



US00D930122S

(12) **United States Design Patent**  
**Caldwell**

(10) **Patent No.:** **US D930,122 S**

(45) **Date of Patent:** **\*\* Sep. 7, 2021**

(54) **TUBING ADAPTER**

(71) Applicant: **Zane Caldwell**, Redmond, OR (US)

(72) Inventor: **Zane Caldwell**, Redmond, OR (US)

(\*\*) Term: **15 Years**

(21) Appl. No.: **29/727,142**

(22) Filed: **Mar. 9, 2020**

(51) **LOC (13) Cl.** ..... **23-01**

(52) **U.S. Cl.**  
USPC ..... **D23/262**

(58) **Field of Classification Search**  
USPC ..... D23/259, 262, 266, 324, 269; 138/28,  
138/108-109, 118, 118.1, 129, 137,  
138/172-174, 121; 285/417-419, 53,  
285/148.2, 239, 316, 321, 369; D24/127,  
D24/129; 604/533, 538  
See application file for complete search history.

5,503,438 A \* 4/1996 Swauger ..... F16L 19/0218  
285/332.2  
D375,357 S \* 11/1996 Silver ..... D24/129  
D530,400 S \* 10/2006 Ostergaard ..... D23/262  
D535,727 S \* 1/2007 Joseph ..... D23/259  
D815,256 S \* 4/2018 Norman ..... D23/259  
D823,444 S \* 7/2018 Hayashi ..... D23/262  
D835,267 S \* 12/2018 Gilbert ..... D24/129  
D871,560 S \* 12/2019 Davey ..... D23/262  
D886,994 S \* 6/2020 Lundkvist ..... D24/129  
2014/0339816 A1 \* 11/2014 Peirce ..... F16L 33/223  
285/247

\* cited by examiner

*Primary Examiner* — Amy C Wierenga

(74) *Attorney, Agent, or Firm* — Donn K Harms

(57) **CLAIM**

The ornamental design for a tubing adapter, as shown and described.

(56) **References Cited**

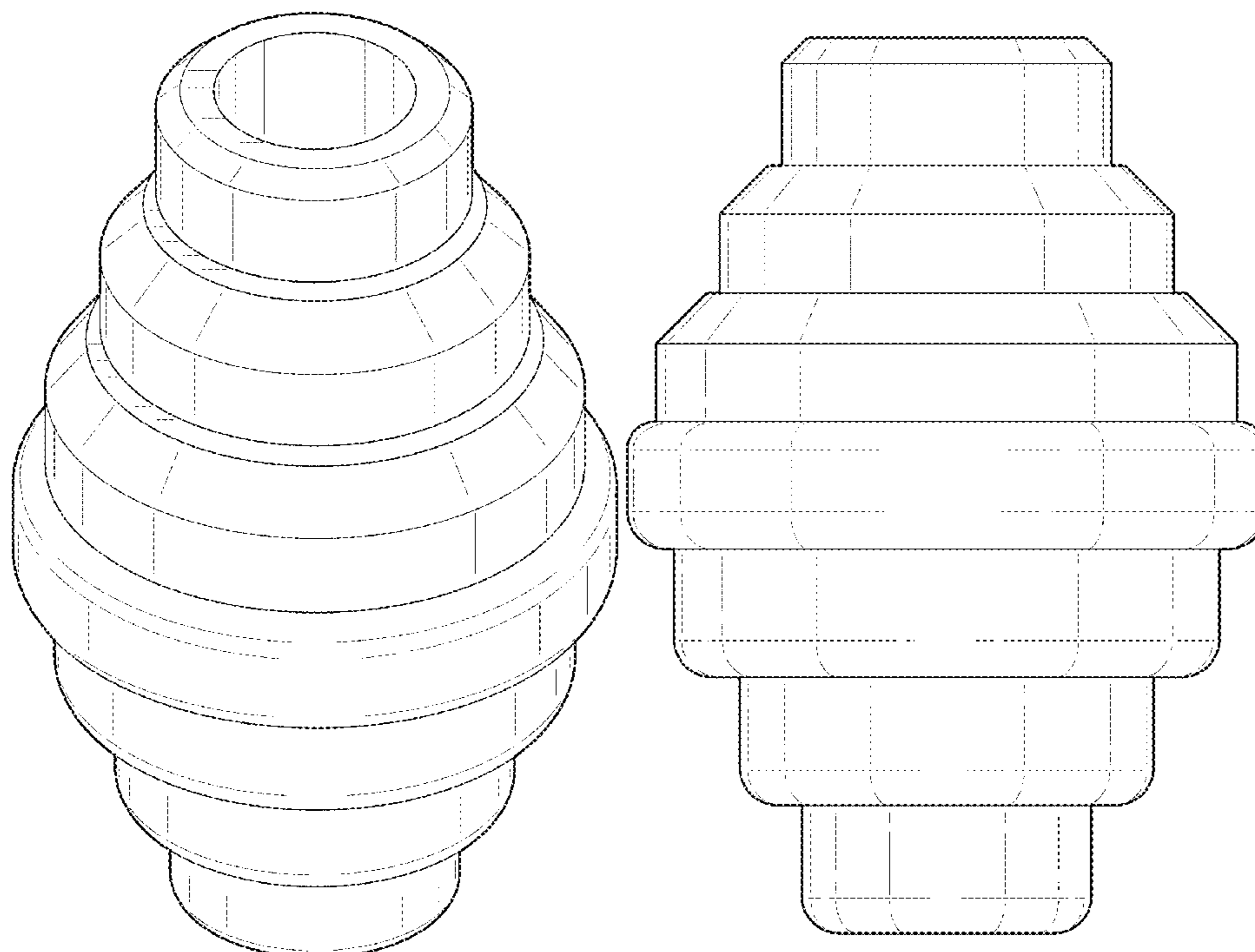
U.S. PATENT DOCUMENTS

2,470,359 A \* 5/1949 McLean ..... F16L 21/005  
285/109  
2,702,200 A \* 2/1955 Ruisaburo ..... F16L 37/53  
285/98  
3,668,918 A \* 6/1972 Benteler ..... B60B 35/08  
72/364  
D282,962 S \* 3/1986 Gerber ..... 285/239  
D296,559 S \* 7/1988 Drabinski ..... D15/140  
4,770,445 A \* 9/1988 Steer et al. .... A61F 5/4405  
285/110  
5,332,267 A \* 7/1994 Harrison ..... F16L 27/047  
285/23

**DESCRIPTION**

FIG. 1 is a top perspective view of a tubing adapter showing my new design;  
FIG. 2 is a bottom perspective view thereof;  
FIG. 3 is front side view thereof;  
FIG. 4 is a rear side view thereof;  
FIG. 5 is a right side view thereof;  
FIG. 6 is a left side view thereof;  
FIG. 7 it a top view thereof; and,  
FIG. 8 is a bottom view thereof.

**1 Claim, 8 Drawing Sheets**



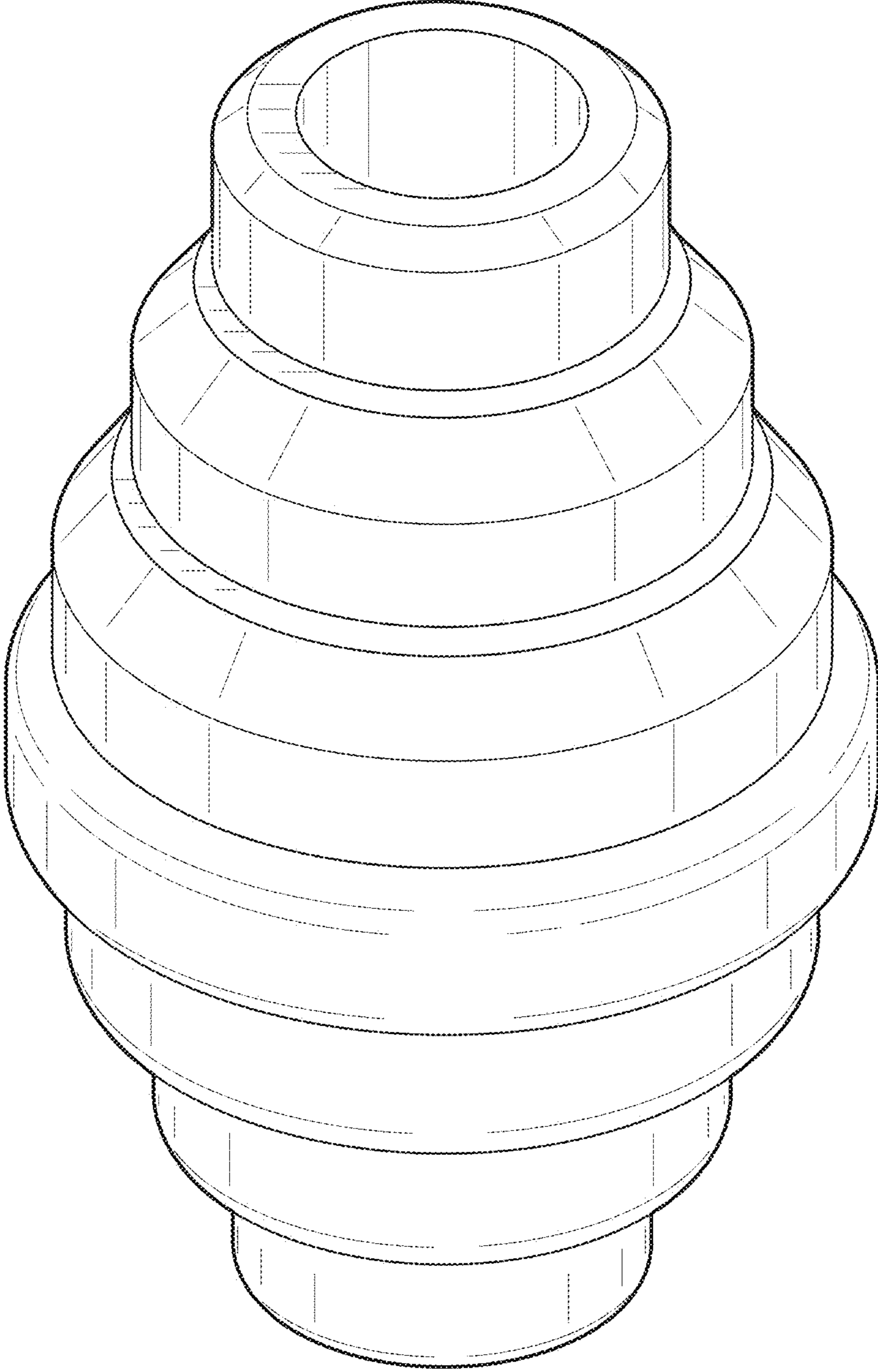


FIG. 1

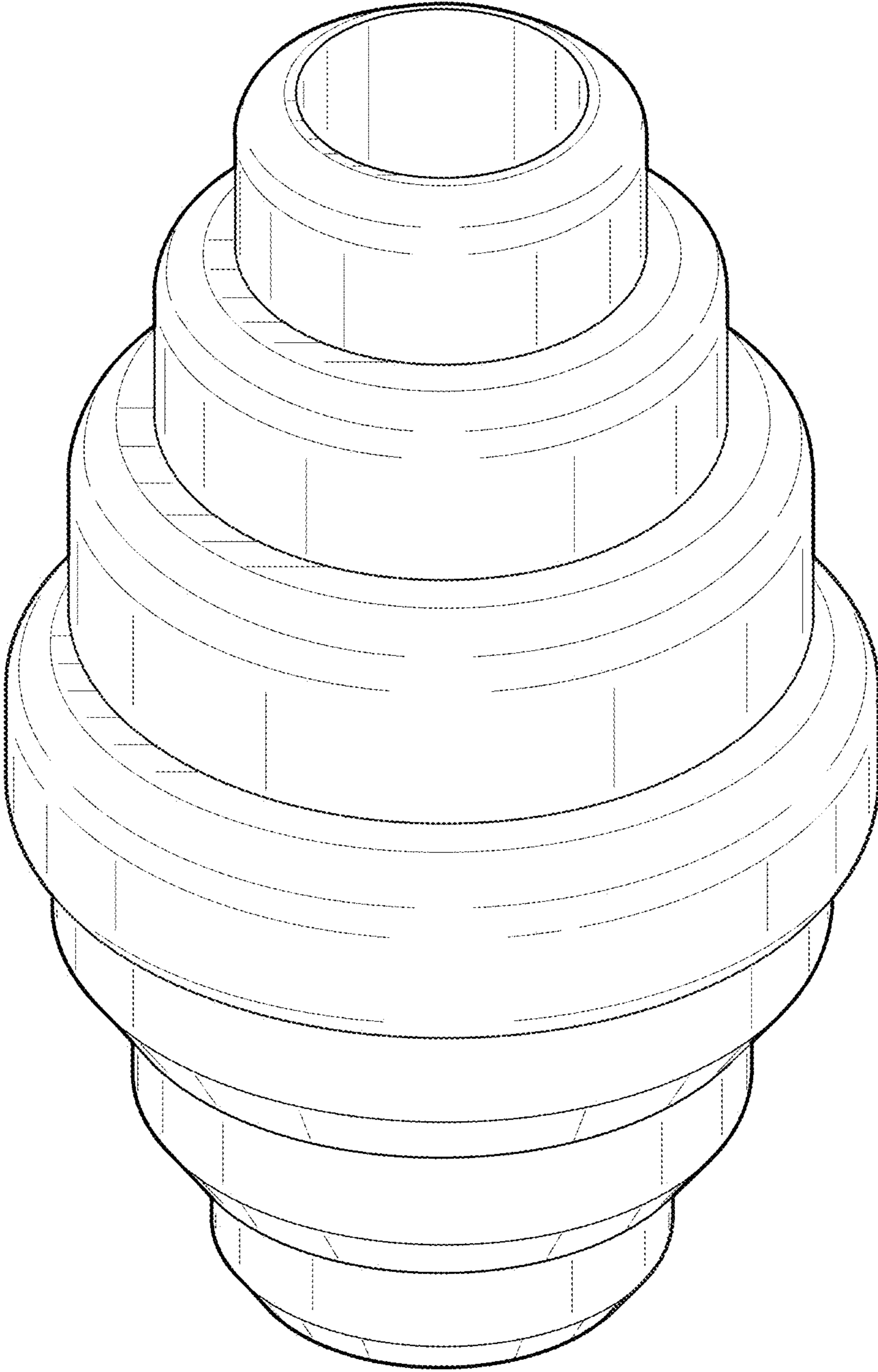


FIG. 2

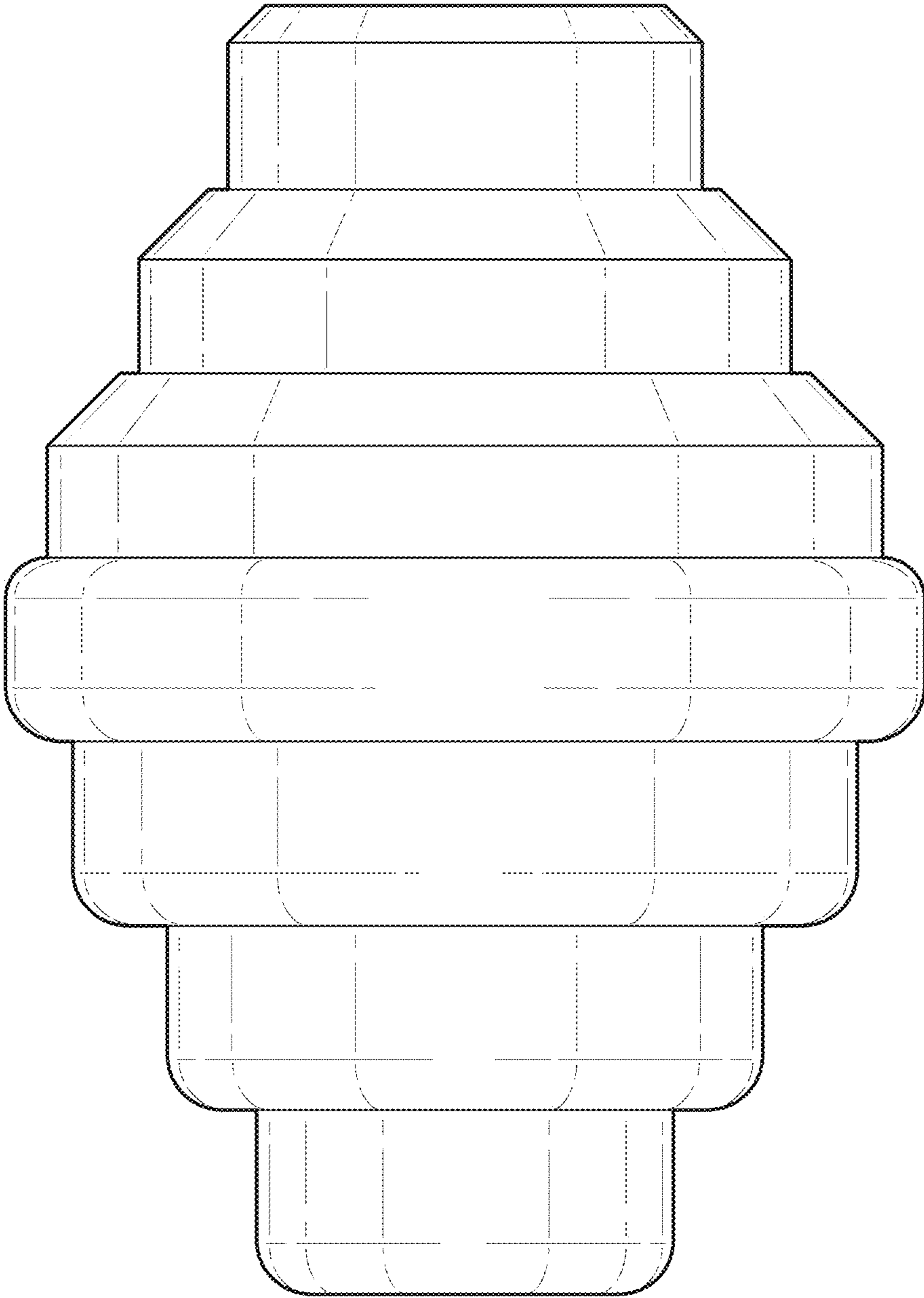


FIG. 3

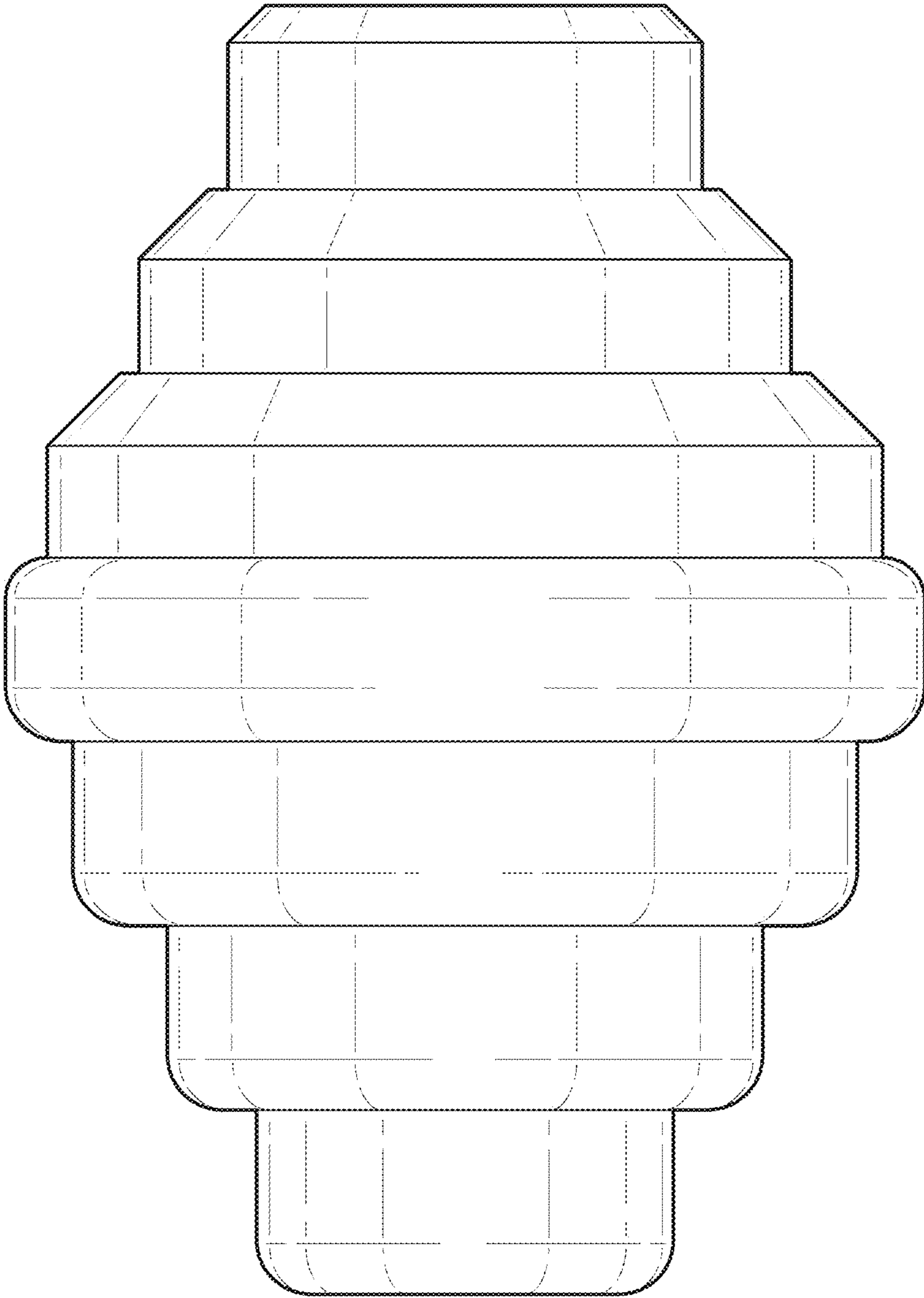


FIG. 4



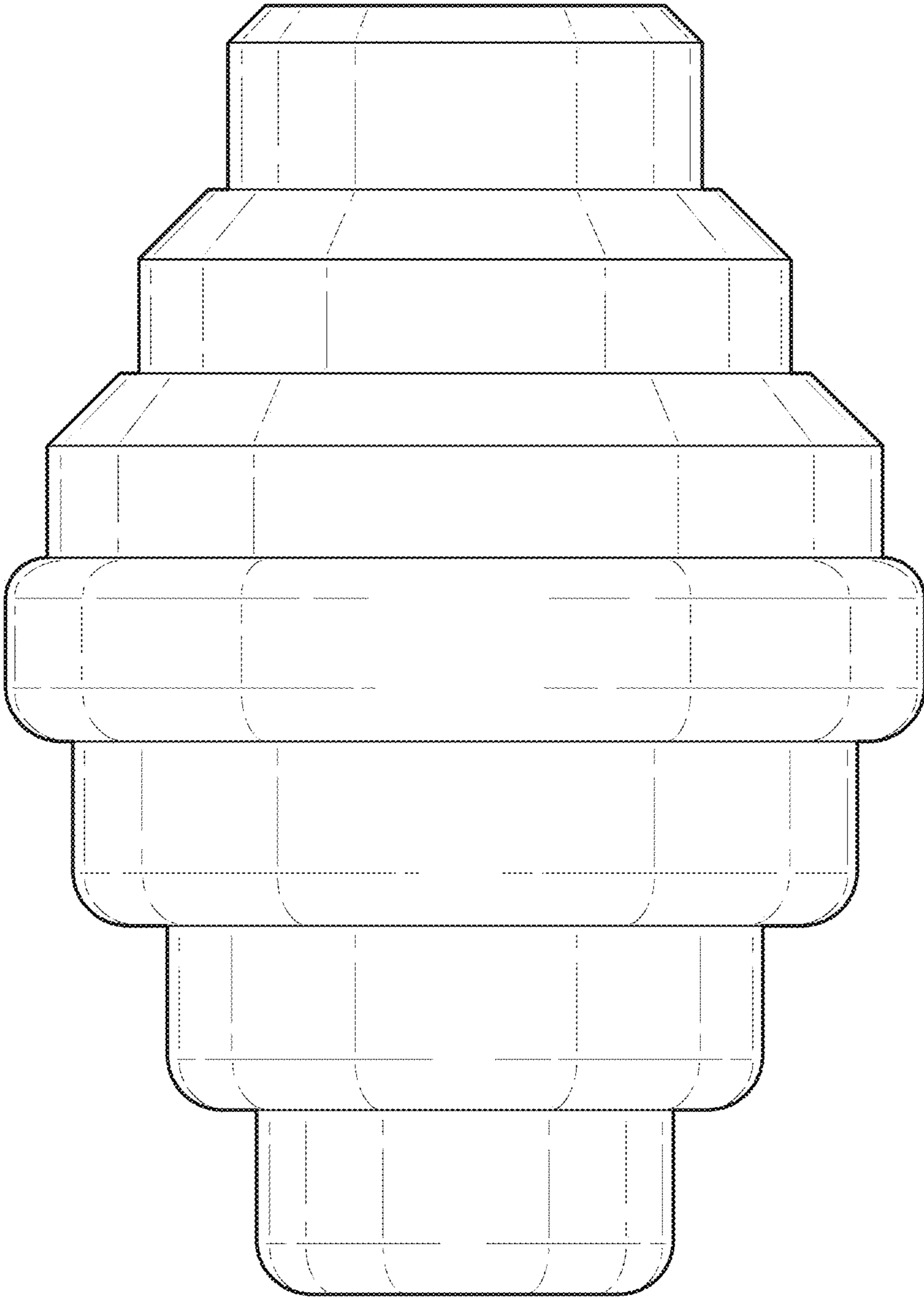


FIG. 5

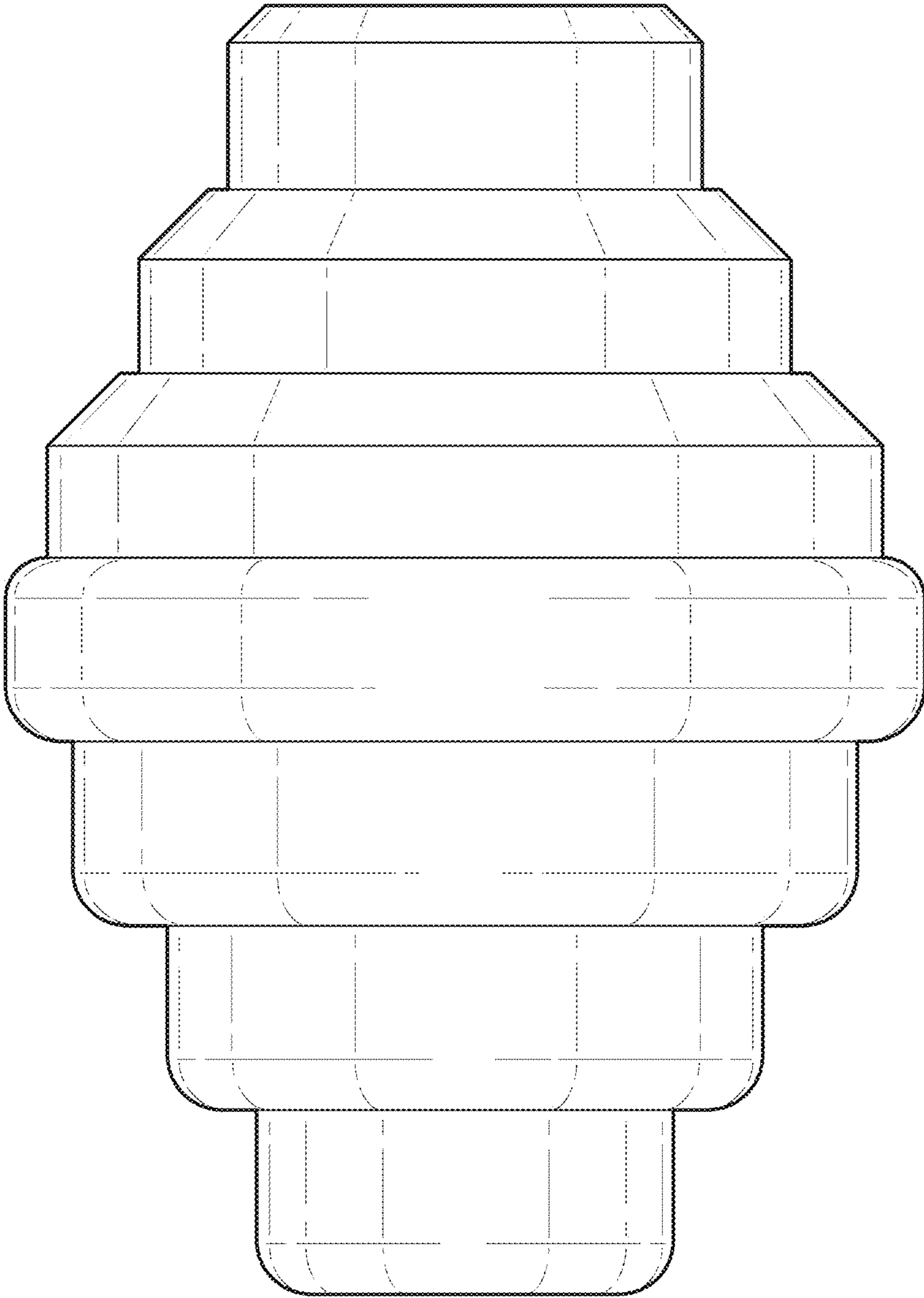


FIG. 6

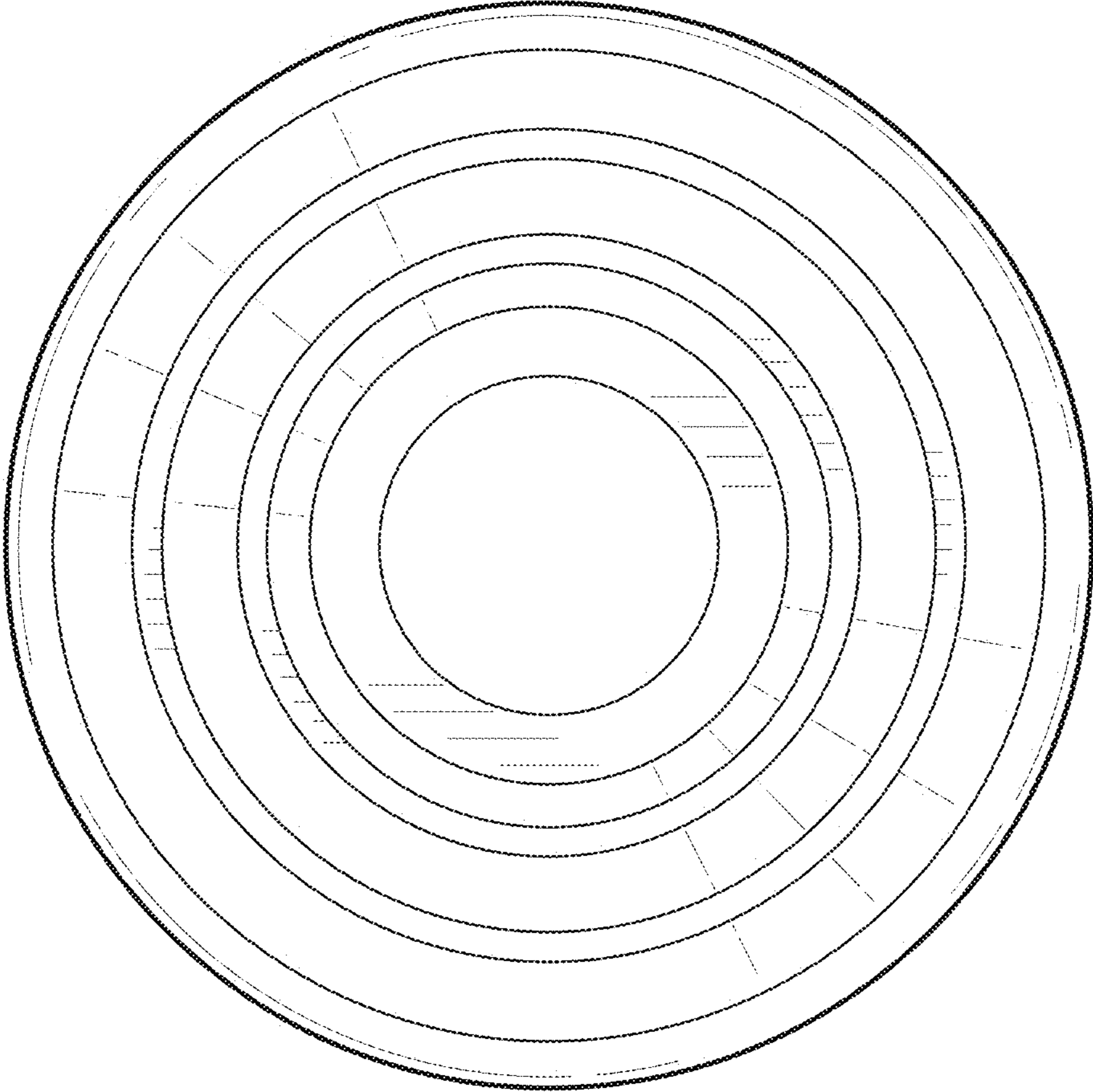


FIG. 7



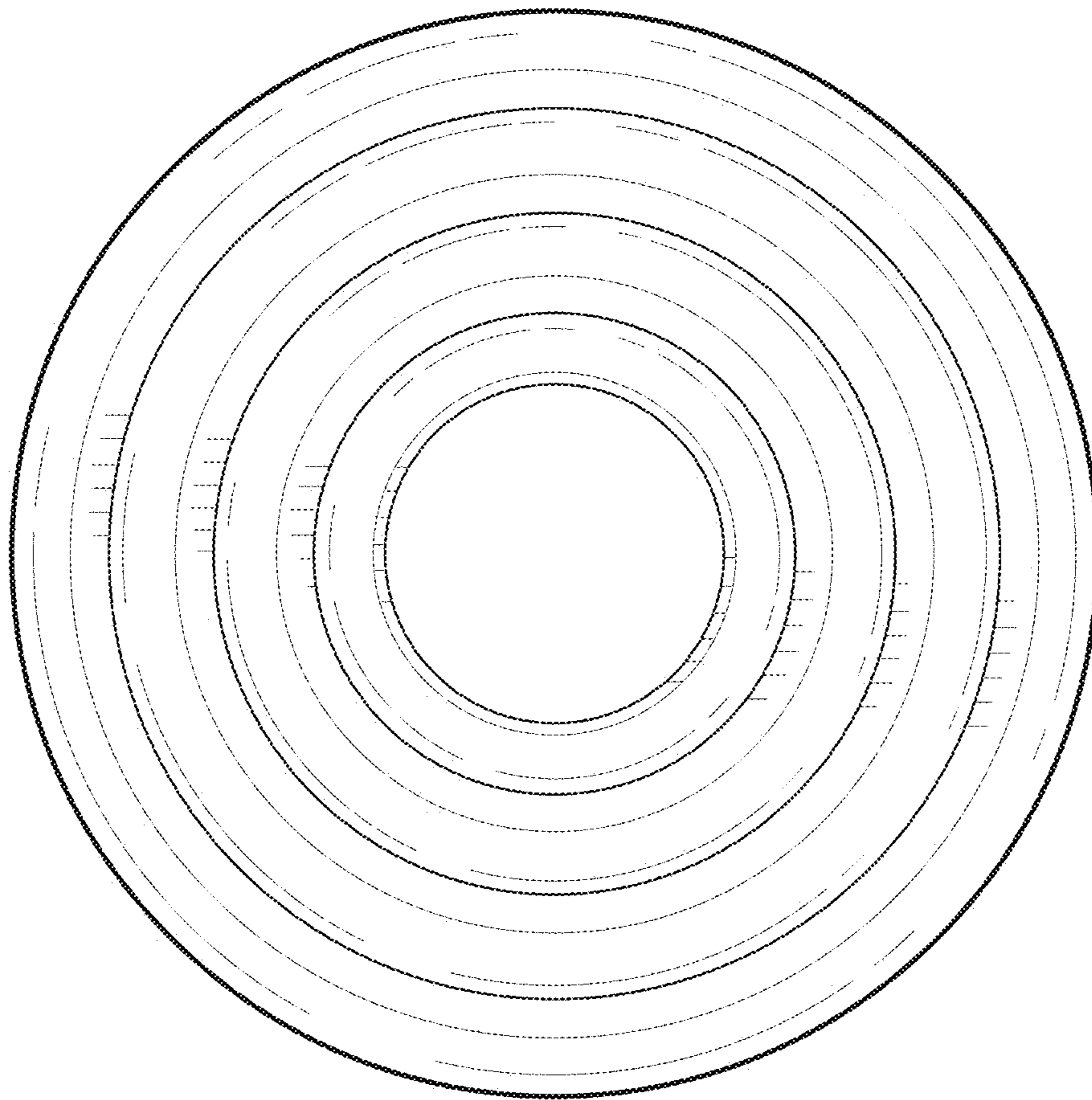


FIG. 8