



US00D930121S

(12) **United States Design Patent**  
**Zhang**

(10) **Patent No.:** **US D930,121 S**

(45) **Date of Patent:** **\*\* Sep. 7, 2021**

(54) **BATHTUB SPOUT**

(71) Applicant: **Xinrui Zhang**, Kaiping (CN)

(72) Inventor: **Xinrui Zhang**, Kaiping (CN)

(\*\*) Term: **15 Years**

(21) Appl. No.: **29/720,164**

(22) Filed: **Jan. 10, 2020**

(51) **LOC (13) Cl.** ..... **23-01**

(52) **U.S. Cl.**  
USPC ..... **D23/255**

(58) **Field of Classification Search**

USPC ..... D23/257, 249, 254, 259, 255, 233, 234,  
D23/235, 236, 237, 238, 239, 240, 241,  
D23/242, 243, 244, 245, 246, 247, 248,  
D23/250, 251, 252, 253, 256  
CPC ..... E03C 1/01; E03C 1/0409; E03C 1/025;  
E03C 1/0408; Y10T 137/5339; Y10T  
137/6014; Y10T 137/6021

See application file for complete search history.

(56) **References Cited**

**U.S. PATENT DOCUMENTS**

D463,014 S *	9/2002	Lord	.....	D23/255
D463,536 S *	9/2002	Lord	.....	D23/255
D467,321 S *	12/2002	Otero	.....	D23/257
D574,062 S *	7/2008	Kohler, Jr.	.....	D23/255
D590,051 S *	4/2009	Huang	.....	D23/255
D601,670 S *	10/2009	Corbett	.....	D23/255
D612,460 S *	3/2010	Yang	.....	D23/257
D626,634 S *	11/2010	Lammel	.....	D23/255
D639,913 S *	6/2011	Jones	.....	D23/255
D639,914 S *	6/2011	Jones	.....	D23/256

D687,931 S *	8/2013	Flowers	.....	D23/255
D720,433 S *	12/2014	Fritz	.....	D23/255
D754,302 S *	4/2016	Choi	.....	D23/257
D790,671 S *	6/2017	Zhang	.....	D23/257
D817,461 S *	5/2018	Downey	.....	D23/255
D838,815 S *	1/2019	Sedwick	.....	D23/257

**FOREIGN PATENT DOCUMENTS**

CA 175780 \* 7/2017

\* cited by examiner

*Primary Examiner* — Sheryl Lane

*Assistant Examiner* — Samantha N Wood

(74) *Attorney, Agent, or Firm* — Rमित Ranjit Kanakia

(57) **CLAIM**

I claim the ornamental design for a bathtub spout, as shown and described.

**DESCRIPTION**

FIG. 1 is a perspective view of a bathtub spout showing my new design;

FIG. 2 is another perspective view thereof;

FIG. 3 is a front view thereof;

FIG. 4 is a back view thereof;

FIG. 5 is a right-side view thereof;

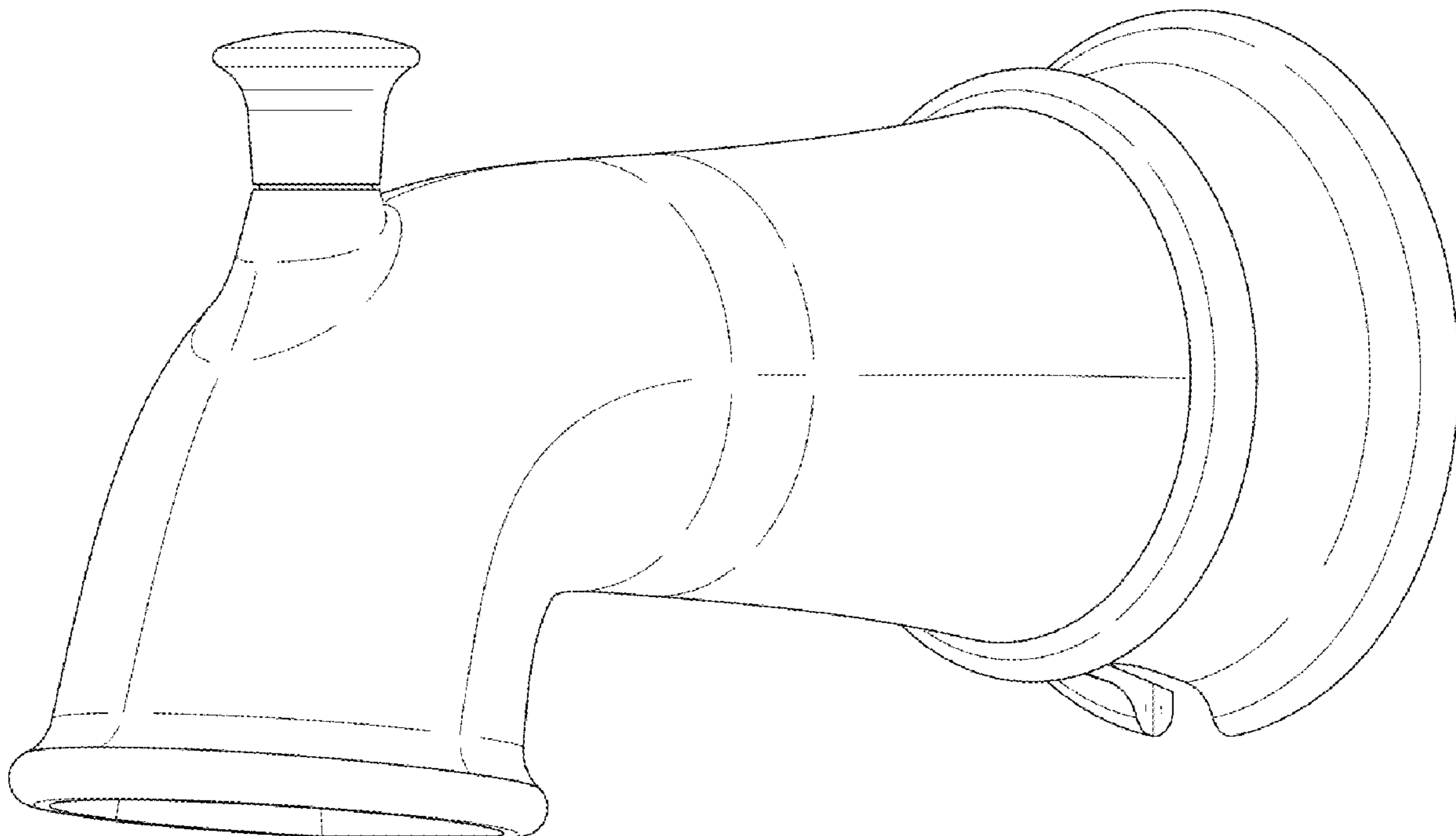
FIG. 6 is a left-side view thereof;

FIG. 7 is a top view thereof; and,

FIG. 8 is a bottom view thereof.

The broken lines are only for environmental purposes and form no part of the claimed design.

**1 Claim, 8 Drawing Sheets**



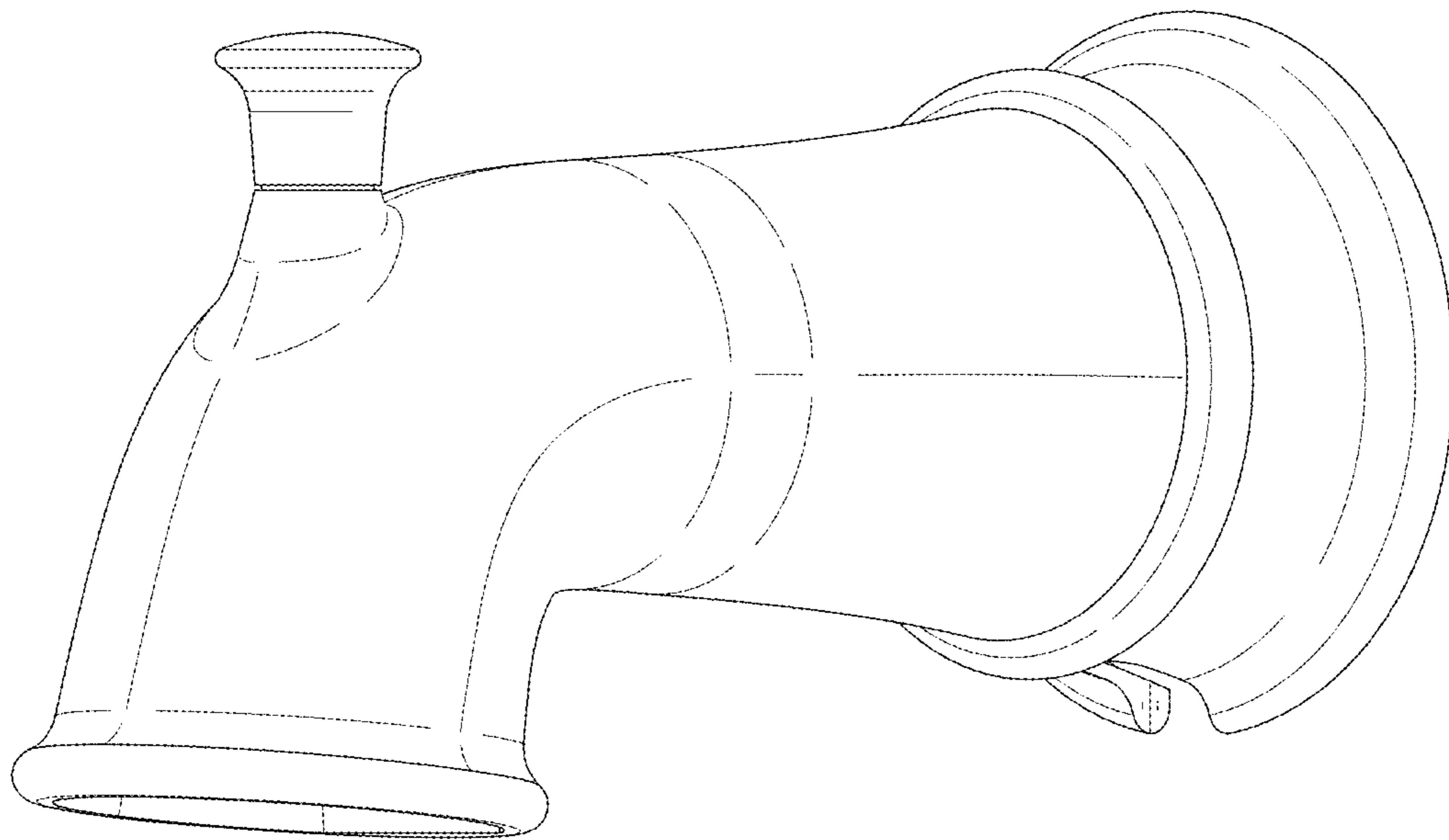


FIG. 1

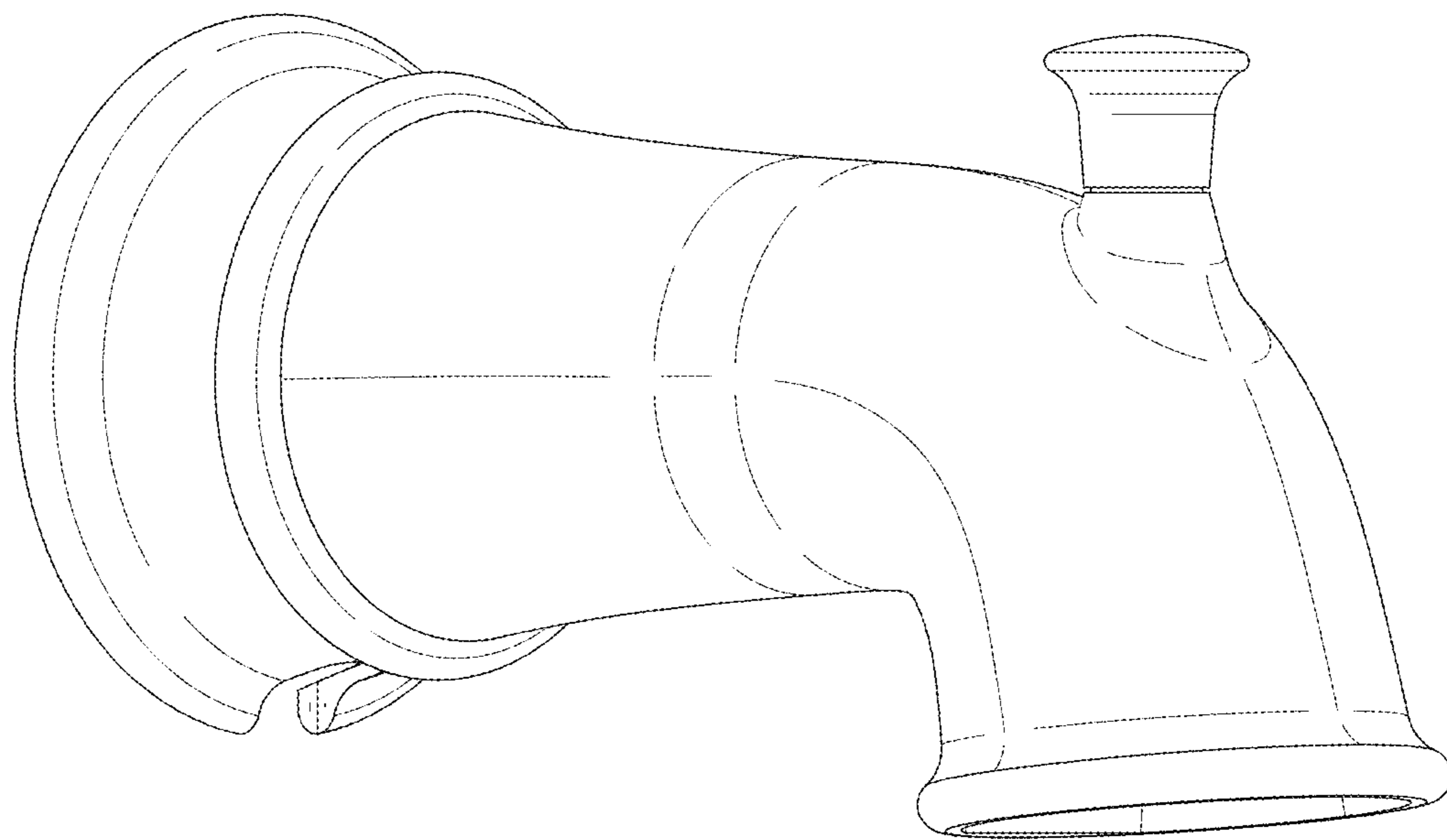


FIG. 2

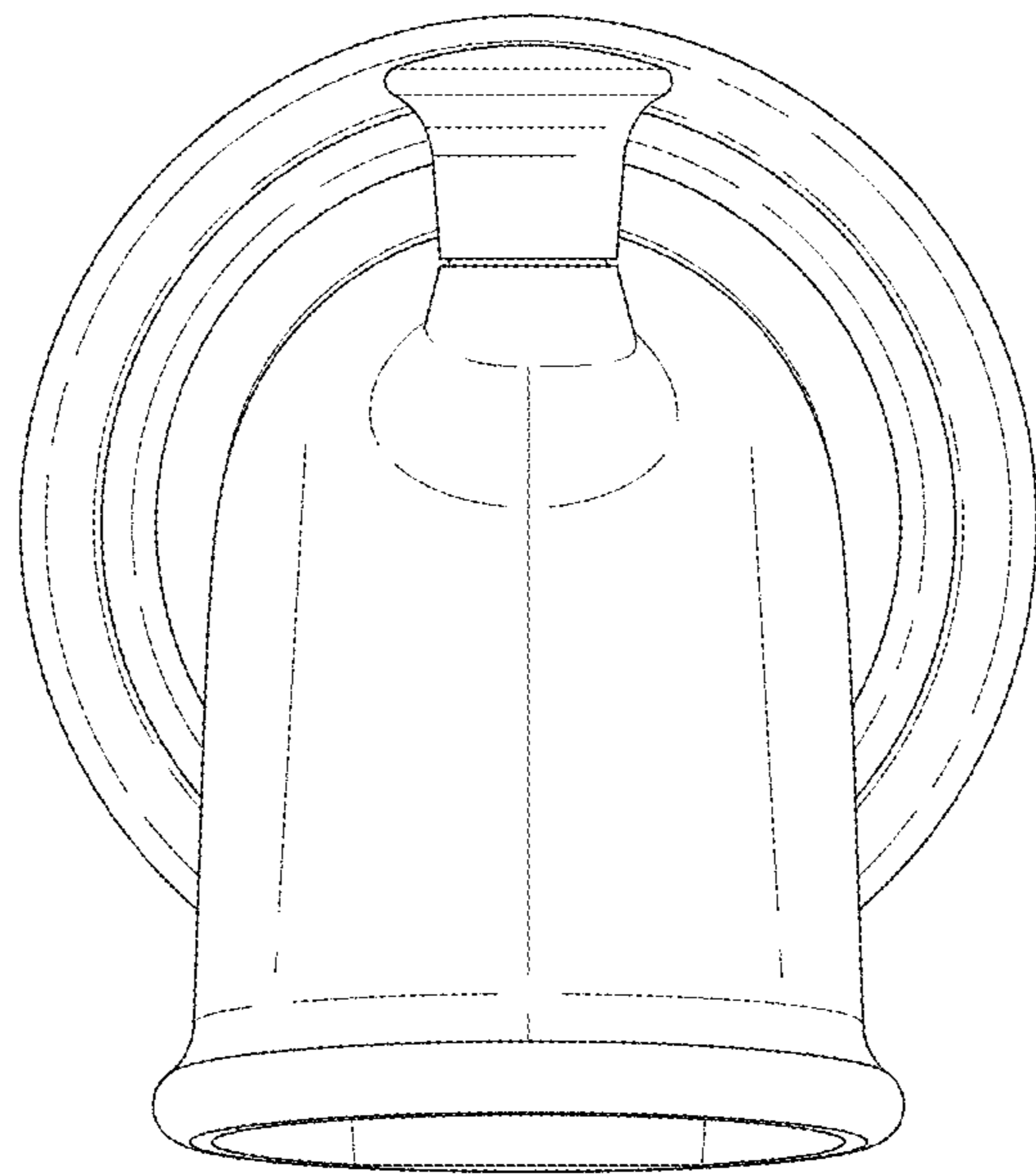


FIG. 3

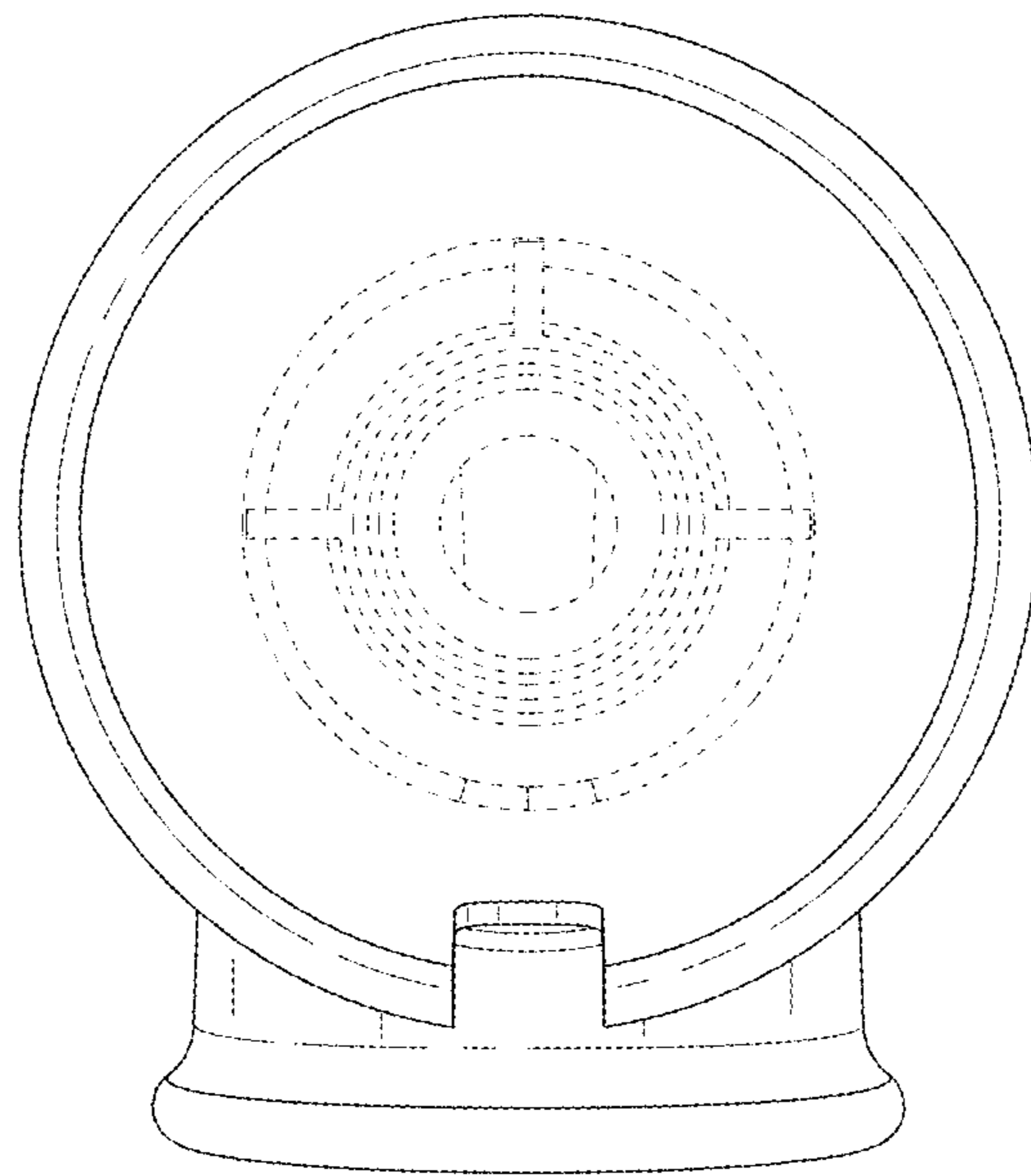


FIG. 4

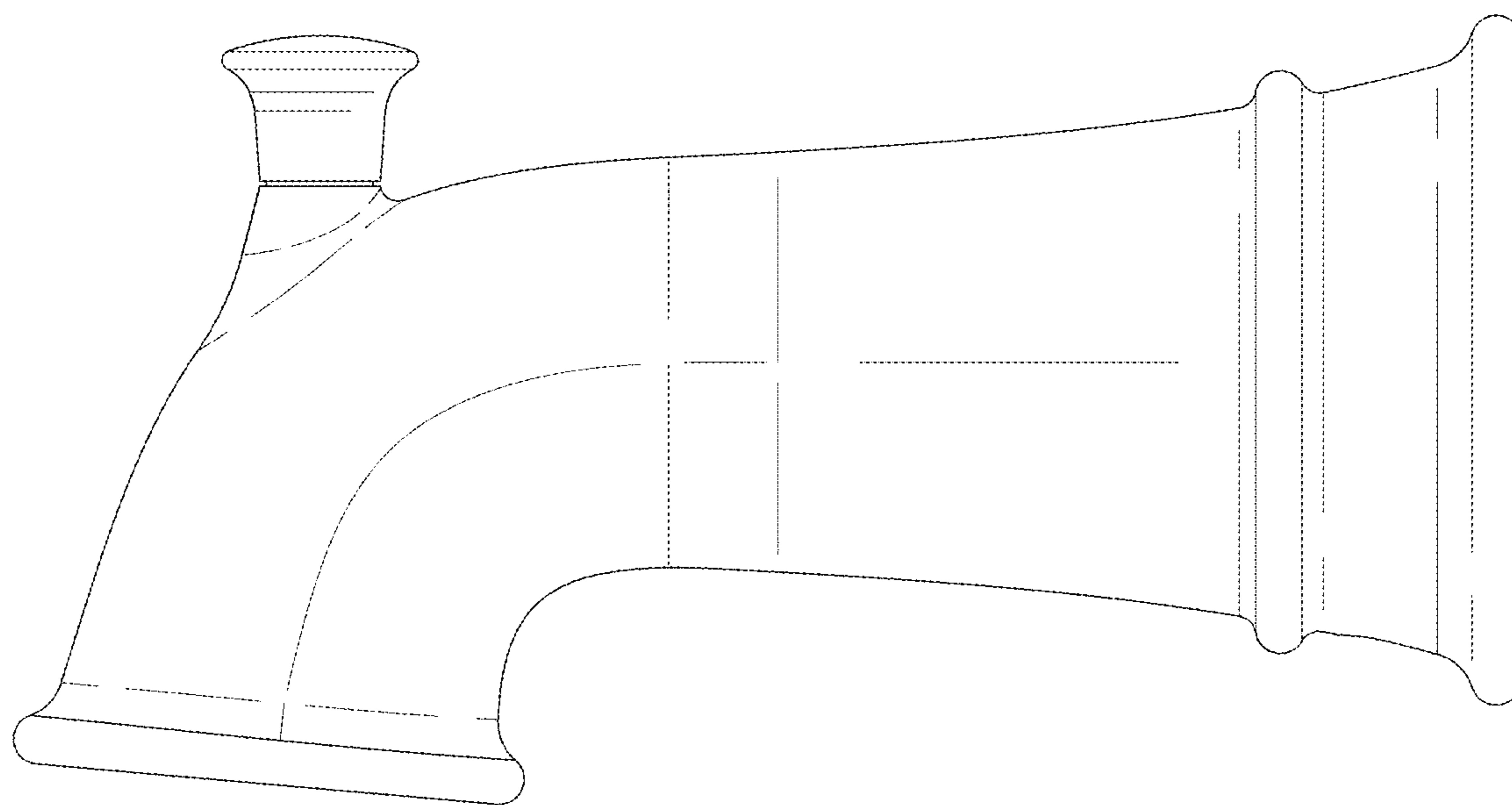


FIG. 5

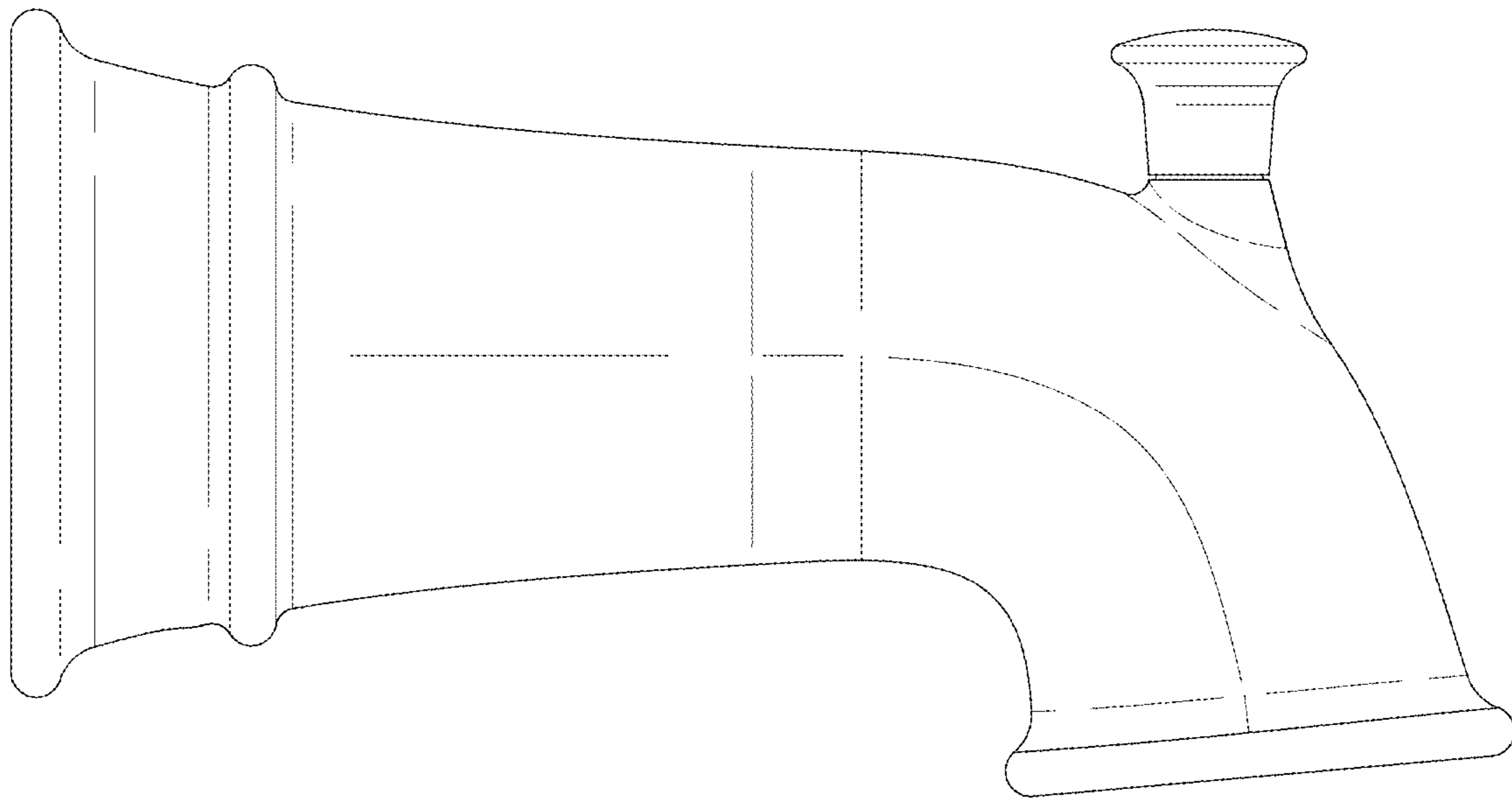


FIG. 6

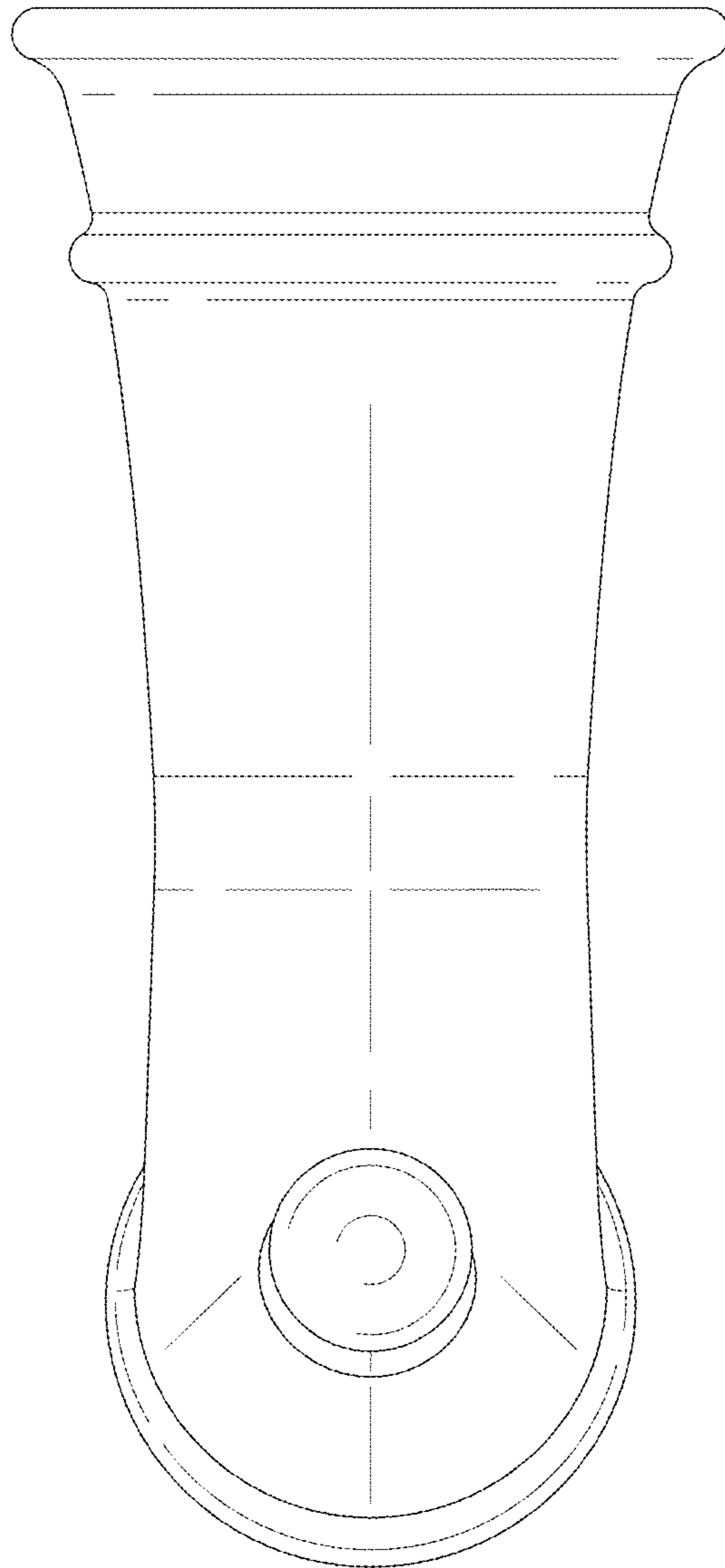


FIG. 7



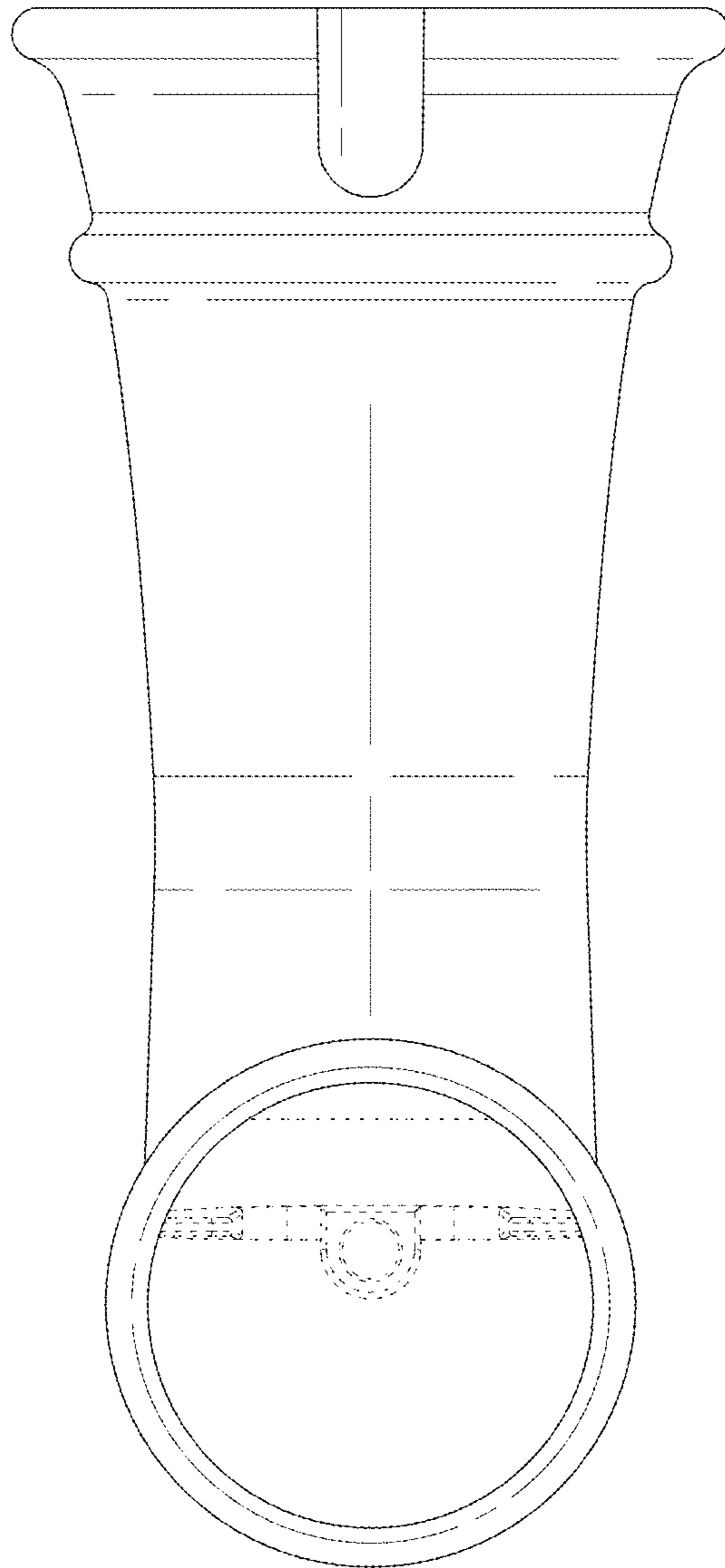


FIG. 8