



US00D930120S

(12) **United States Design Patent** (10) **Patent No.:** **US D930,120 S**  
**Park** (45) **Date of Patent:** **\*\* Sep. 7, 2021**

(54) **FAUCET HANDLE**

D859,597 S \* 9/2019 Eads ..... D23/252  
 D882,736 S \* 4/2020 Eads ..... D23/252  
 2019/0271140 A1\* 9/2019 Davidson ..... E03C 1/0412

(71) Applicant: **DELTA FAUCET COMPANY,**  
Indianapolis, IN (US)

\* cited by examiner

(72) Inventor: **Maris Park,** McCordsville, IN (US)

*Primary Examiner* — Robert A Delehanty

(73) Assignee: **DELTA FAUCET COMPANY,**  
Indianapolis, IN (US)

(74) *Attorney, Agent, or Firm* — Nirav D. Parikh; Edgar  
A. Zarins

(\*\*) Term: **15 Years**

(57) **CLAIM**

(21) Appl. No.: **29/719,540**

The ornamental design for a faucet handle, as shown and described.

(22) Filed: **Jan. 6, 2020**

(51) **LOC (13) Cl.** ..... **23-01**

(52) **U.S. Cl.**  
USPC ..... **D23/252**

**DESCRIPTION**

(58) **Field of Classification Search**  
USPC ..... D23/238–243, 250, 252, 254; D8/300,  
D8/307

FIG. 1 is a front perspective view of a faucet handle showing my new design;  
 FIG. 2 is a rear perspective view thereof;  
 FIG. 3 is a front elevational view thereof;  
 FIG. 4 is a left side view thereof;  
 FIG. 5 is a rear view thereof;  
 FIG. 6 is a right side view thereof; and,  
 FIG. 7 is a top plan view thereof.

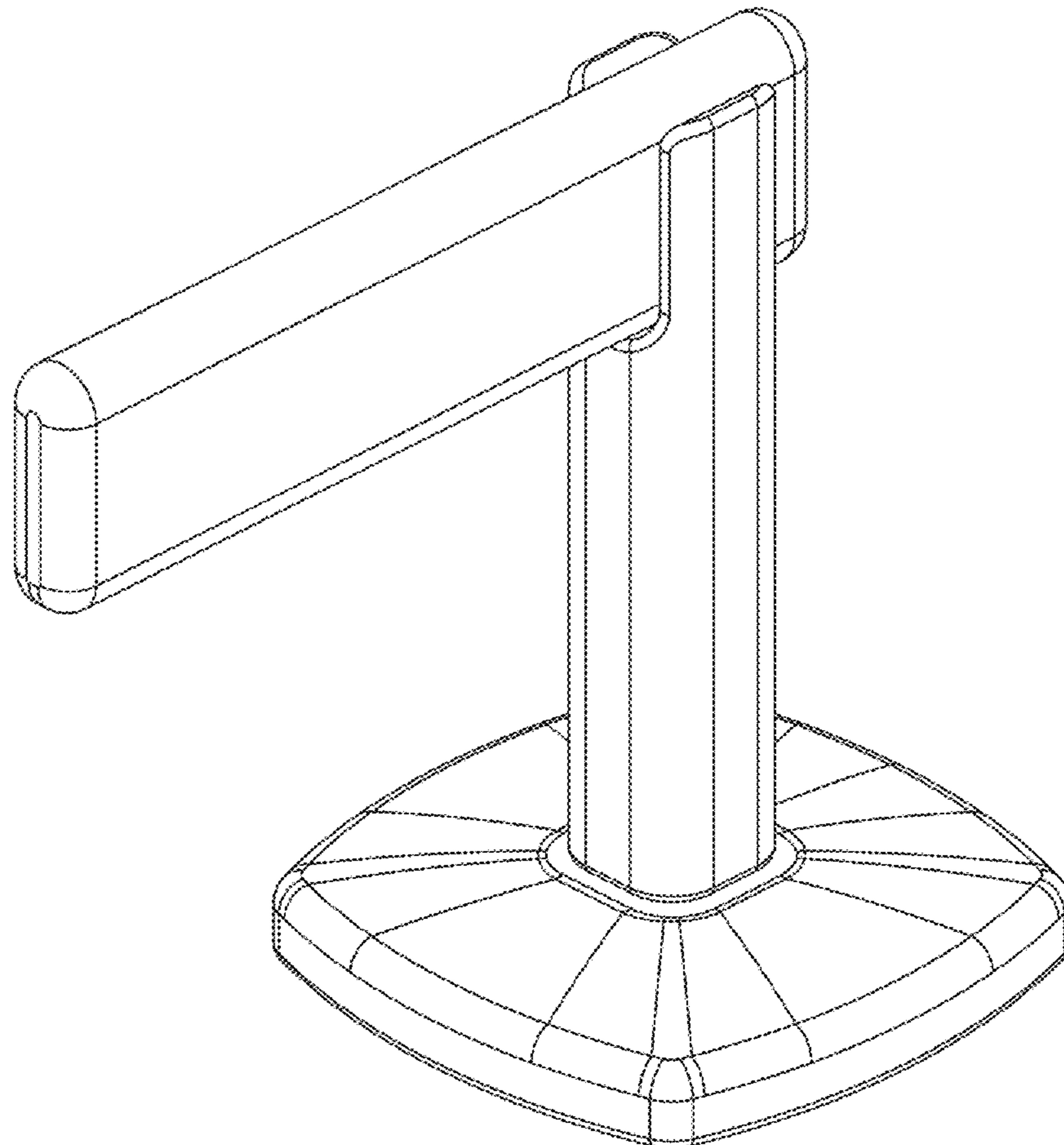
See application file for complete search history.

(56) **References Cited**

**U.S. PATENT DOCUMENTS**

D581,020 S \* 11/2008 Dolan ..... D23/250

**1 Claim, 4 Drawing Sheets**



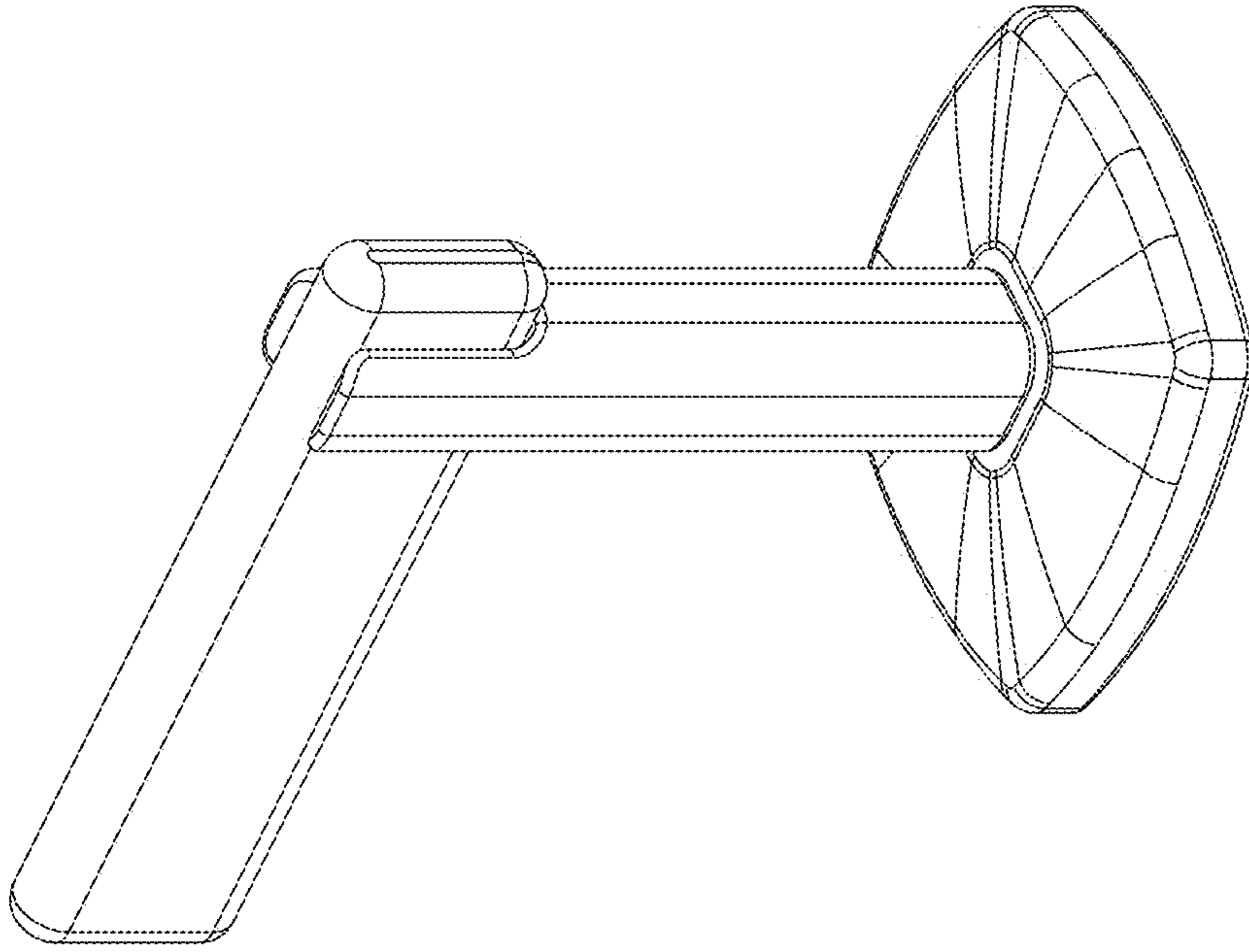


Fig - 2

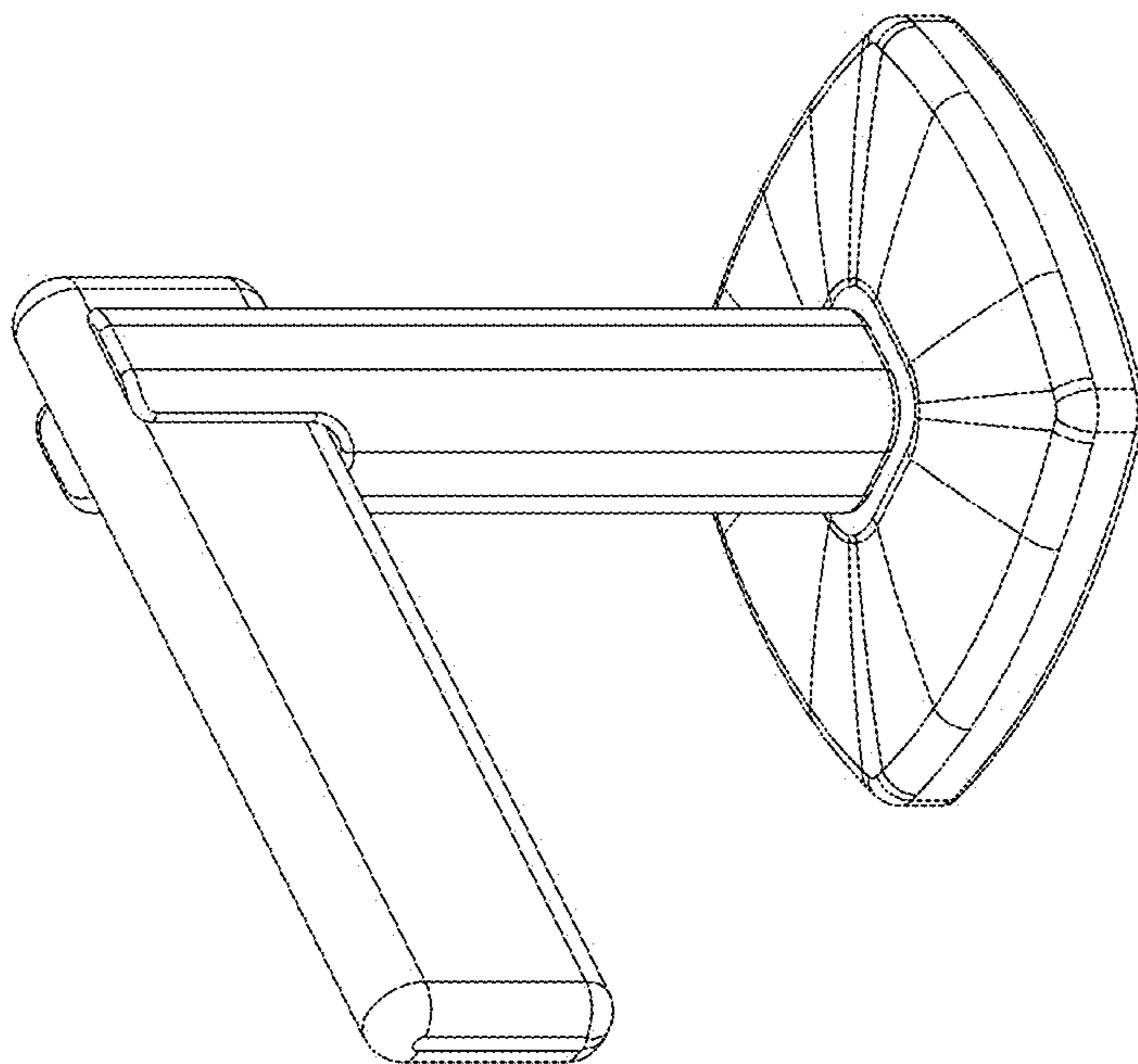


Fig - 1

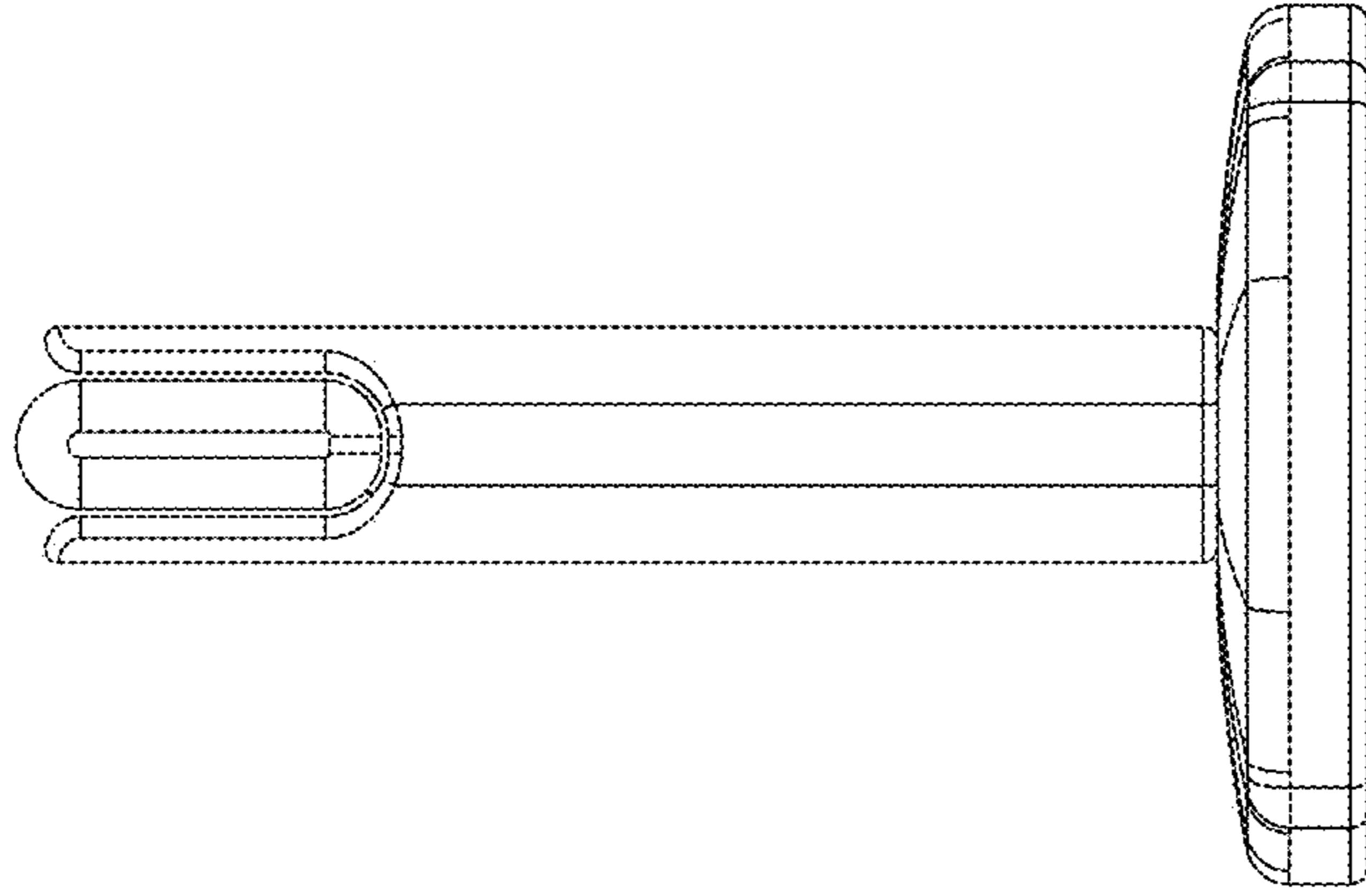


Fig - 4

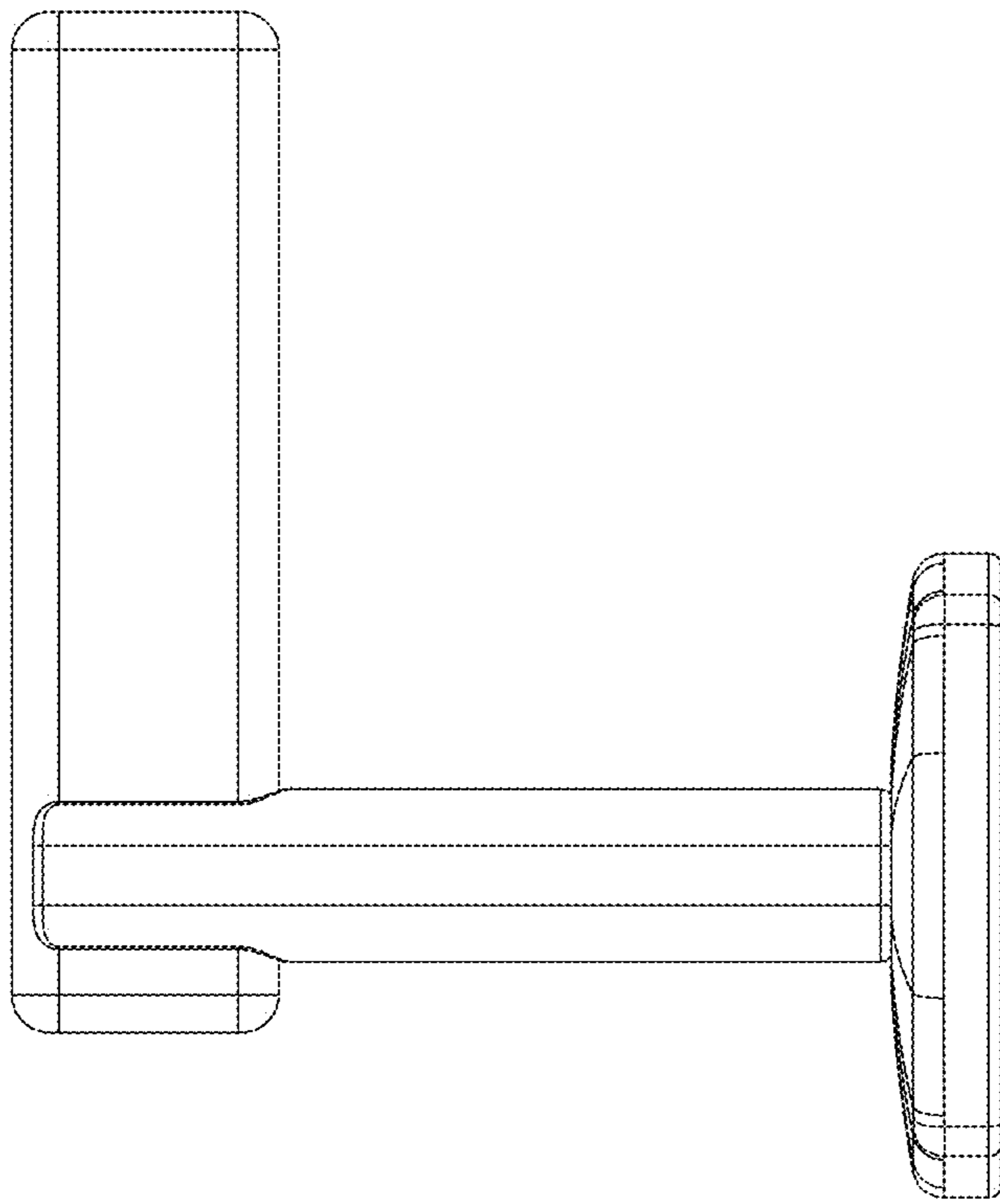


Fig - 3

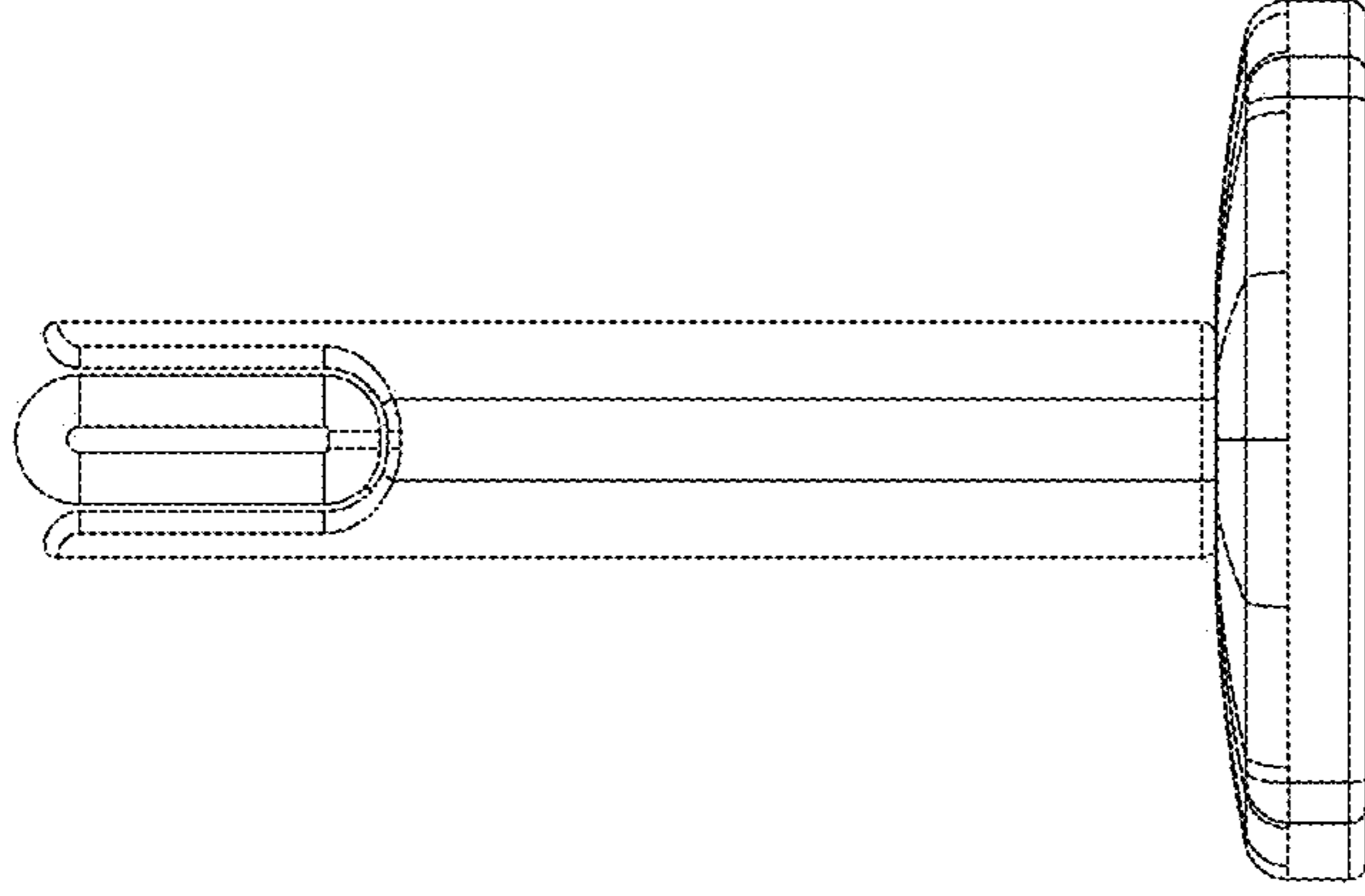


Fig - 6

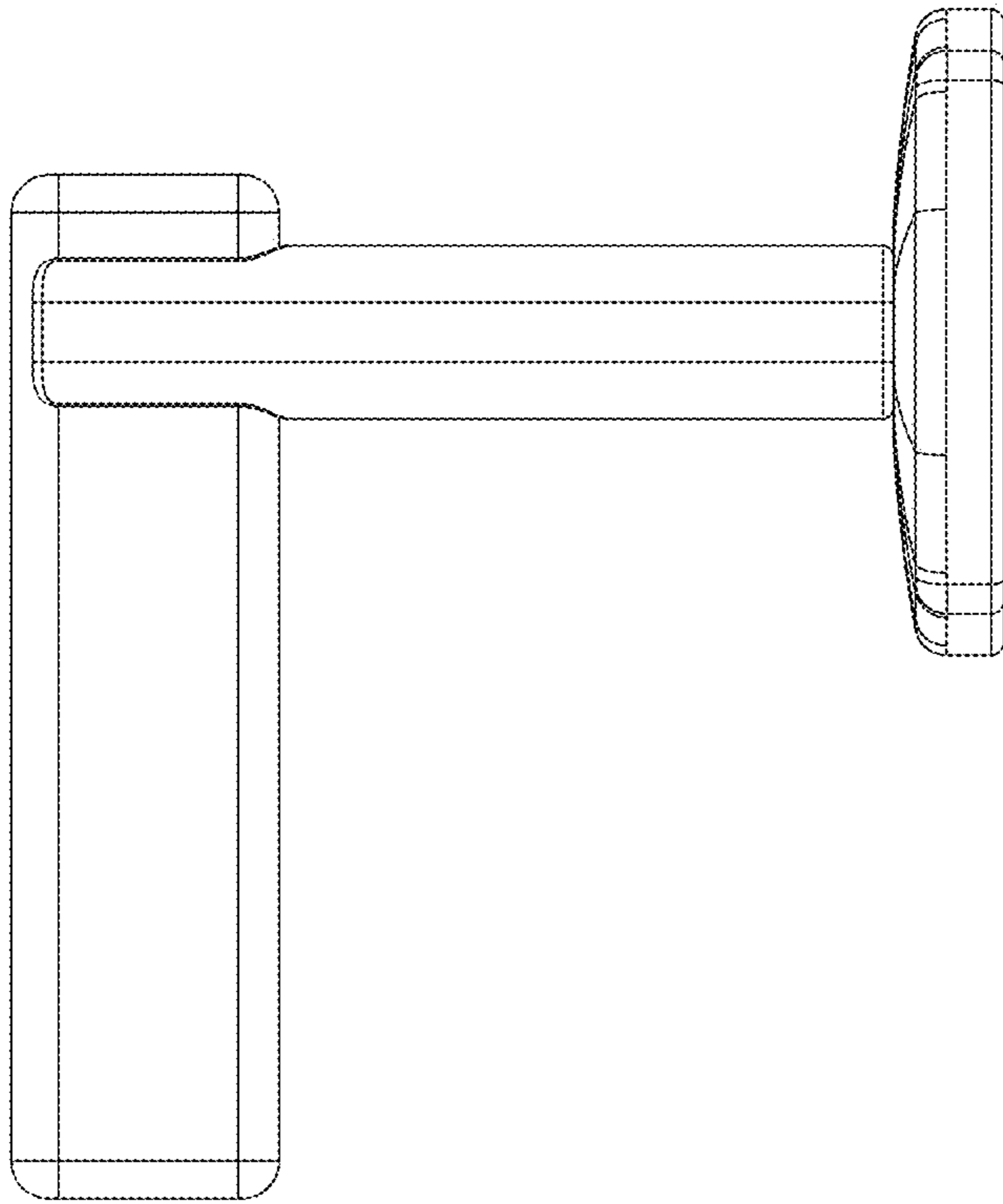


Fig - 5

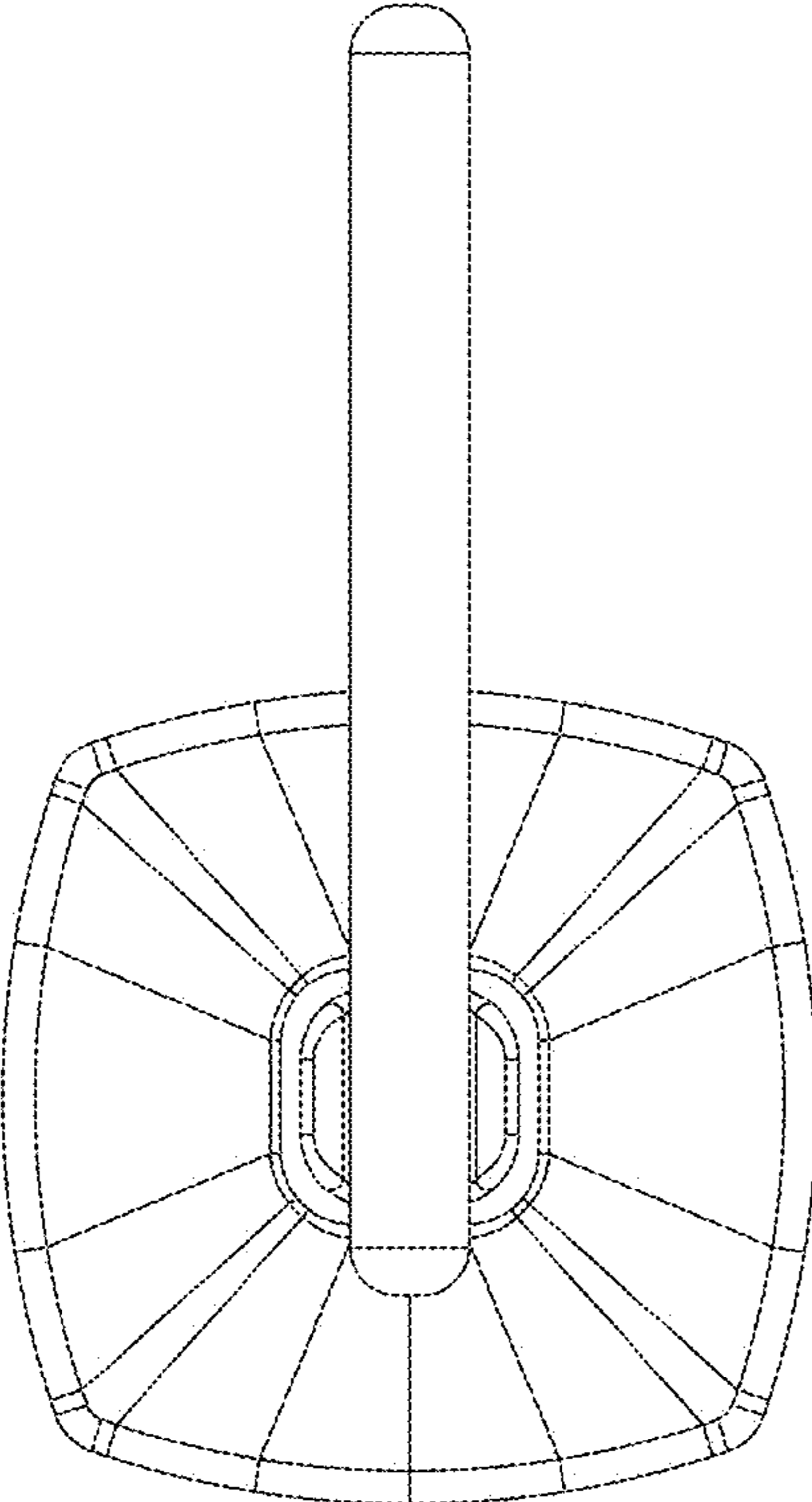


Fig - 7