



US00D930119S

(12) **United States Design Patent** (10) **Patent No.:** **US D930,119 S**
Rueda Calvet (45) **Date of Patent:** **** Sep. 7, 2021**

(54) **SELF-SEALING VALVE FOR AN INFLATABLE BODY**

(71) Applicant: **Jose Luis Rueda Calvet**, Retalhuleu (GT)

(72) Inventor: **Jose Luis Rueda Calvet**, Retalhuleu (GT)

(**) Term: **15 Years**

(21) Appl. No.: **29/773,210**

(22) Filed: **Mar. 8, 2021**

(30) **Foreign Application Priority Data**

Jan. 29, 2021 (EM) 008418925-0001

(51) **LOC (13) Cl.** **23-01**

(52) **U.S. Cl.**
USPC **D23/248**

(58) **Field of Classification Search**
USPC D23/233, 248, 249
CPC B60C 23/0496; B60C 29/005; B60C 23/0494; F16K 15/20; F16K 15/202; F16K 15/205; A61M 25/10186; A61M 25/1018; A61M 25/1027; A61M 2025/0076; A61M 2025/0018; A61M 2025/1054; A61M 39/24; A61M 39/26; A63H 2027/1083; A63H 2027/1033
See application file for complete search history.

(56) **References Cited**

U.S. PATENT DOCUMENTS

4,708,167 A * 11/1987 Koyanagi F16K 15/147 137/512.15
D303,026 S * 8/1989 Kilakis D32/32
4,917,646 A 4/1990 Kieves
5,188,558 A 2/1993 Barton et al.

5,295,892 A 3/1994 Felton
5,860,441 A 1/1999 Garcia
6,736,793 B2 5/2004 Meyer et al.
D526,102 S * 8/2006 Adams D32/32
7,395,833 B2 * 7/2008 Nakamura F16K 15/147 137/223
8,579,744 B2 * 11/2013 Chou F16K 15/202 473/611
8,727,829 B2 5/2014 Halliburton
10,369,601 B2 * 8/2019 Davis B08B 9/035

FOREIGN PATENT DOCUMENTS

CN 201710967 U 1/2011
WO WO2008127108 A1 10/2008

* cited by examiner

Primary Examiner — Gino Colan

(74) *Attorney, Agent, or Firm* — Eugenio J. Torres-Oyola; Victor M. Rodriguez-Reyes; Rafael Rodriguez-Muriel

(57) **CLAIM**

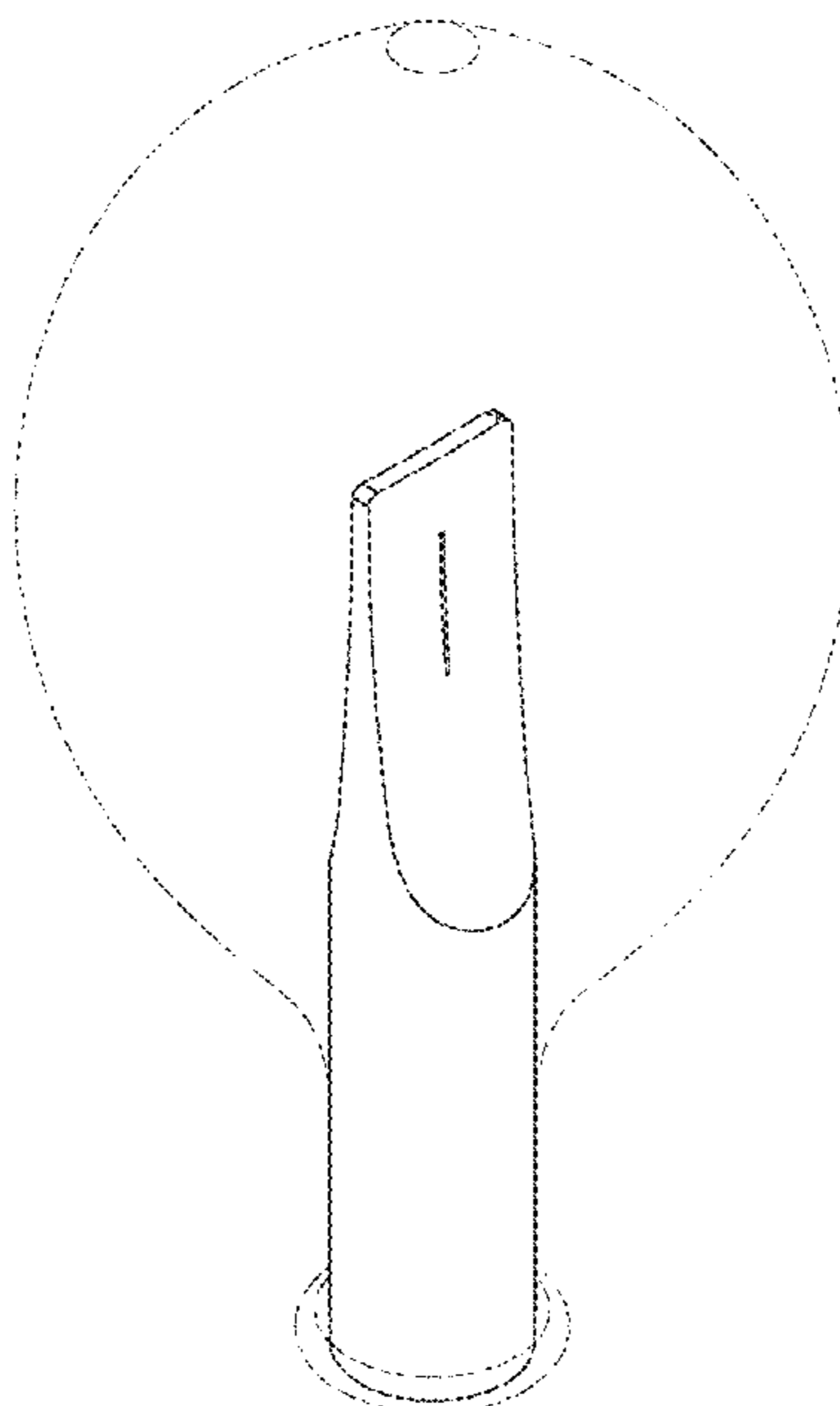
The ornamental design for a self-sealing valve for an inflatable body, as shown and described.

DESCRIPTION

FIG. 1 is a front isometric view of the self-sealing valve of the present invention;
FIG. 2 is a front view thereof;
FIG. 3 is a top view thereof;
FIG. 4 is a right-side view thereof;
FIG. 5 is a rear view thereof, symmetrical to said front view;
FIG. 6 is a bottom view thereof; and,
FIG. 7 is a left view thereof, symmetrical to said right-side view.

The broken lines shown in the drawings are for the purpose of illustrating portions of the self-sealing valve for an inflatable body and form no part of the claimed design.

1 Claim, 7 Drawing Sheets



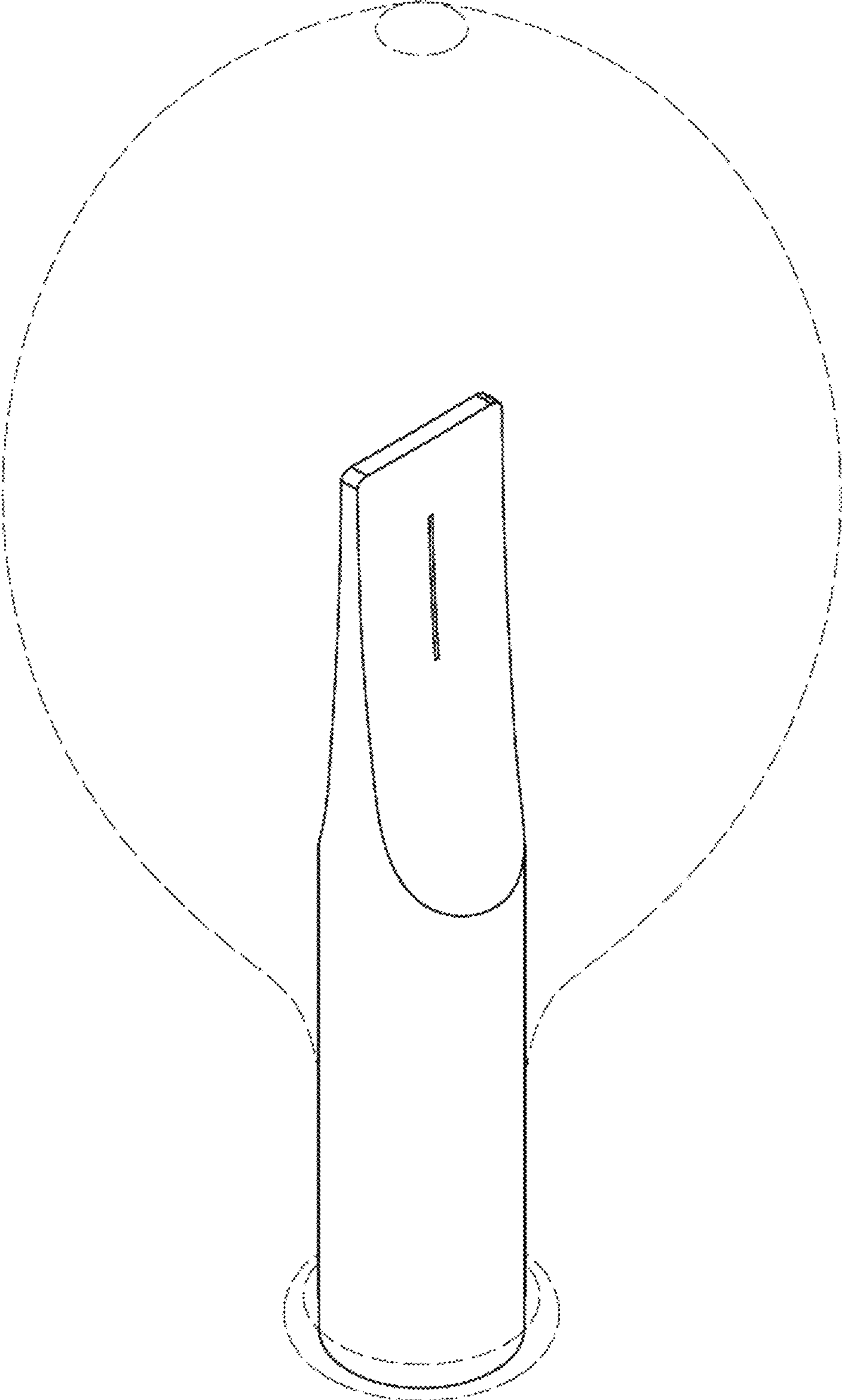


FIG. 1

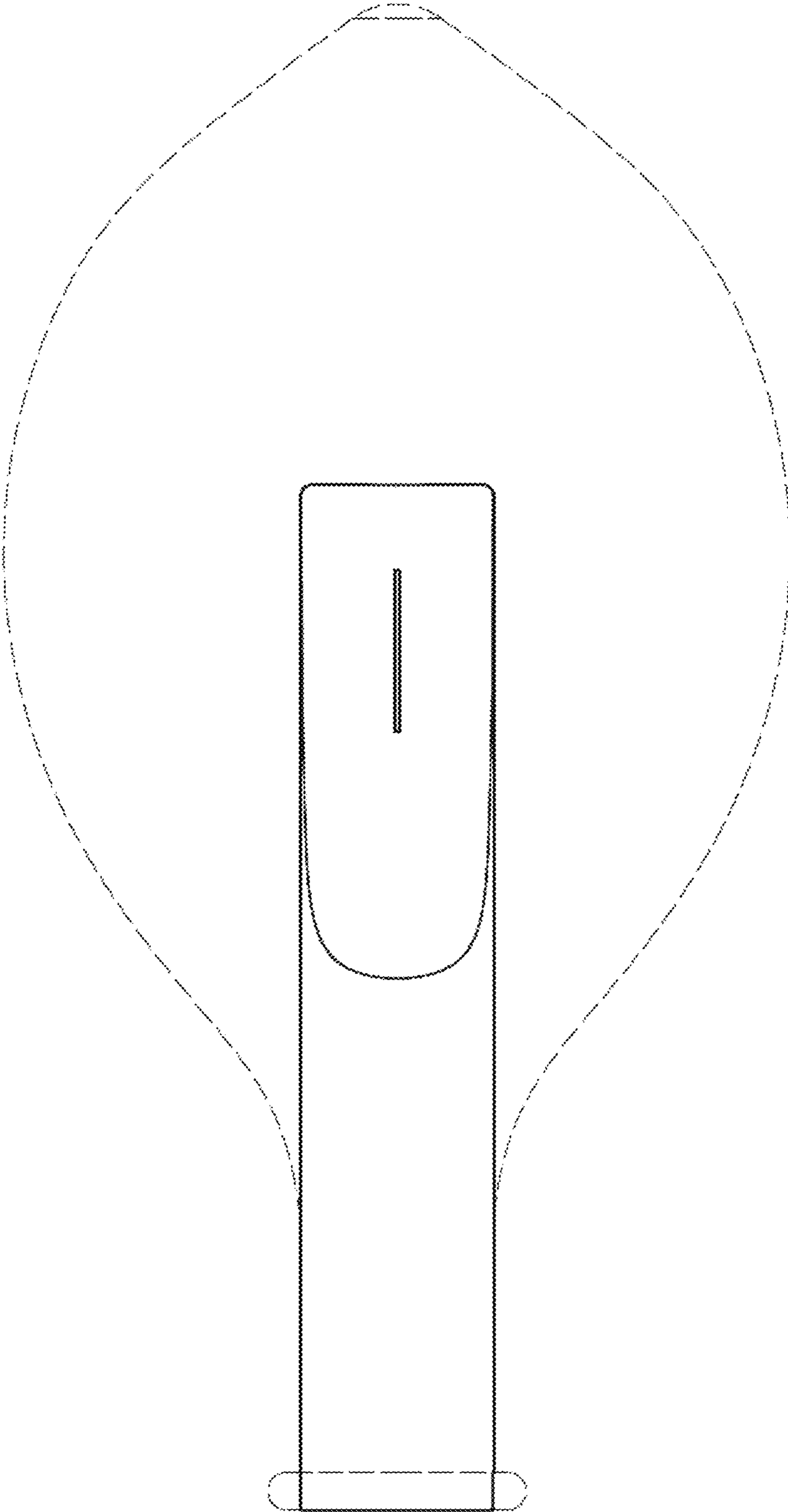


FIG. 2

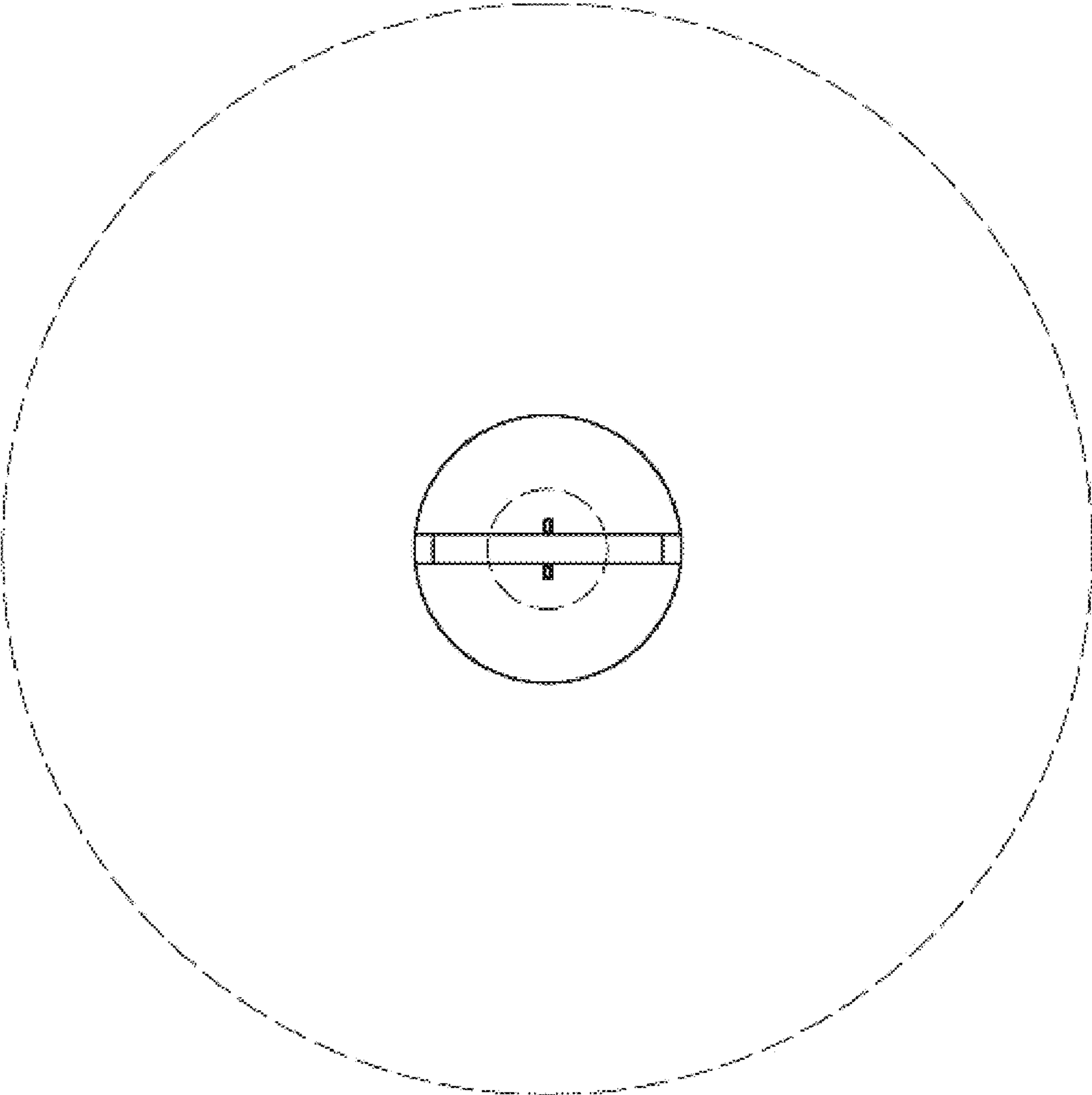


FIG. 3

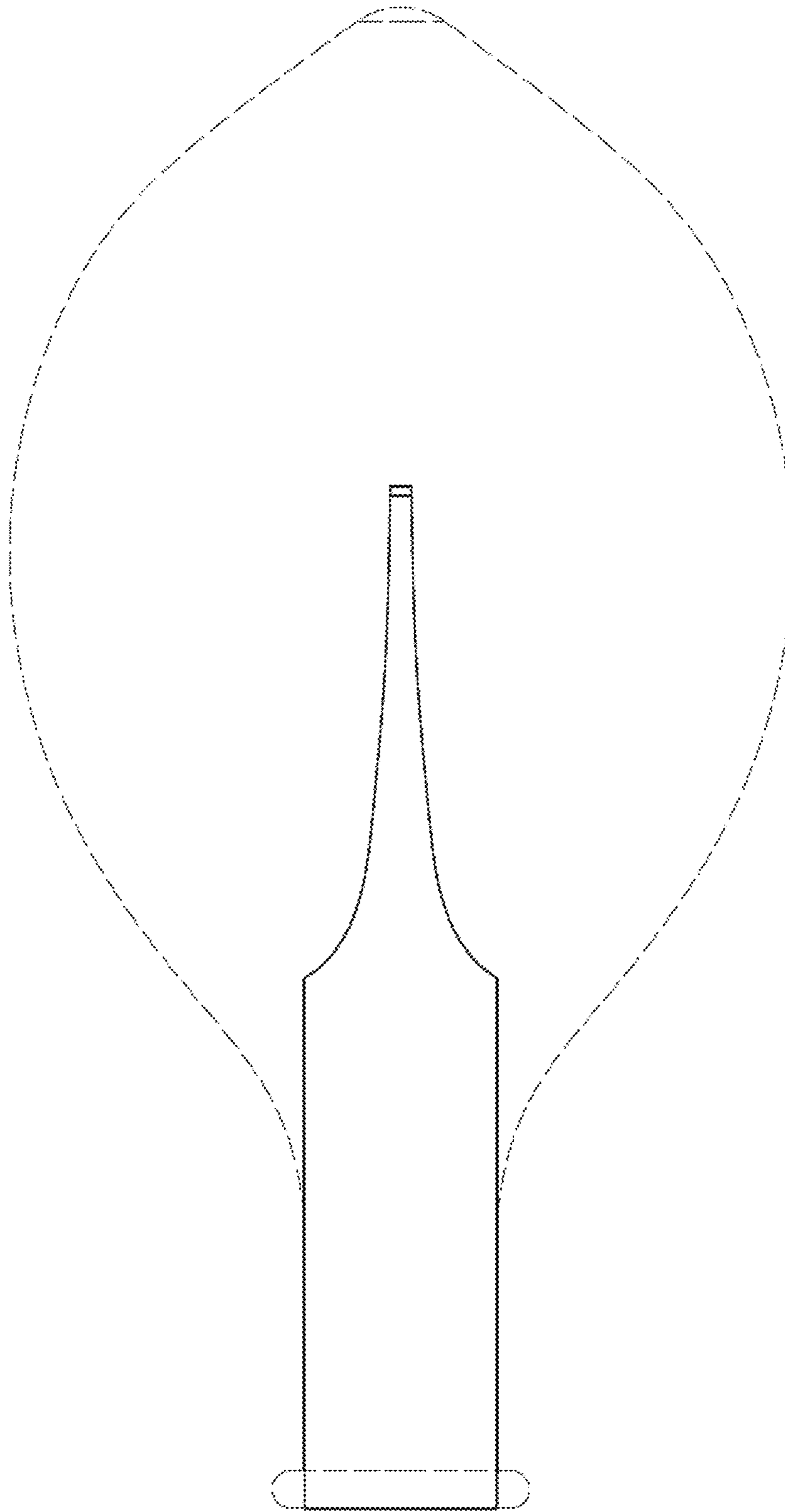


FIG. 4

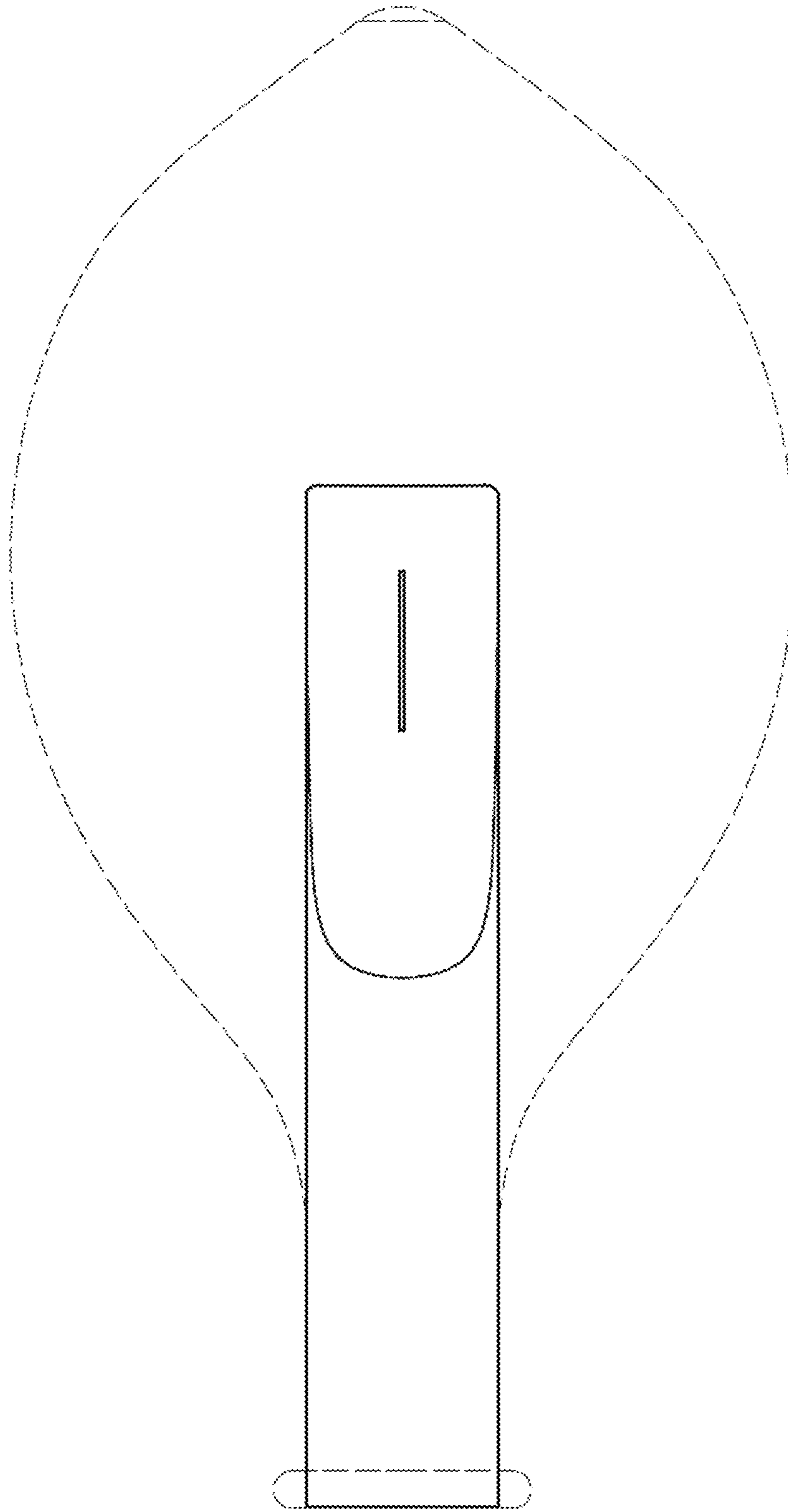


FIG. 5

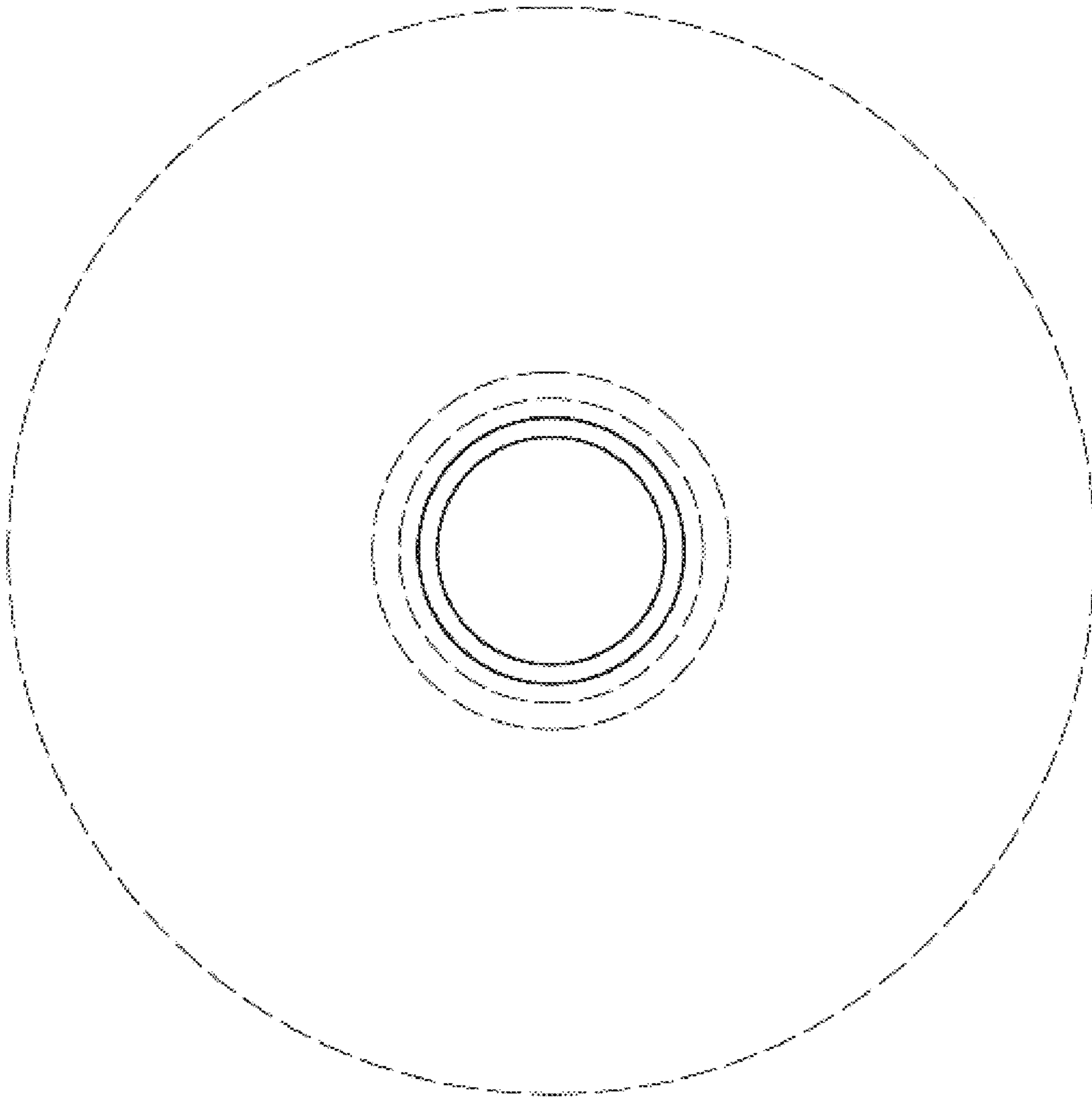


FIG. 6

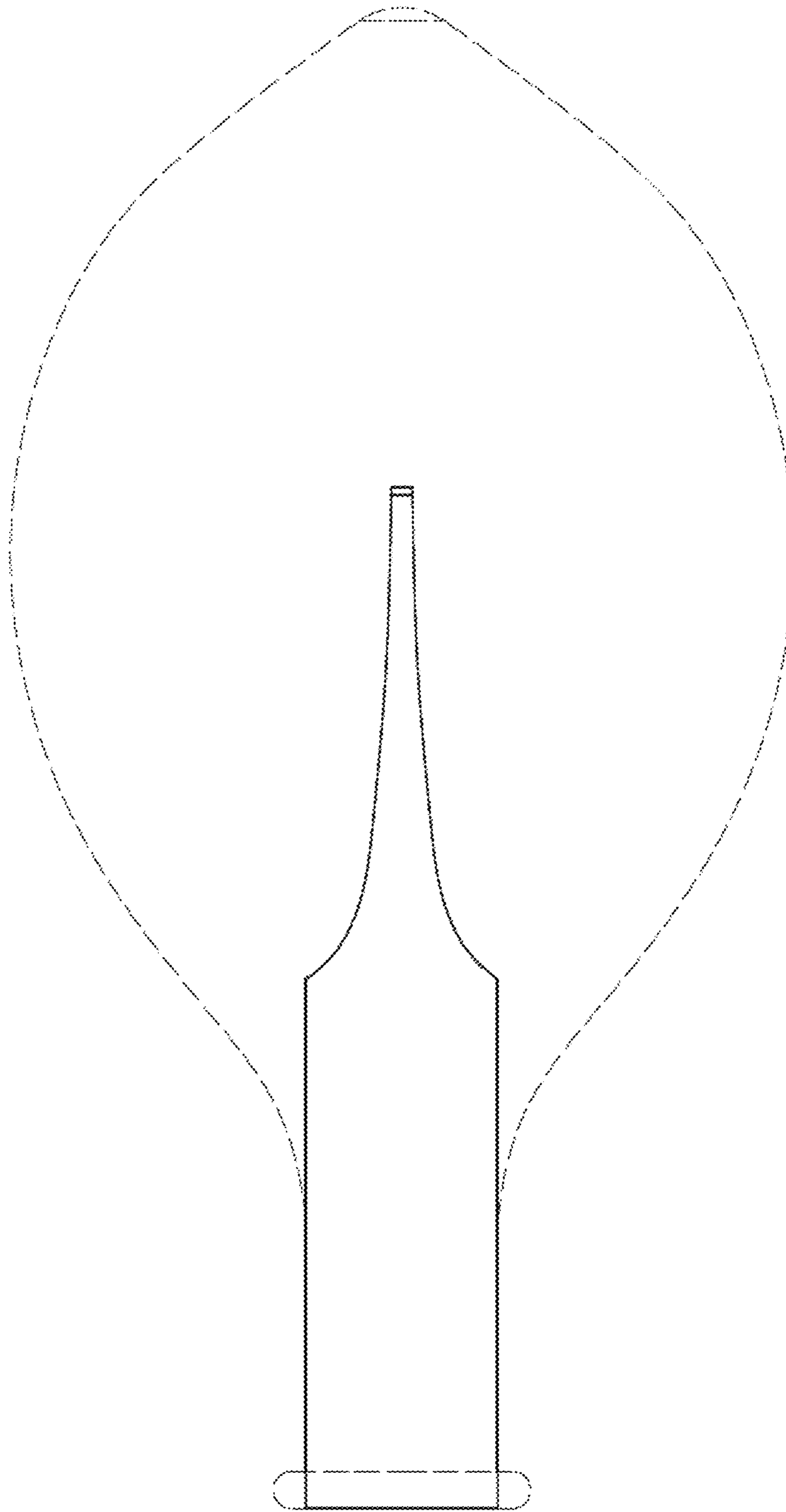


FIG. 7