



US00D930117S

(12) **United States Design Patent** (10) **Patent No.:** **US D930,117 S**
Fritz (45) **Date of Patent:** **** Sep. 7, 2021**

(54) **FAUCET**
(71) Applicant: **DELTA FAUCET COMPANY,**
Indianapolis, IN (US)

D811,532 S * 2/2018 Schoenherr D23/238
D813,986 S * 3/2018 Schoenherr D23/238
D900,968 S * 11/2020 Garland D23/238
2015/0211646 A1 * 7/2015 Kemp F16K 19/006
137/625.17

(72) Inventor: **Seth Fritz,** Carmel, IN (US)
(73) Assignee: **DELTA FAUCET COMPANY,**
Indianapolis, IN (US)

FOREIGN PATENT DOCUMENTS

CA 135612 * 12/2010
CA 147601 * 10/2012
CA 181171 * 5/2018

(**) Term: **15 Years**

OTHER PUBLICATIONS

(21) Appl. No.: **29/709,659**
(22) Filed: **Oct. 16, 2019**
(51) **LOC (13) Cl.** **23-01**
(52) **U.S. Cl.**
USPC **D23/238**
(58) **Field of Classification Search**
USPC D23/238-244, 252, 254-255, 257;
D8/307-308
CPC F16K 31/602; F16K 31/605; F16K 31/607;
E03C 1/0412
See application file for complete search history.

Moen 6145 Gibson One-Handle Single Hole Modern Bathroom Sink Faucet, first available Oct. 7, 2016[online], [site visited Apr. 28, 2021]. Available from internet, URL:<<https://www.amazon.com/Moen-6145-One-Handle-Bathroom-Deckplate/dp/B01M0E3ZYS>> (Year: 2016).*

(Continued)

Primary Examiner — Barbara Fox
Assistant Examiner — Jamaal Rasheed
(74) *Attorney, Agent, or Firm* — Nirav D. Parikh; Edgar A. Zarins

(56) **References Cited**

(57) **CLAIM**

The ornamental design for a faucet, as shown and described.

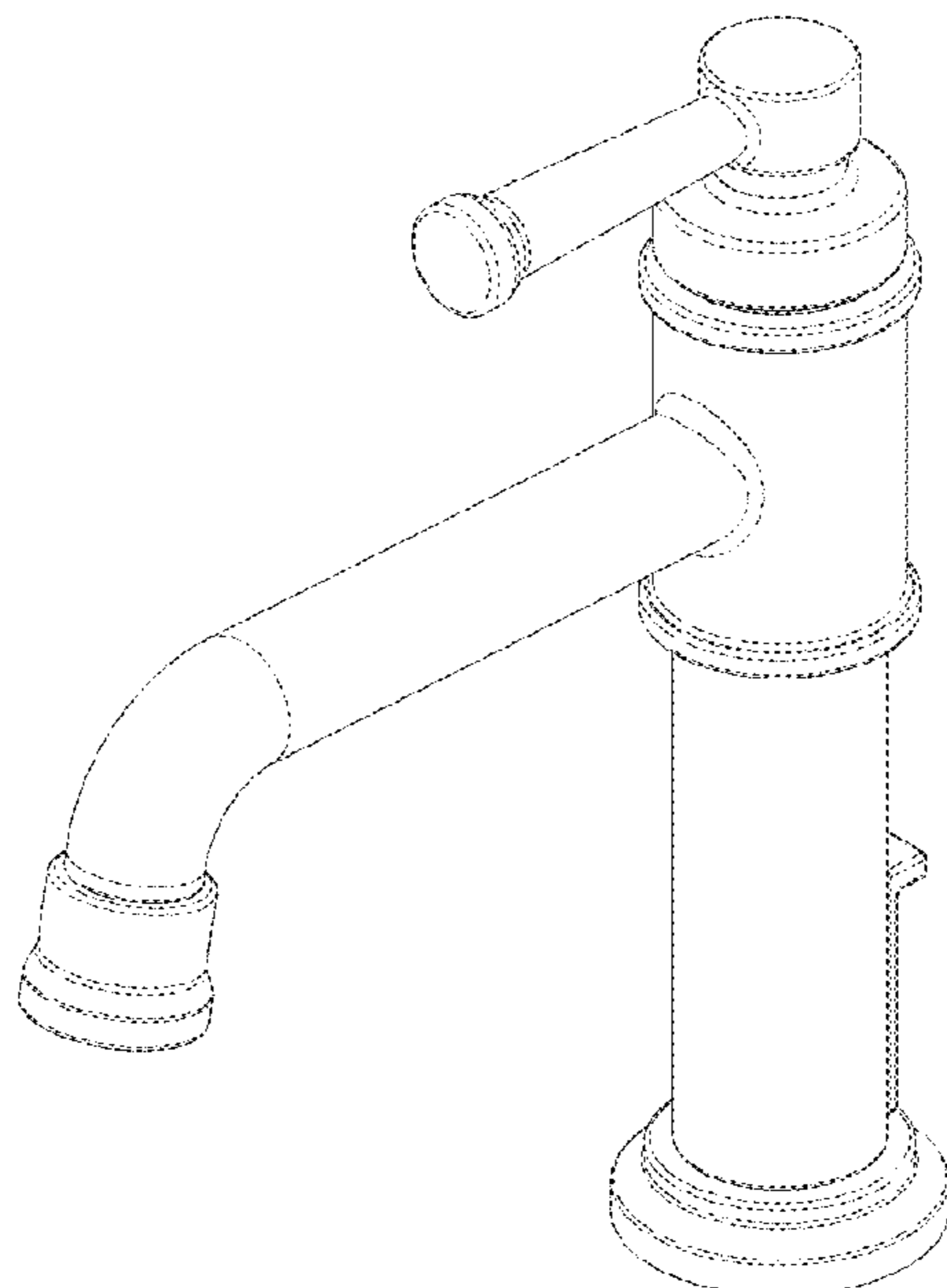
U.S. PATENT DOCUMENTS

DESCRIPTION

D517,649 S * 3/2006 Egee D23/238
D572,798 S * 7/2008 Bickler D23/238
D594,936 S * 6/2009 Schoenherr D23/238
D597,175 S * 7/2009 Kulig D23/238
D654,568 S * 2/2012 Yu D23/238
D684,243 S * 6/2013 Lord D23/238
D684,666 S * 6/2013 Lord D23/238
D760,354 S * 6/2016 Citterio D23/238
D767,724 S * 9/2016 Flowers D23/238
D771,224 S * 11/2016 Flowers D23/238
9,611,945 B2 * 4/2017 Kemp F16K 31/605
D803,986 S * 11/2017 Schoenherr D23/238
D811,529 S * 2/2018 Schoenherr D23/238

FIG. 1 is a front perspective view of a faucet showing my new design;
FIG. 2 is a rear perspective view thereof;
FIG. 3 is a front elevational view thereof;
FIG. 4 is a left side view thereof;
FIG. 5 is a rear view thereof;
FIG. 6 is a right side view thereof;
FIG. 7 is a top plan view thereof; and,
FIG. 8 is a bottom view thereof.

1 Claim, 4 Drawing Sheets



(56)

References Cited

OTHER PUBLICATIONS

Moen 6402 Belfield One-Handle Bathroom Sink Faucet, first available Jun. 1, 2017[online], [site visited Apr. 28, 2021]. Available from internet, URL:<<https://www.amazon.com/Moen-6402-Belfield-One-Handle-Bathroom/dp/B0725Q7ZVF>> (Year: 2017).*

* cited by examiner

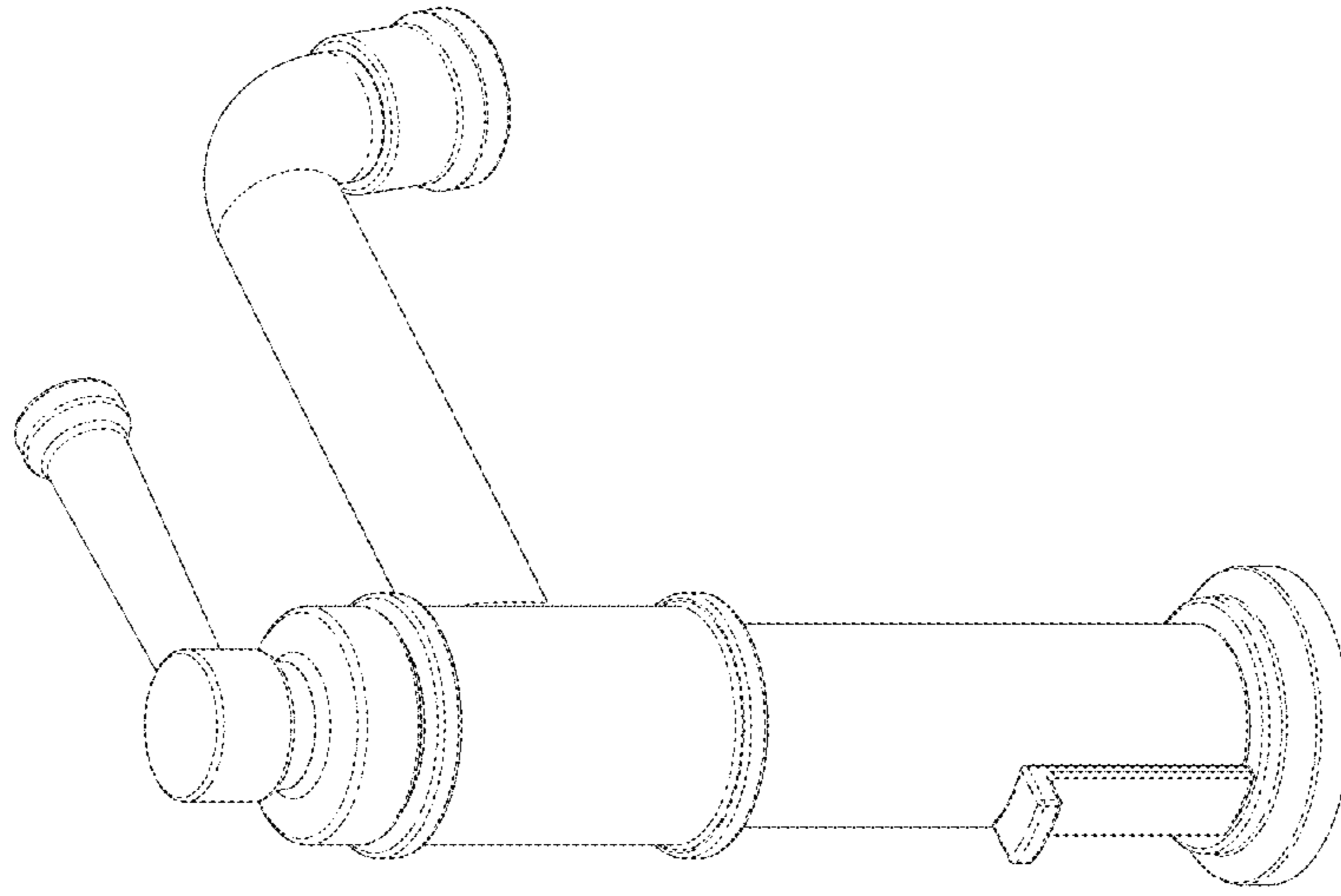


FIG - 2

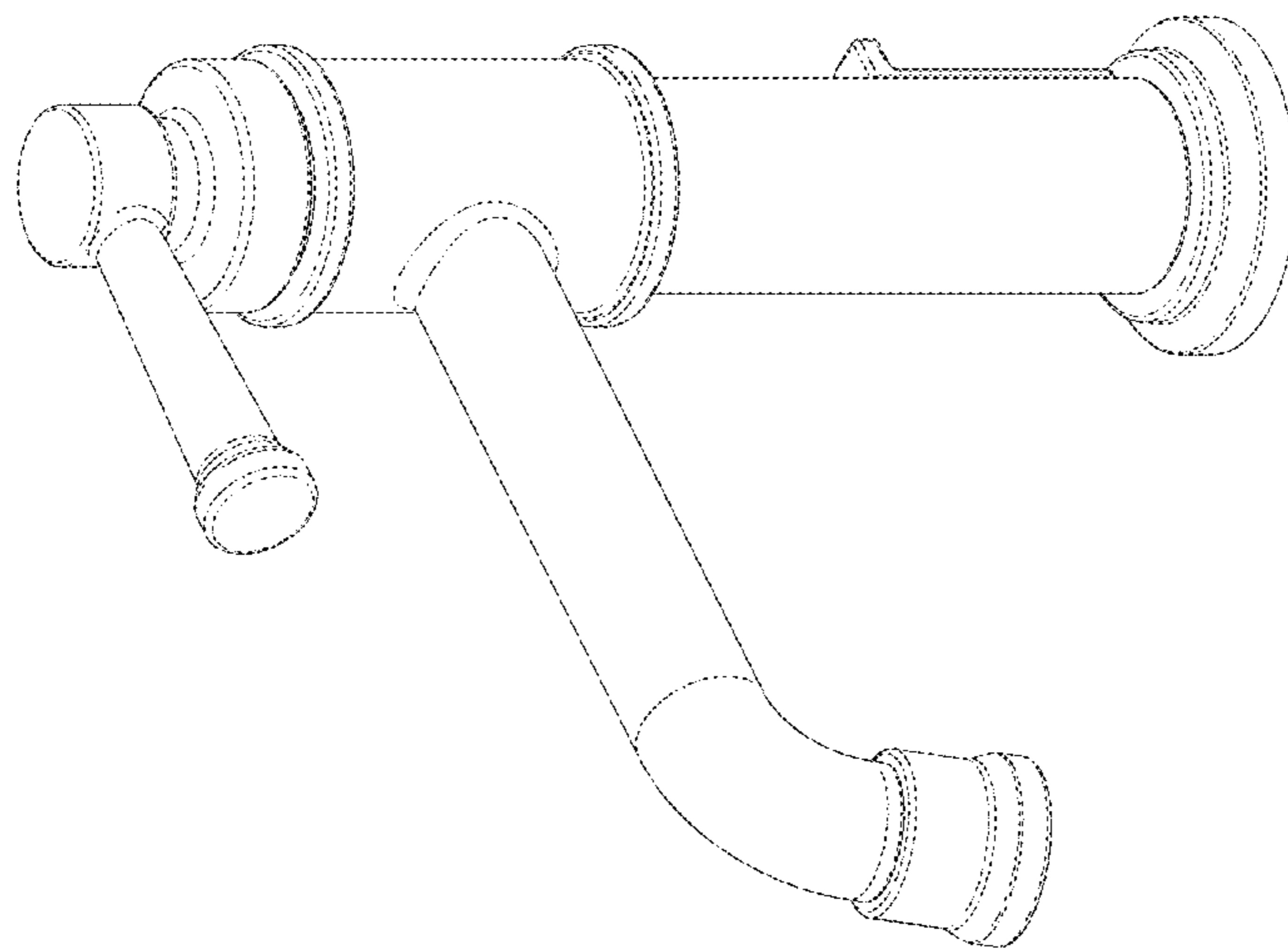


FIG - 1

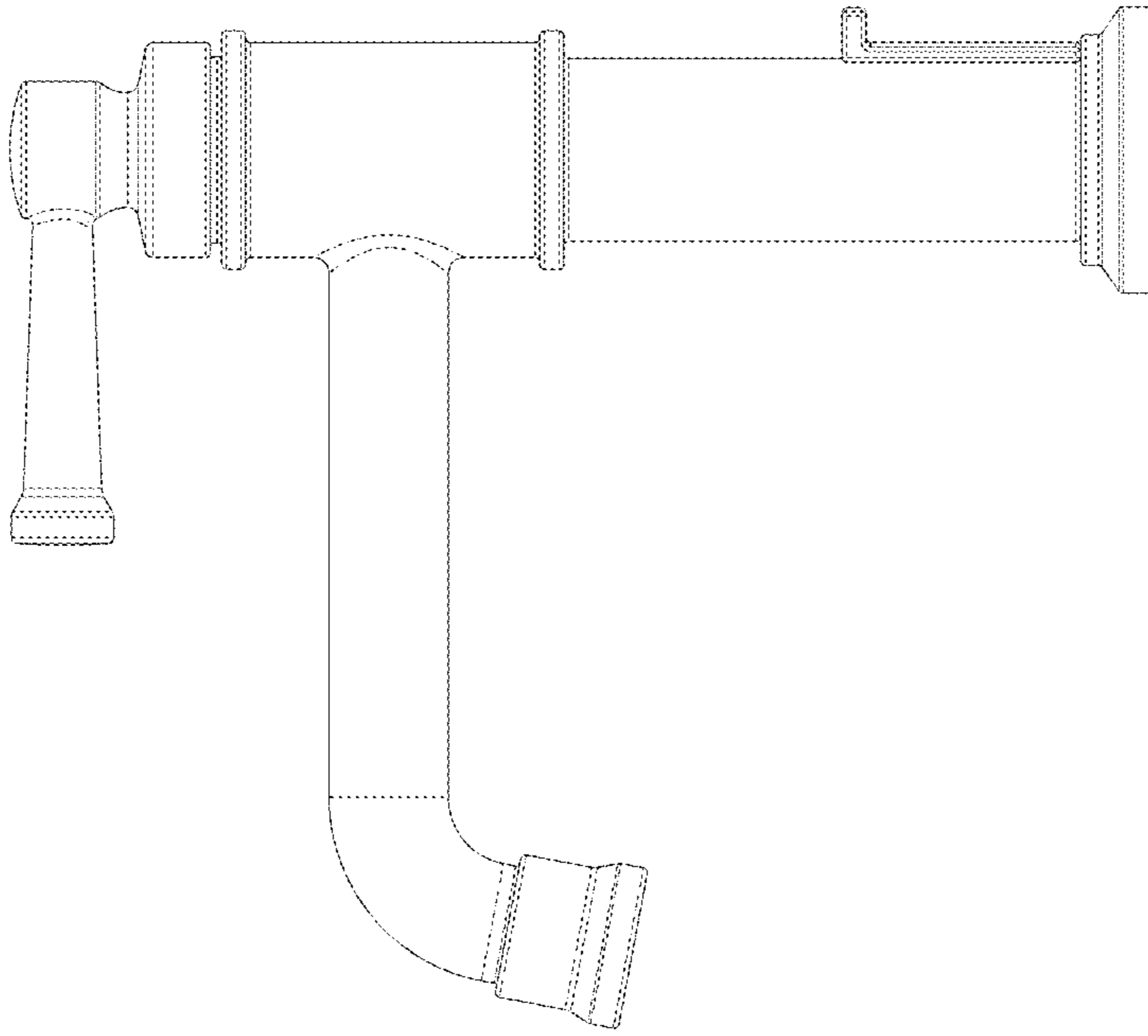


FIG - 4

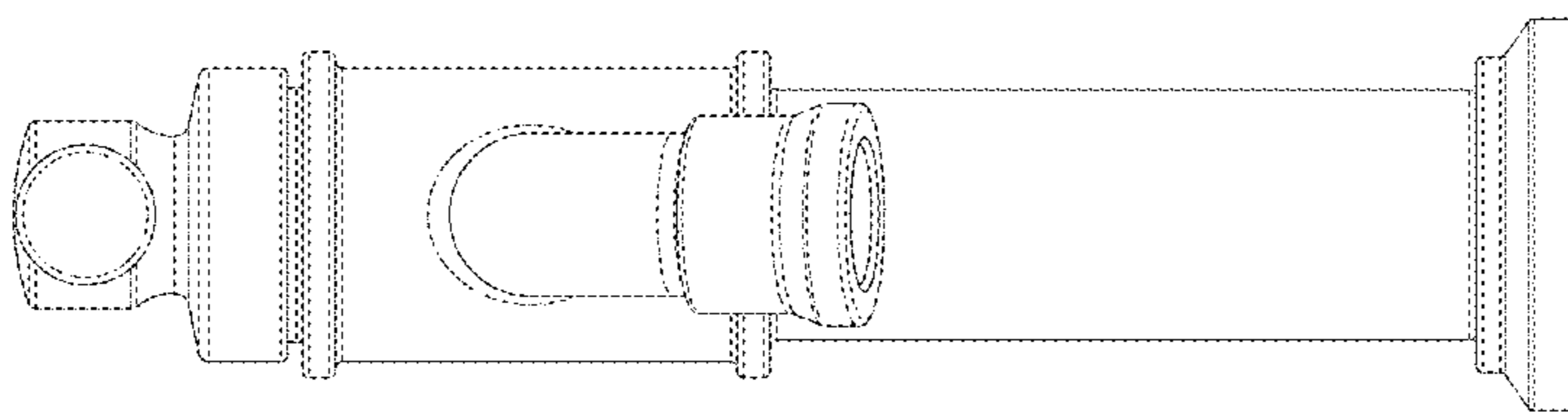


FIG - 3

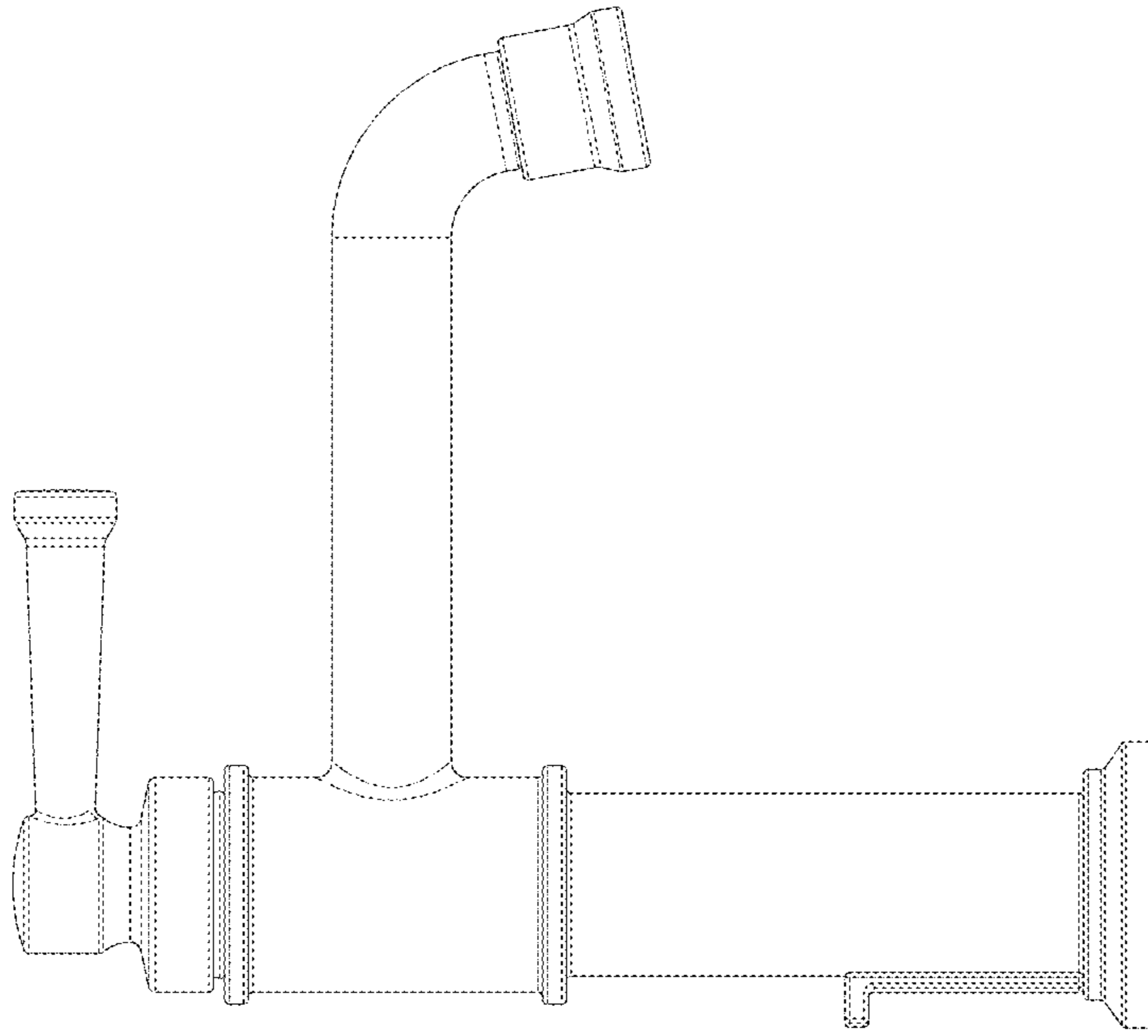


FIG - 6

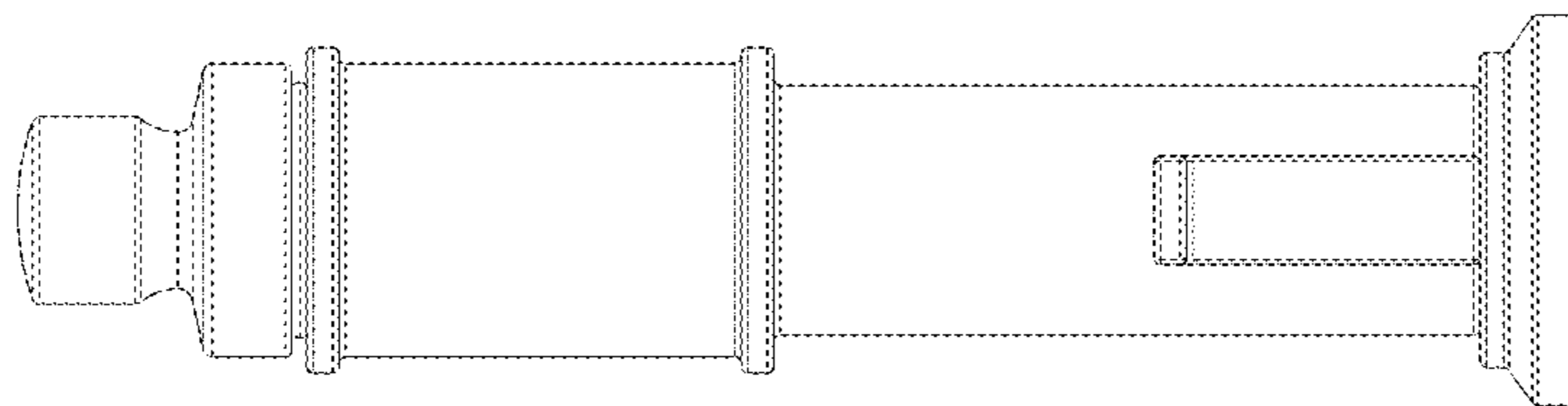


FIG - 5



FIG - 8

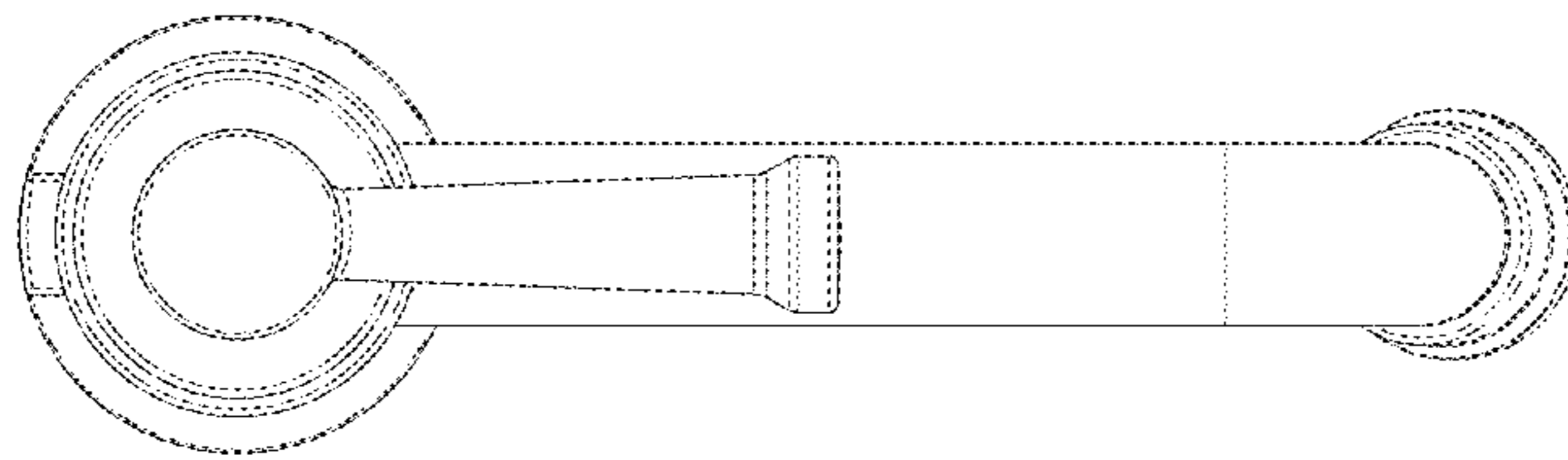


FIG - 7