



US00D930116S

(12) **United States Design Patent** (10) **Patent No.:** **US D930,116 S**
Sanghun et al. (45) **Date of Patent:** **** Sep. 7, 2021**

(54) **SHOWER HEAD**
(71) Applicant: **Poseion Co., Ltd.**, Bucheon-si (KR)
(72) Inventors: **Lee Sanghun**, Incheon (KR); **Kim Jungkab**, Gwangmyeong-si (KR)
(**) Term: **15 Years**
(21) Appl. No.: **35/508,785**

D467,636 S * 12/2002 Boesch D23/223
D470,568 S * 2/2003 Wu D23/223
D626,195 S * 10/2010 De Quesada D23/223
D652,892 S * 1/2012 Obara D23/213
D659,796 S * 5/2012 Farley D23/223
D659,797 S * 5/2012 Farley D23/223
D744,065 S * 11/2015 Peterson D23/223
D777,881 S * 1/2017 Chen D23/229
D852,323 S * 6/2019 McCutcheon D23/223
D855,760 S * 8/2019 Lee D23/223

* cited by examiner

(22) Filed: **Aug. 23, 2019**

Primary Examiner — *Natasha Vujcic*

(80) **Hague Agreement Data**

(57) **CLAIM**

Int. Filing Date: **Aug. 23, 2019**
Int. Reg. No.: **DM/206329**
Int. Reg. Date: **Aug. 23, 2019**
Int. Reg. Pub. Date: **Mar. 13, 2020**

The ornamental design for a shower head, as shown and described.

DESCRIPTION

(30) **Foreign Application Priority Data**

Feb. 26, 2019 (KR) 30-2019-0008570

(51) **LOC (13) Cl.** **23-01**

(52) **U.S. Cl.**
USPC **D23/223**

(58) **Field of Classification Search**
USPC D23/213, 223, 224, 226, 228
CPC .. B05B 1/00; B05B 1/02; B05B 1/005; B05B 1/14; B05B 1/18; B05B 1/185
See application file for complete search history.

- 1. Shower head
- 1.1 : Perspective
- 1.2 : Front
- 1.3 : Back
- 1.4 : Left
- 1.5 : Right
- 1.6 : Top
- 1.7 : Bottom

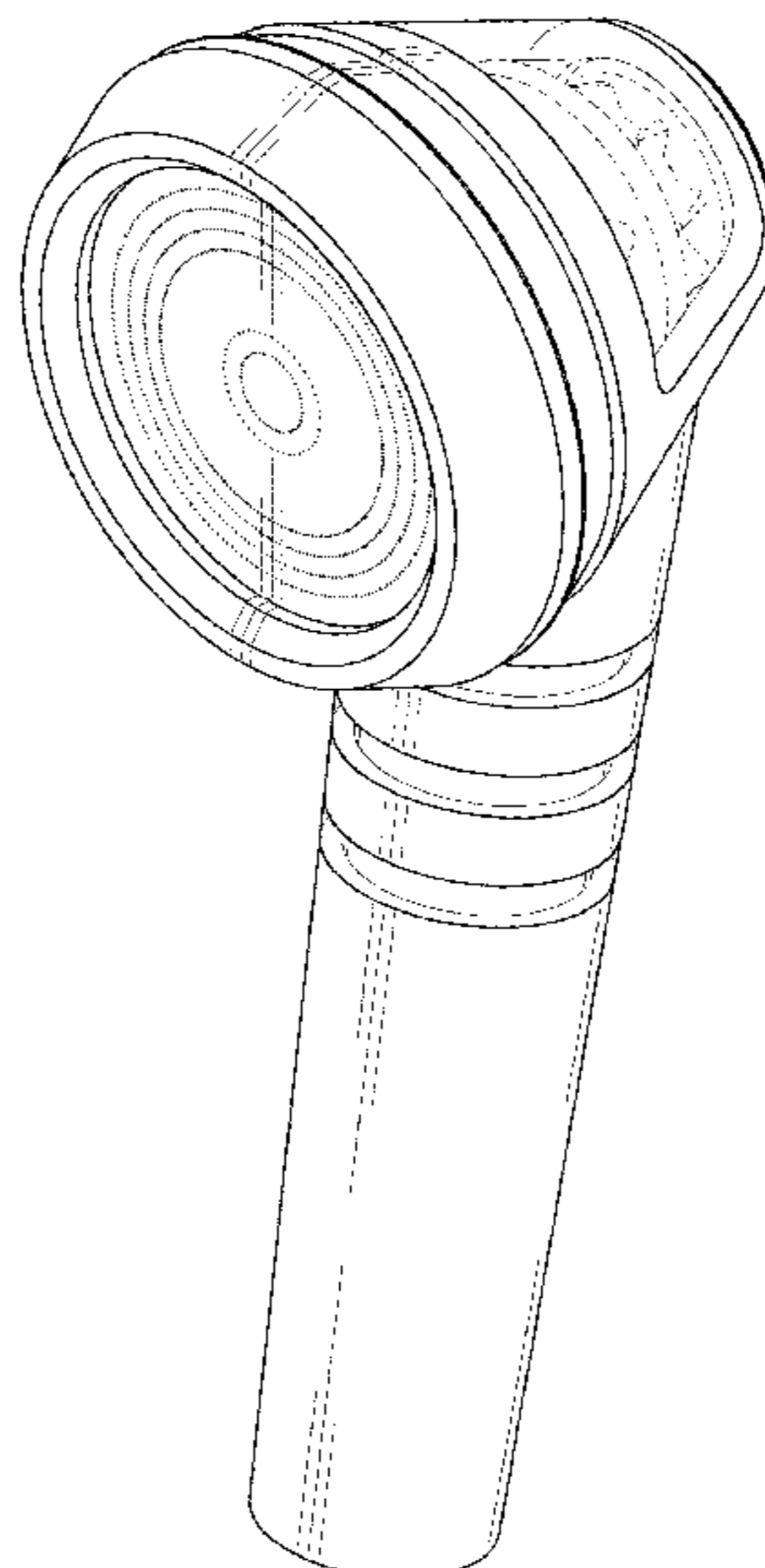
Materials include metal and synthetic resin; the claimed design is for a shower head which is used with a hose; fig. 1.1 is a front perspective view of a showerhead; fig. 1.2 is a front elevational view of the showerhead shown in fig. 1.1; fig. 1.3 is a rear elevational view thereof; fig. 1.4 is a left side view thereof; fig. 1.5 is a right side view thereof; fig. 1.6 is a top view thereof; fig. 1.7 is a bottom view thereof; the dotted lines of figs. 1.1 and 1.2 are for illustrating nozzles of the shower head; thin shading lines are only to show the contour of flat and curved surfaces and form no part of the claimed design. The broken lines in the drawings illustrate portions of the shower head which form no part of the claimed design.

(56) **References Cited**

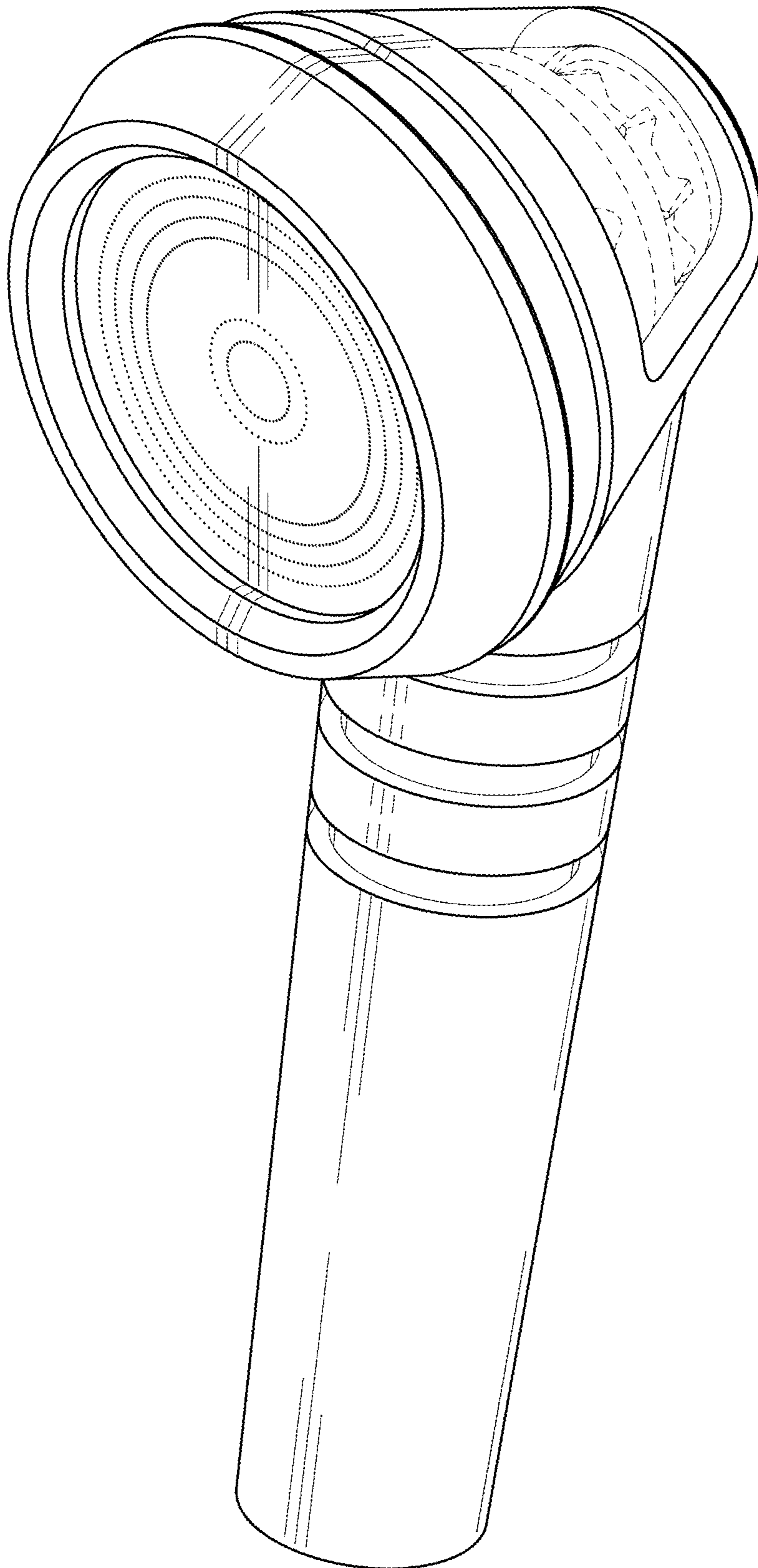
U.S. PATENT DOCUMENTS

D349,557 S * 8/1994 Huen D23/223
D408,888 S * 4/1999 Huen D23/223
D409,718 S * 5/1999 Farley D23/209
D445,871 S * 7/2001 Fan D23/223
D451,169 S * 11/2001 Lindholm D23/223
D451,980 S * 12/2001 Lindholm D23/223
D457,937 S * 5/2002 Lindholm D23/223

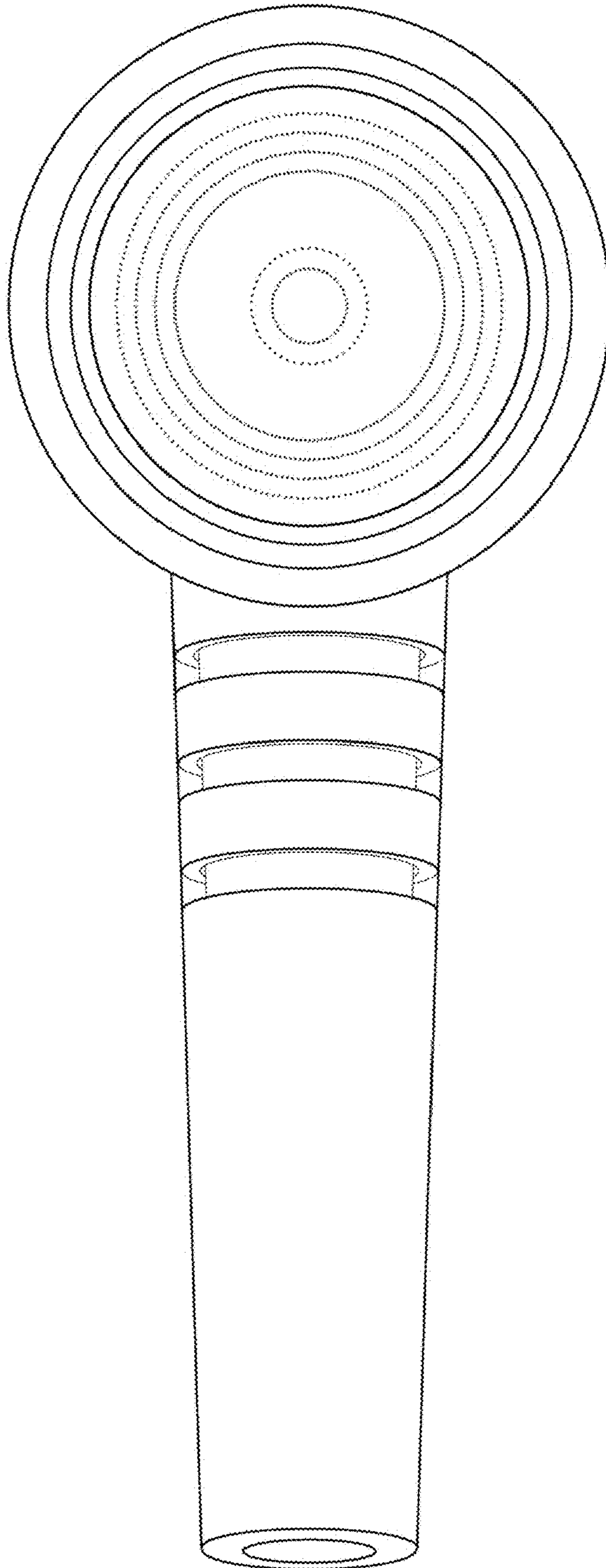
1 Claim, 7 Drawing Sheets



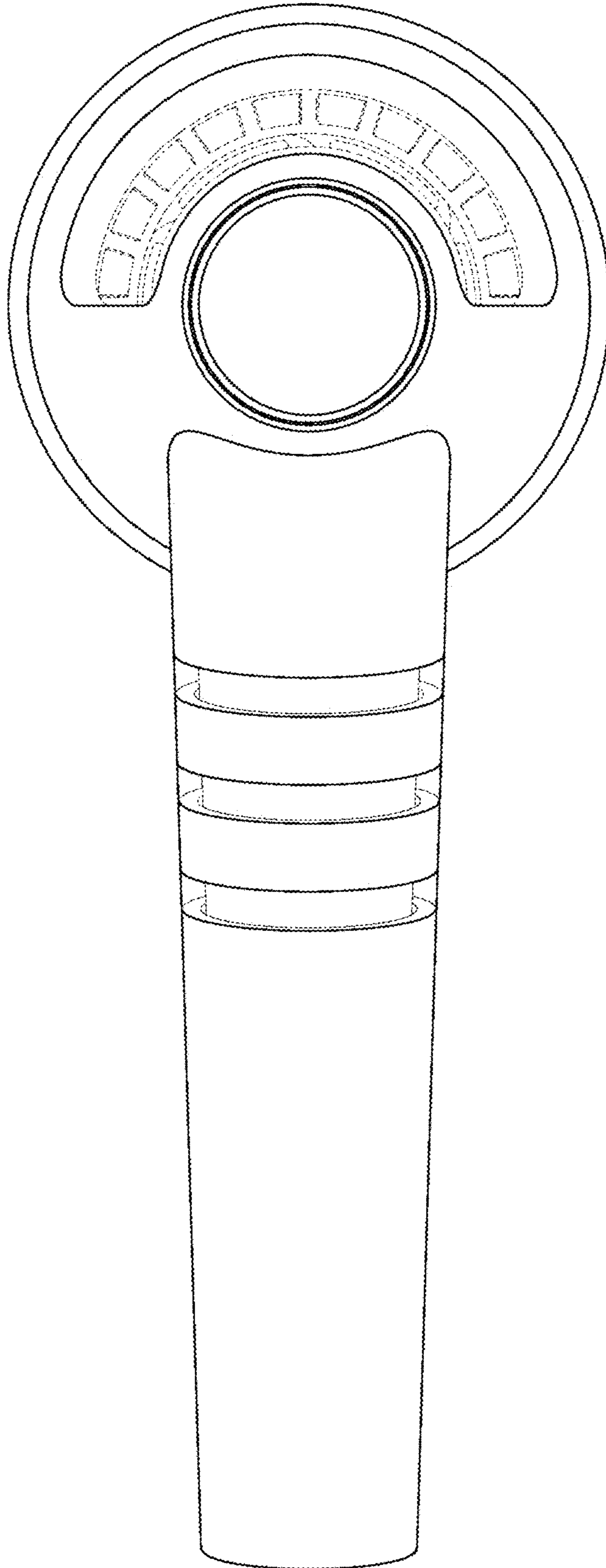
1.1



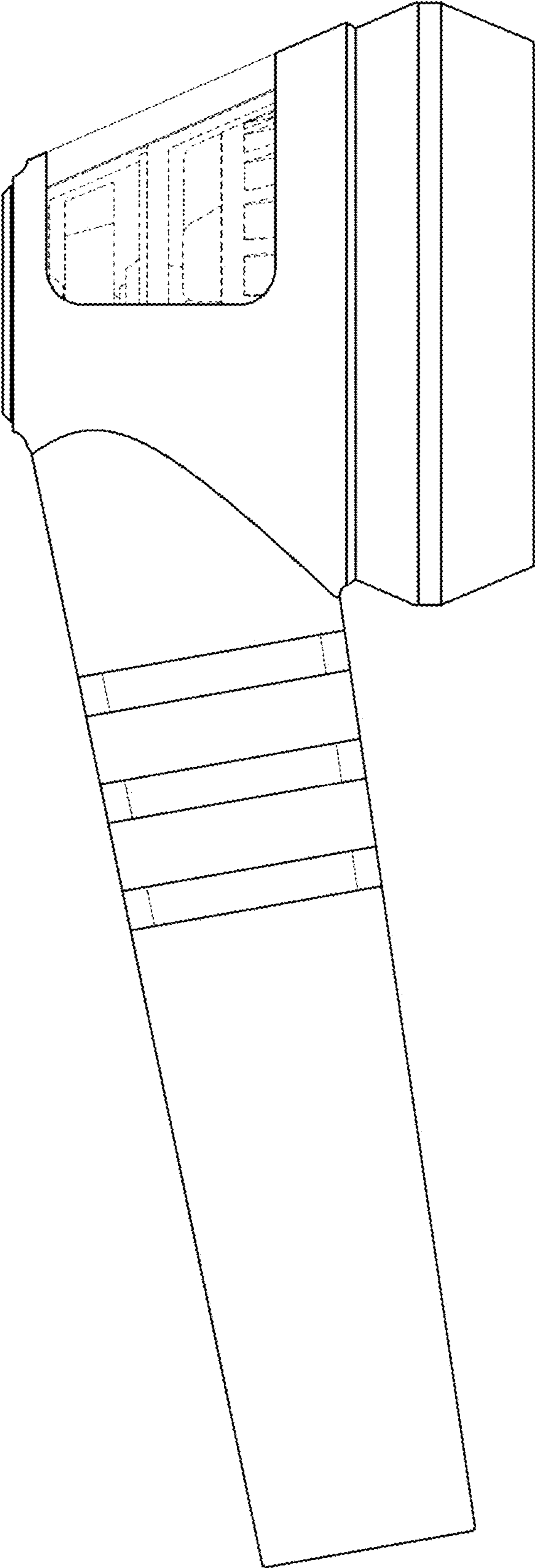
1.2



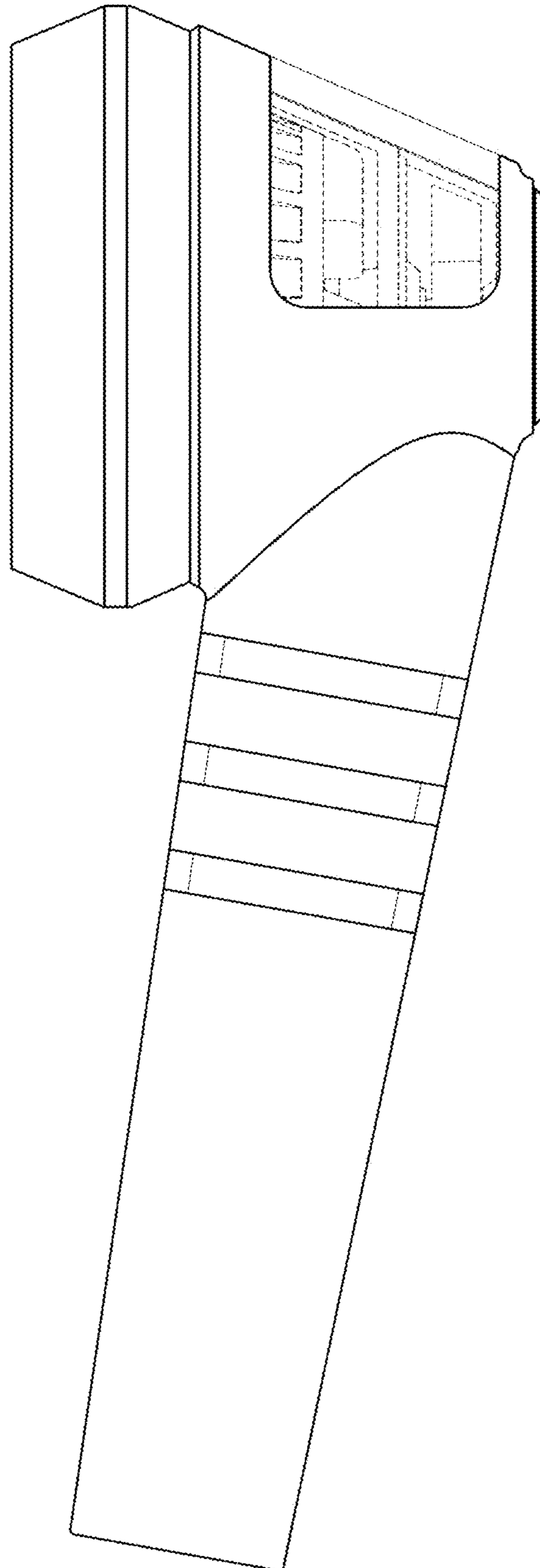
1.3



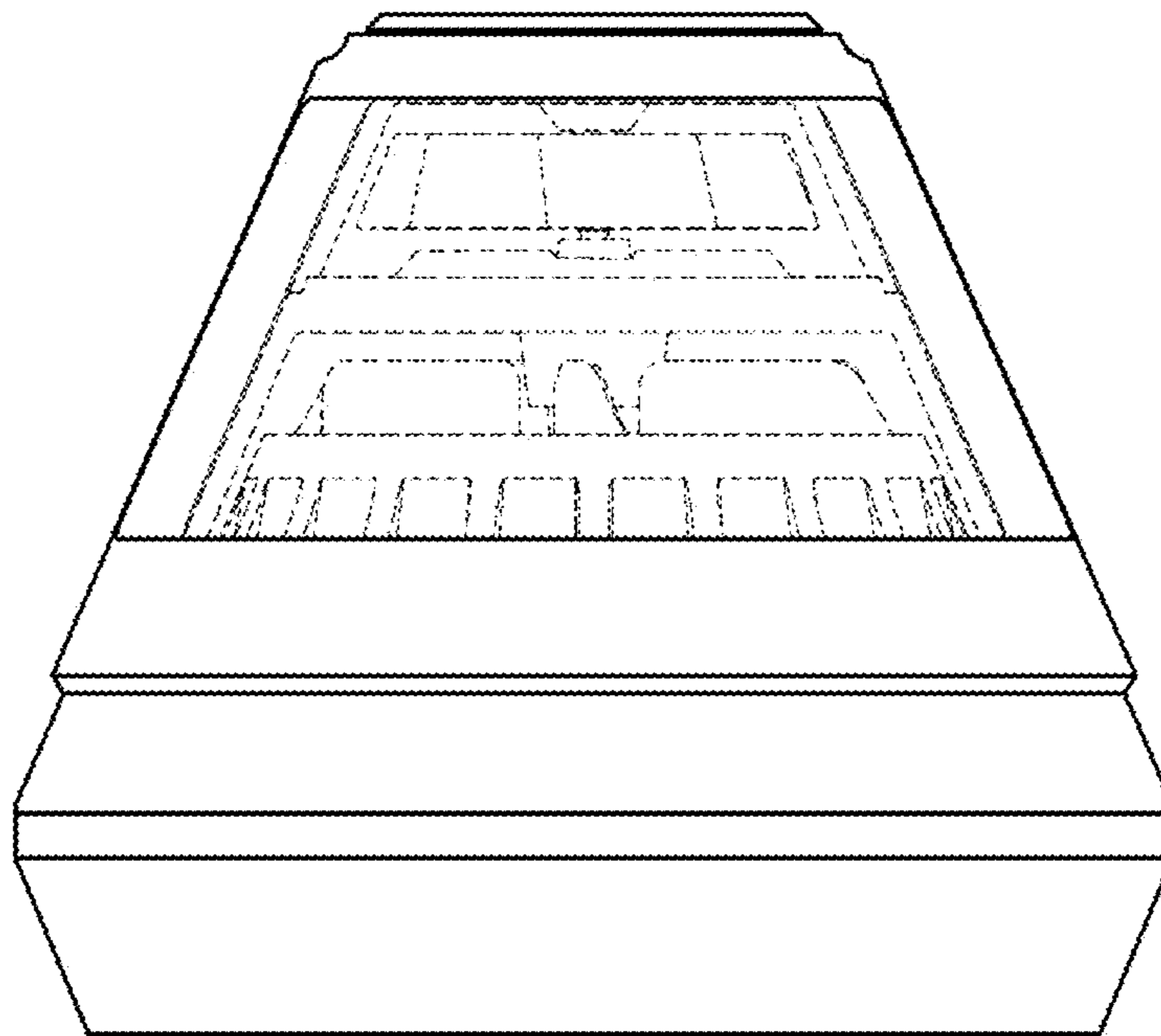
1.4



1.5



1.6



1.7

