



US00D930115S

(12) **United States Design Patent** (10) **Patent No.:** **US D930,115 S**  
**Städtler et al.** (45) **Date of Patent:** **\*\* Sep. 7, 2021**

(54) **HAND SHOWER FOR TRAVELLING PURPOSES**

**DESCRIPTION**

(71) Applicant: **Neoperl GmbH**, Mullheim (DE)  
(72) Inventors: **Georg Städtler**, Mullheim (DE);  
**Wolf-Dieter Lacher**, Mullheim (DE);  
**Jürgen Höppner**, Mullheim (DE)  
(73) Assignee: **Neoperl GmbH**, Müllheim (DE)  
(\*\*) Term: **15 Years**  
(21) Appl. No.: **35/507,366**  
(22) Filed: **Mar. 8, 2019**  
(80) **Hague Agreement Data**  
Int. Filing Date: **Mar. 8, 2019**  
Int. Reg. No.: **DM/202541**  
Int. Reg. Date: **Mar. 8, 2019**  
Int. Reg. Pub. Date: **Sep. 6, 2019**  
(51) **LOC (13) Cl.** ..... **23-01**  
(52) **U.S. Cl.**  
USPC ..... **D23/223**  
(58) **Field of Classification Search**  
USPC ..... D23/221, 222, 223, 224, 226, 227, 229,  
D23/230, 249, 255; D15/123; 239/104,  
(Continued)  
(56) **References Cited**  
U.S. PATENT DOCUMENTS  
D249,356 S \* 9/1978 Nagy ..... D23/223  
4,951,329 A \* 8/1990 Shaw ..... A47K 3/001  
4/568  
(Continued)

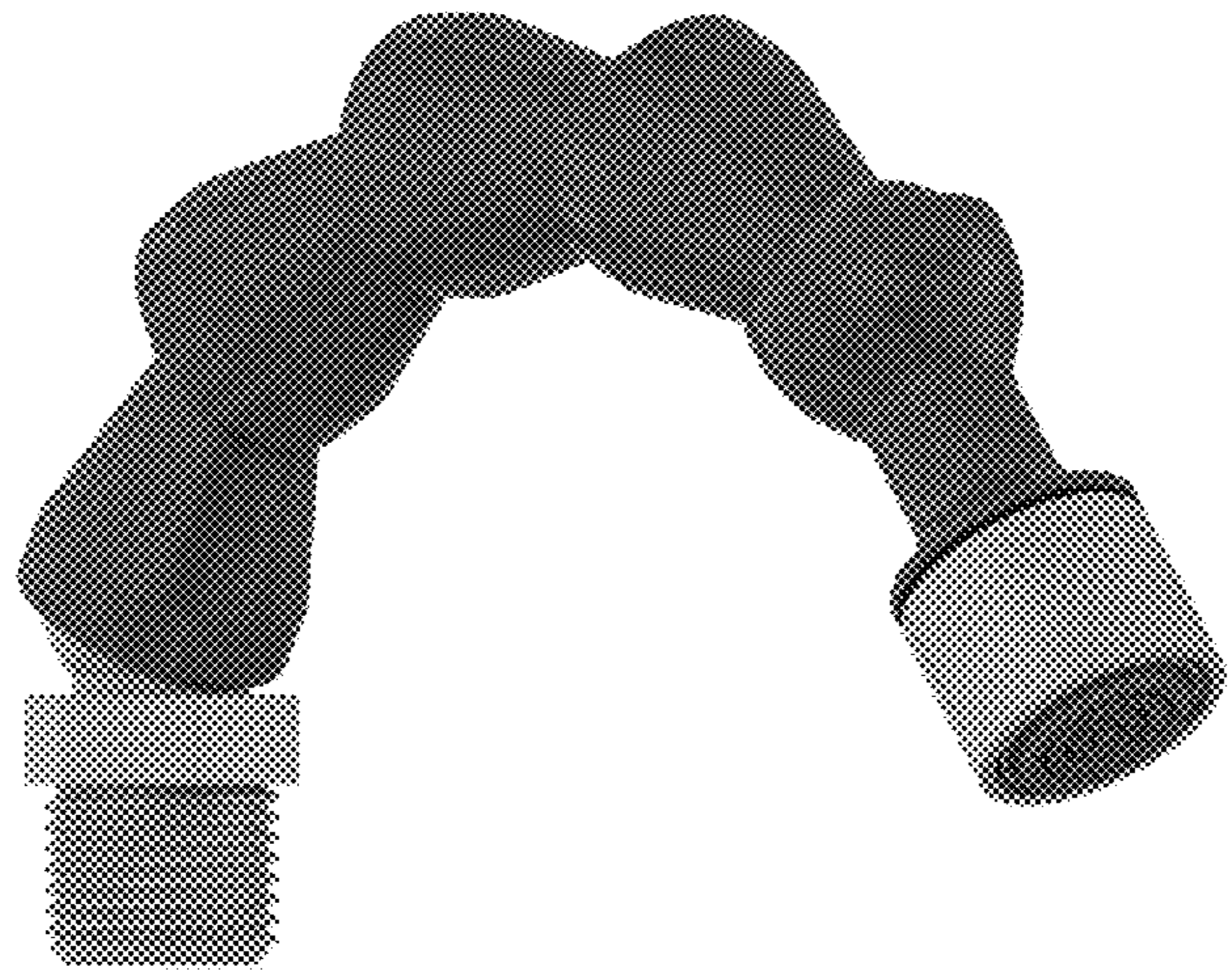
1., 2., 5., and 7. Hand shower for travelling purposes  
1.1 : Top  
1.2 : Perspective  
1.3 : Bottom  
1.4 : Perspective  
1.5 : Left  
1.6 : Front  
1.7 : Right  
1.8 : Back  
2.1 : Top  
2.2 : Perspective  
2.3 : Bottom  
2.4 : Perspective  
2.5 : Left  
2.6 : Front  
2.7 : Right  
2.8 : Back  
5.1 : Perspective  
5.2 : Perspective  
5.3 : Right  
5.4 : Front  
5.5 : Top  
5.6 : Back  
5.7 : Bottom  
5.8 : Left  
7.1 : Perspective  
7.2 : Perspective  
7.3 : Back  
7.4 : Bottom  
7.5 : Left  
7.6 : Right  
7.7 : Top  
7.8 : Front

*Primary Examiner* — Richard E Chilcot  
(74) *Attorney, Agent, or Firm* — Volpe Koenig

(57) **CLAIM**  
The ornamental design for a hand shower for travelling purposes, as shown and described.

The broken lines represent portions of the hand shower for travelling purposes in which the design is embodied that form no part of the claimed design.

**1 Claim, 32 Drawing Sheets**



US D930,115 S

- (52) **U.S. Cl.**  
CPC ..... **B05B 1/1663** (2013.01)
- (58) **Field of Classification Search**  
USPC ..... 239/106, 114, 115, 117, 123, 548, 550,  
239/555, 562, 602; 4/675, 615, 903, 678  
CPC ..... B05B 1/1663; B05B 1/185; B05B 15/528;  
B05B 15/652; F16L 11/18; E03C 1/025;  
Y10S 239/12; B65D 47/247; B65D  
47/24; B65D 47/32; B65D 47/06  
See application file for complete search history.

(56) **References Cited**

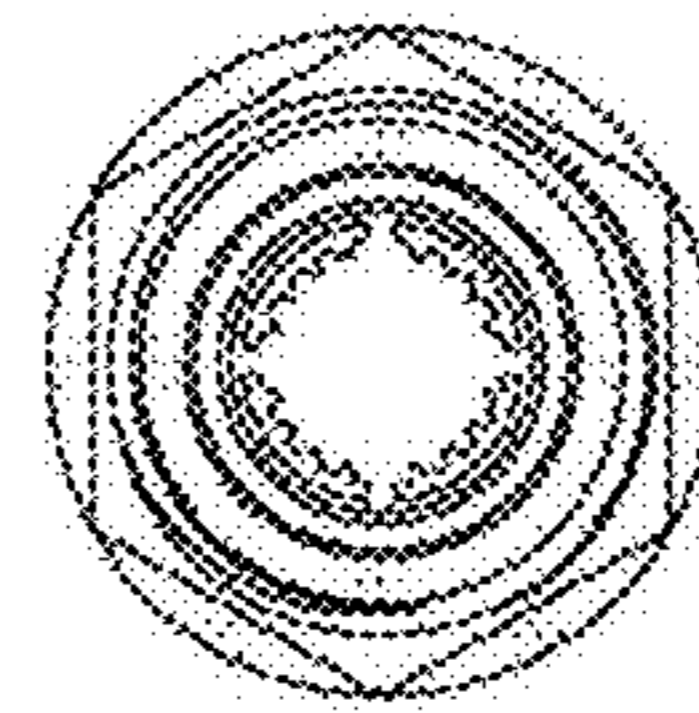
U.S. PATENT DOCUMENTS

- 5,449,206 A \* 9/1995 Lockwood ..... F16L 11/18  
138/120  
D376,861 S \* 12/1996 Johnstone ..... D26/43  
D376,862 S \* 12/1996 Carbone ..... D26/43

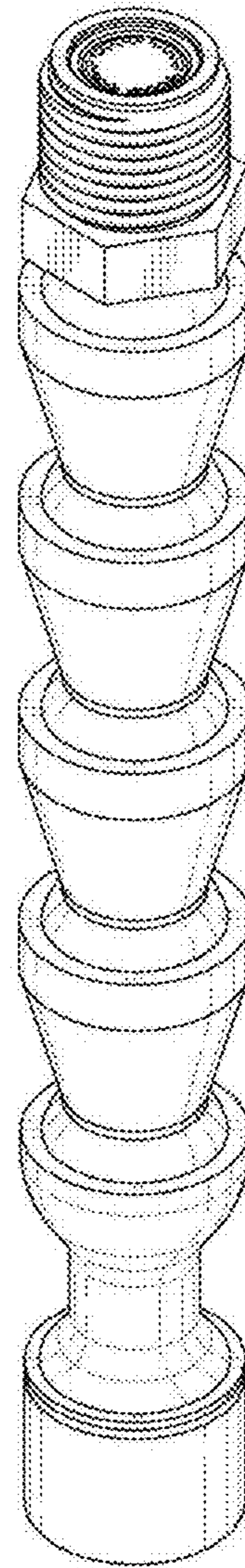
- 5,667,146 A \* 9/1997 Pimentel ..... E03C 1/06  
239/587.1  
D385,014 S \* 10/1997 Bertoli ..... D23/238  
5,848,444 A \* 12/1998 Christopherson .. A61H 33/6036  
4/541.6  
6,164,570 A \* 12/2000 Smeltzer ..... E03C 1/021  
138/120  
D440,641 S \* 4/2001 Hollinshead ..... D23/304  
6,641,057 B2 \* 11/2003 Thomas ..... B05B 1/1663  
239/104  
6,739,787 B1 \* 5/2004 Bystrom ..... A47L 9/24  
285/145.3  
7,066,411 B2 \* 6/2006 Male ..... E03C 1/021  
239/587.1  
7,533,906 B2 \* 5/2009 Luetgen ..... H01R 35/00  
285/146.1  
D710,186 S \* 8/2014 Earley ..... D8/354  
D780,547 S \* 3/2017 Kovarik ..... D8/51  
10,890,277 B2 \* 1/2021 Chung ..... F16L 9/22  
D23/255

\* cited by examiner

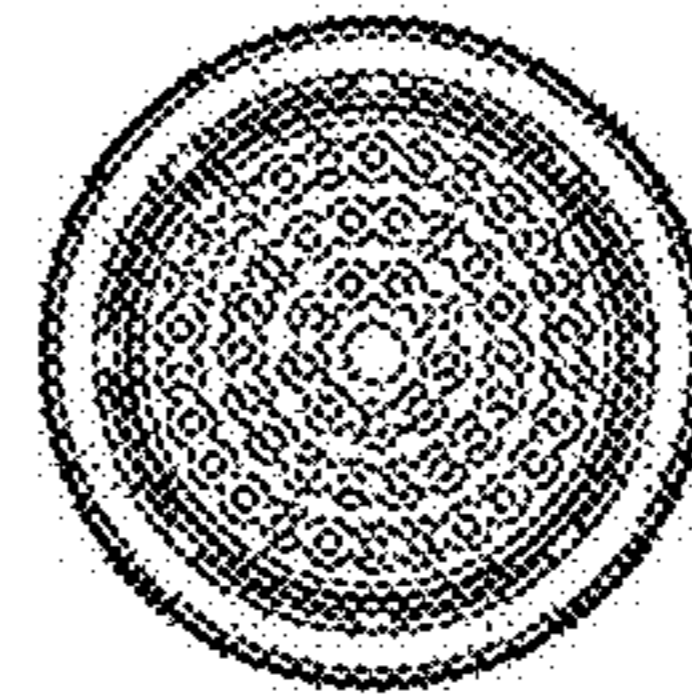
**1.1**



1.2

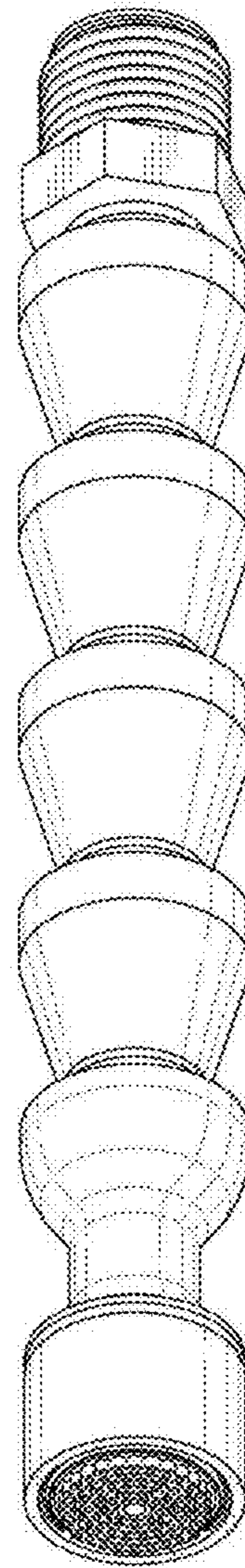


1.3

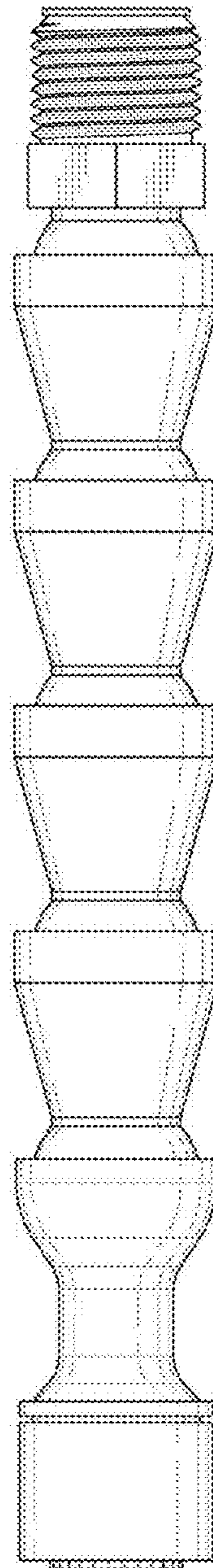




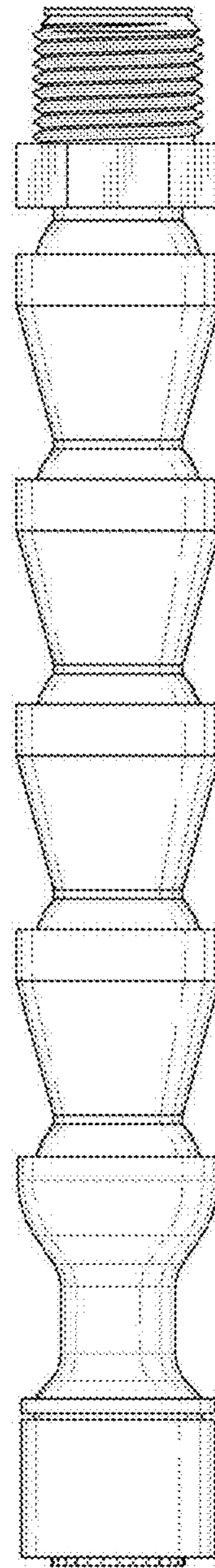
1.4



1.5

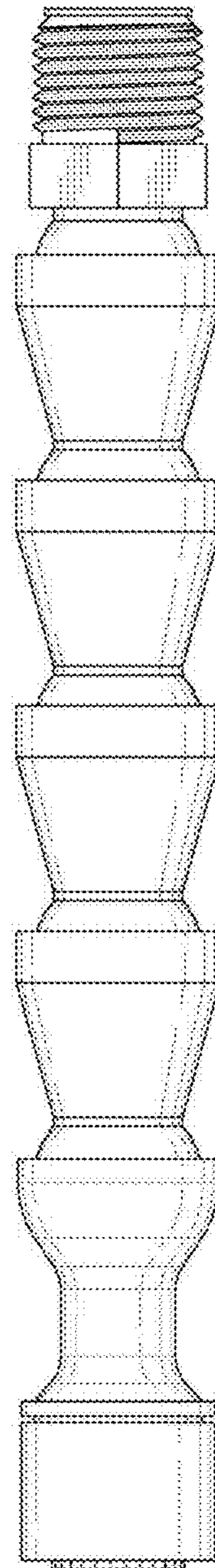


1.6

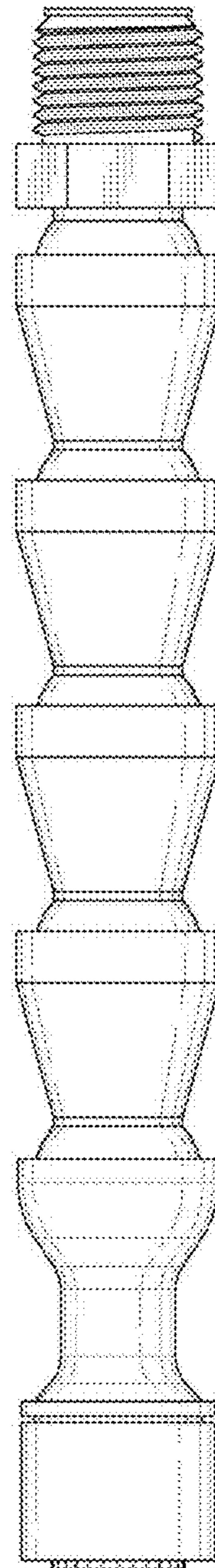




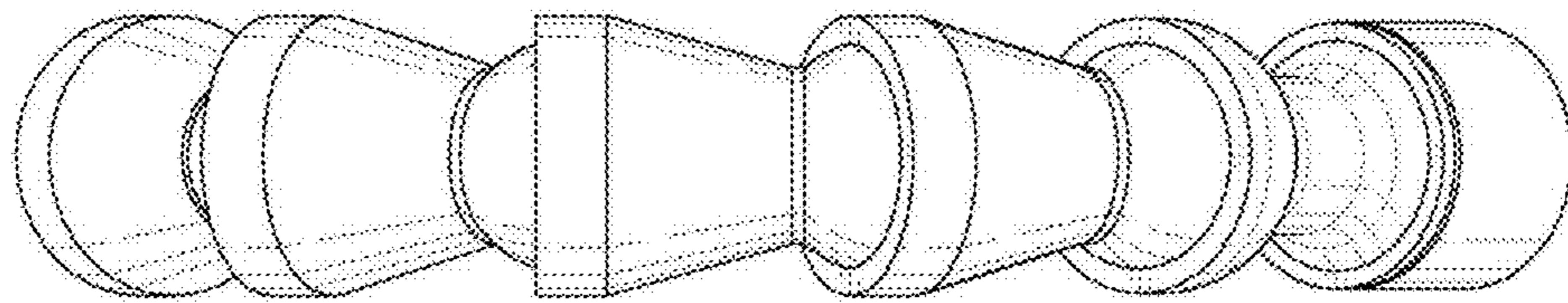
1.7



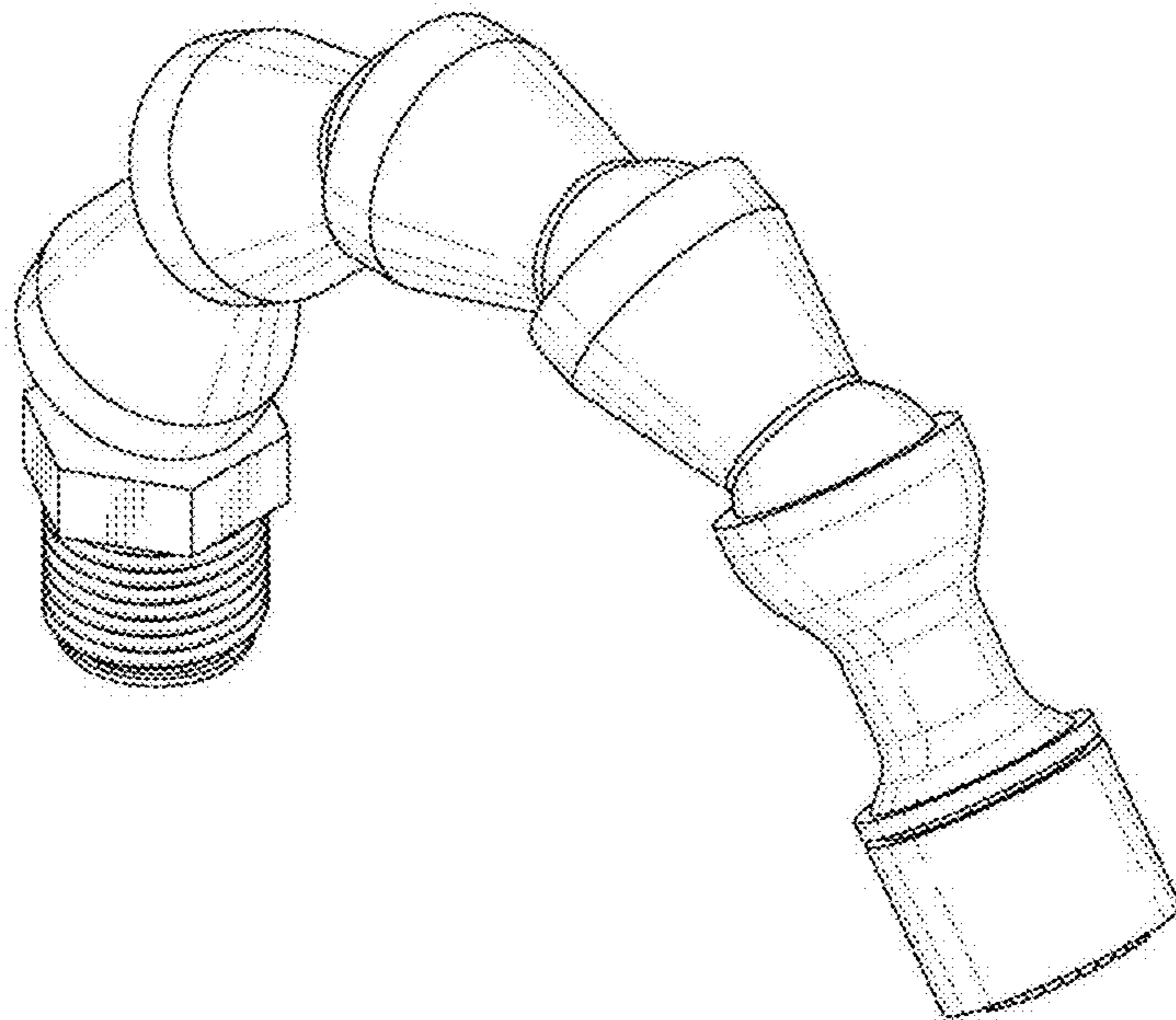
1.8



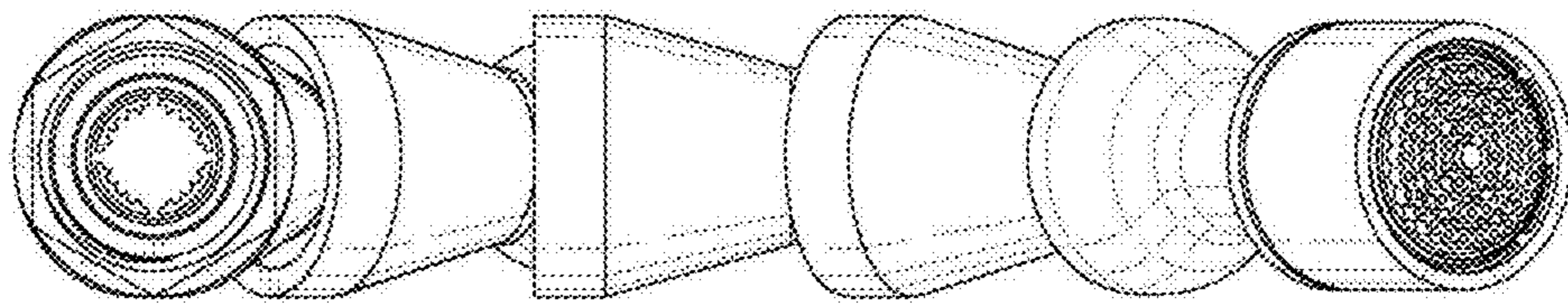
2.1



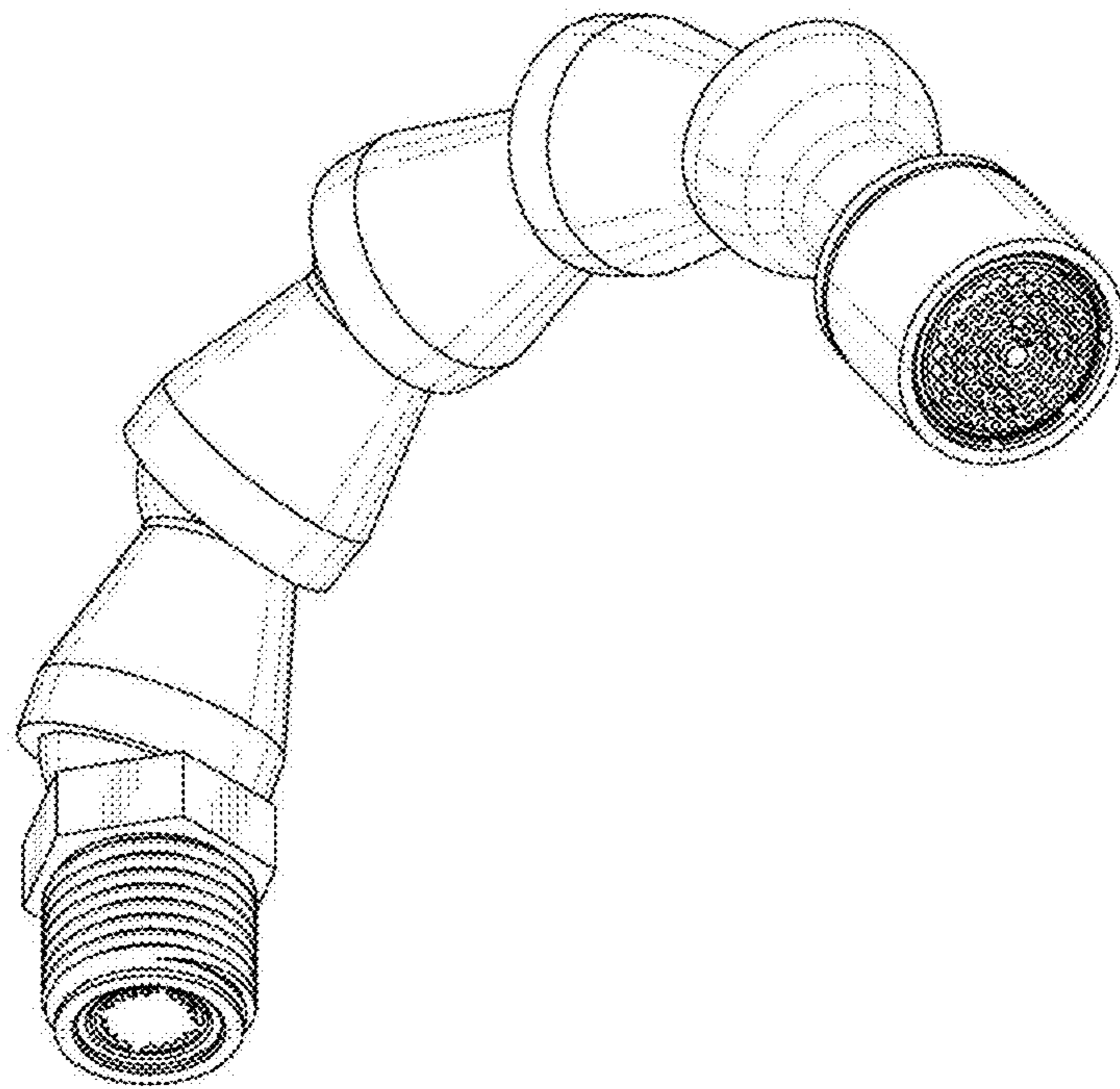
2.2



2.3

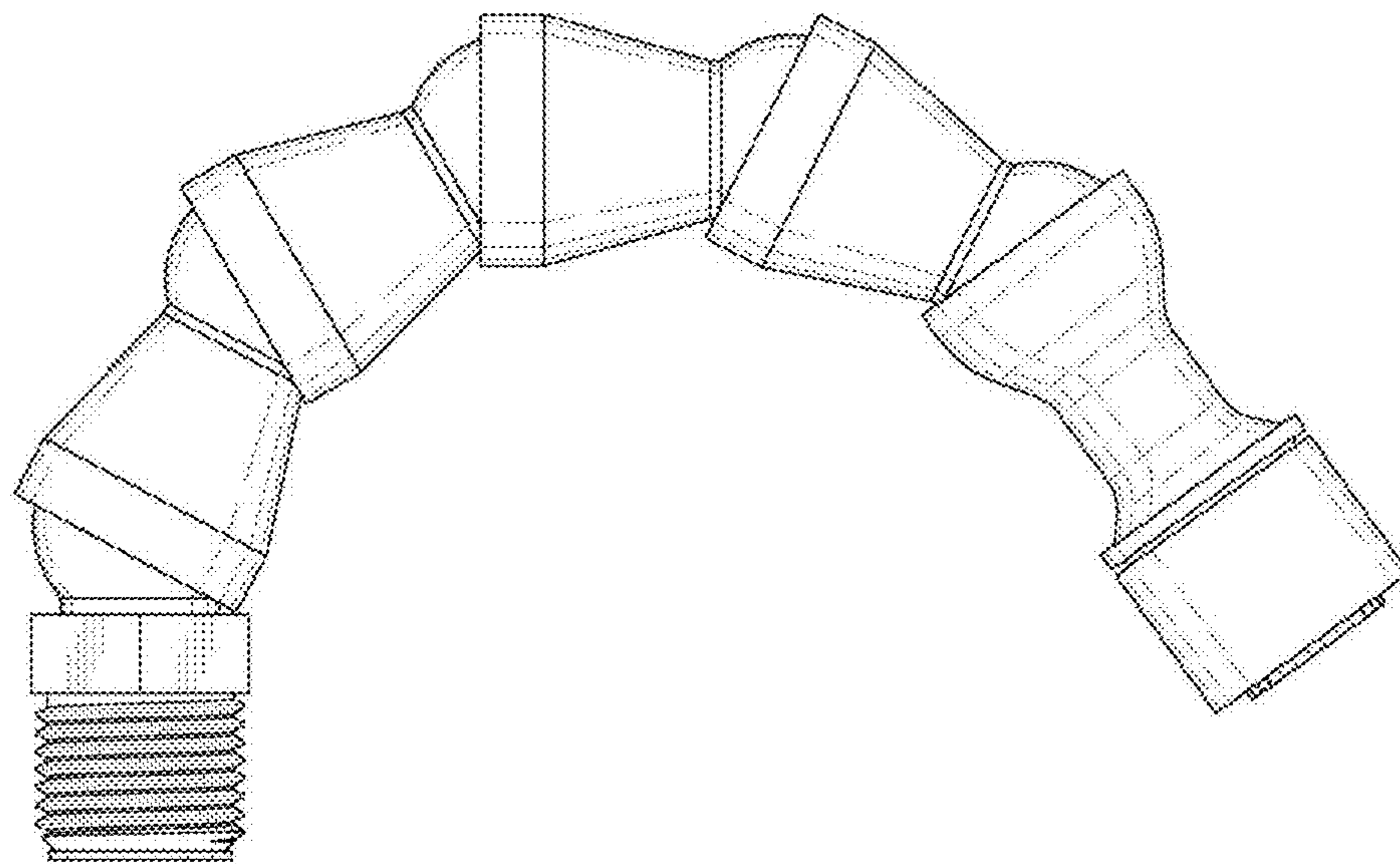


2.4

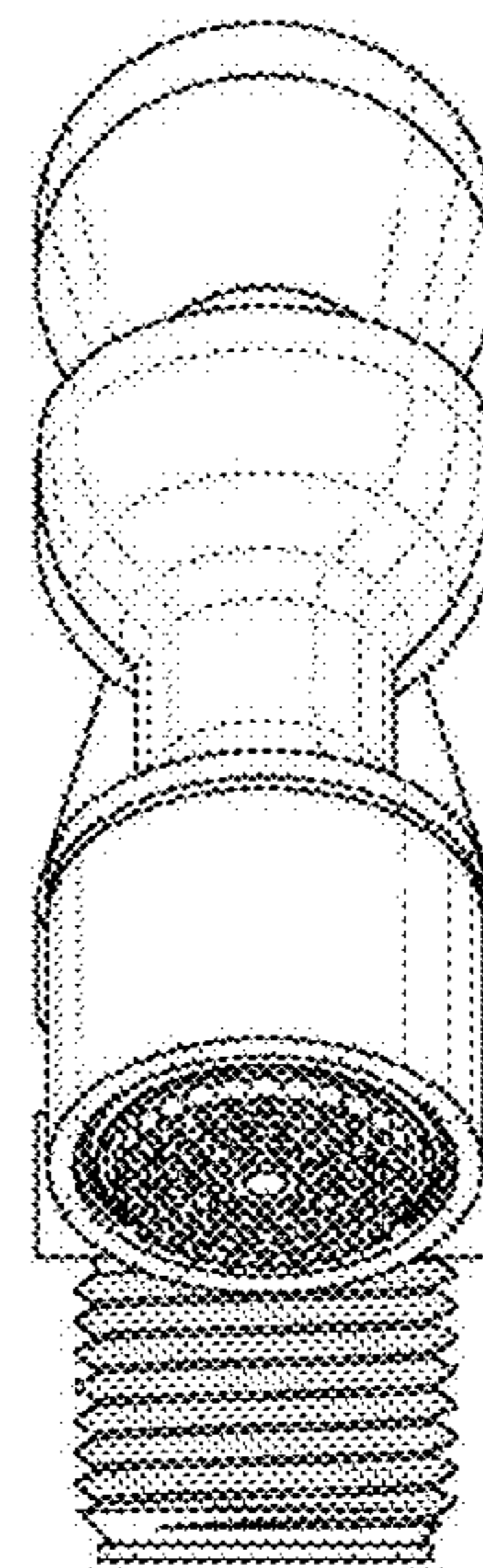




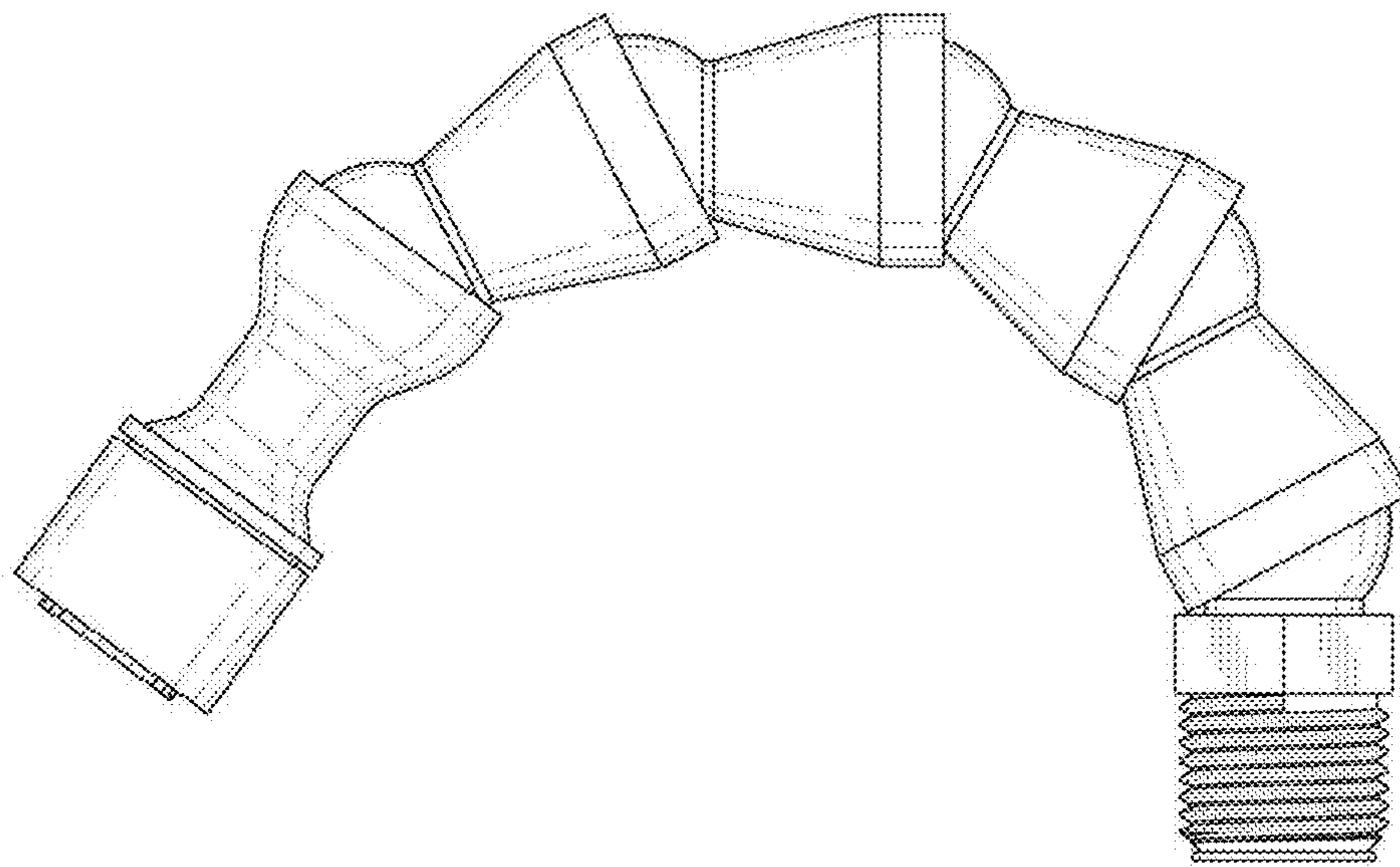
2.5



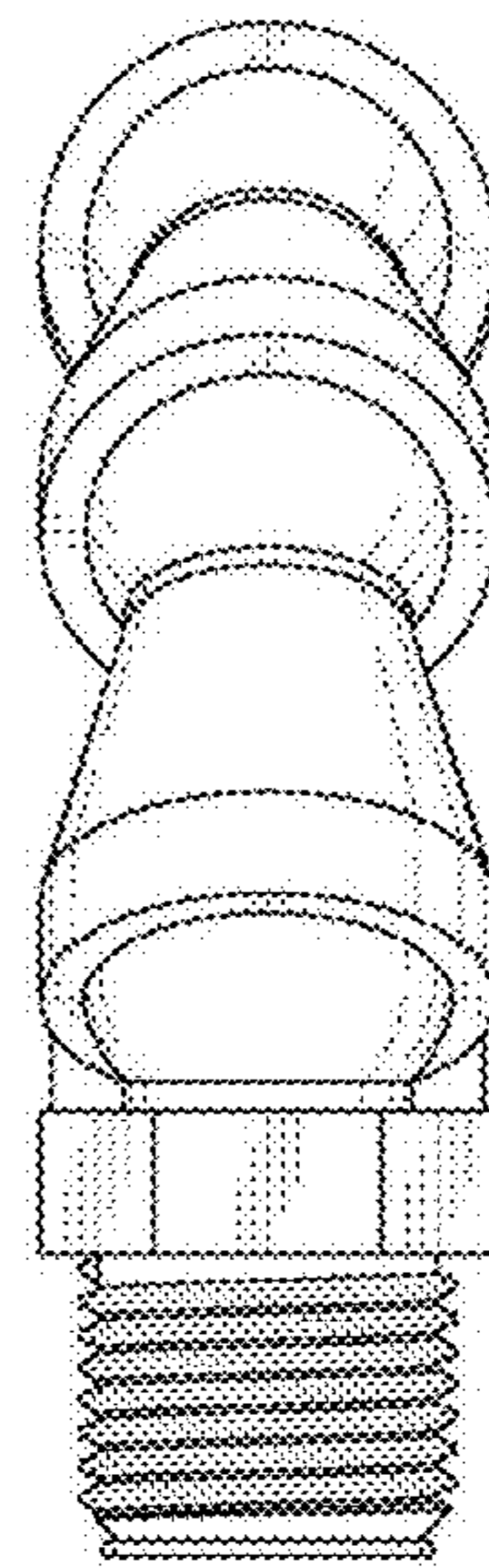
2.6



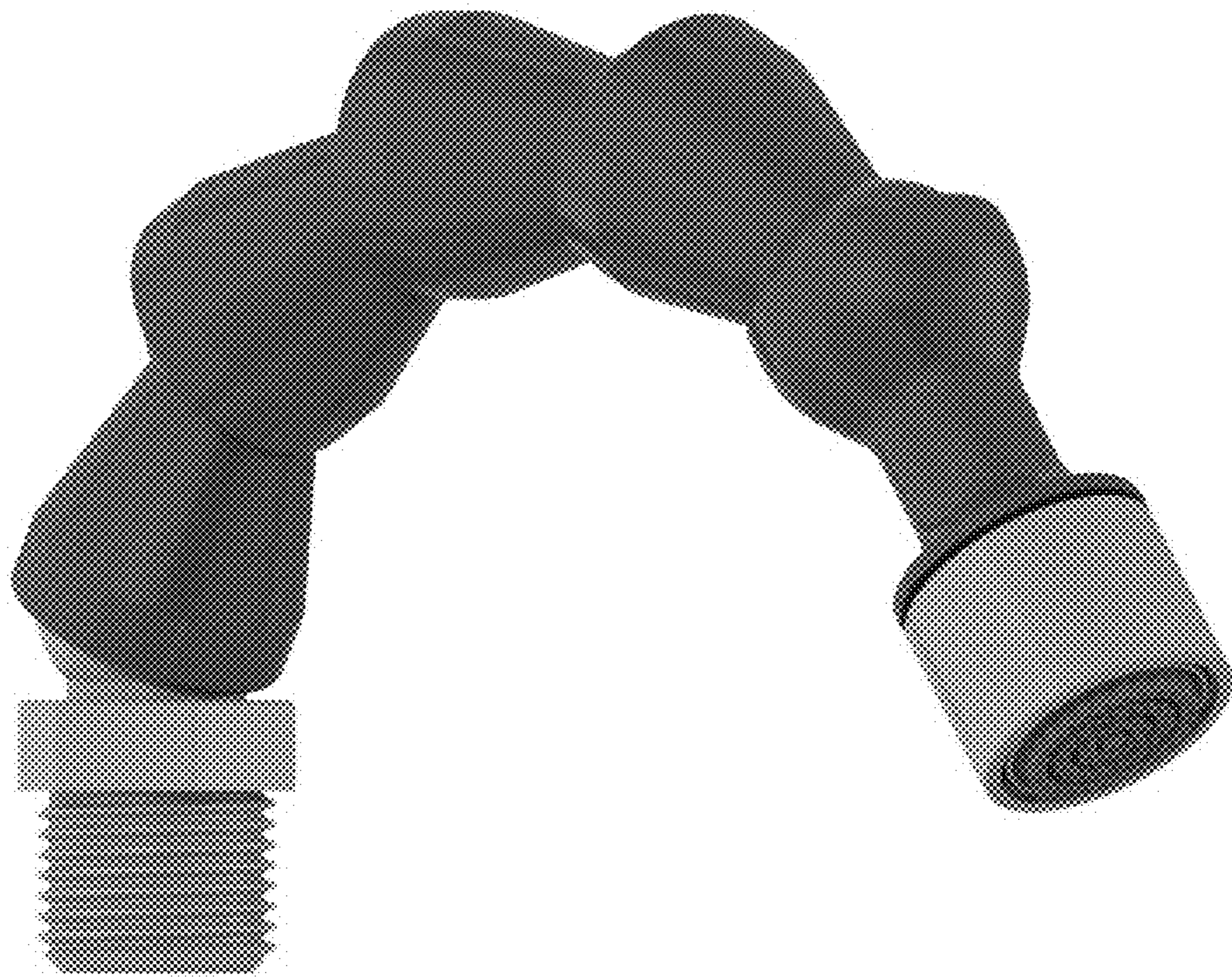
2.7



2.8

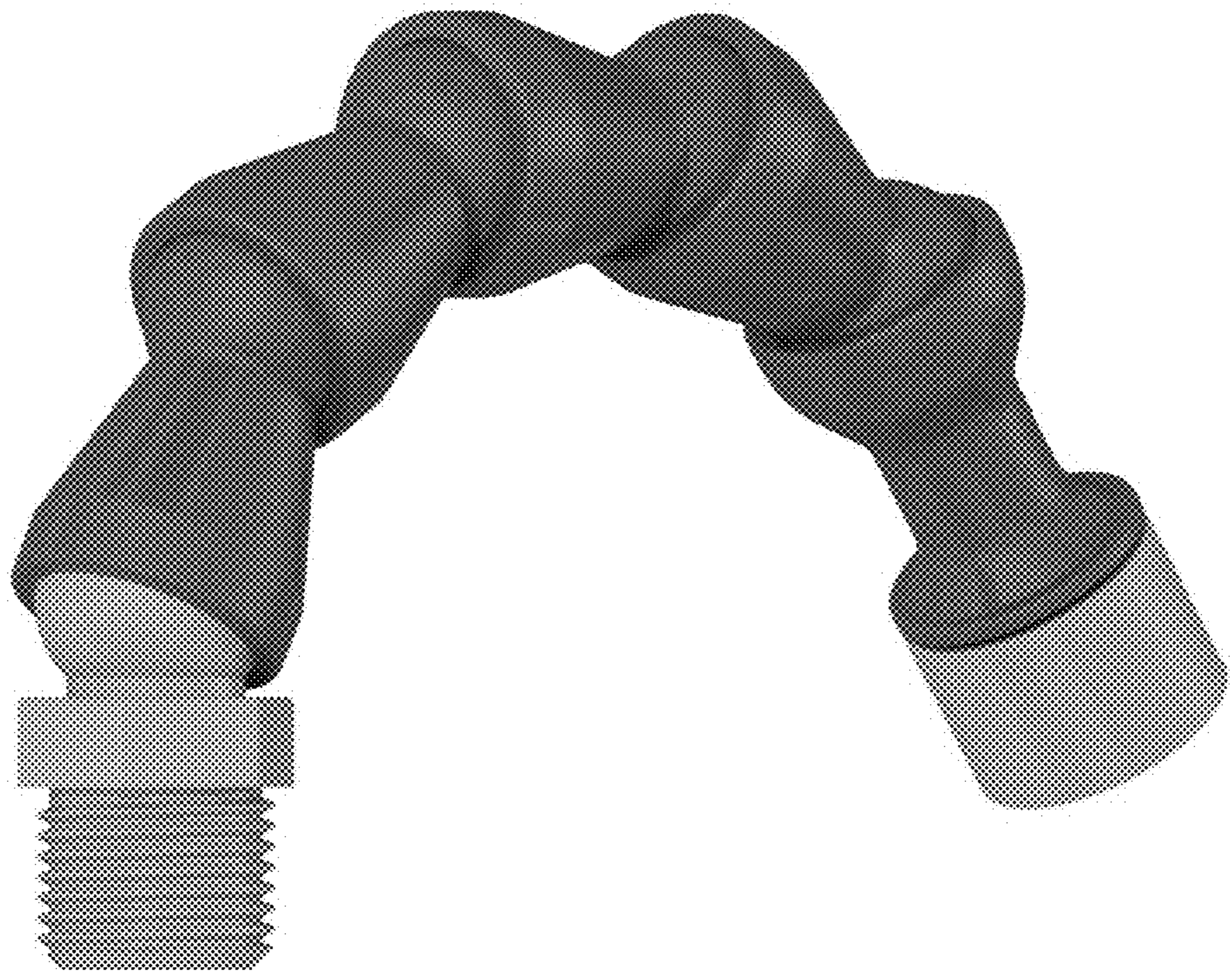


5.1



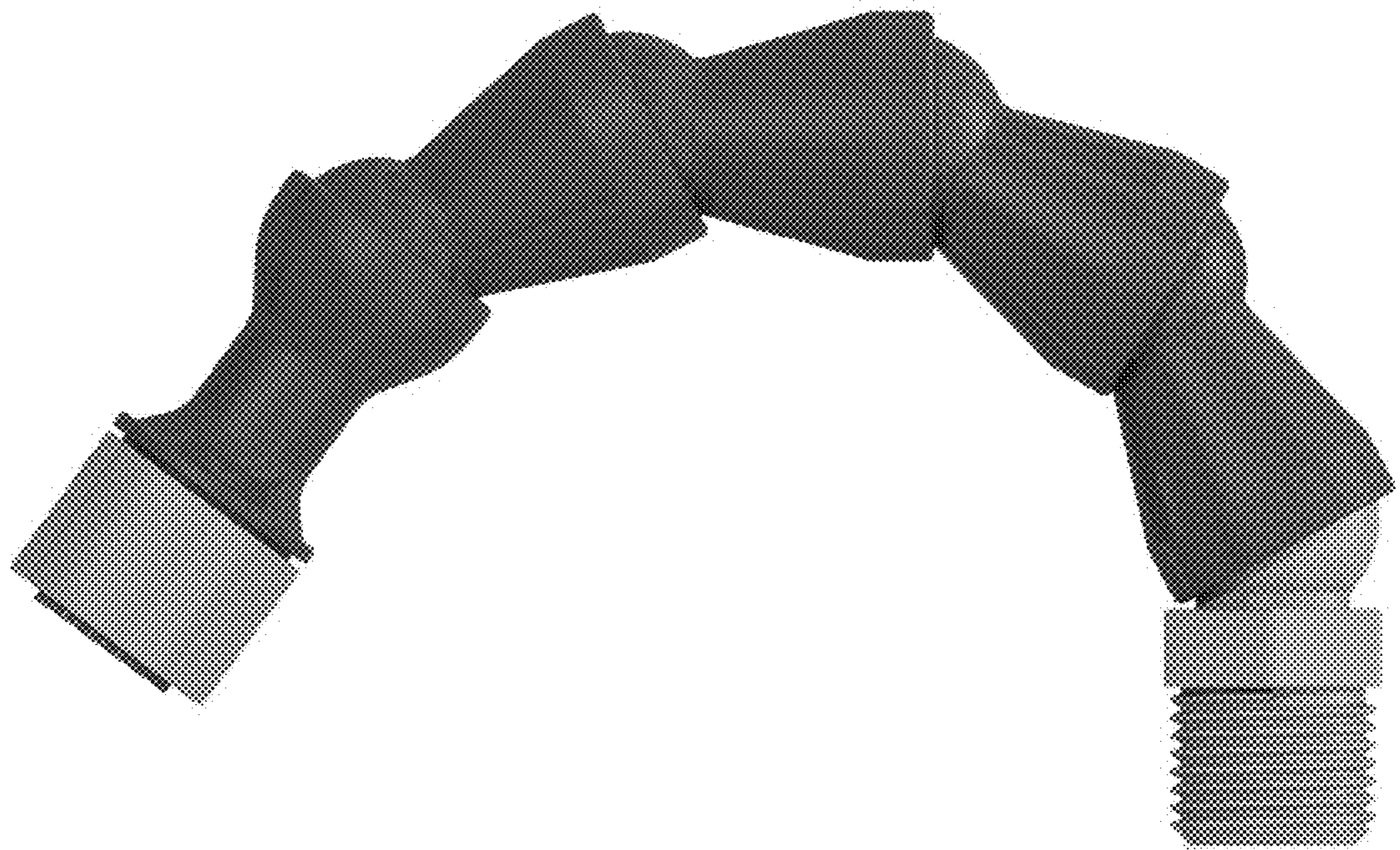


5.2



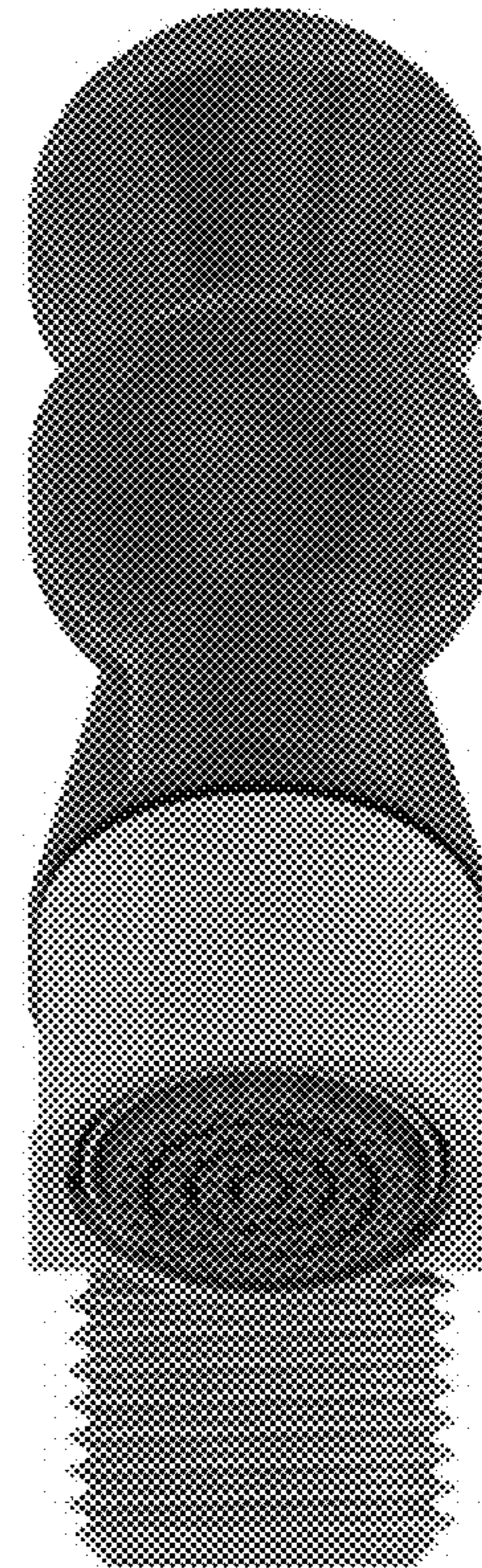


5.3

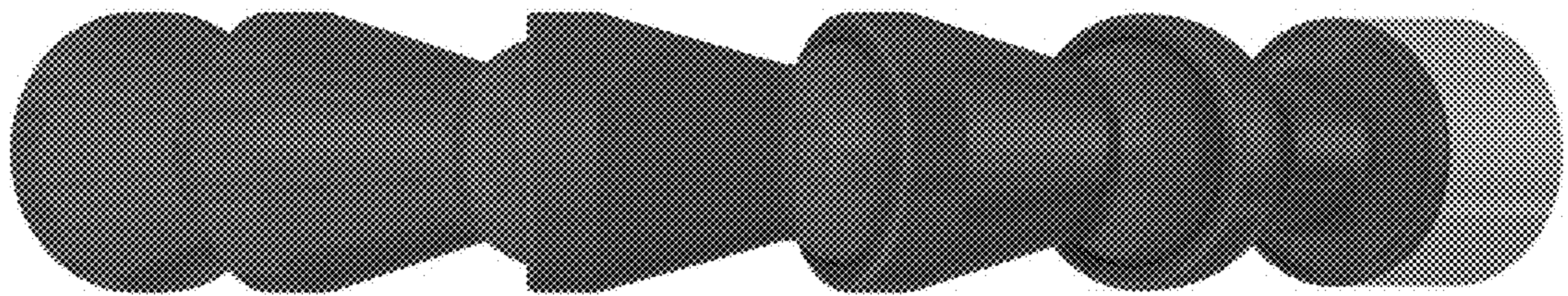


5.4

---



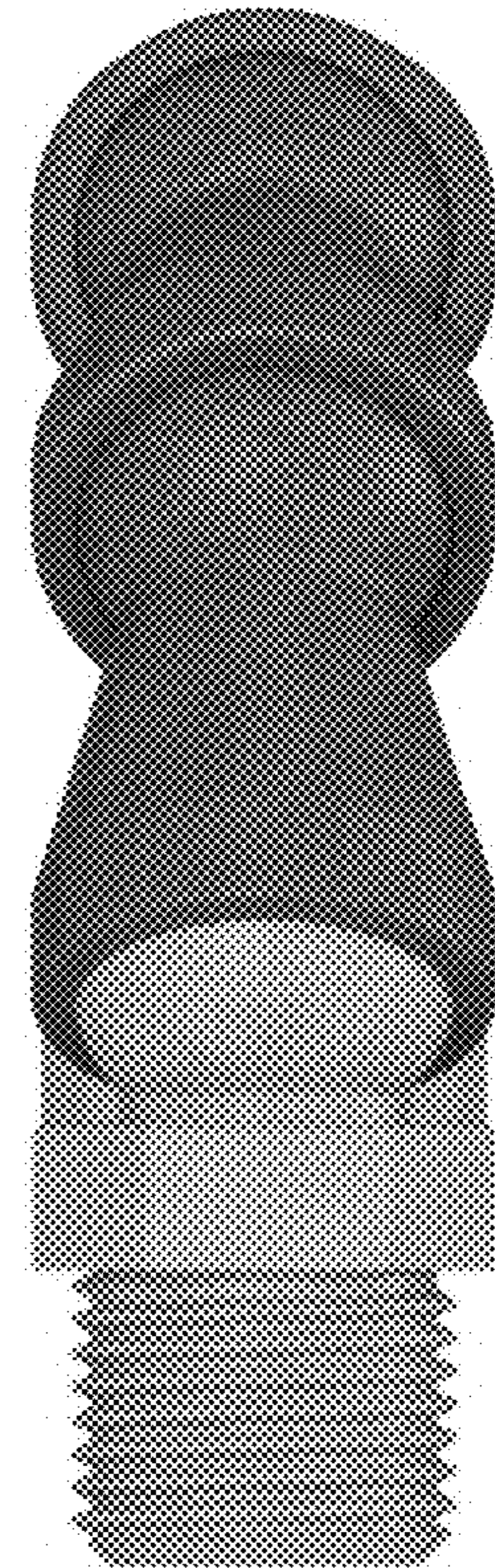
5.5



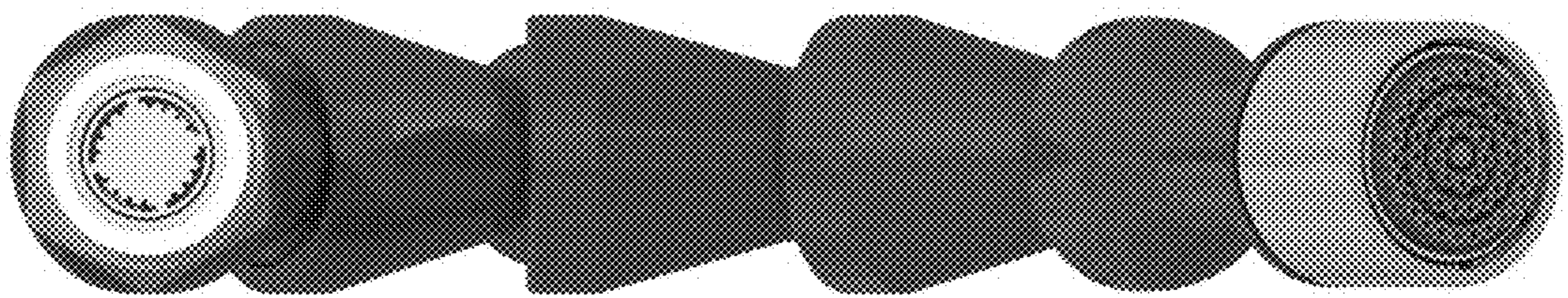


5.6

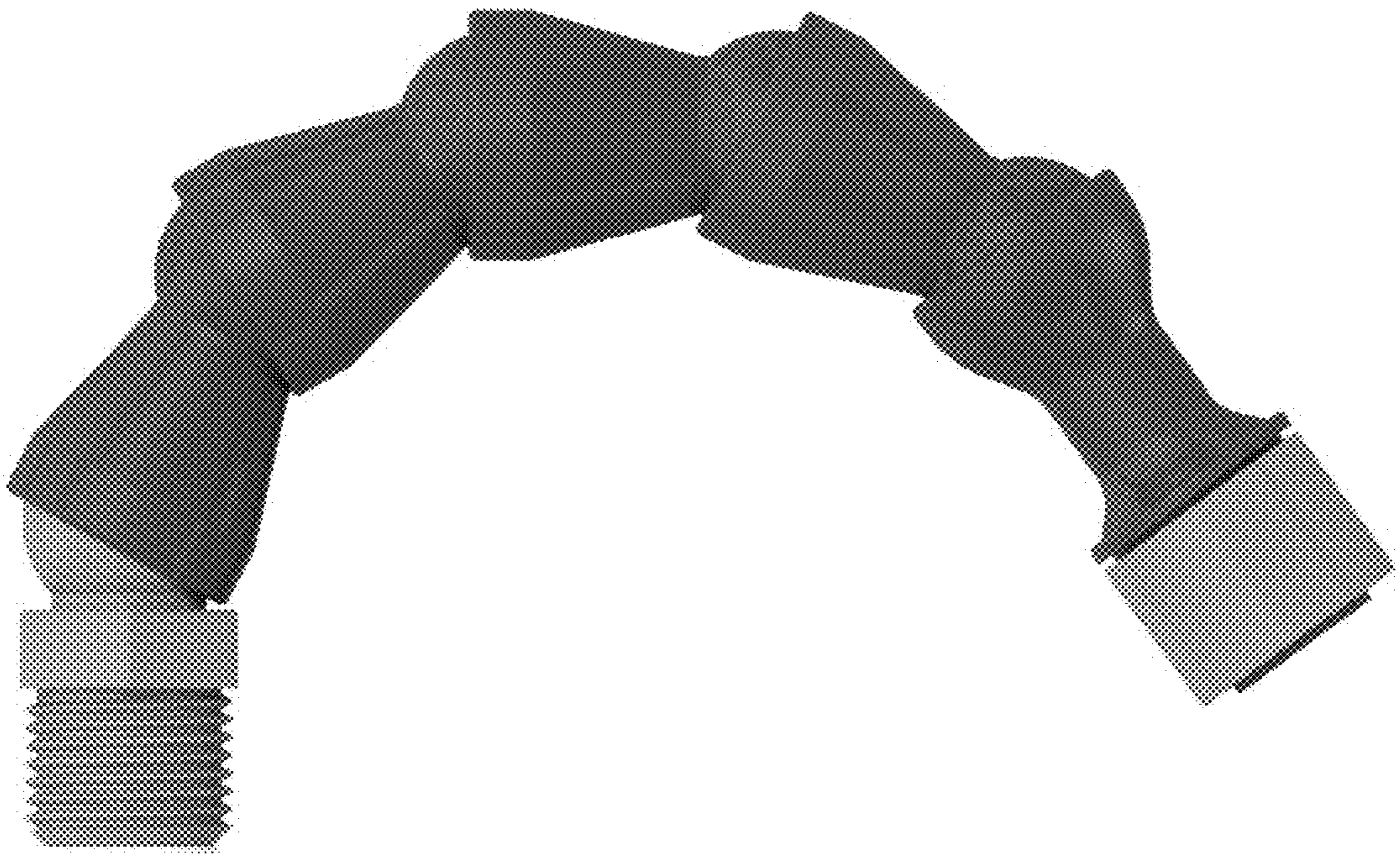
---



5.7

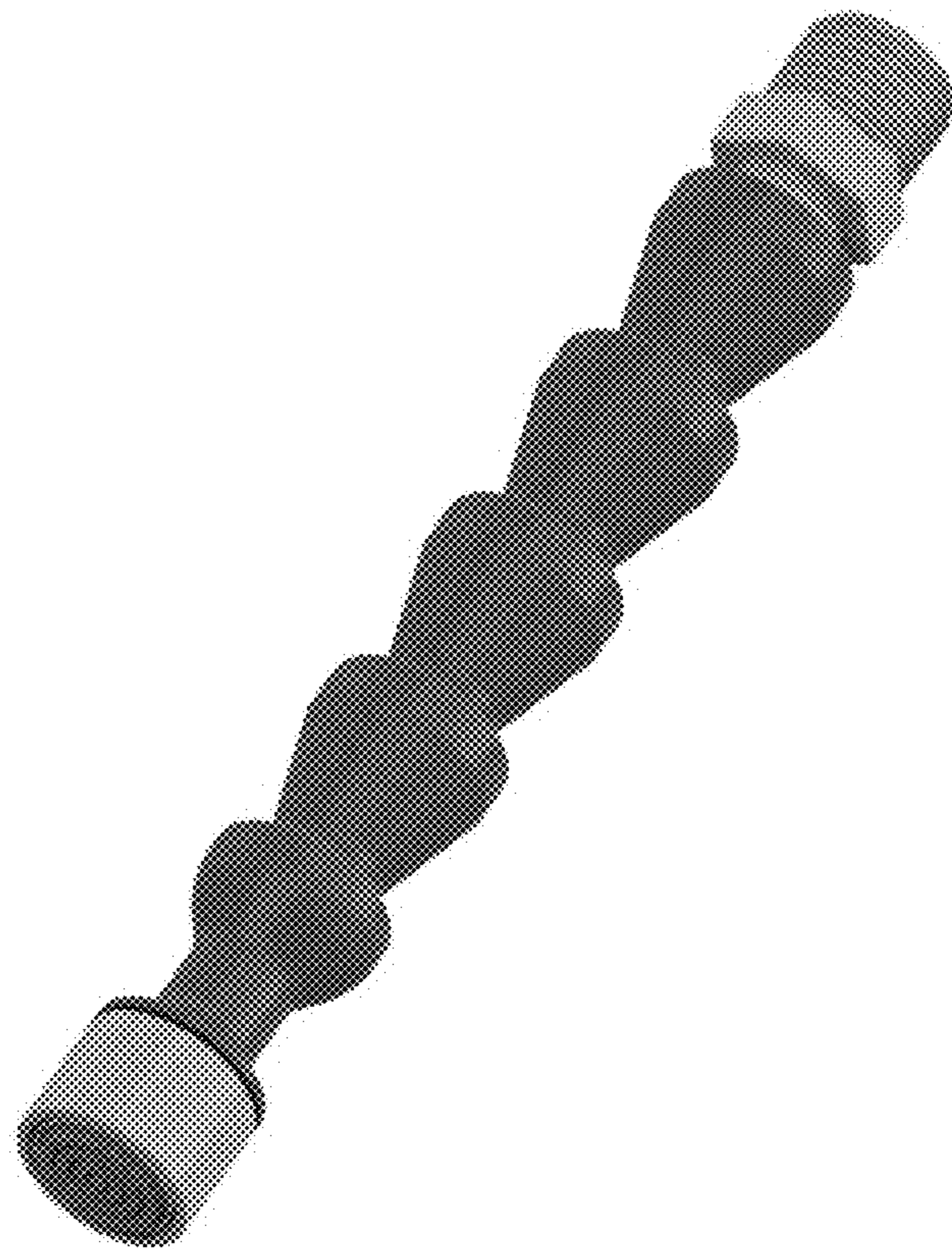


5.8

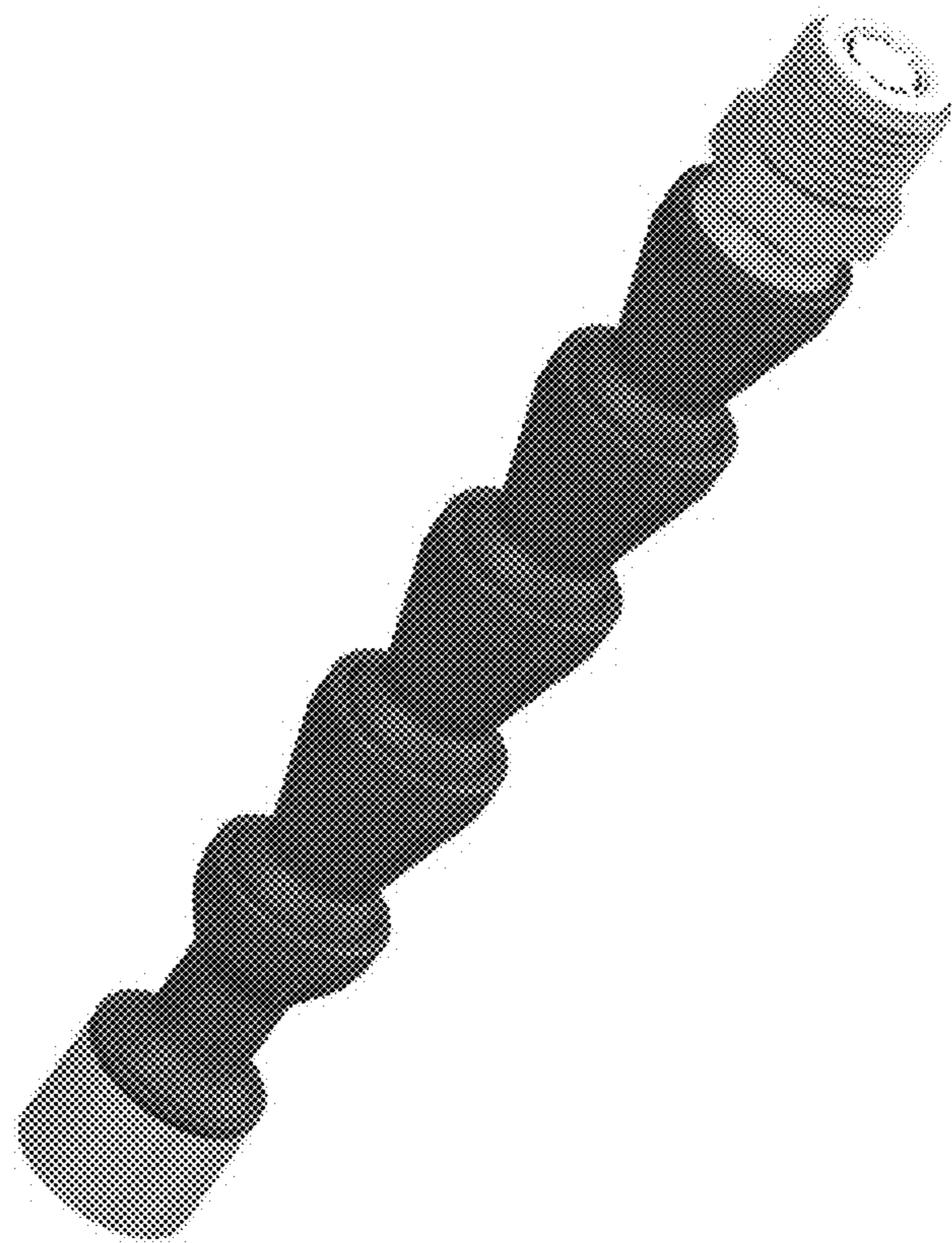




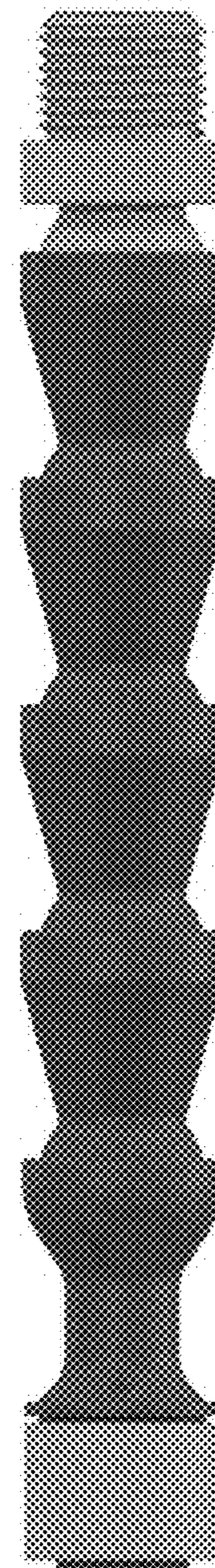
7.1



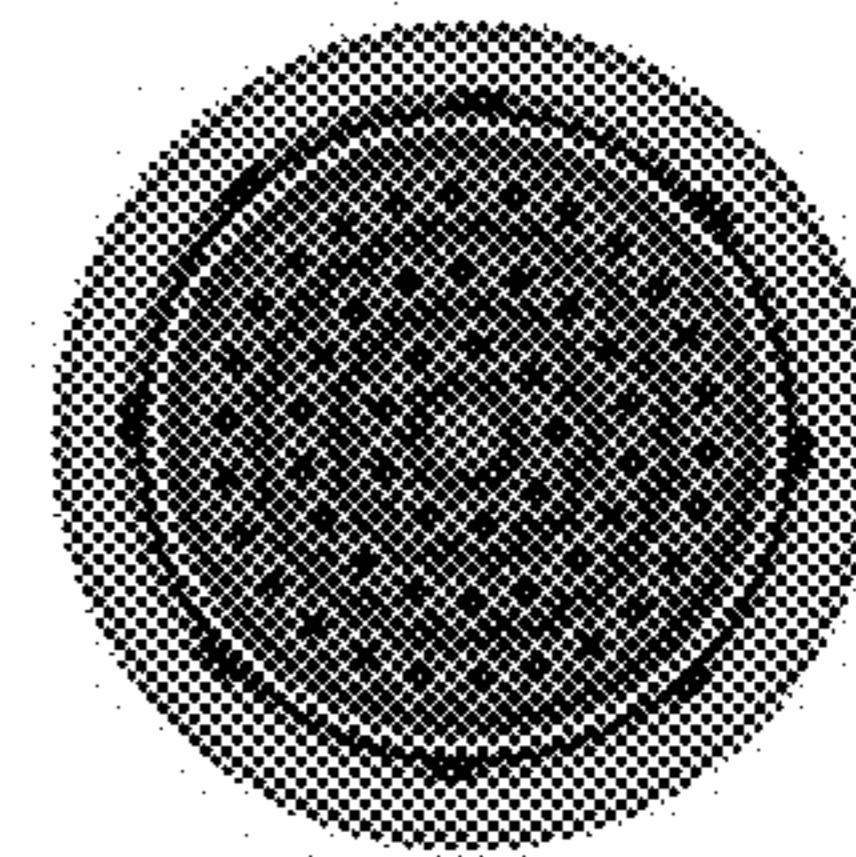
7.2



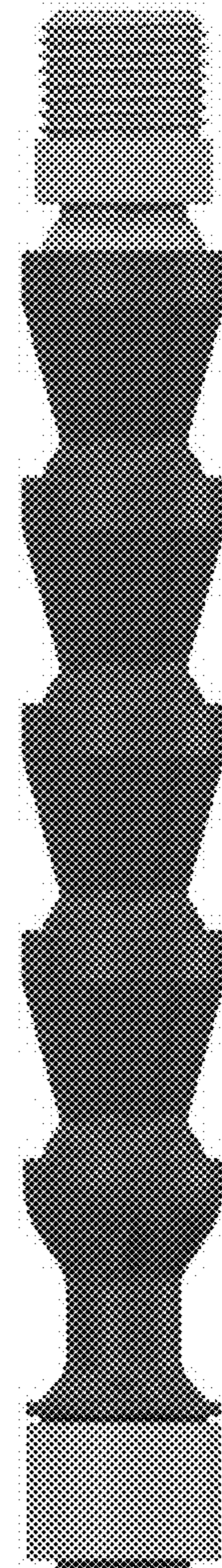
7.3



7.4

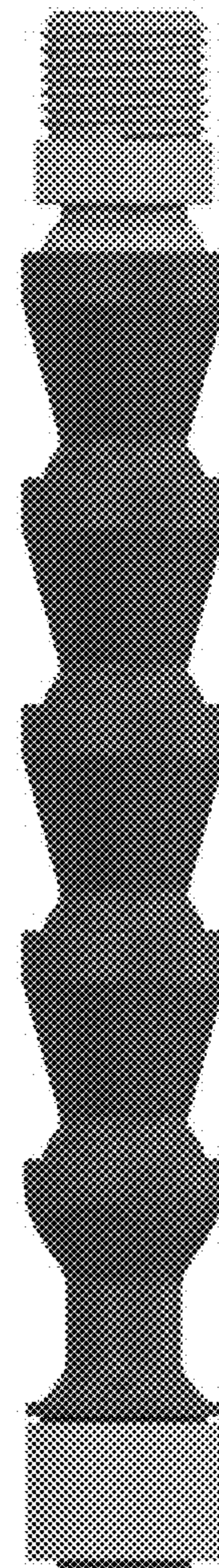


7.5



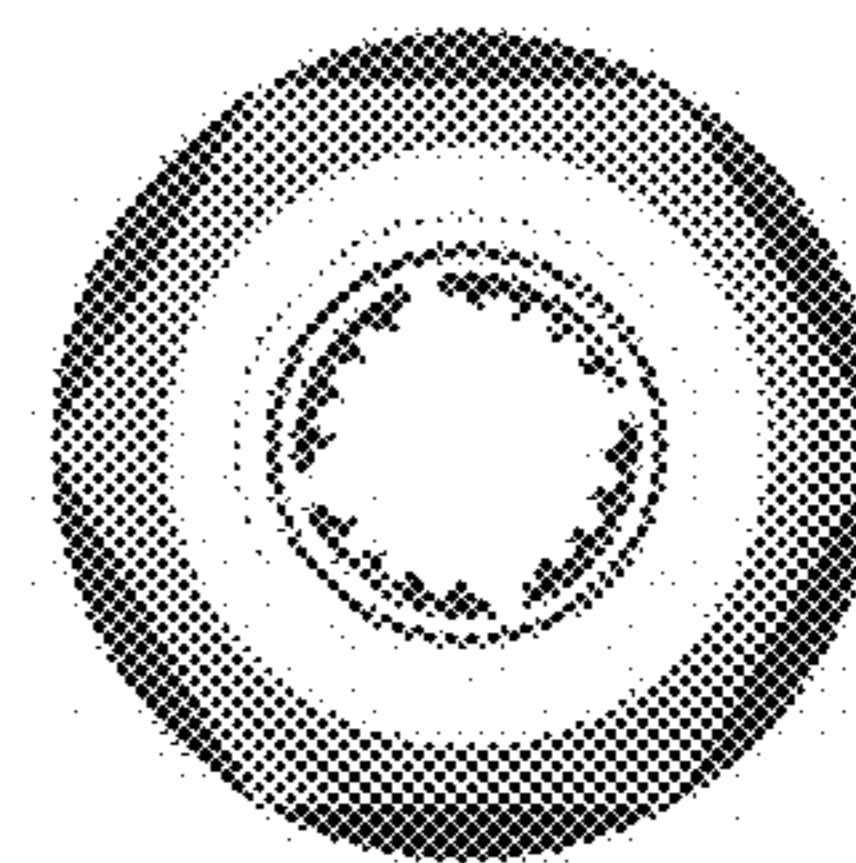


7.6





7.7



7.8

