



US00D930114S

(12) **United States Design Patent**
Huang et al.

(10) **Patent No.:** **US D930,114 S**

(45) **Date of Patent:** **** Sep. 7, 2021**

(54) **NOZZLE, WATERING SPRAY GUN HANDLE**

(71) Applicant: **Fiskars Finland Oy Ab**, Helsinki (FI)

(72) Inventors: **Chao Huang**, Helsinki (FI); **Sami Lyytikäinen**, Helsinki (FI)

(73) Assignee: **FISKARS FINLAND OY AB**, Helsinki (FI)

(**) Term: **15 Years**

(21) Appl. No.: **29/715,583**

(22) Filed: **Dec. 3, 2019**

(30) **Foreign Application Priority Data**

Jun. 4, 2019 (EM) 006565602

(51) **LOC (13) Cl.** **23-01**

(52) **U.S. Cl.**
USPC **D23/213**

(58) **Field of Classification Search**
USPC D23/213, 214, 215, 223, 224, 226, 229,
D23/230, 249, 259, 262
CPC A61H 9/0021; A61H 33/00; B05B 1/00;
B05B 1/14; B05B 1/185; B05B 1/08;
B05B 1/02; B05B 1/26; B05B 12/002;
B05B 1/18; B05B 9/01
See application file for complete search history.

(56) **References Cited**

U.S. PATENT DOCUMENTS

D330,069 S * 10/1992 Feyen D23/226
D474,258 S * 5/2003 Chen D23/226
D486,554 S * 2/2004 Nien D23/226
D746,947 S * 1/2016 Naslund D23/223
D782,004 S * 3/2017 Naslund D23/223

D782,005 S * 3/2017 Naslund D23/223
D824,490 S * 7/2018 Montoya D23/223
D824,491 S * 7/2018 Montoya D23/223
D881,343 S * 4/2020 Huang D23/226
D889,597 S * 7/2020 Dammkoehler D23/213
D892,977 S * 8/2020 Zhang D23/223
D898,164 S * 10/2020 Ruan D23/213
D913,421 S * 3/2021 Yang D23/223

OTHER PUBLICATIONS

Gardena 8185 Comfort Dou Two Pattern Garden Hose Spray Nozzle, Apr. 11, 2011, Amazon.com, Jun. 1, 2021 <https://www.amazon.com/dp/B0013HS2B8/> (Year: 2011).*

* cited by examiner

Primary Examiner — Jack Reickel

Assistant Examiner — Keith J Wilson

(74) *Attorney, Agent, or Firm* — Leason Ellis LLP

(57) **CLAIM**

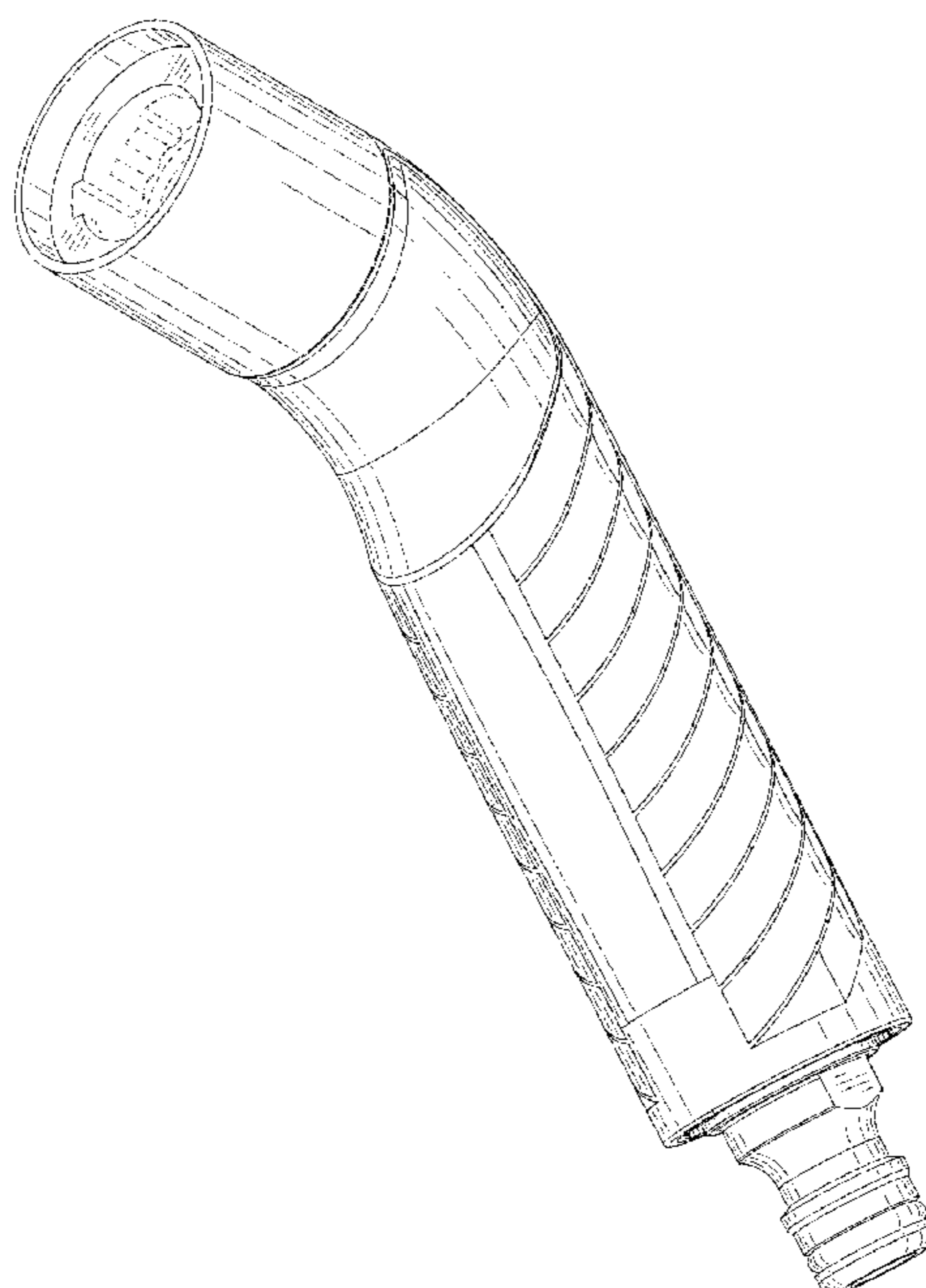
The ornamental design for a nozzle, watering spray gun handle, as shown and described.

DESCRIPTION

FIG. 1 is a perspective view of our nozzle, watering spray gun handle according to our new design; FIG. 2 is a front elevation view thereof; FIG. 3 is a rear elevation view thereof; FIG. 4 is a right side elevation view thereof; FIG. 5 is a left side elevation view thereof; FIG. 6 is a top plan view thereof; and, FIG. 7 is a bottom plan view thereof.

Conventional shading is illustrated for purposes of highlighting the line drawings, but forms no part of the claimed design.

1 Claim, 7 Drawing Sheets



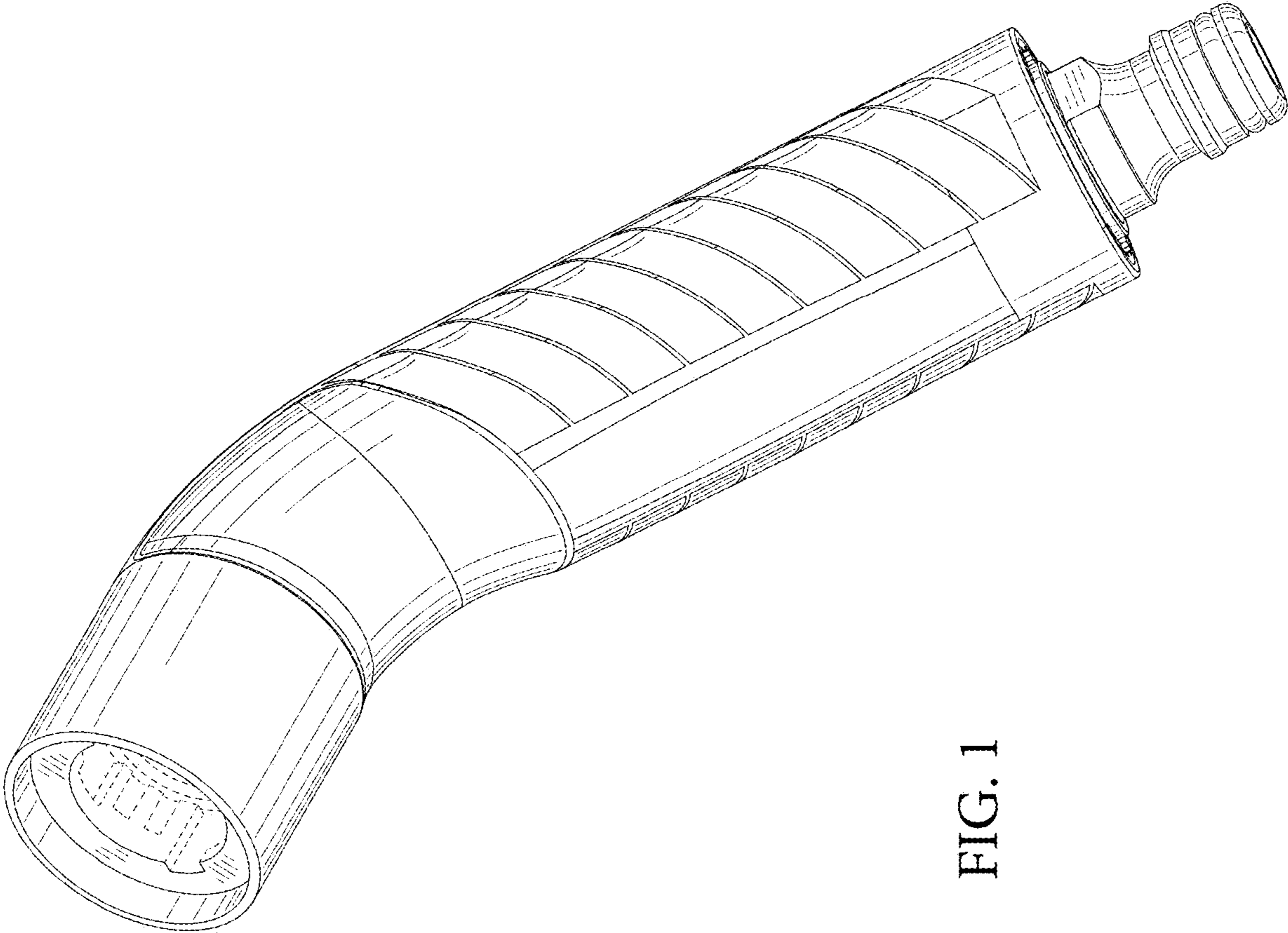


FIG. 1

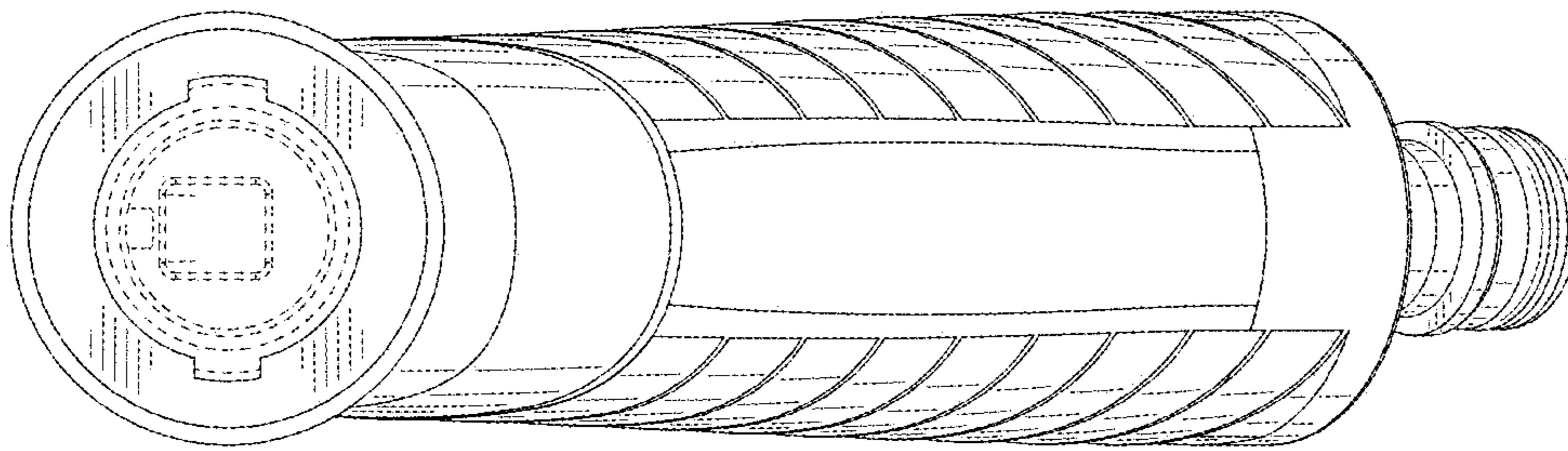


FIG. 2

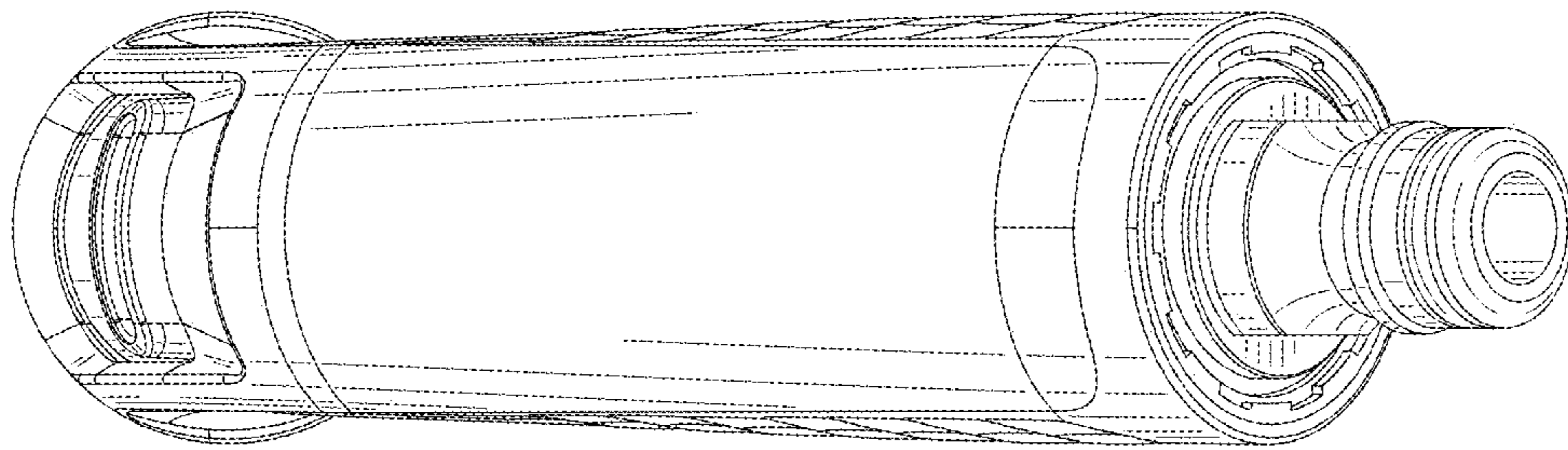


FIG. 3

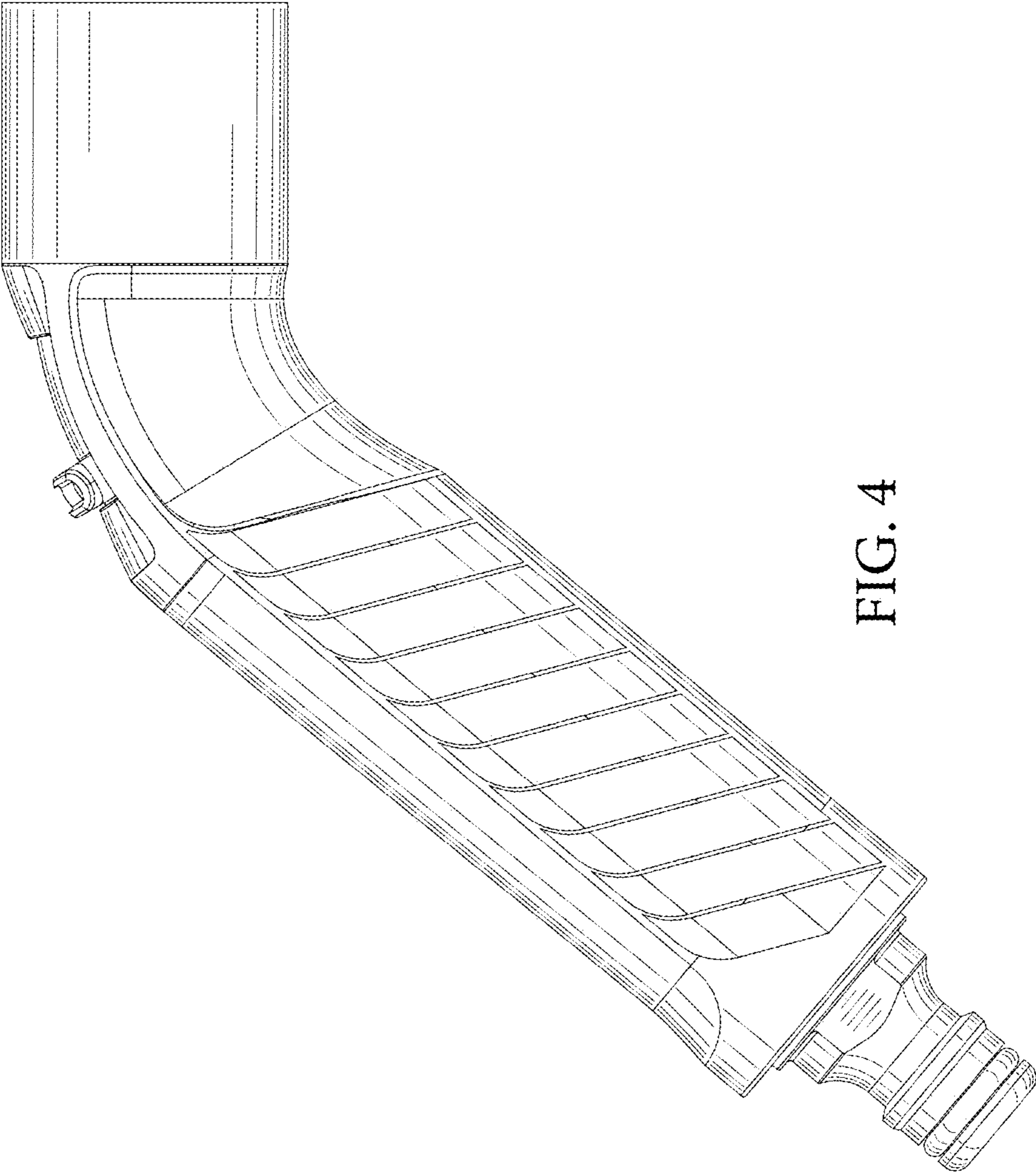


FIG. 4

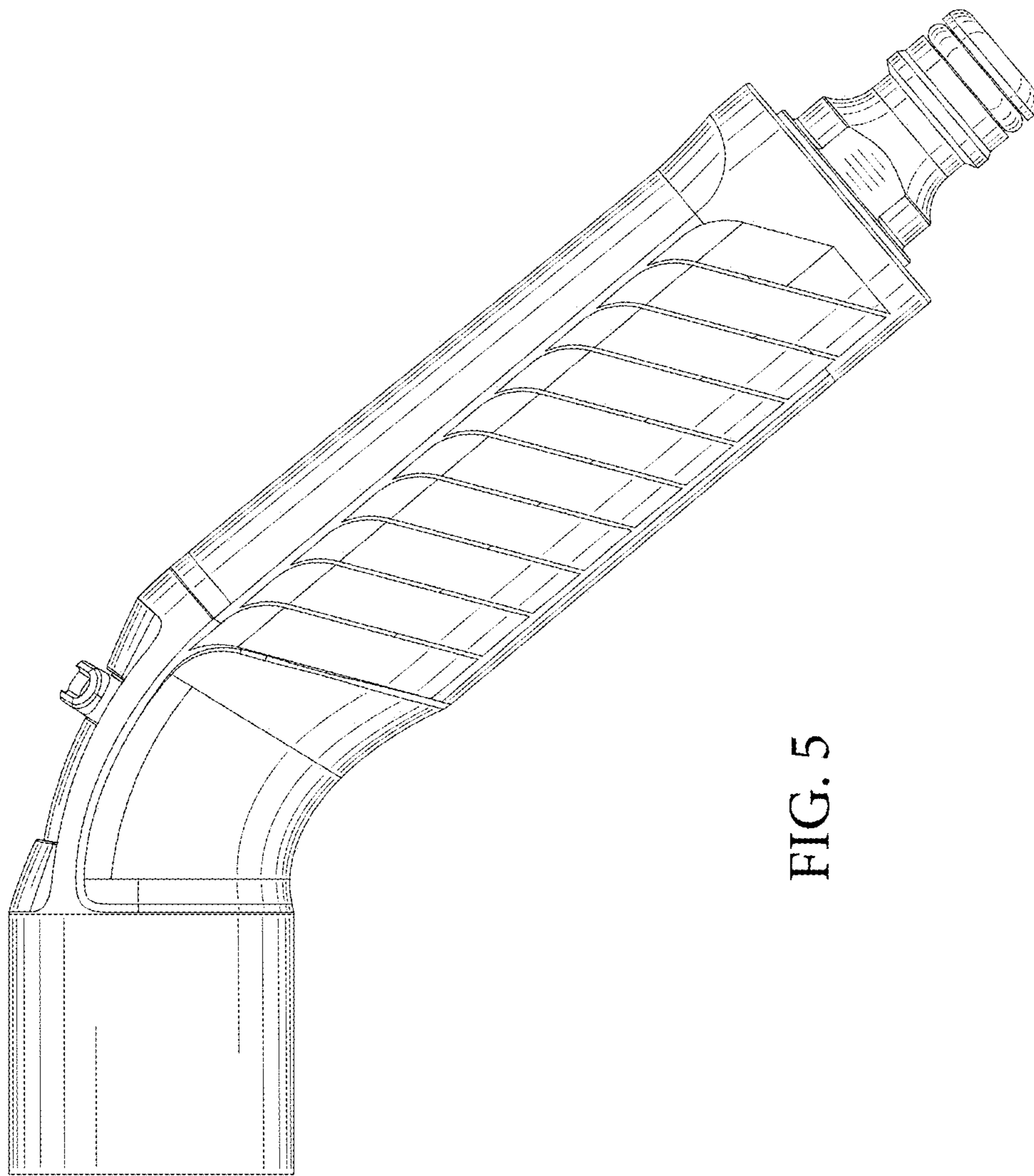


FIG. 5

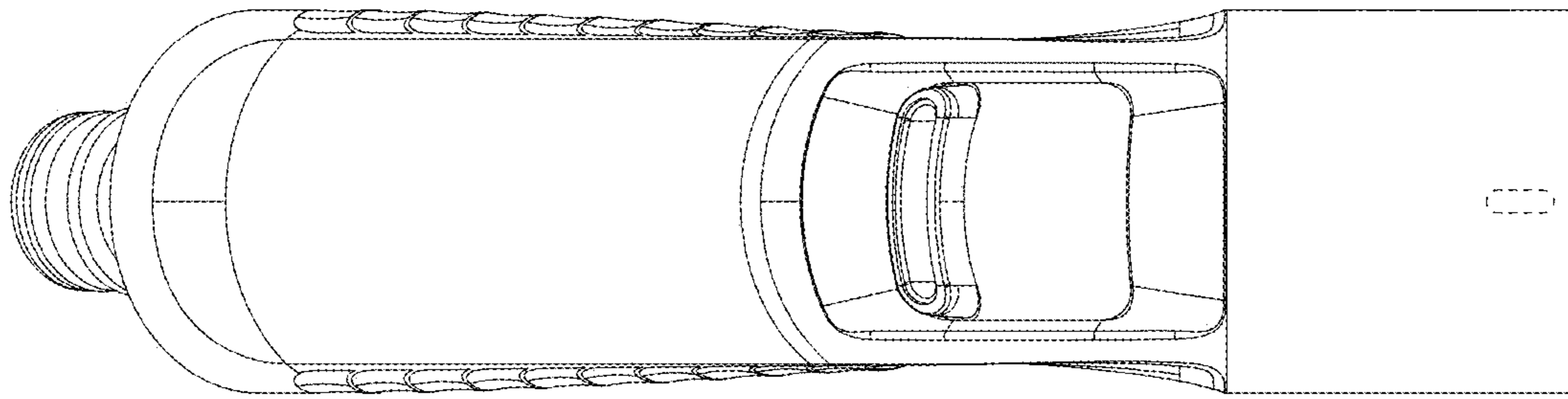


FIG. 6

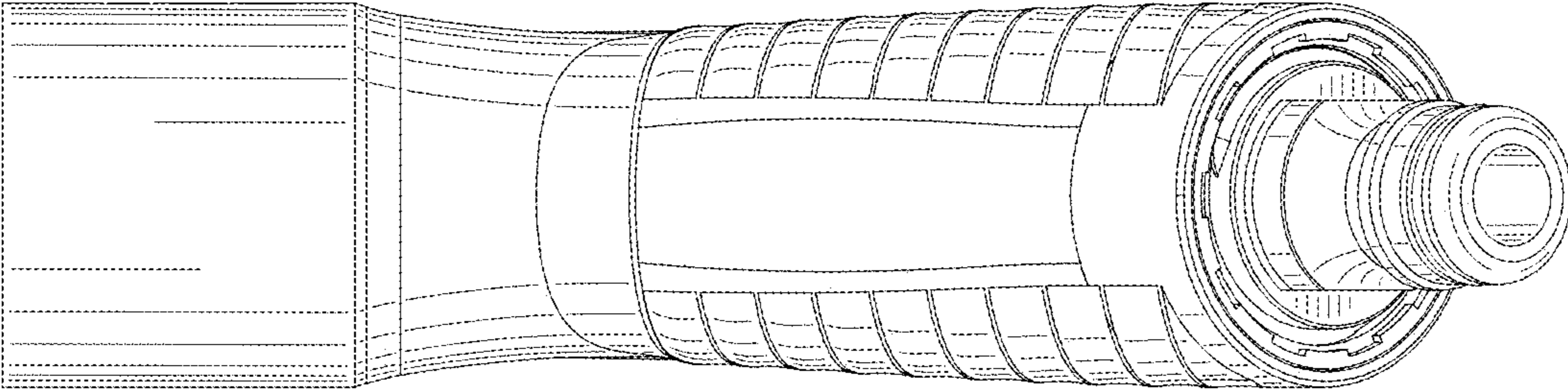


FIG. 7