



US00D930113S

(12) **United States Design Patent**
Dubiel et al.

(10) **Patent No.:** **US D930,113 S**
(45) **Date of Patent:** **** Sep. 7, 2021**

(54) **WET/DRY HOSE END SPRAYER**
(71) Applicant: **Chapin Manufacturing, Inc.**, Batavia, NY (US)
(72) Inventors: **David J. Dubiel**, Franconia, NH (US);
James R. Fontaine, Marilla, NY (US);
Mark T. MacLean-Blevins,
Westminster, MD (US)

6,659,117 B2 12/2003 Gilmore
6,672,520 B2 1/2004 Shanklin et al.
6,902,668 B2 6/2005 Benham
6,913,209 B2 7/2005 Shanklin et al.

(Continued)

(73) Assignee: **Chapin Manufacturing, Inc.**, Batavia, NY (US)

FOREIGN PATENT DOCUMENTS

WO 2005095722 10/2005
WO 2017134558 8/2017
WO 2018234752 12/2018

(**) Term: **15 Years**

(21) Appl. No.: **29/711,095**

(22) Filed: **Oct. 29, 2019**

(51) **LOC (13) Cl.** **23-01**

(52) **U.S. Cl.**
USPC **D23/213**

(58) **Field of Classification Search**
USPC D23/213, 214, 215, 223, 224, 226, 229
CPC A61H 9/0021; A61H 33/00; B05B 1/00;
B05B 1/14; B05B 1/185; B05B 1/08;
B05B 1/02; B05B 1/26; B05B 12/002;
B05B 1/18; B05B 9/01

See application file for complete search history.

OTHER PUBLICATIONS

Ortho Dial N Spray Hose End Sprayer, Jun. 13, 2016, Amazon.com, Jul. 14, 2021, URL: <https://www.amazon.com/Ortho-Spray-Multi-Use-Hose-End-Sprayer/dp/B0071D0EZK> (Year: 2016).*

(Continued)

Primary Examiner — Jack Reickel

Assistant Examiner — Keith J Wilson

(74) *Attorney, Agent, or Firm* — Woods Oviatt Gilman LLP; Katherine H. McGuire, Esq.

(57) **CLAIM**

The ornamental design for the wet/dry hose end sprayer, as shown and described.

DESCRIPTION

FIG. 1 is a front perspective view of a first embodiment of a wet/dry hose end sprayer of our new design;
FIG. 2 is a back view thereof;
FIG. 3 is a front view thereof;
FIG. 4 is a right side view thereof;
FIG. 5 is a left side view thereof;
FIG. 6 is a top view thereof; and,
FIG. 7 is a bottom view thereof.

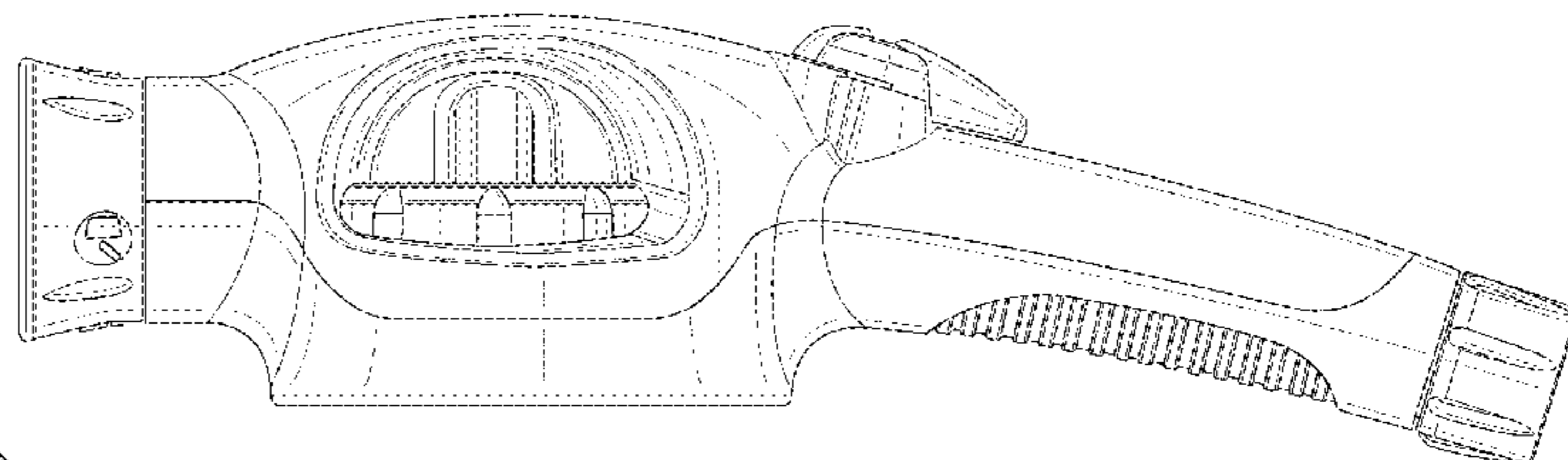
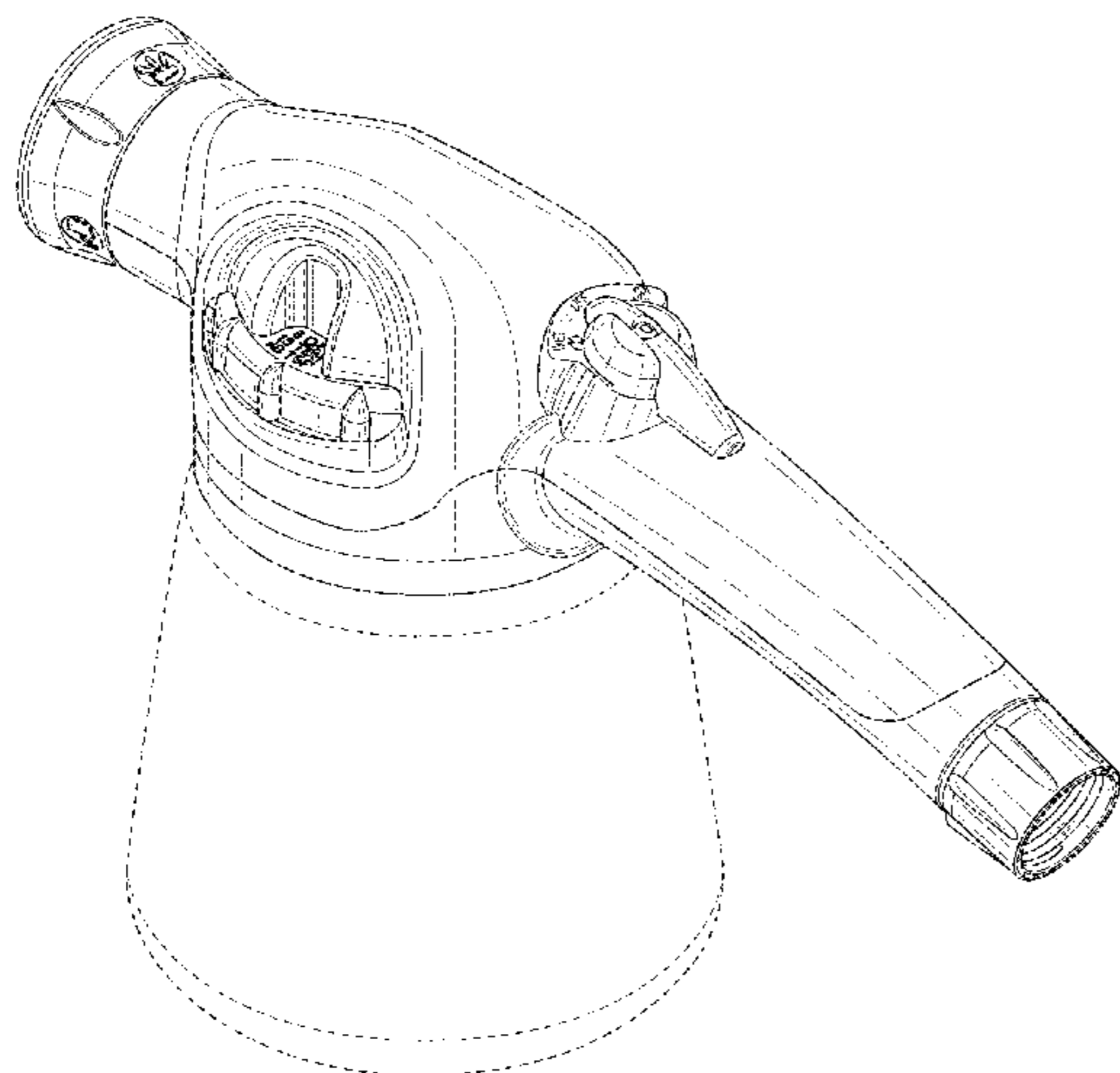
The broken line showing of the spray bottle is for purpose of illustrating environmental structure and forms no part of the claimed design.

1 Claim, 7 Drawing Sheets

(56) **References Cited**

U.S. PATENT DOCUMENTS

3,770,205 A 11/1973 Proctor et al.
4,347,224 A 8/1982 Beckert et al.
4,901,923 A 2/1990 McRoskey et al.
5,183,206 A 2/1993 Gavin
5,303,729 A 4/1994 DeMarco
D445,872 S * 7/2001 Ketcham D23/225
6,378,785 B1 4/2002 Dodd
6,425,534 B2 7/2002 Ketcham et al.
6,546,949 B1 4/2003 Gilmore
6,578,776 B1 6/2003 Shanklin et al.
6,604,546 B1 8/2003 Gilmore



(56)

References Cited

U.S. PATENT DOCUMENTS

7,118,049 B2 10/2006 Dodd
 7,188,786 B2 * 3/2007 Dodd B01F 5/0428
 239/310
 7,296,761 B1 * 11/2007 Laible A62C 13/76
 137/605
 7,322,534 B2 * 1/2008 Bartsch B01J 47/026
 239/302
 7,325,752 B2 2/2008 Shanklin et al.
 7,407,117 B2 * 8/2008 Dodd B05B 7/2443
 222/145.8
 8,464,663 B2 6/2013 Kodat
 D709,988 S * 7/2014 Ford D23/213
 9,062,777 B2 6/2015 Shanklin et al.
 D760,870 S * 7/2016 Popek D23/225
 D761,937 S * 7/2016 Popek D23/225
 10,118,137 B2 11/2018 Schwartz et al.
 10,138,110 B2 11/2018 Bates et al.
 10,160,677 B2 12/2018 Ferguson et al.

D907,744 S * 1/2021 Roehl D23/226
 D910,145 S * 2/2021 Roehl D23/213
 D911,489 S * 2/2021 Spooner D23/213
 D921,839 S * 6/2021 Chen D23/226
 2007/0145162 A1 6/2007 MacMahon
 2019/0015876 A1 1/2019 Wang
 2021/0148496 A1 * 5/2021 Vallo B05B 9/01
 2021/0205642 A1 * 7/2021 Williams A62C 31/05

OTHER PUBLICATIONS

Miracle-Gro Garden Feeder, Jun. 18, 2018, Amazon.com Jul. 14, 2021, URL: <https://www.amazon.com/dp/B06Y3HMXHV> (Year: 2018).*
 Chapin International G6015 The Chapin Wet/Dry end Sprayer, Apr. 3, 2021, Amazon.com, Jul. 14, 2021, URL: <https://www.amazon.com/Chapin-International-G6015-Hose-End-Translucent/dp/B08HSGN7LK> (Year: 2021).*

* cited by examiner

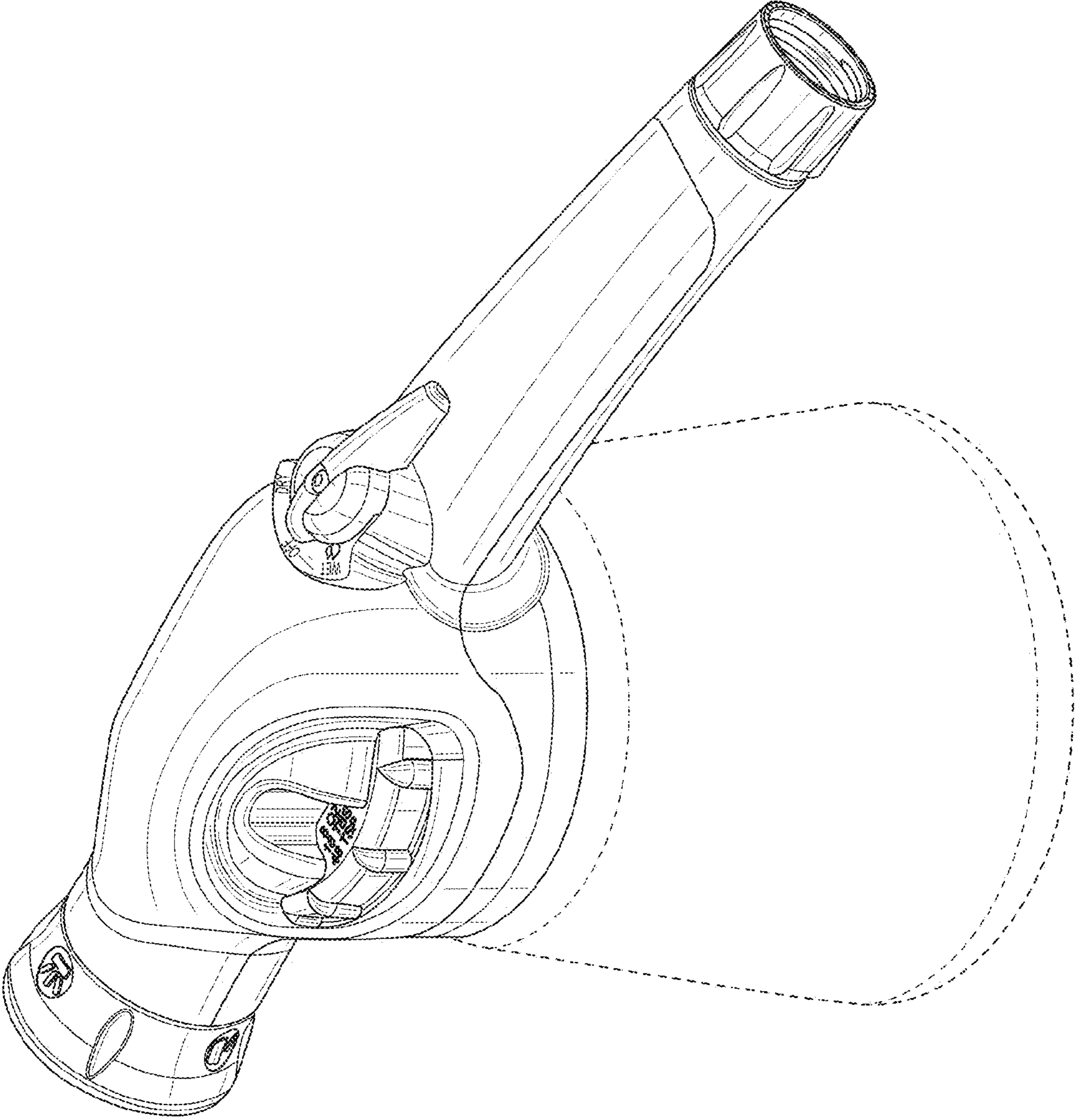


FIG. 1

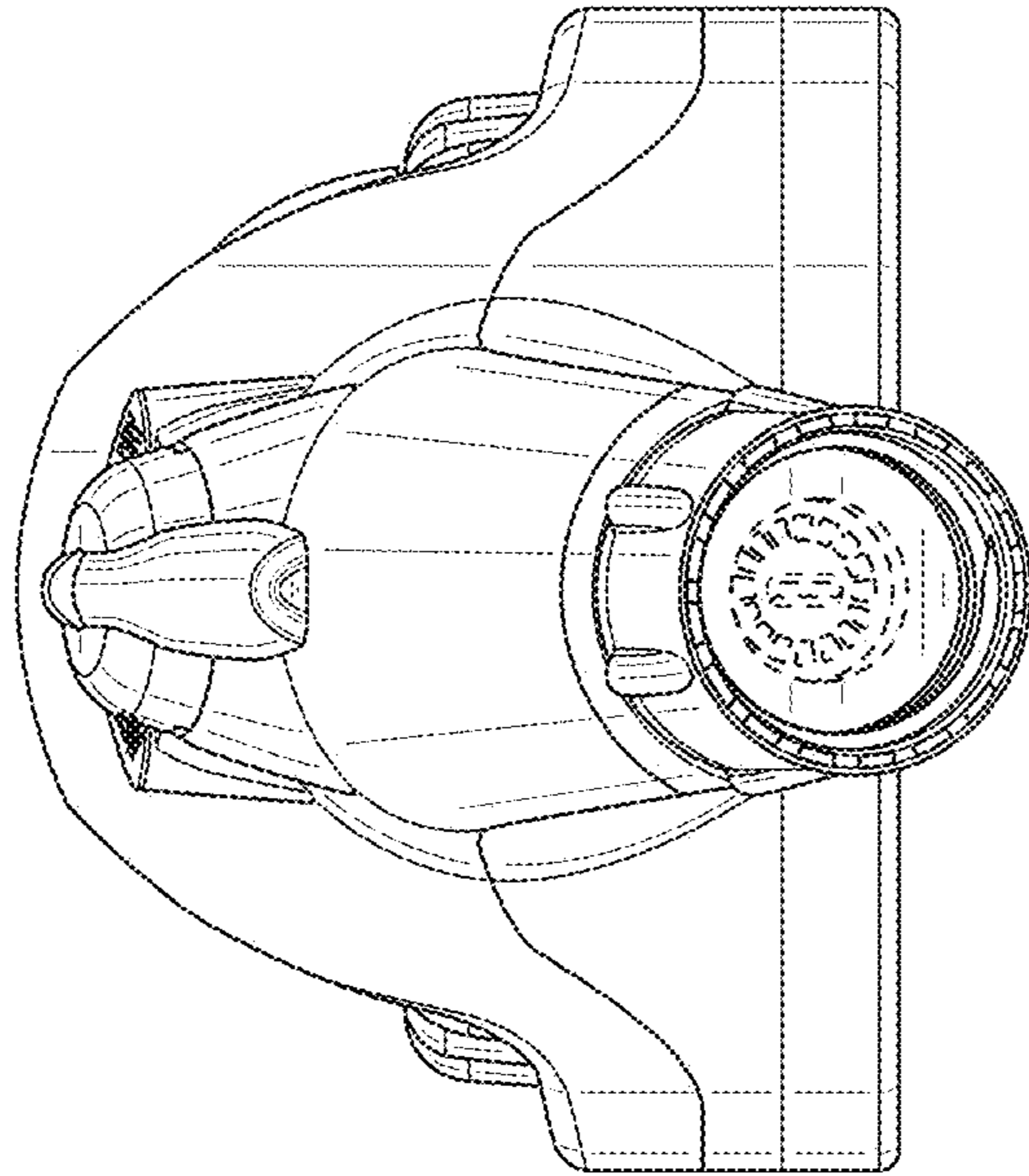


FIG. 2

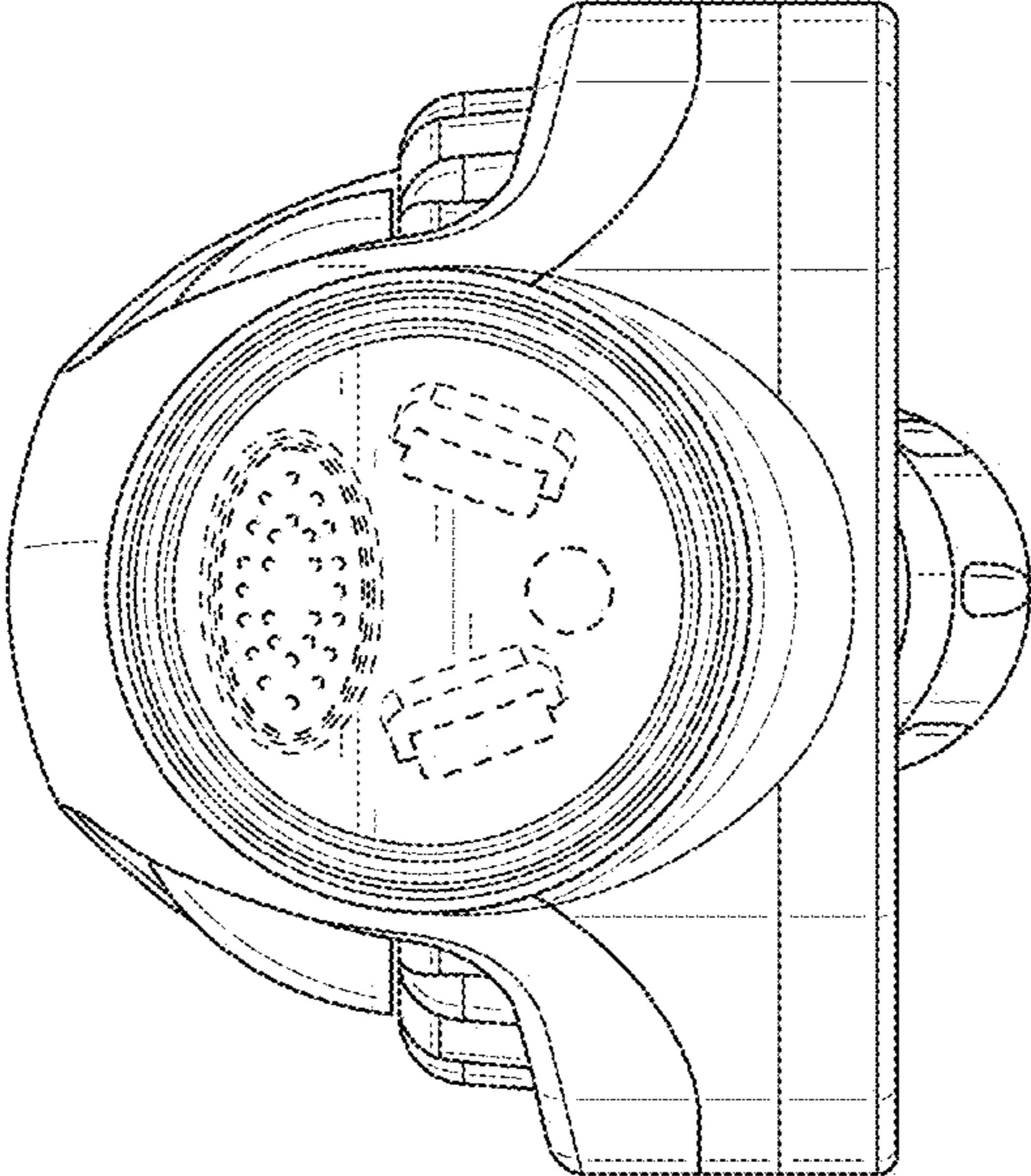


FIG. 3

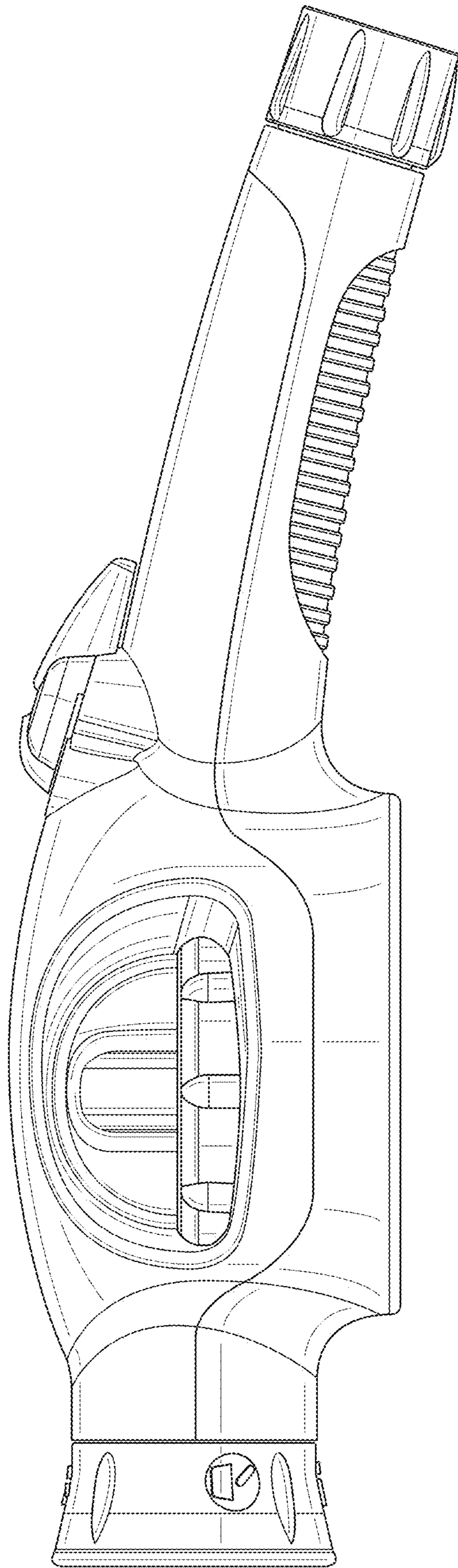


FIG. 4

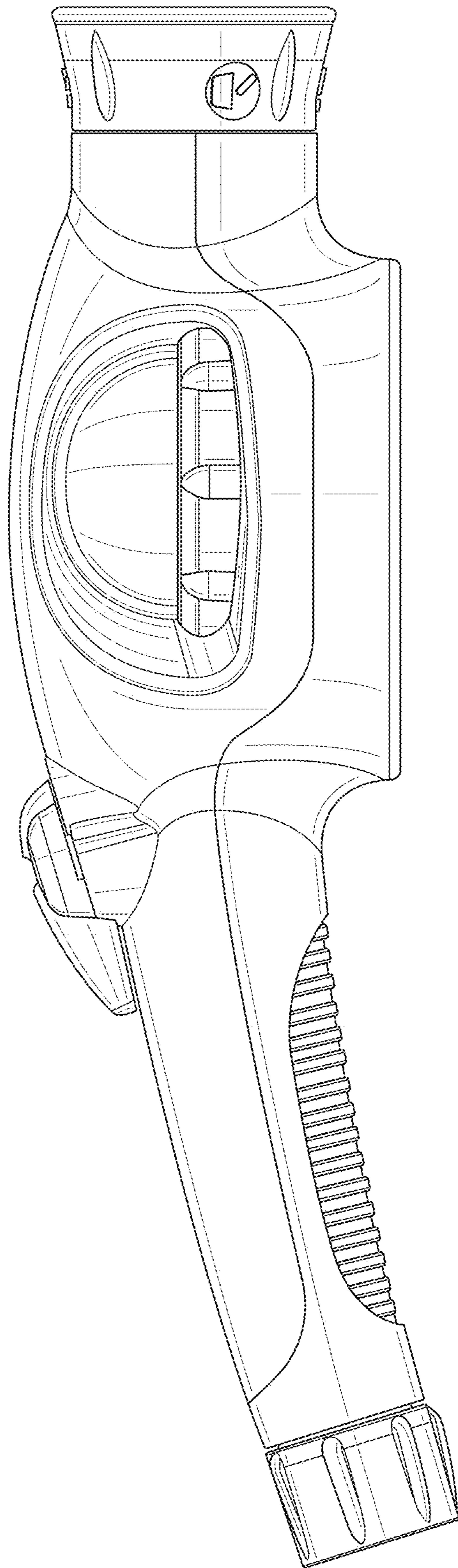


FIG. 5

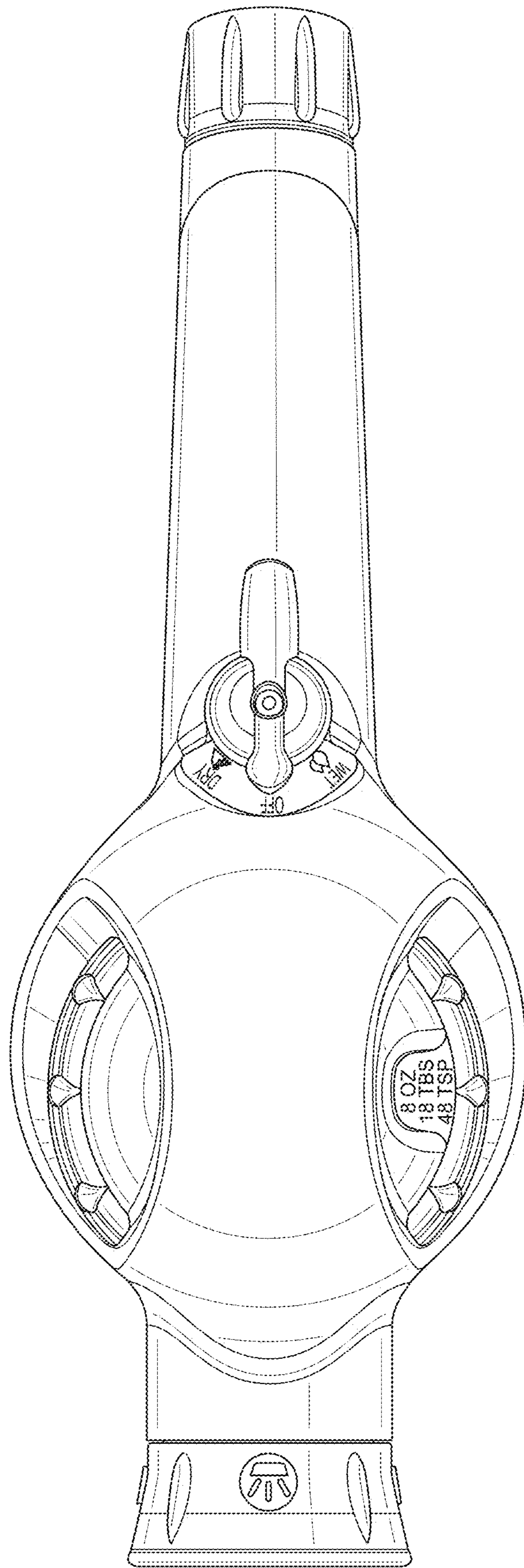


FIG. 6

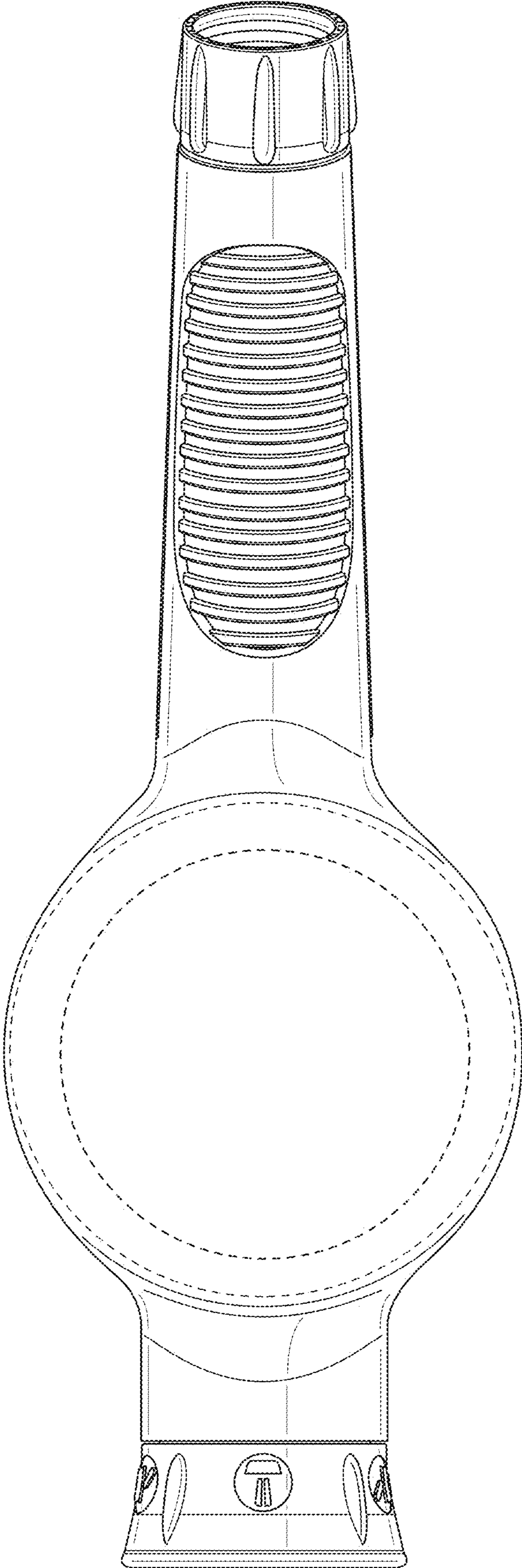


FIG. 7