

US00D930112S

(12) **United States Design Patent** (10) **Patent No.:** **US D930,112 S**  
**Smith** (45) **Date of Patent:** **\*\* Sep. 7, 2021**

(54) **FILTER**  
(71) Applicant: **Sawyer Products, Inc.**, Safety Harbor, FL (US)  
(72) Inventor: **John T. Smith**, Dunedin, FL (US)  
(73) Assignee: **Sawyer Products, Inc.**, Safety Harbor, FL (US)  
(\*\*) Term: **15 Years**

(21) Appl. No.: **29/726,732**  
(22) Filed: **Mar. 5, 2020**  
(51) **LOC (13) Cl.** ..... **23-01**  
(52) **U.S. Cl.**  
USPC ..... **D23/209**  
(58) **Field of Classification Search**  
USPC ..... D23/202, 206, 207, 209, 210, 213, 228, D23/233  
CPC ..... C02F 1/002; C02F 1/003  
See application file for complete search history.

(56) **References Cited**

**U.S. PATENT DOCUMENTS**

4,477,347 A \* 10/1984 Sylva ..... B01D 29/01  
210/232  
D278,739 S \* 5/1985 Galloway ..... D23/233  
D285,716 S \* 9/1986 Bova ..... D23/233  
D312,862 S \* 12/1990 Klein ..... D23/209  
D319,287 S \* 8/1991 Baumstark ..... D23/207  
D412,087 S \* 7/1999 Spencer ..... D7/510  
D444,536 S \* 7/2001 Farley ..... D23/209  
6,565,743 B1 \* 5/2003 Poirier ..... B65D 51/00  
116/284  
6,740,235 B2 \* 5/2004 Gill ..... B01D 35/30  
210/232  
D547,825 S \* 7/2007 Kennedy ..... D23/209  
D594,530 S \* 6/2009 Bonnell ..... D23/233  
7,862,720 B2 \* 1/2011 Brown ..... C02F 1/002  
210/335

D635,640 S \* 4/2011 Xu ..... D23/209  
D647,596 S \* 10/2011 Bonnell ..... D23/233  
D745,114 S \* 12/2015 Alexander ..... D23/235  
D813,351 S \* 3/2018 Harck ..... D23/233  
D841,776 S \* 2/2019 Smith ..... D23/209  
D893,673 S \* 8/2020 Wei ..... D23/209  
D894,335 S \* 8/2020 Huaping ..... D23/209  
D895,770 S \* 9/2020 Bian ..... D23/233  
2008/0035553 A1 \* 2/2008 Brown ..... C02F 1/002  
210/335  
2018/0015399 A1 \* 1/2018 Park ..... C02F 1/001  
(Continued)

**OTHER PUBLICATIONS**

“PUR PPF951K Water Filter”, Mar. 10, 2017, Amazon, site visited Jun. 14, 2021: <https://www.amazon.com/dp/B06XHS2FNZ/> (Year: 2017).\*

(Continued)

*Primary Examiner* — Jack Reickel  
*Assistant Examiner* — Bobby W Jones, II  
(74) *Attorney, Agent, or Firm* — Seyfarth Shaw LLP

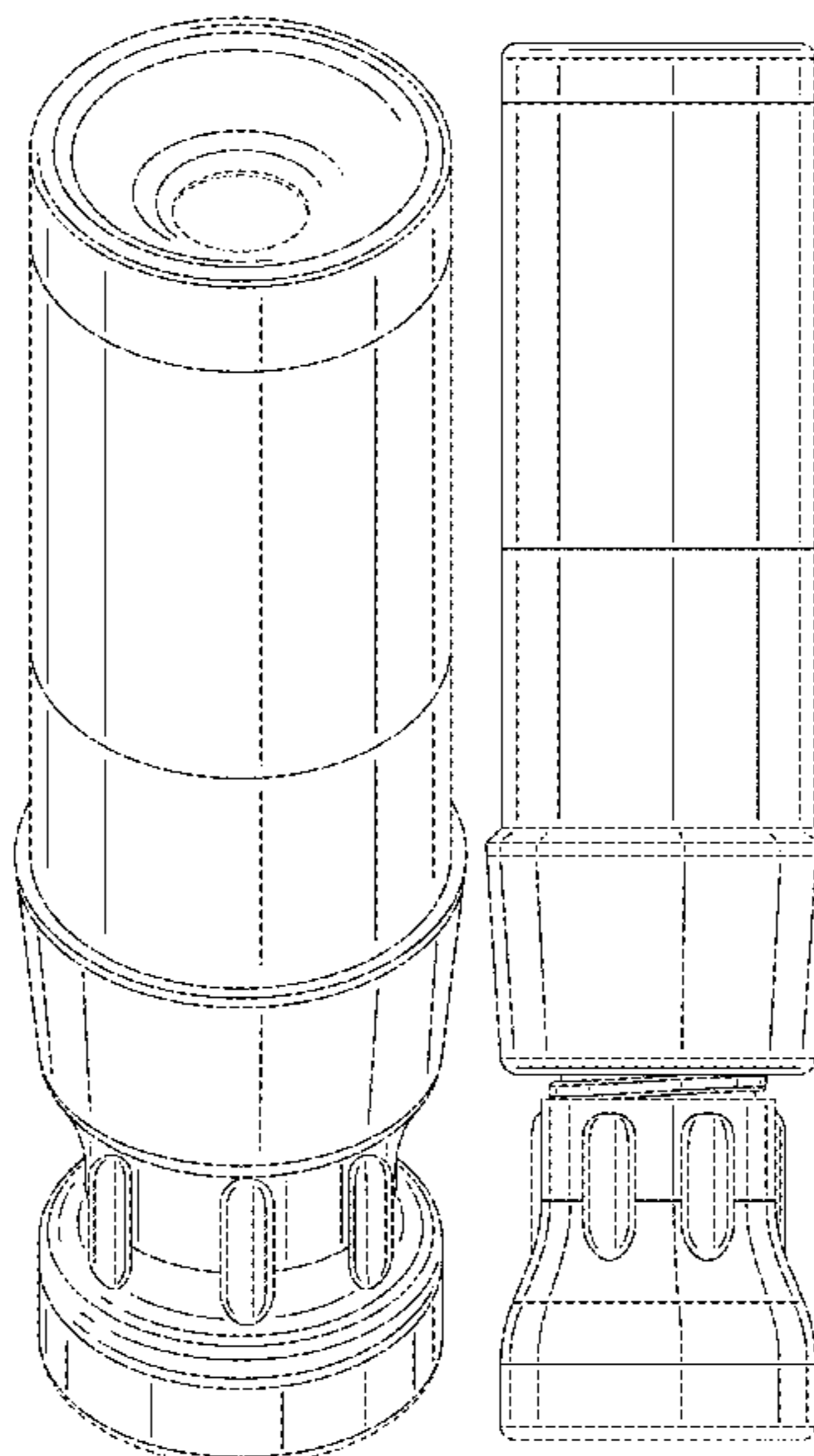
(57) **CLAIM**

The ornamental design for a filter, as shown and described.

**DESCRIPTION**

FIG. 1 is a front perspective view of a filter showing my design;  
FIG. 2 is a front view thereof;  
FIG. 3 is a rear view thereof;  
FIG. 4 is a left side view thereof;  
FIG. 5 is a right side view thereof;  
FIG. 6 is a top view thereof; and,  
FIG. 7 is a bottom view thereof.  
The broken lines depict environmental subject matter only and form no part of the claimed design.

**1 Claim, 4 Drawing Sheets**



(56)

**References Cited**

U.S. PATENT DOCUMENTS

2019/0300413 A1\* 10/2019 Lovegrove ..... B01D 61/027

OTHER PUBLICATIONS

“Waterdrop DA97-17376B”, Feb. 13, 2018, Amazon, site visited Jun. 14, 2021: <https://www.amazon.com/dp/B079WVVN9Y/> (Year: 2018).\*

“Sawyer Products SP137”, Apr. 21, 2015, Amazon, site visited Jun. 14, 2021: <https://www.amazon.com/dp/B00WG9AFW6/> (Year: 2015).\*

\* cited by examiner

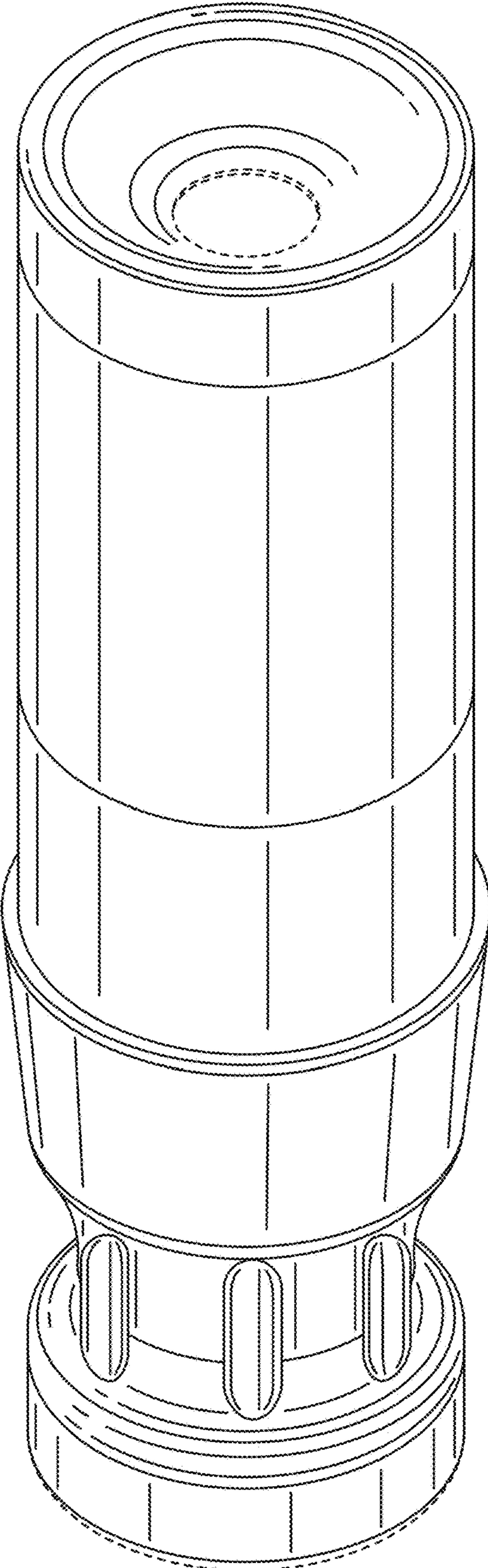


FIG. 1

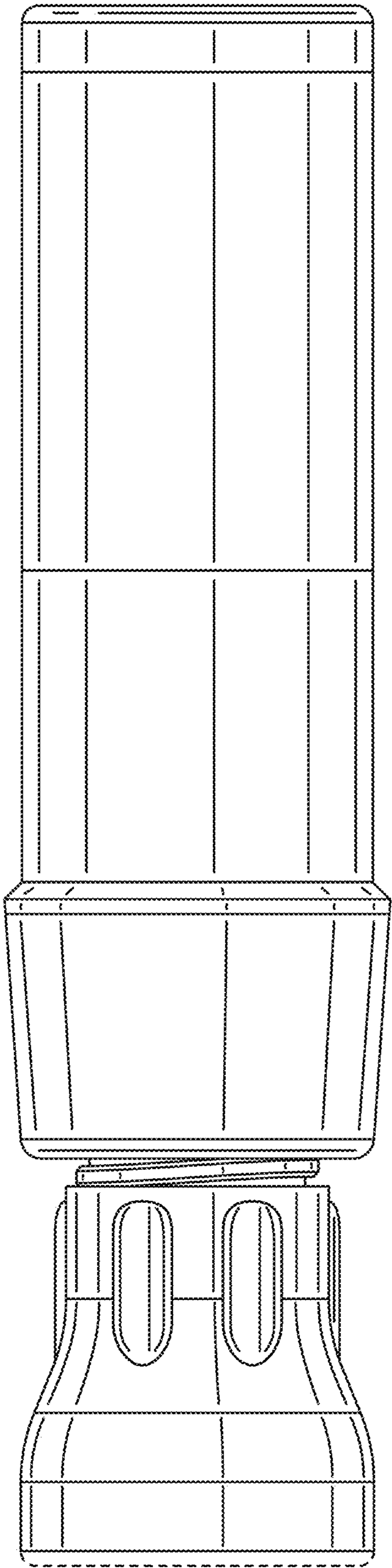


FIG. 2

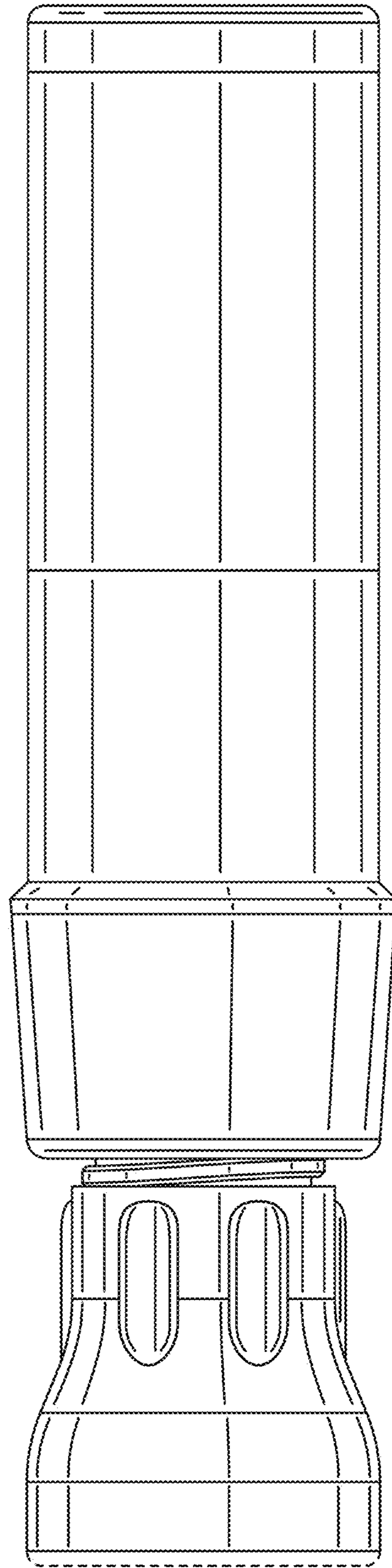


FIG. 3

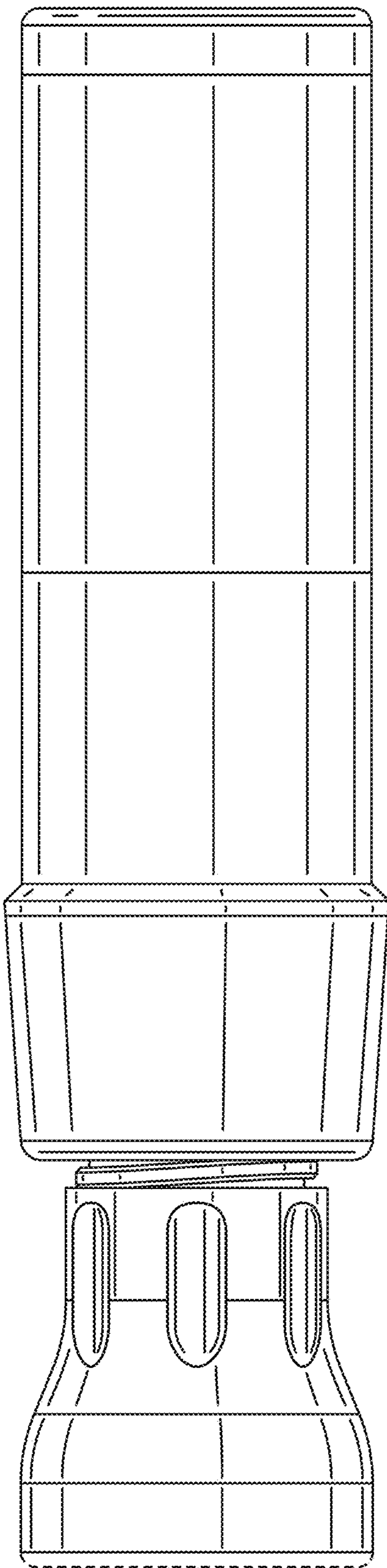


FIG. 4

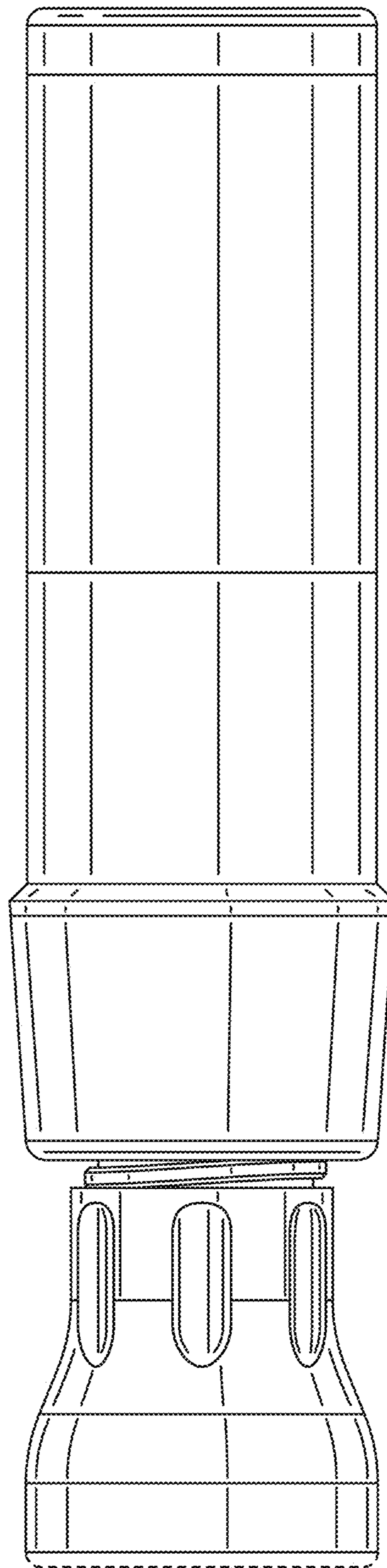


FIG. 5

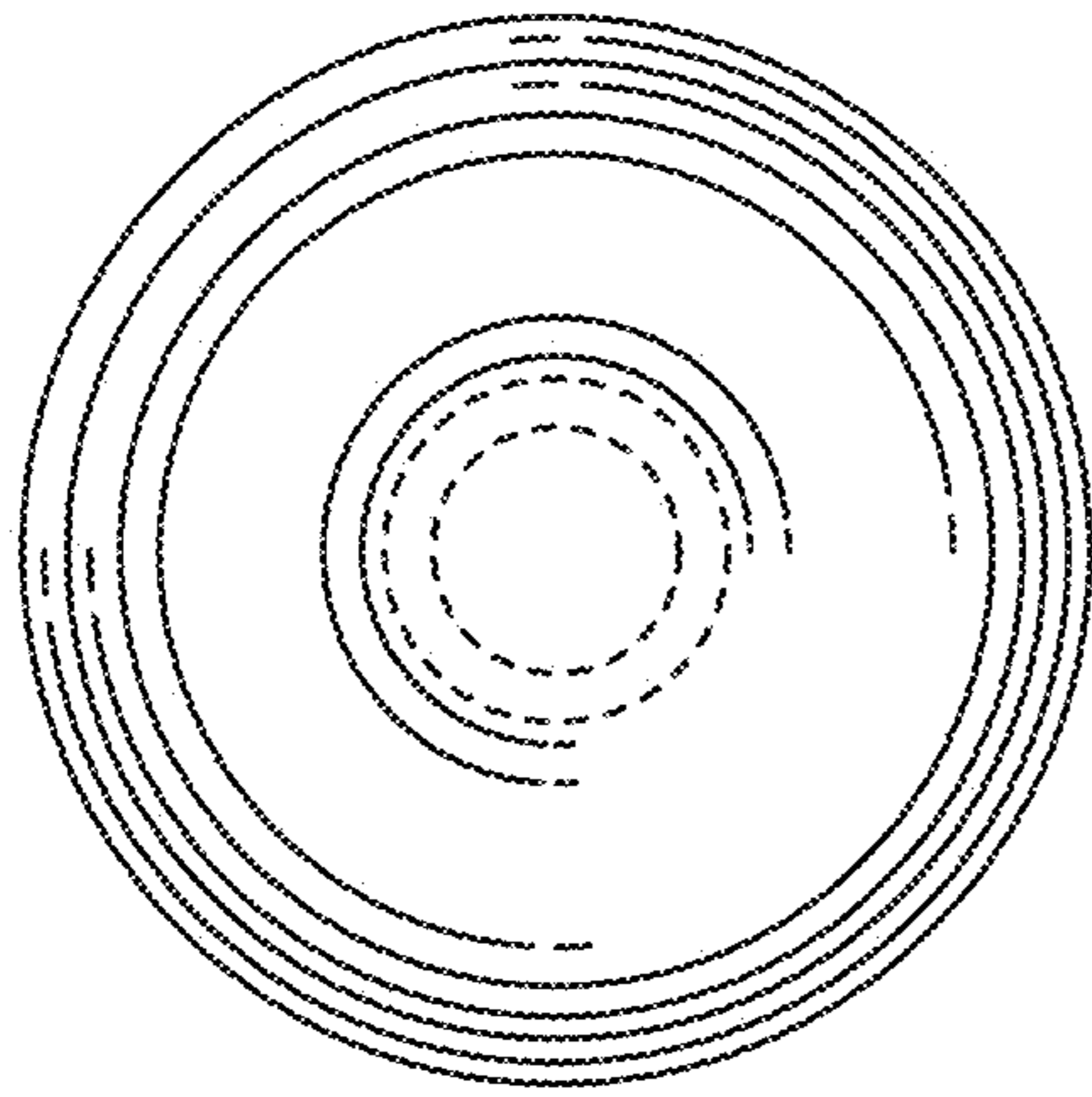


FIG. 6

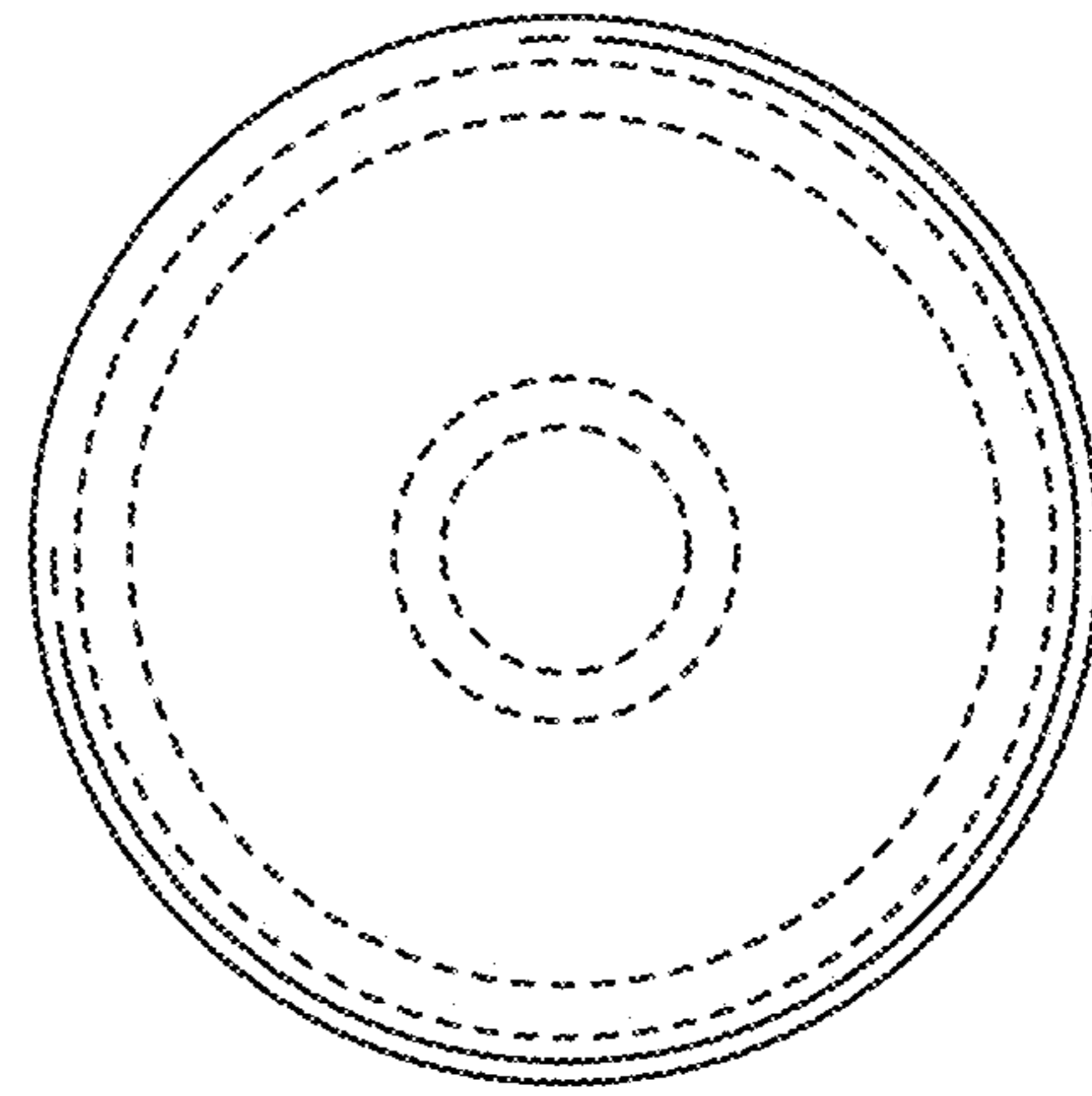


FIG. 7