

US00D930111S

(12) **United States Design Patent** (10) **Patent No.:** **US D930,111 S**
Pitman (45) **Date of Patent:** **** Sep. 7, 2021**

(54) **WIDER CENTER SECTION CARTRIDGE**
(71) Applicant: **Adnomix Inc.**, Tortola (VG)
(72) Inventor: **David Jonathan Pitman**, Singapore (SG)
(73) Assignee: **Adnomix Inc.**, Road Town (VG)
(**) Term: **15 Years**
(21) Appl. No.: **29/709,680**
(22) Filed: **Oct. 16, 2019**
(51) **LOC (13) Cl.** **23-01**
(52) **U.S. Cl.**
USPC **D23/209**
(58) **Field of Classification Search**
USPC D23/200, 205–207, 209, 210, 213,
D23/227–229, 233–238, 247–249, 260,
D23/261, 266; D7/700
CPC B05B 1/18; B05B 15/40; E03C 1/0408;
E03C 2201/40; B01D 2201/4076; C02F
1/281; C02F 1/283; C02F 2307/06
See application file for complete search history.

D598,122 S * 8/2009 Shigesada D24/216
D643,508 S * 8/2011 Wilkinson D23/209
D674,878 S * 1/2013 Jones D23/213
D741,449 S * 10/2015 Washburn D23/207
D750,736 S * 3/2016 Enomoto D23/207
D752,177 S * 3/2016 Enomoto D23/207
D790,660 S * 6/2017 Zhadanov D23/209
D791,276 S * 7/2017 Sharratt D23/209
D831,155 S * 10/2018 Campbell D23/209
D847,944 S * 5/2019 Zhibin D23/209
D847,945 S * 5/2019 Zhibin B01D 29/114
D23/209
D847,946 S * 5/2019 Zhibin D23/209
D849,188 S * 5/2019 Zhibin D23/209
D849,885 S * 5/2019 Oh D23/207
D852,929 S * 7/2019 Nelson D23/209
D857,838 S * 8/2019 Pitman D23/209
D879,243 S * 3/2020 Wei D23/209

(Continued)

Primary Examiner — Michael C Stout
Assistant Examiner — Fritzgerald L Butac
(74) *Attorney, Agent, or Firm* — Dragon Sun Law Firm,
PC; Jinggao Li, Esq.

(57) **CLAIM**

The ornamental design for the wider center section cartridge, as shown and described.

(56) **References Cited**

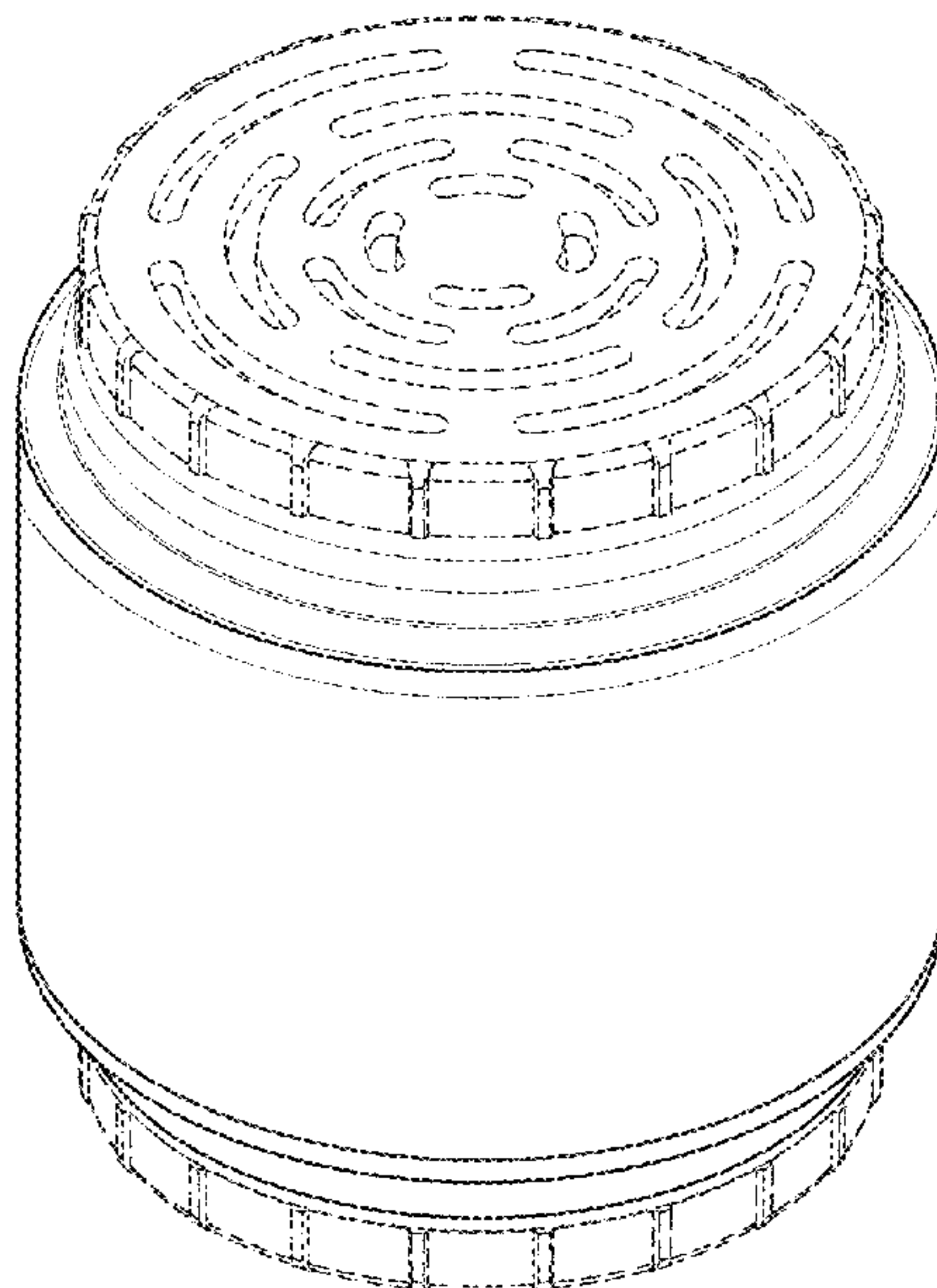
U.S. PATENT DOCUMENTS

D48,602 S * 2/1916 McCarthy D8/397
D229,310 S * 11/1973 Welborn D23/209
D253,721 S * 12/1979 Gibeck D23/209
D361,622 S * 8/1995 Farley D23/209
D372,069 S * 7/1996 Brancazio D23/209
D405,157 S * 2/1999 Hayes D23/209
D420,093 S * 2/2000 Hayes D23/209
D435,631 S * 12/2000 Janik D23/209
D479,300 S * 9/2003 Janik D23/209
D484,568 S * 12/2003 Janik D23/209
D580,558 S * 11/2008 Shigesada D24/216
D592,732 S * 5/2009 Sneddon D23/228
D597,679 S * 8/2009 Shigesada D24/216

DESCRIPTION

FIG. 1 is a perspective view thereof of the wider center section cartridge according to the present design;
FIG. 2 is a front view thereof;
FIG. 3 is a back view thereof;
FIG. 4 is a left side view thereof;
FIG. 5 is a right side view thereof;
FIG. 6 is a top view thereof; and,
FIG. 7 is a bottom view thereof.
The broken lines in the drawing depict environmental subject matter only and form no part of the claimed design.

1 Claim, 7 Drawing Sheets



(56)

References Cited

U.S. PATENT DOCUMENTS

D888,193 S *	6/2020	Jenzeh	D23/209
D897,492 S *	9/2020	Pitman	D23/209
D903,063 S *	11/2020	Mjelde	D23/259
D905,842 S *	12/2020	Rahn	D23/365
2020/0038885 A1 *	2/2020	Wu	B05B 1/18

* cited by examiner

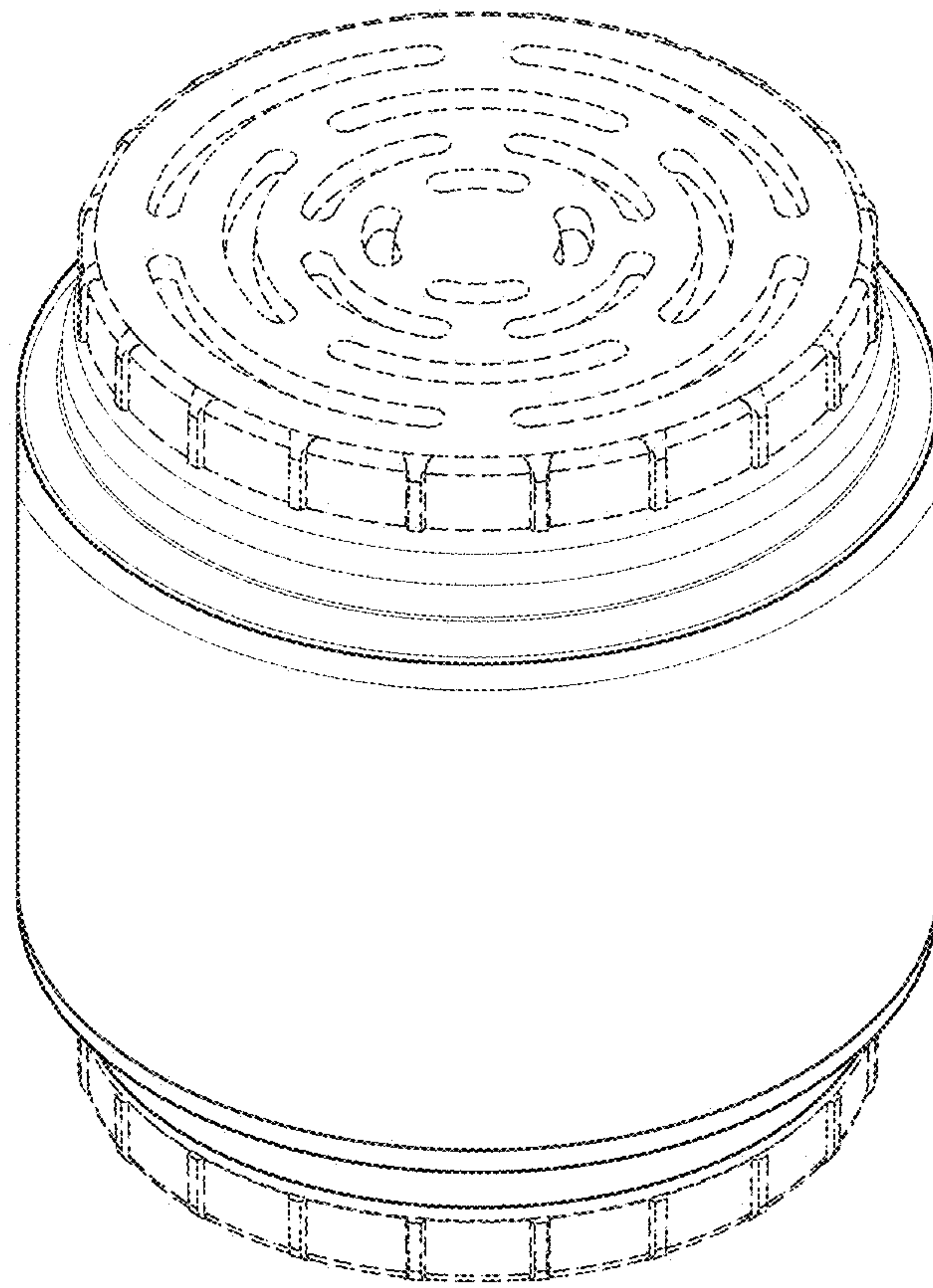


FIG. 1

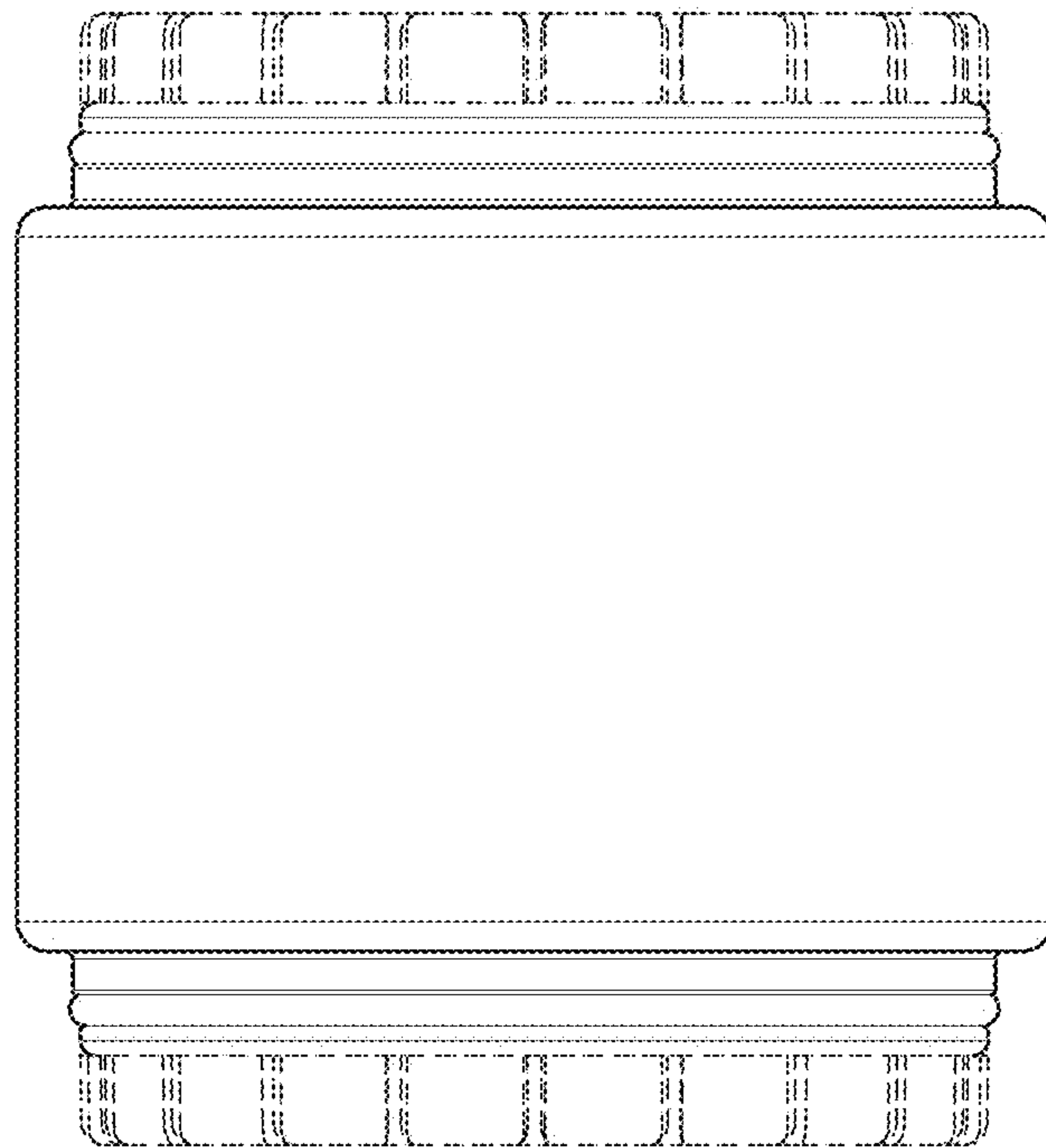


FIG. 2

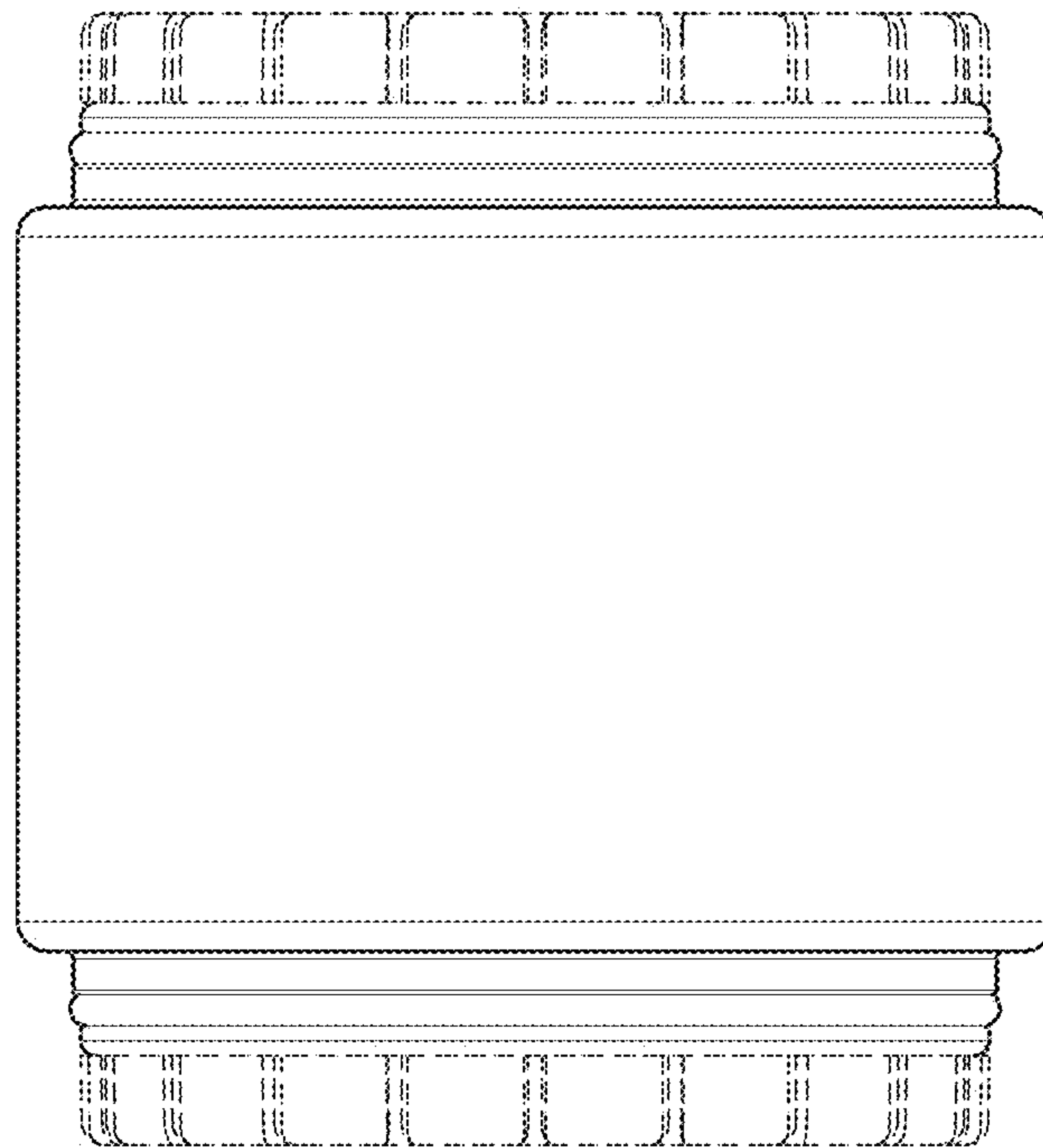


FIG. 3

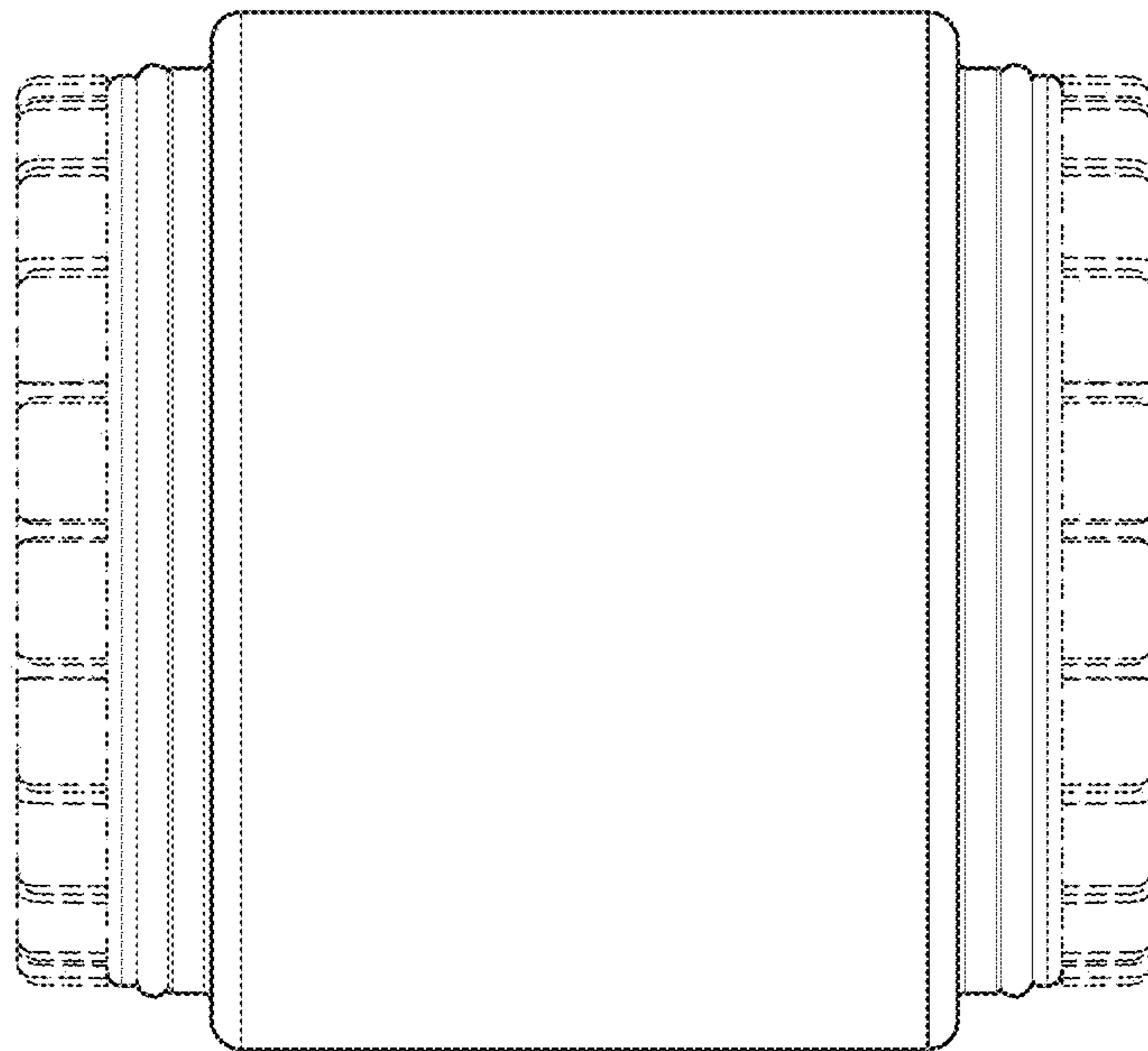


FIG. 4

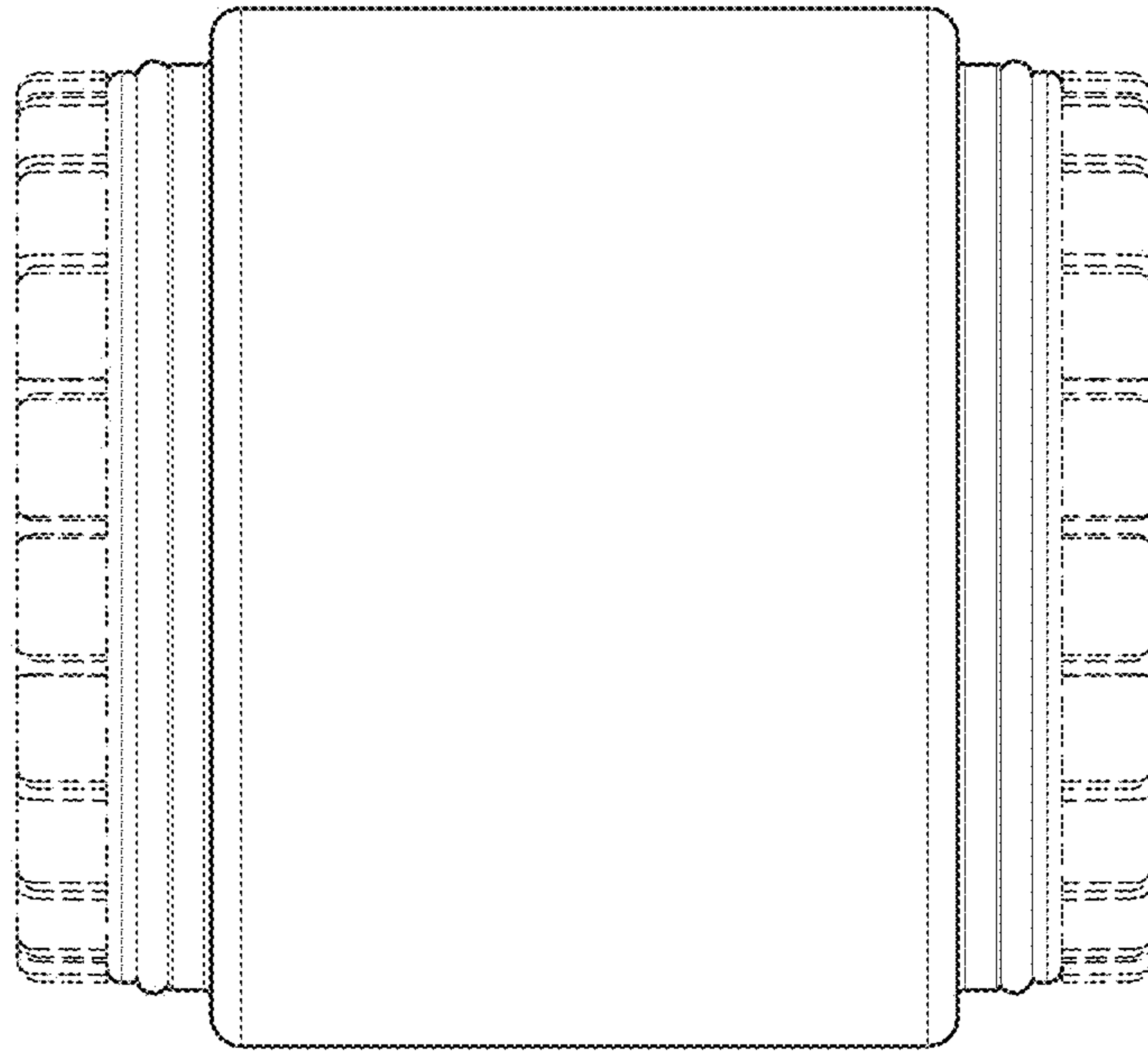


FIG. 5

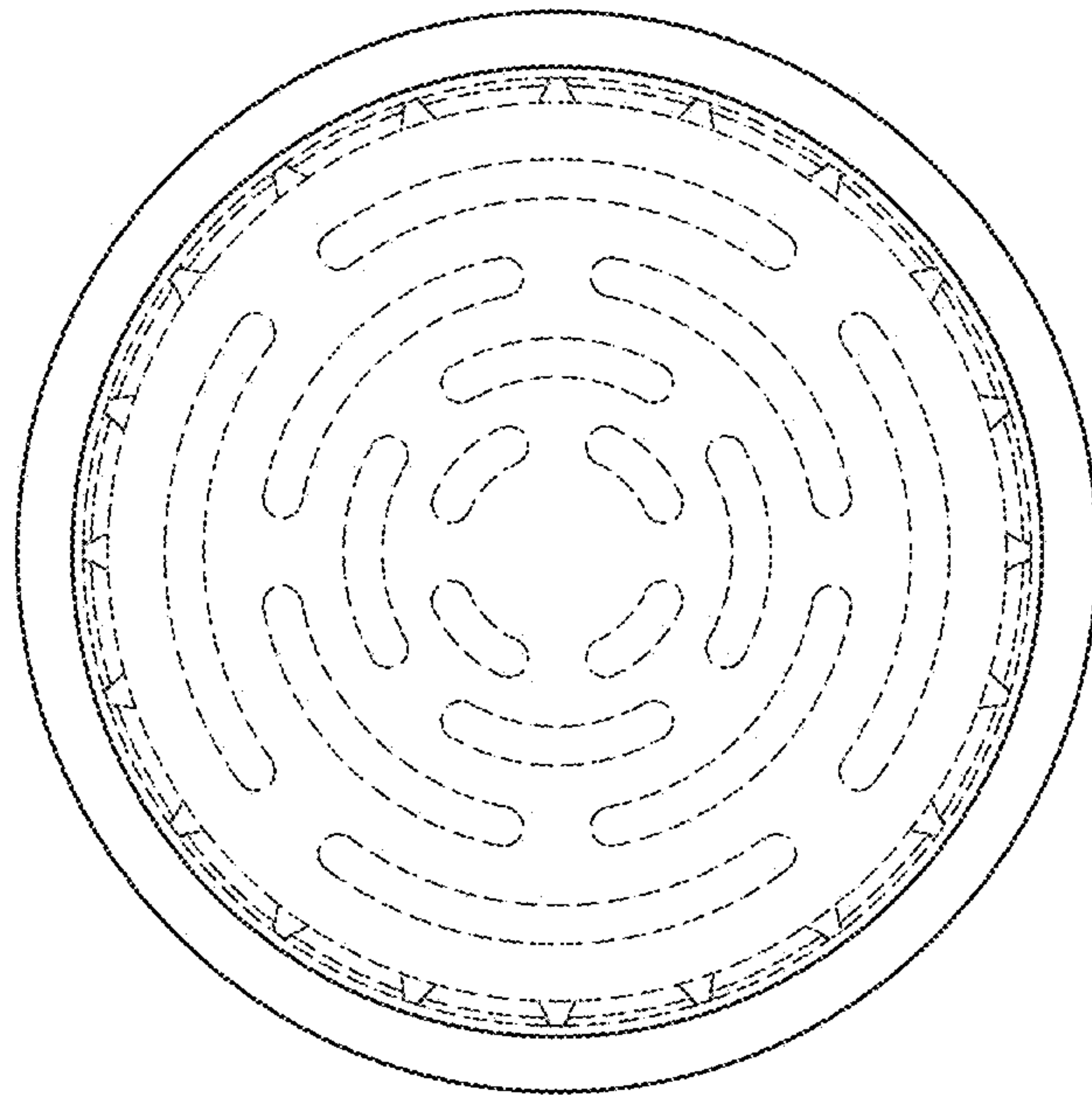


FIG. 6

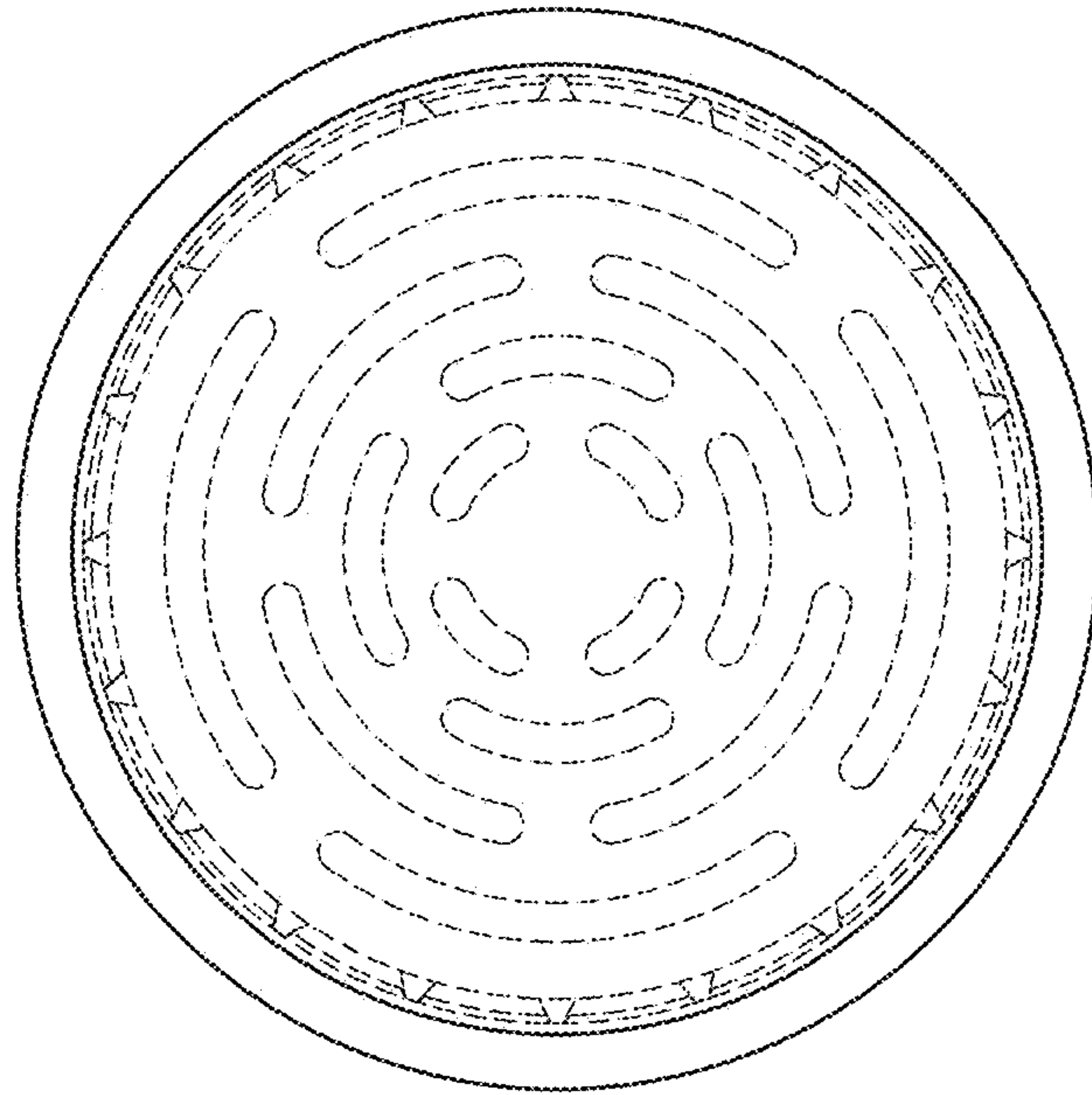


FIG. 7