



US00D930109S

(12) **United States Design Patent**  
**Aguiar et al.**

(10) **Patent No.:** **US D930,109 S**

(45) **Date of Patent:** **\*\* Sep. 7, 2021**

(54) **HANDLE**

(71) Applicant: **AMTROL LICENSING INC.**, West Warwick, RI (US)

(72) Inventors: **Carlos Aguiar**, Oporto (PT); **Filipe Pedrosa**, Matosinhos (PT)

(73) Assignee: **Amtrol Licensing, Inc.**, West Warwick, RI (US)

(\*\*) Term: **15 Years**

(21) Appl. No.: **29/745,456**

(22) Filed: **Aug. 6, 2020**

(51) **LOC (13) Cl.** ..... **23-01**

(52) **U.S. Cl.**  
USPC ..... **D23/206**

(58) **Field of Classification Search**  
USPC ... D23/202, 204, 205, 206, 211.1, 233, 249;  
D3/316; D34/39  
CPC ..... F17C 13/08; F17C 13/084;  
F17C 2205/0165; B65D 7/045  
See application file for complete search history.

(56) **References Cited**

**U.S. PATENT DOCUMENTS**

3,776,412	A *	12/1973	Mink	.....	F17C 13/06 220/726
4,332,331	A *	6/1982	Fawley	.....	F17C 13/002 137/382
6,012,411	A *	1/2000	Hochbrueckner	....	F17C 13/002 116/200
6,311,722	B1 *	11/2001	Gounot	.....	F17C 13/06 137/377
6,386,384	B1 *	5/2002	Chohfi	.....	F17C 13/06 206/0.6
D558,950	S *	1/2008	Brans	.....	D34/39
D560,873	S *	1/2008	Brans	.....	D34/39

D574,574	S *	8/2008	Bax	.....	D34/39
8,215,517	B2 *	7/2012	Chohfi	.....	F17C 1/14 220/581
8,528,586	B2 *	9/2013	Cannet	.....	F17C 13/04 137/382
D722,215	S *	2/2015	Sonzogni	.....	D34/39
D725,864	S *	3/2015	Sonzogni	.....	D34/39
D746,942	S *	1/2016	Koppert	.....	D23/202
9,803,805	B2 *	10/2017	Oliveira	.....	F17C 13/084
D842,579	S *	3/2019	Sonzogni	.....	D34/39

(Continued)

**OTHER PUBLICATIONS**

Luxfer Style Gas Cylinder Carry Handle, Apr. 3, 2016, Amazon, site visited Jul. 26, 2021: <https://www.amazon.com/dp/B01DS48WLI/> (Year: 2016).\*

(Continued)

*Primary Examiner* — Jack Reickel  
*Assistant Examiner* — Bobby W Jones, II  
(74) *Attorney, Agent, or Firm* — Tucker Ellis LLP

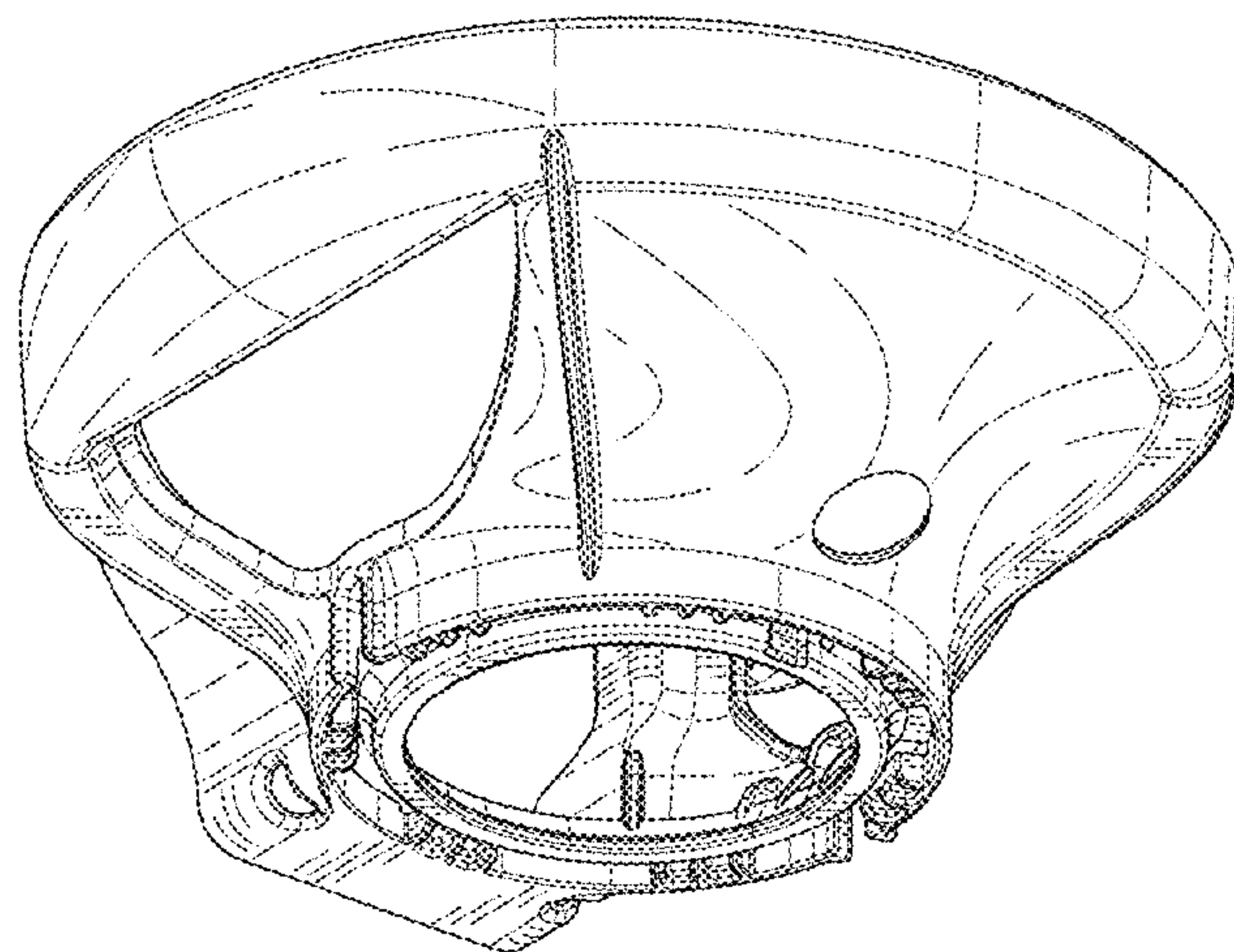
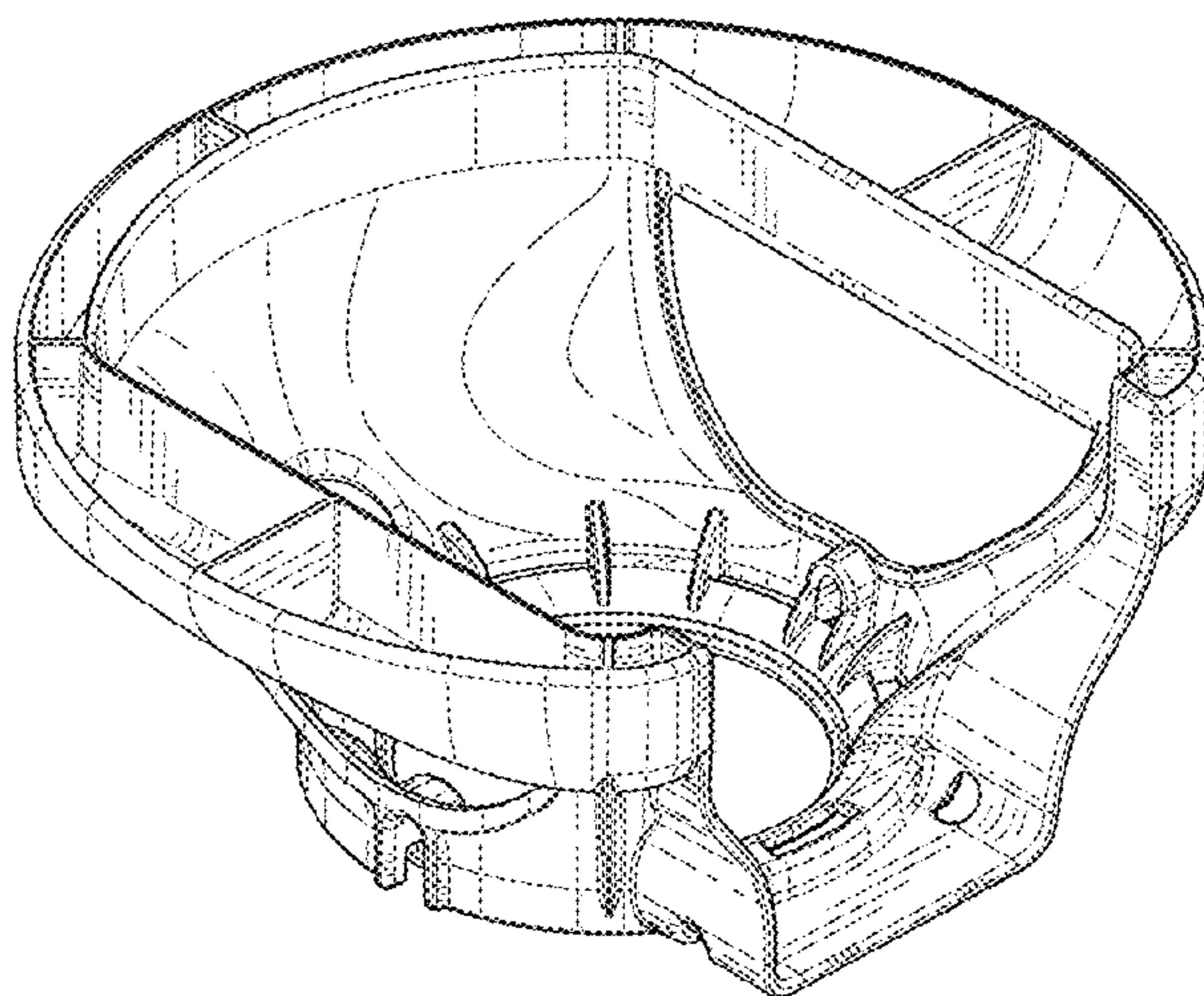
(57) **CLAIM**

The ornamental design for a handle, as shown and described.

**DESCRIPTION**

FIG. 1 is a top perspective view of a handle showing our new design;  
FIG. 2 is a bottom perspective view of the handle illustrated in FIG. 1;  
FIG. 3 is a left side view of the handle illustrated in FIG. 1;  
FIG. 4 is a front view of the handle illustrated in FIG. 1;  
FIG. 5 is a right side view of the handle illustrated in FIG. 1;  
FIG. 6 is a rear view of the handle illustrated in FIG. 1;  
FIG. 7 is a top view of the handle illustrated in FIG. 1; and,  
FIG. 8 is a bottom view of the handle illustrated in FIG. 1.

**1 Claim, 8 Drawing Sheets**



(56)

**References Cited**

U.S. PATENT DOCUMENTS

D894,521 S \* 8/2020 Falvey ..... D34/39  
10,753,541 B2 \* 8/2020 Aguiar ..... F17C 13/084  
D920,466 S \* 5/2021 Hamnvik ..... F17C 13/06  
D23/202  
D920,468 S \* 5/2021 Aguiar ..... D23/206  
D923,136 S \* 6/2021 Kaplan ..... D23/202  
2010/0147859 A1 \* 6/2010 Chohfi ..... F17C 13/123  
220/581  
2013/0299504 A1 \* 11/2013 Koppert ..... F17C 1/02  
220/586  
2018/0363855 A1 \* 12/2018 Frenal ..... F17C 13/028  
2019/0353305 A1 \* 11/2019 Aguiar ..... F17C 13/084  
2020/0039688 A1 \* 2/2020 Sonzogni ..... B65D 21/0202  
2020/0062443 A1 \* 2/2020 Falvey ..... B65D 25/28

OTHER PUBLICATIONS

Viking Composite Propane Tank, Sep. 3, 2015, Amazon, site visited  
Jul. 26, 2021: <https://www.amazon.com/dp/B014V9H6R0/>(Year:  
2015).\*

\* cited by examiner

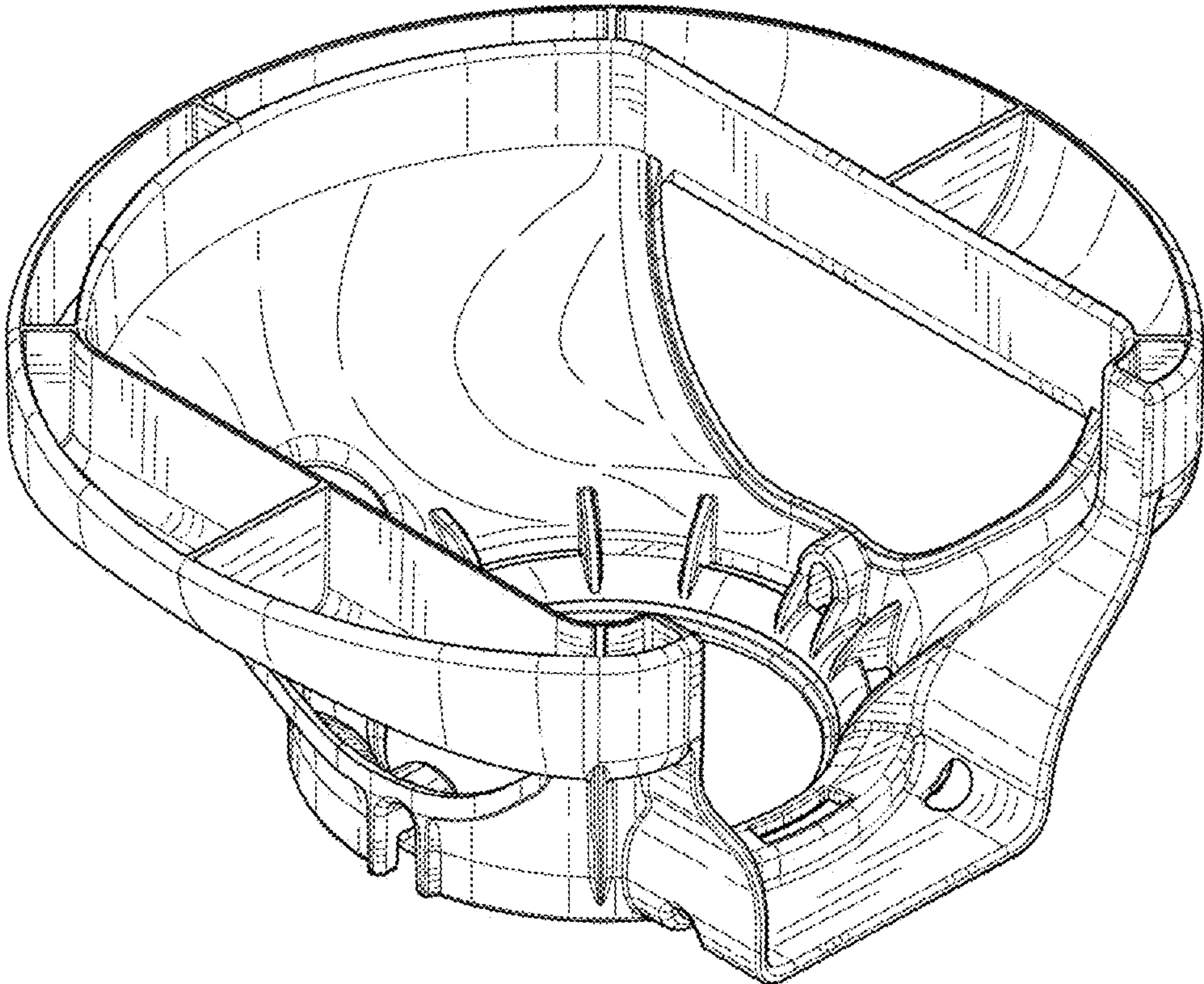


FIG. 1



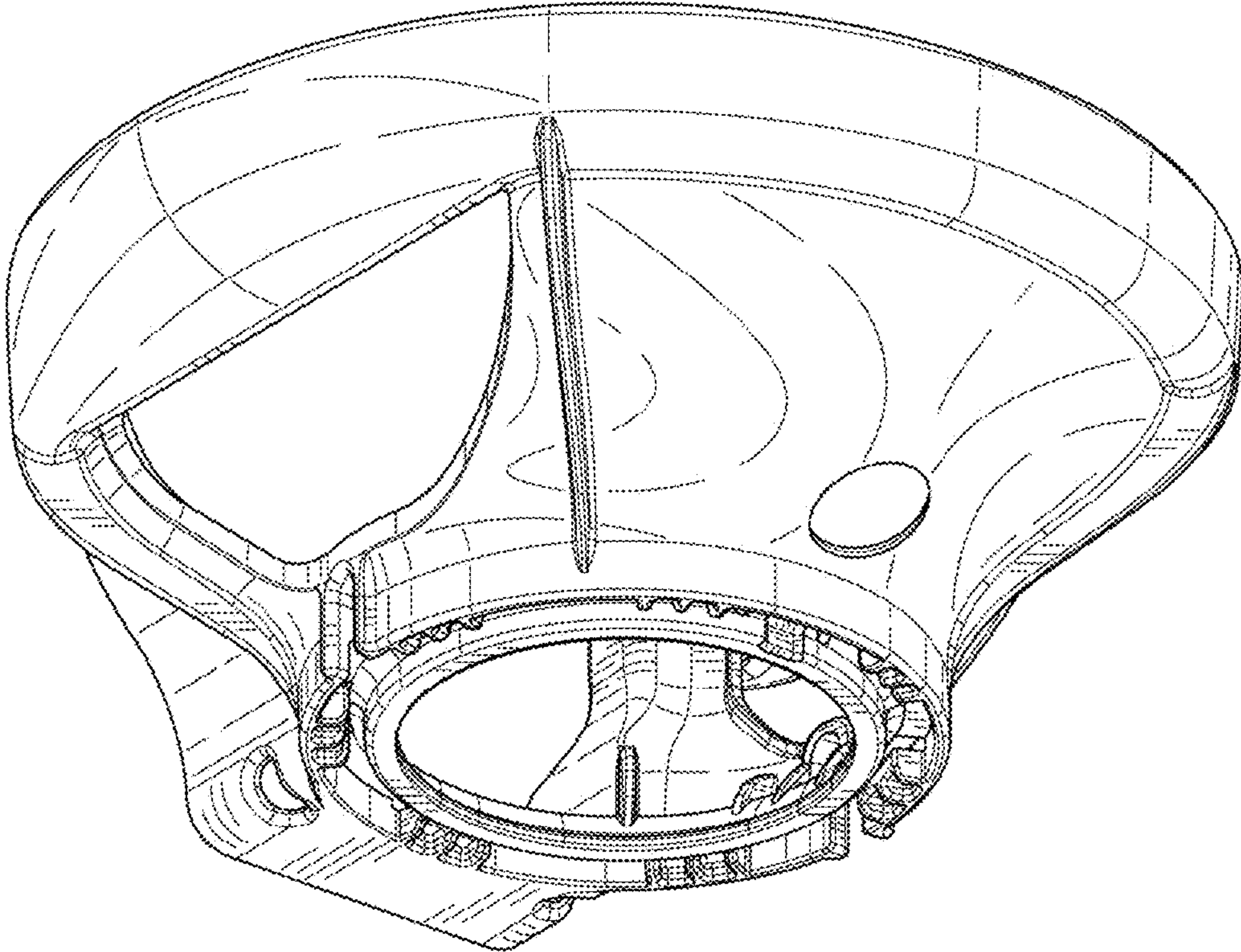


FIG. 2

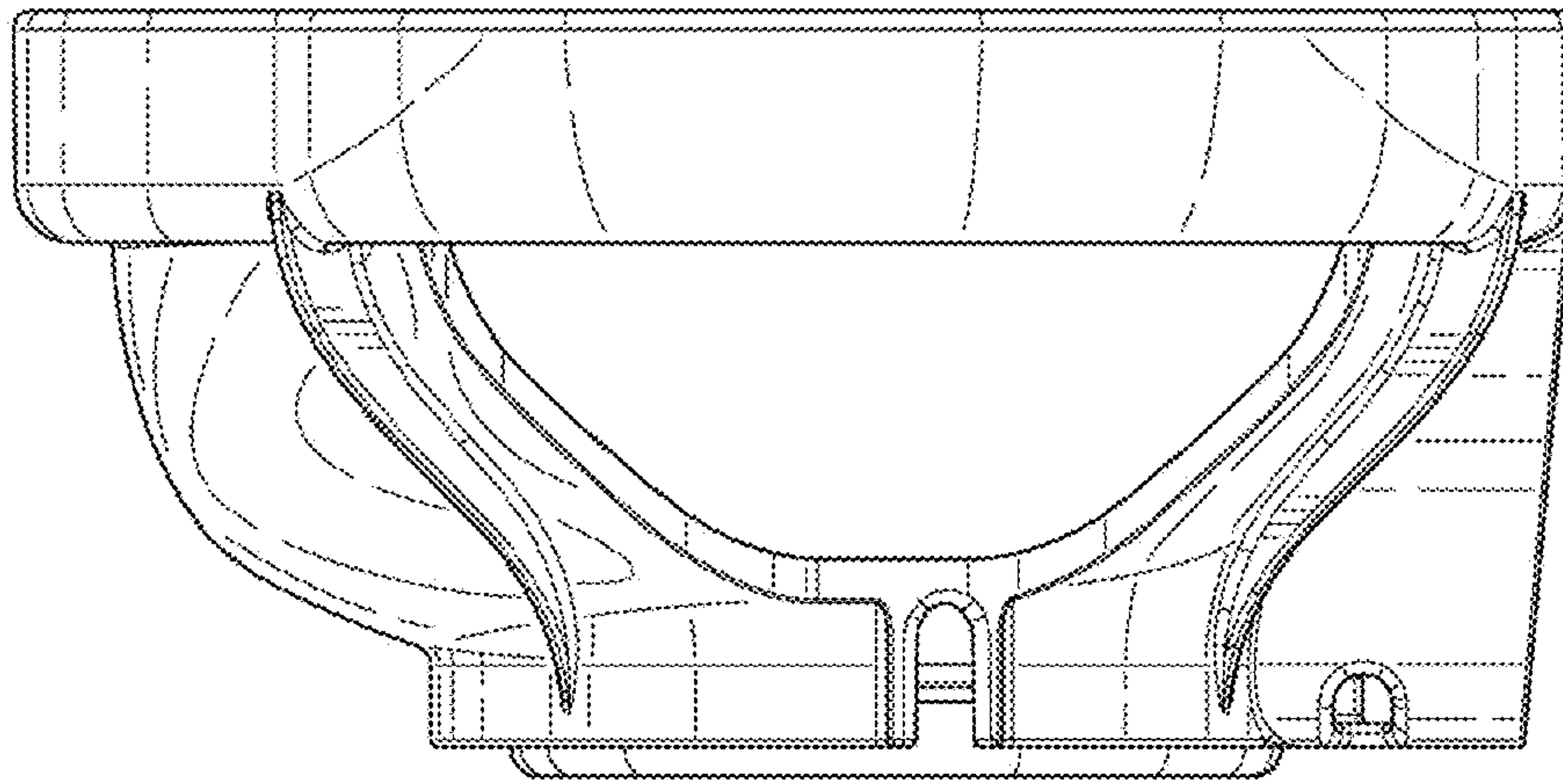


FIG. 3

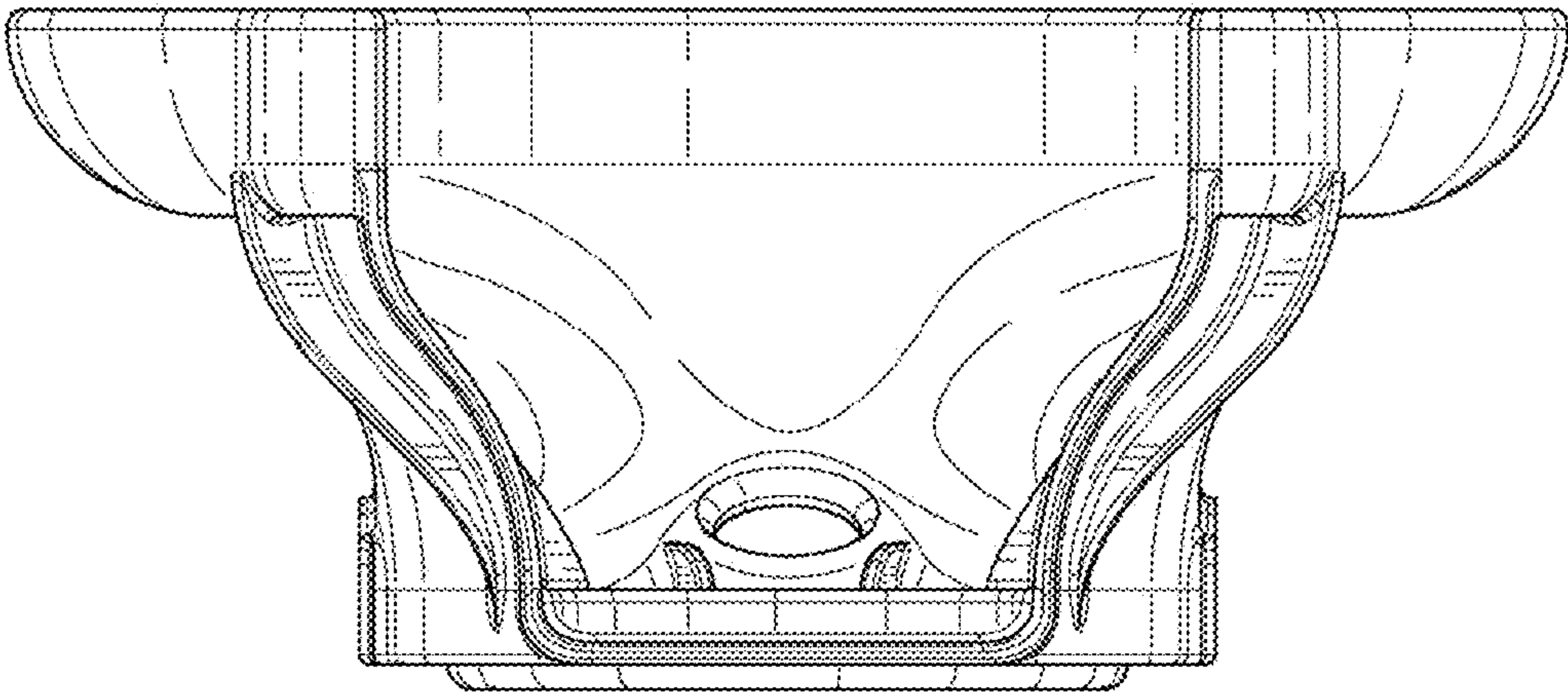


FIG. 4

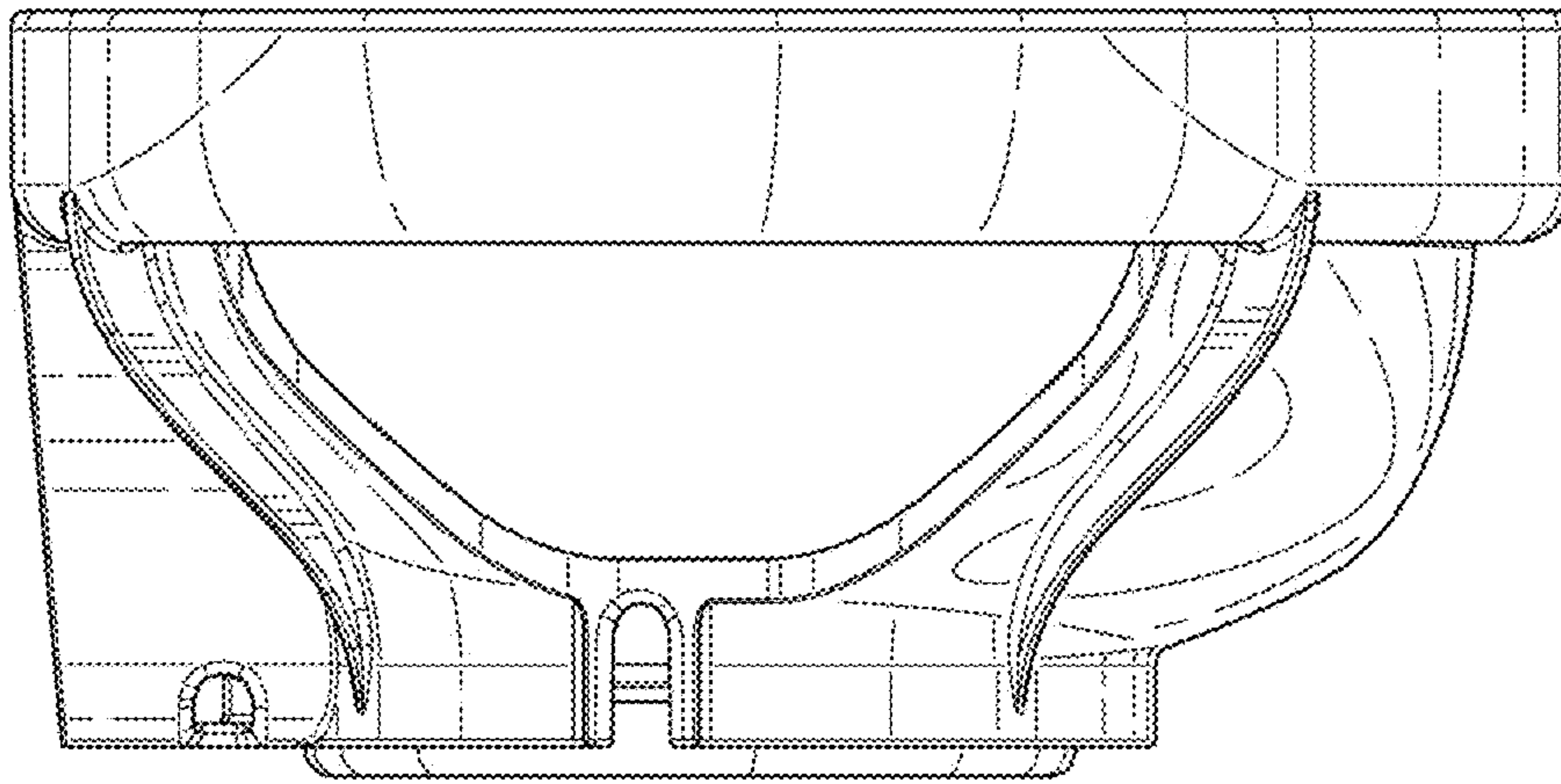


FIG. 5

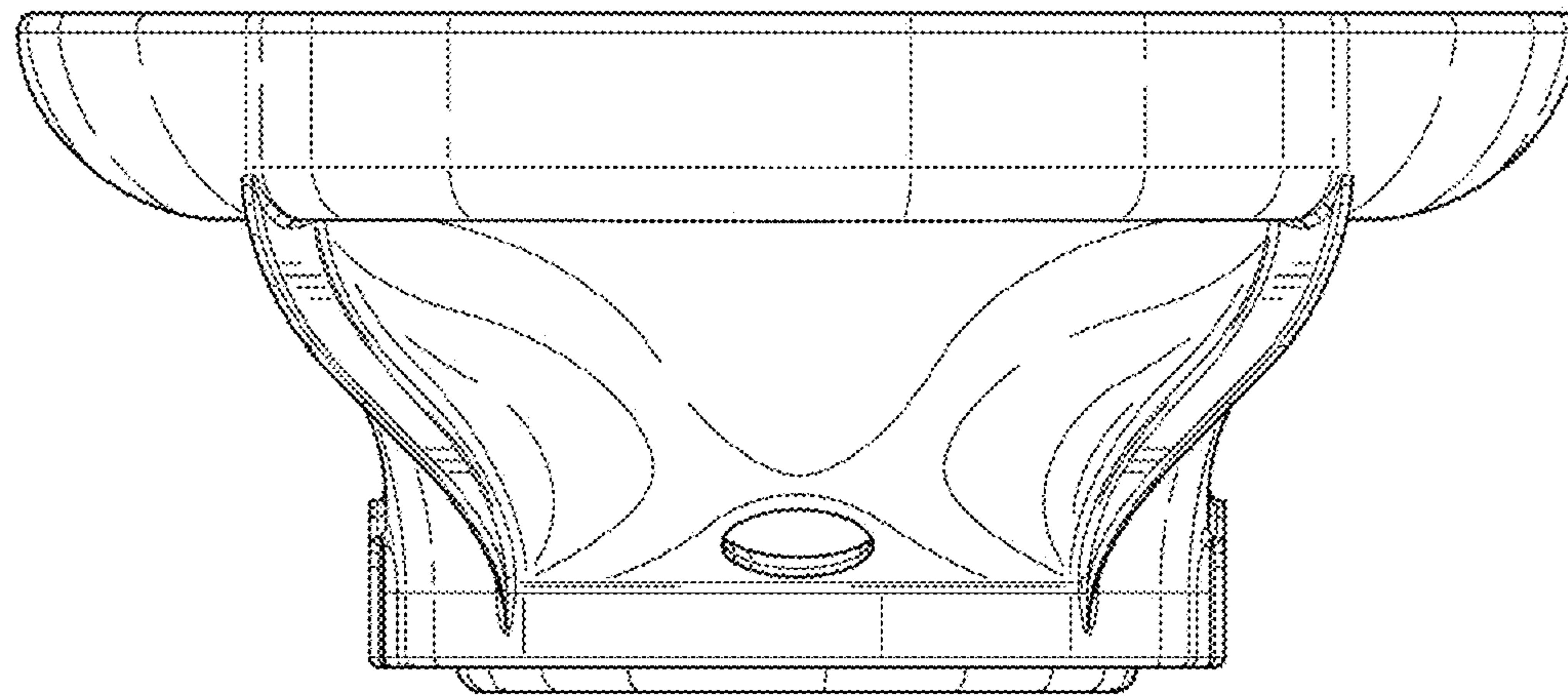


FIG. 6



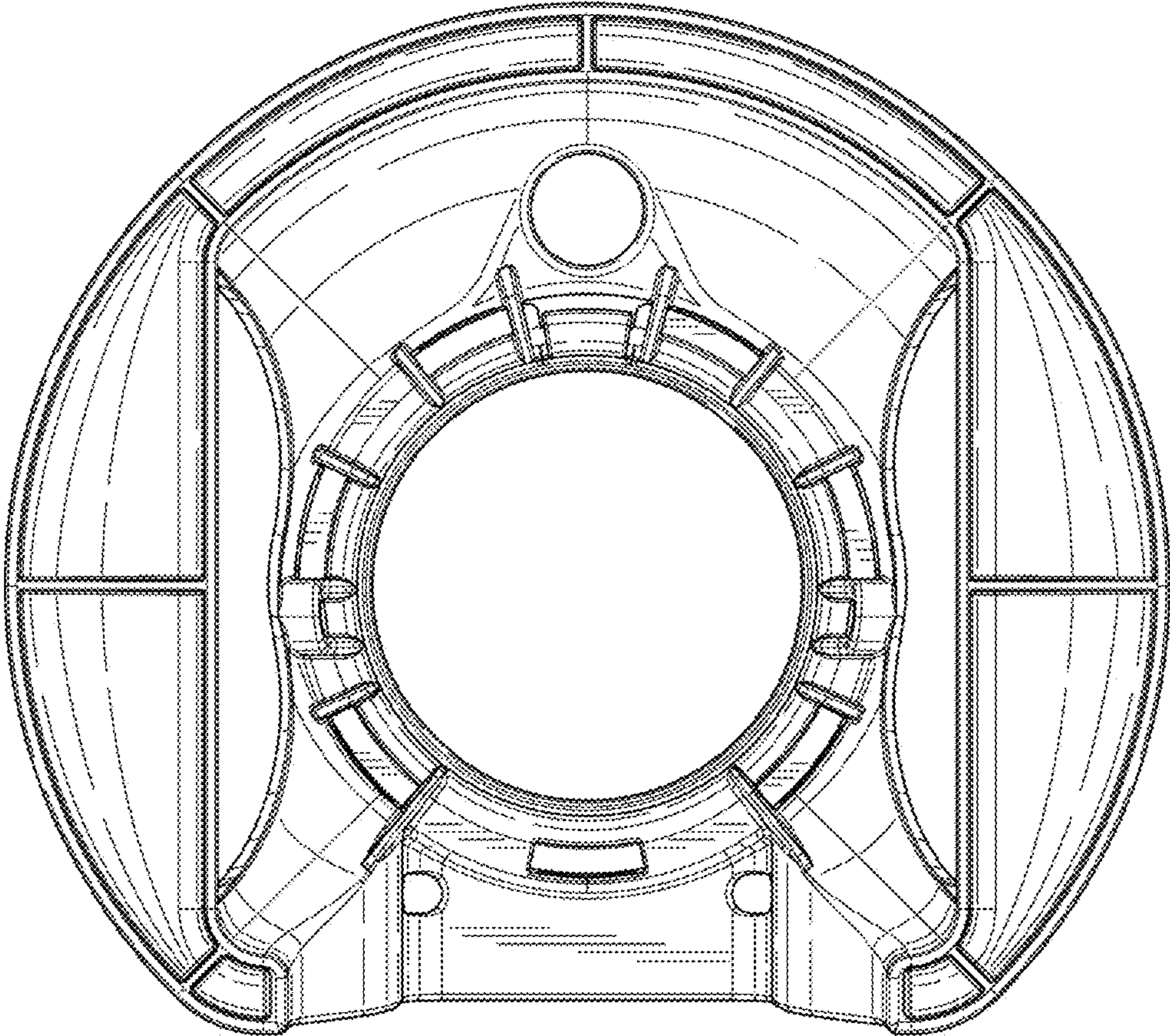


FIG. 7

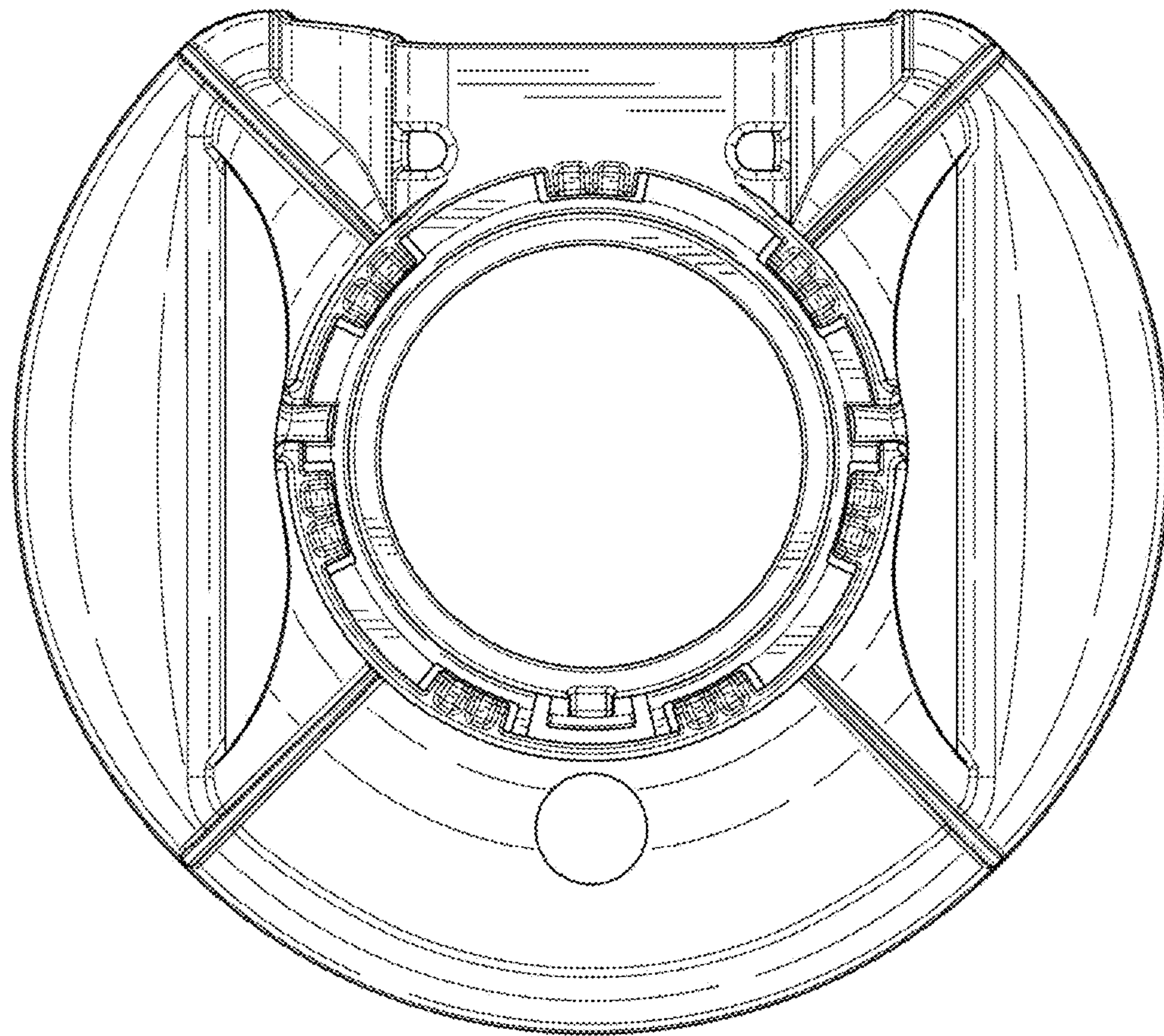


FIG. 8