



US00D930106S

(12) **United States Design Patent** (10) **Patent No.:** **US D930,106 S**  
**Stoller et al.** (45) **Date of Patent:** **\*\* \*Sep. 7, 2021**

(54) **FLEXIBLE-FIT BOTTLE TOP PLUG DEVICE FOR TRAPPING INSECTS**

(71) Applicants: **Ryan Stoller**, Seattle, WA (US); **Scott Stephan**, Seattle, WA (US)

(72) Inventors: **Ryan Stoller**, Seattle, WA (US); **Scott Stephan**, Seattle, WA (US)

(\* ) Notice: This patent is subject to a terminal disclaimer.

(\*\*) Term: **15 Years**

(21) Appl. No.: **29/725,888**

(22) Filed: **Feb. 27, 2020**

**Related U.S. Application Data**

(63) Continuation-in-part of application No. 16/736,723, filed on Jan. 7, 2020.

(51) **LOC (13) Cl.** ..... **22-06**

(52) **U.S. Cl.**  
USPC ..... **D22/122**

(58) **Field of Classification Search**  
USPC ..... D22/122; 43/1, 58, 65, 107, 121, 124, 43/131, 132.1; D9/439, 441  
CPC ... A01M 1/02; A01M 1/103; A01M 2200/011  
See application file for complete search history.

(56) **References Cited**

**U.S. PATENT DOCUMENTS**

D27,780 S *	10/1897	Estes	.....	D9/439
D420,589 S *	2/2000	Baxter	.....	D9/439
6,158,165 A *	12/2000	Wilson	.....	A01M 1/02
				43/100
D478,647 S *	8/2003	McNaughton	.....	D22/122
7,100,324 B2 *	9/2006	Lenker	.....	A01M 1/02
				43/107
D798,989 S *	10/2017	Stoche	.....	D22/122
D820,084 S *	6/2018	Schoen	.....	D9/439
D826,046 S *	8/2018	Niles	.....	D9/439
D875,524 S *	2/2020	Holmes	.....	D9/439

**OTHER PUBLICATIONS**

Hotel Collection Bottle Stoppers, Set of 3, Created for Macy's, <https://www.macys.com/shop/product/hotel-collection-bottle-stoppers-set-of-3-created-for-macys>. Date examiner found Dec. 3, 2020 (Year: 2020).\*

Rabbit Bottle Stoppers, Set of Four, <https://www.surlatable.com/metrokane-rabbit-wine-bottle-stoppers-set-of-4/4775714.html>, Earliest review date 2014. Date examiner found Dec. 3, 2020 (Year: 2014).\*

\* cited by examiner

*Primary Examiner* — Catherine R Oliver-Garcia  
(74) *Attorney, Agent, or Firm* — K. Karel Lambert;  
Lambert Patent Services

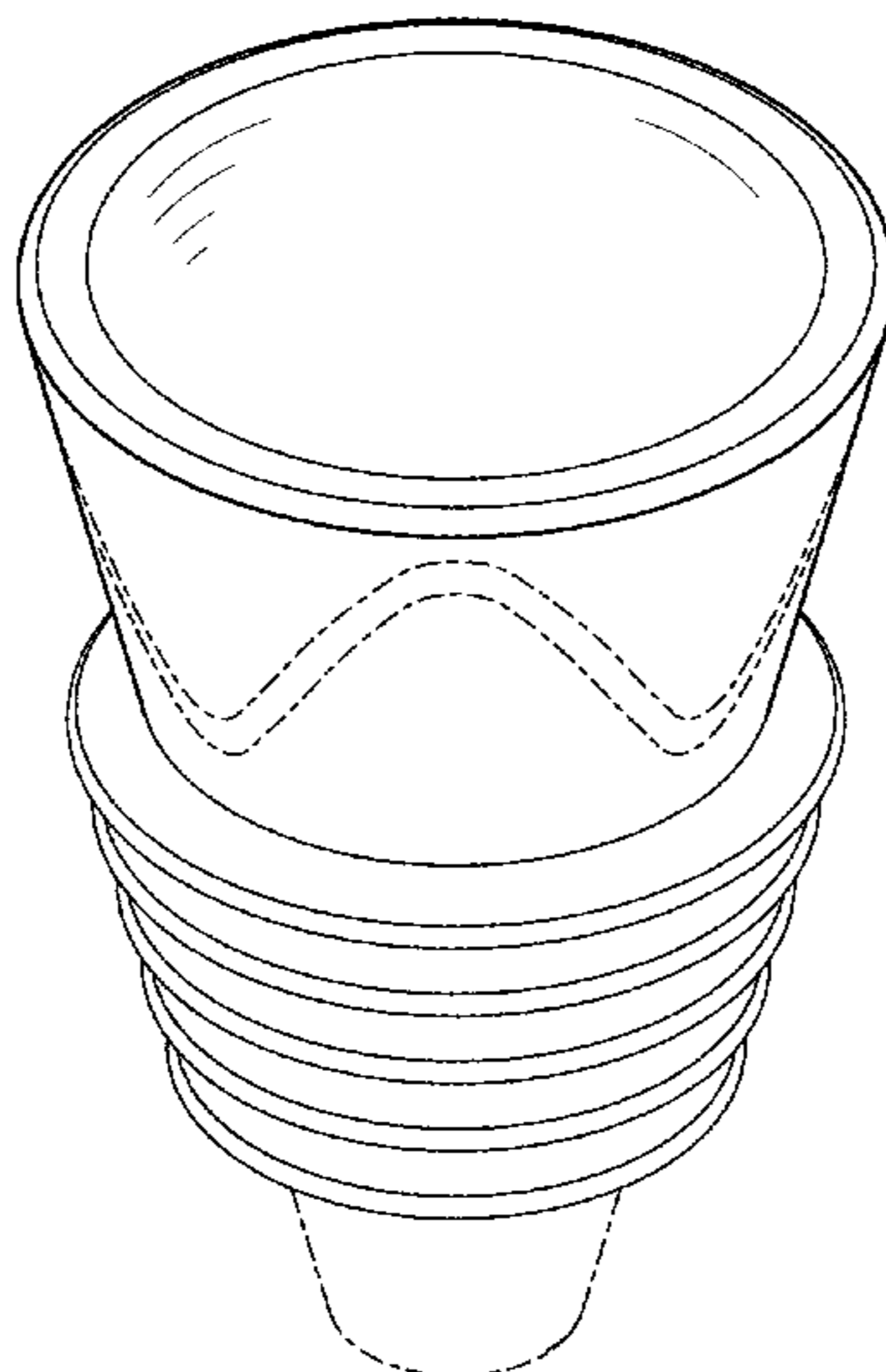
(57) **CLAIM**

The ornamental design for a flexible-fit bottle top plug device for trapping insects, as shown and described.

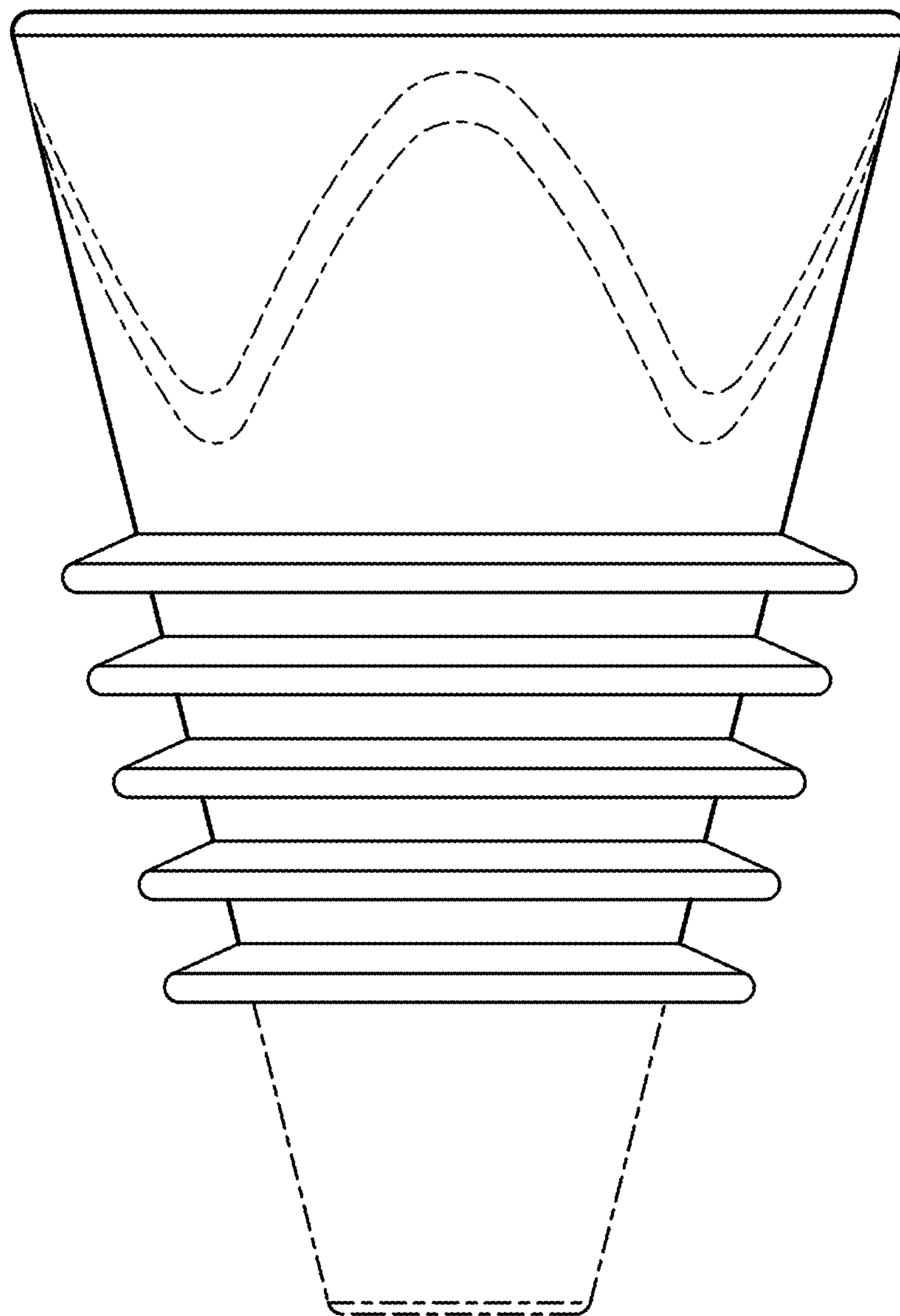
**DESCRIPTION**

FIG. 1 is an elevation view of the flexible-fit bottle top plug device for trapping insects;  
FIG. 2 is another elevation view thereof;  
FIG. 3 is a top perspective view thereof;  
FIG. 4 is a bottom perspective view thereof;  
FIG. 5 is a top plan view thereof;  
FIG. 6 is a bottom plan view thereof;  
FIG. 7 is a sectional view shown along lines VI-VI of FIG. 5; and,  
FIG. 8 is an elevation view shown in use, in which the bottle and winged insects are included for the purpose of illustrating environmental context and form no part of the claimed design.  
The phantom lines depict portions of the flexible-fit bottle top plug device for trapping insects as embodied that are not considered part of the claimed design.

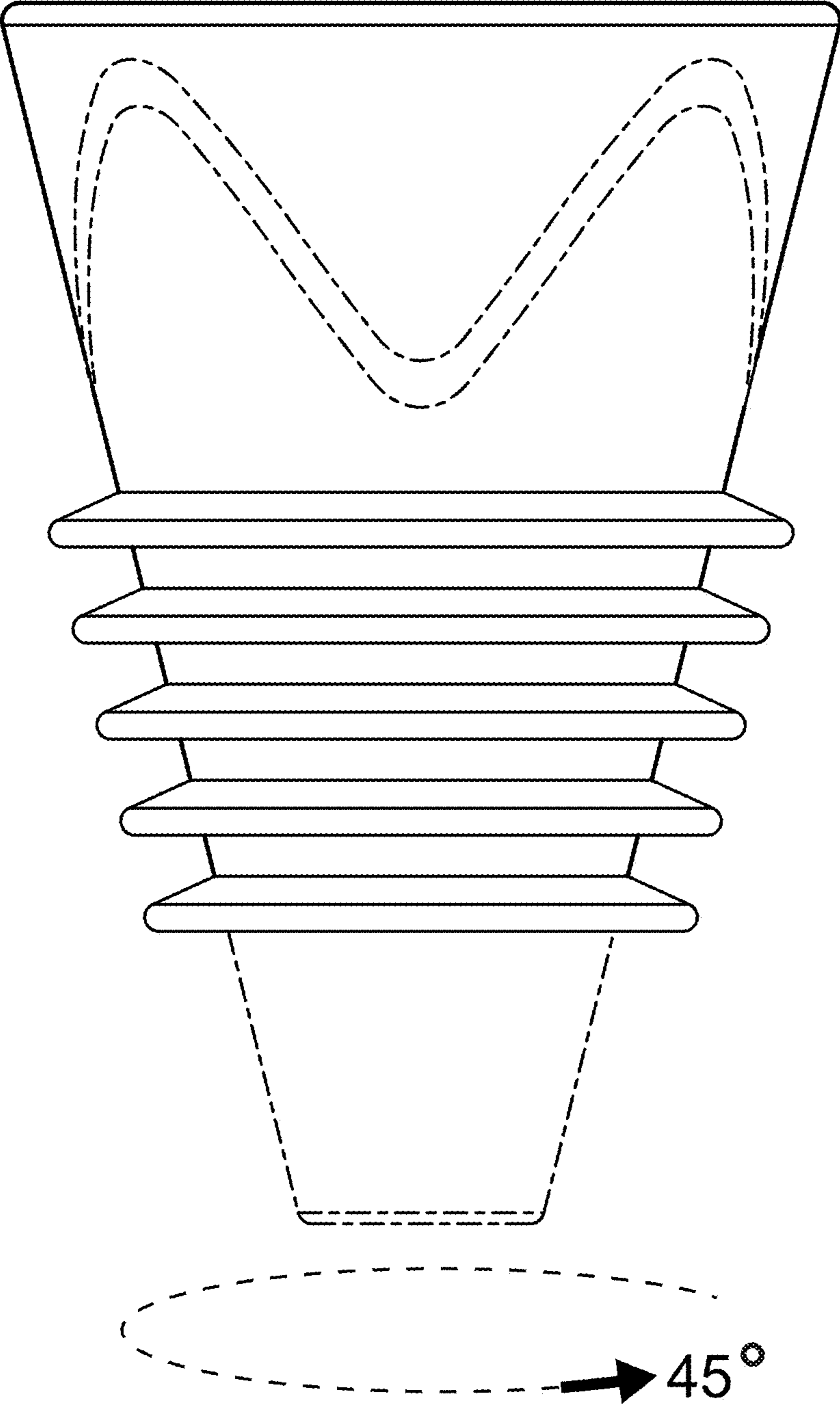
**1 Claim, 7 Drawing Sheets**



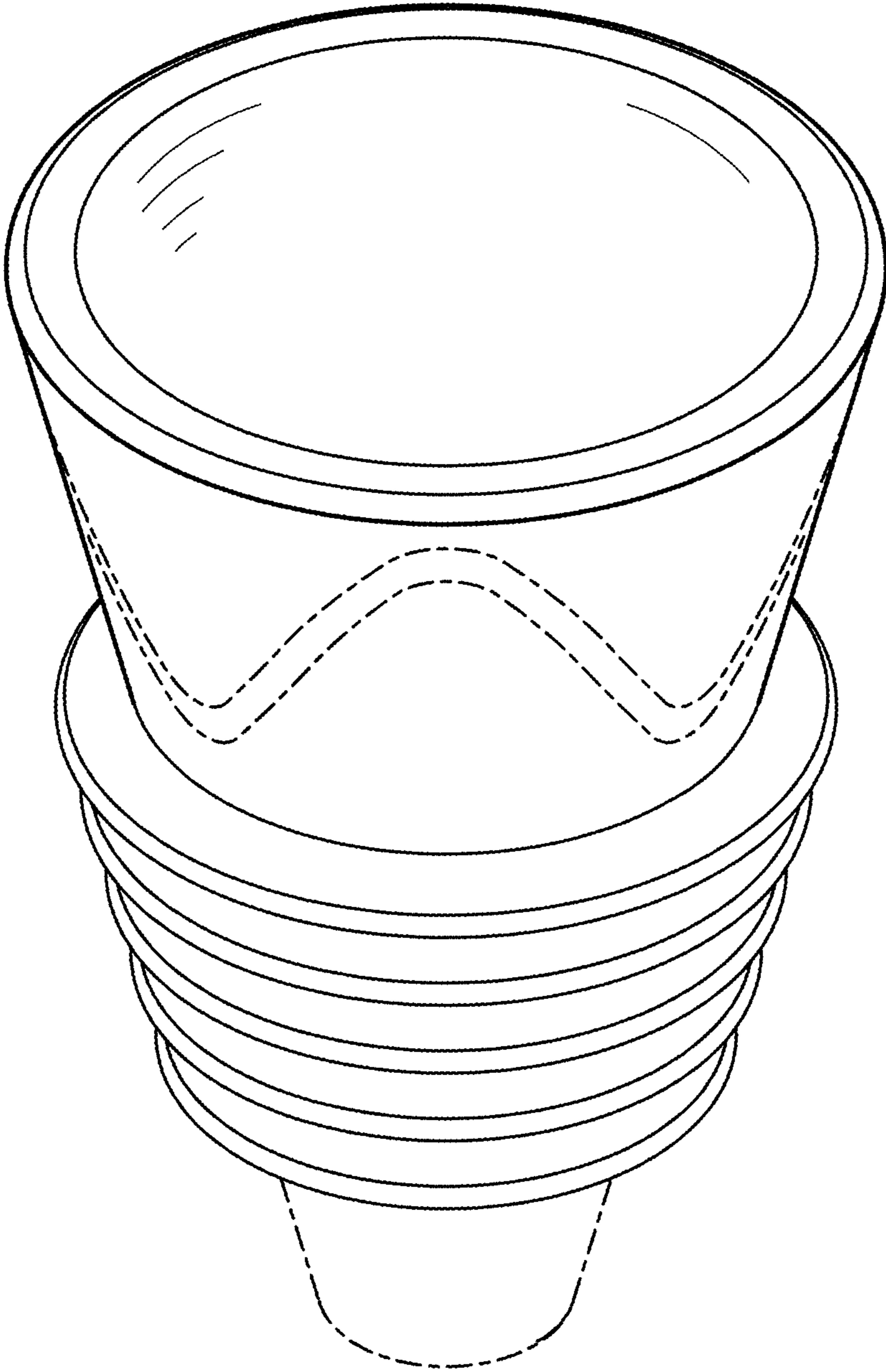
**FIG. 1**



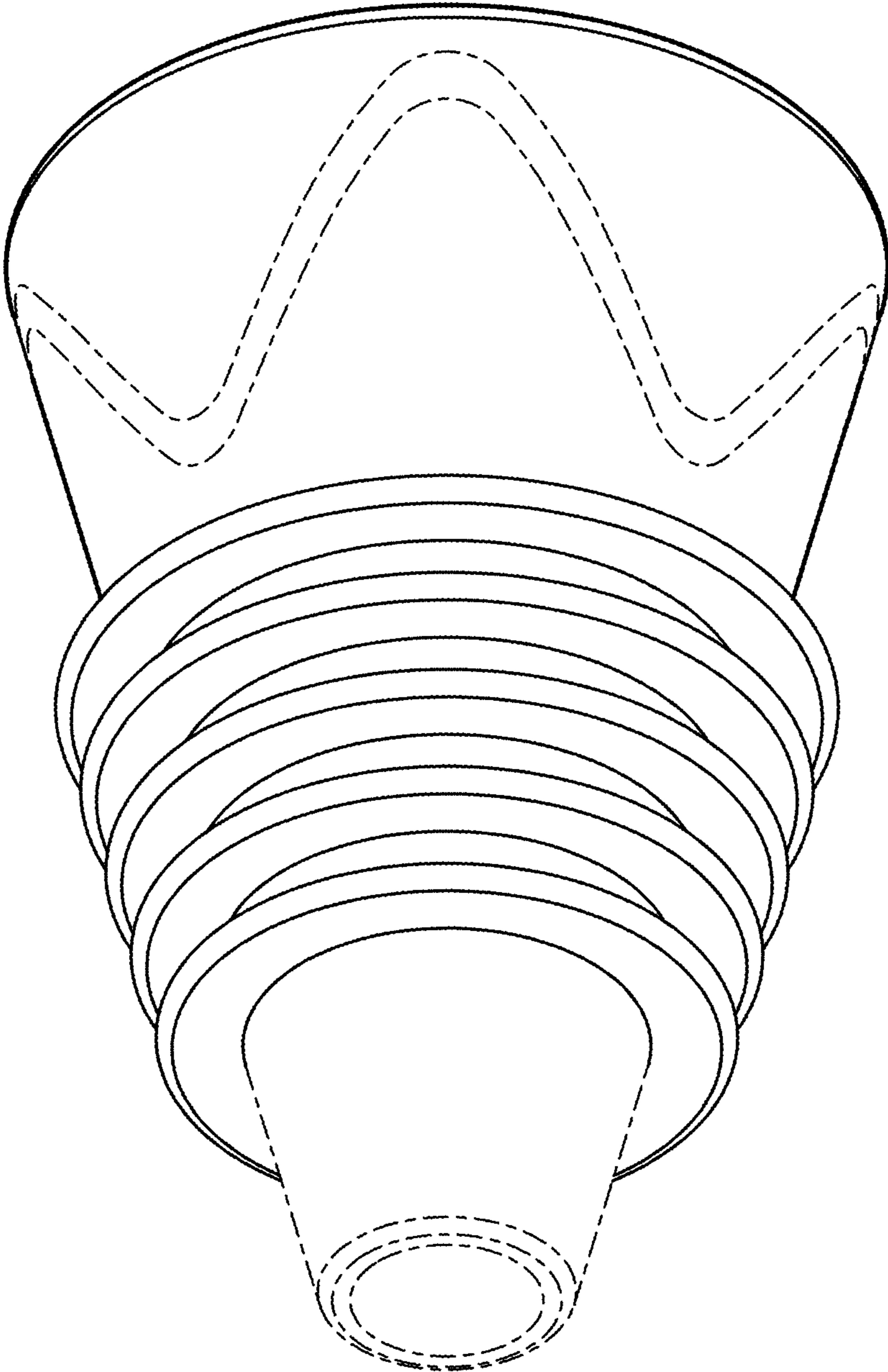
**FIG. 2**

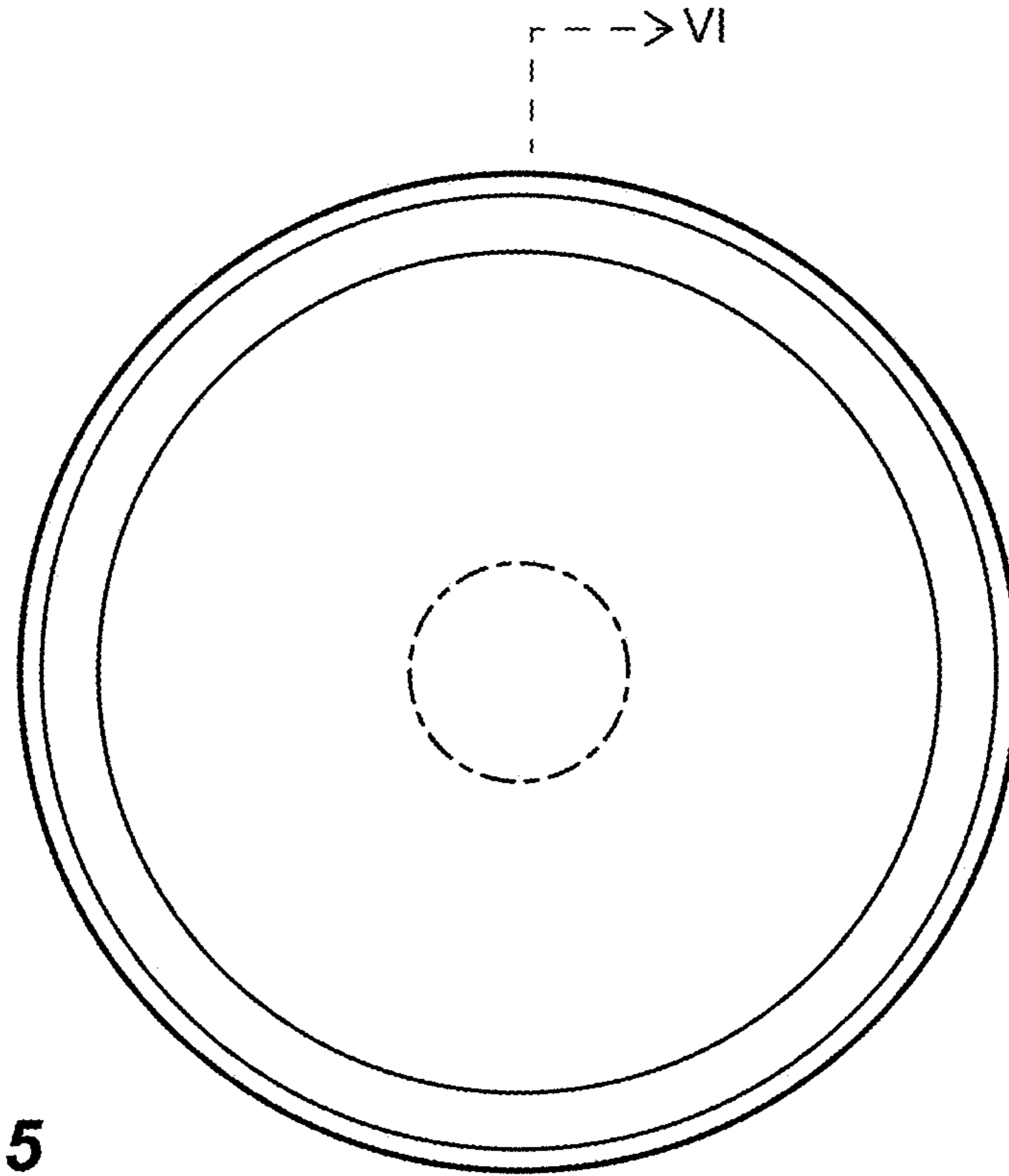


**FIG. 3**

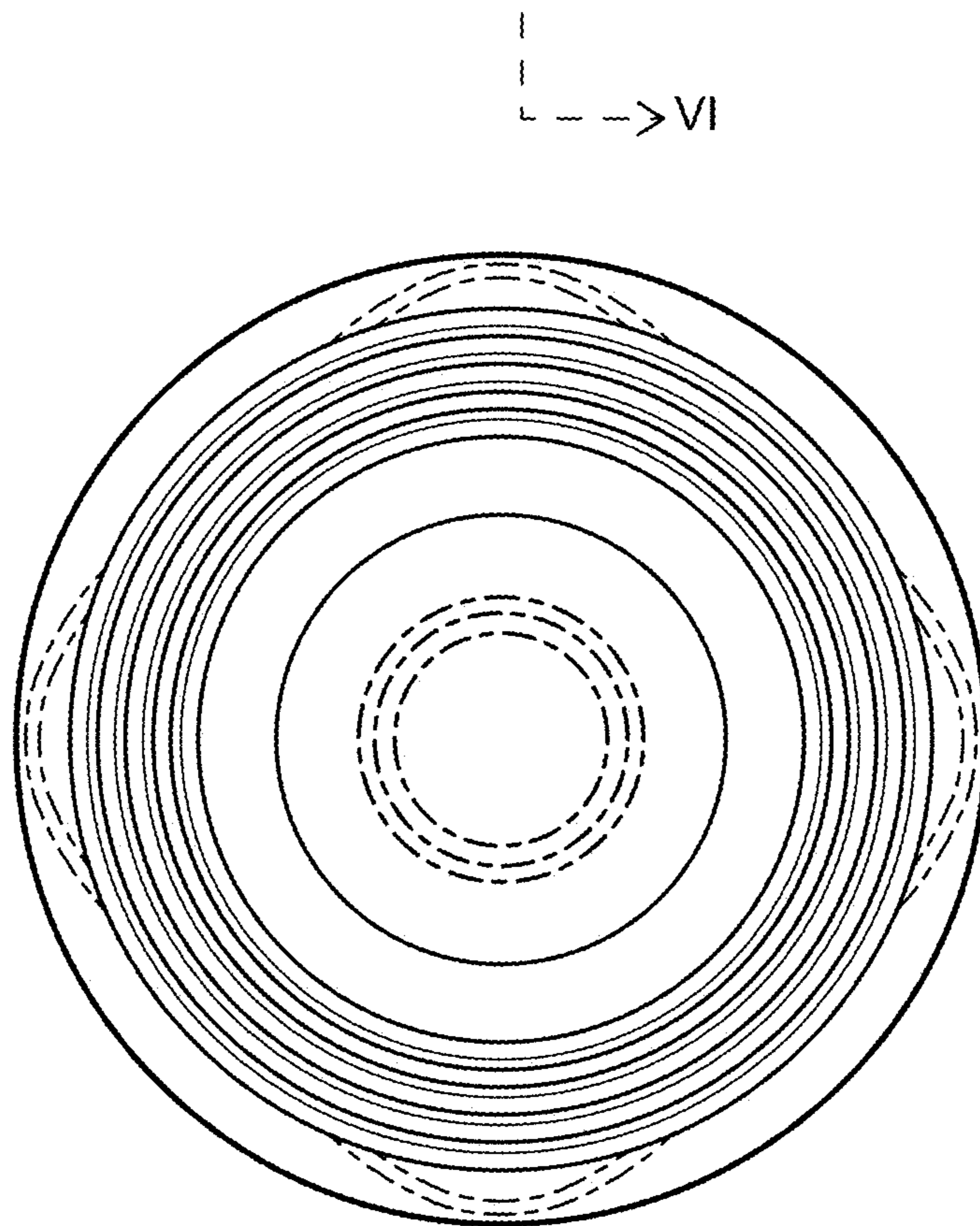


**FIG. 4**



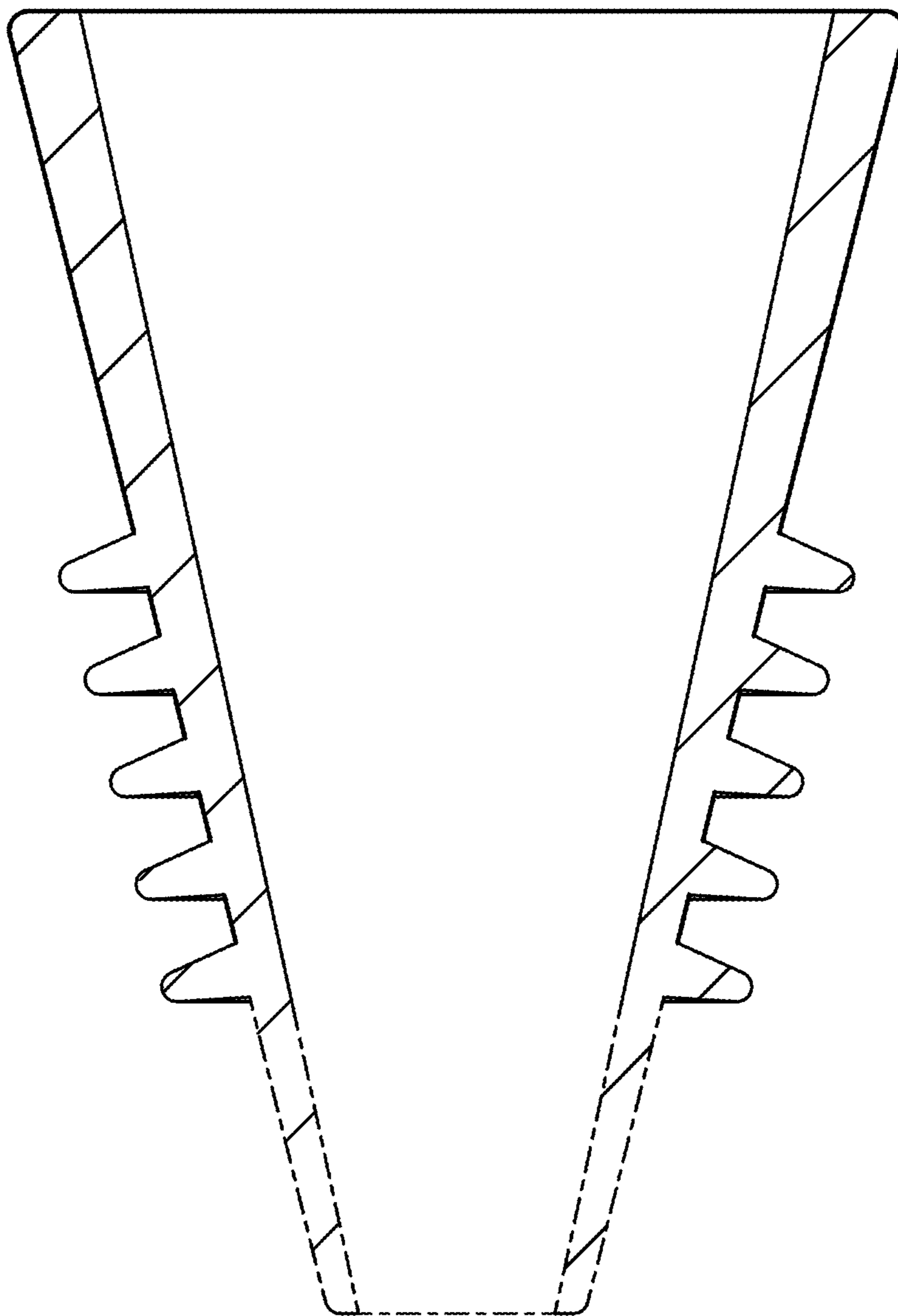


**FIG. 5**



**FIG. 6**

**FIG. 7**



**FIG. 8**

