



US00D930105S

(12) **United States Design Patent** (10) **Patent No.:** **US D930,105 S**  
**Wang** (45) **Date of Patent:** **\*\* Sep. 7, 2021**

(54) **INSERT FOR AN INSECT TRAPPING DEVICE**

(71) Applicant: **The Procter & Gamble Company**, Cincinnati, OH (US)

(72) Inventor: **Mike Shuo Wang**, Cincinnati, OH (US)

(73) Assignee: **The Procter & Gamble Company**, Cincinnati, OH (US)

(\*\*) Term: **15 Years**

(21) Appl. No.: **29/722,082**

(22) Filed: **Jan. 27, 2020**

**Related U.S. Application Data**

(62) Division of application No. 29/693,409, filed on Jun. 3, 2019, now Pat. No. Des. 877,852, which is a division of application No. 29/570,719, filed on Jul. 11, 2016, now Pat. No. Des. 855,143.

(51) **LOC (13) Cl.** ..... **22-06**

(52) **U.S. Cl.**  
USPC ..... **D22/122**

(58) **Field of Classification Search**  
USPC ..... D22/119, 122, 123  
CPC ..... A01M 2200/012; A01M 1/106  
See application file for complete search history.

(56) **References Cited**

**U.S. PATENT DOCUMENTS**

- 4,365,355 A \* 12/1982 Off ..... A41D 27/204  
2/247
- 4,549,916 A \* 10/1985 Off ..... A41D 27/20  
156/214
- D355,696 S \* 2/1995 Yuen ..... D22/123
- D480,754 S \* 10/2003 Berger ..... D19/1
- D616,933 S \* 6/2010 Tegtmeyer ..... D19/10
- D619,005 S \* 7/2010 Lee ..... D9/457
- D689,999 S \* 9/2013 Viala ..... D23/366

- D707,466 S \* 6/2014 Lancaster ..... D6/603
- D744,263 S \* 12/2015 Quinones ..... D6/603
- D779,591 S \* 2/2017 Ceyress ..... D19/10
- D780,284 S \* 2/2017 Lieberwirth ..... D22/122
- D780,285 S \* 2/2017 Lieberwirth ..... D22/122
- D789,028 S \* 6/2017 Wynn ..... D2/500
- D801,678 S \* 11/2017 Director ..... D2/980

(Continued)

**FOREIGN PATENT DOCUMENTS**

WO WO 2016/115107 7/2016

**OTHER PUBLICATIONS**

Target website, Zevo Flying Insect Trap, Publication date unknown, [site visited Dec. 21, 2020], Available on the Internet URL <https://www.target.com/p/zevo-flying-insect-trap-starter-kit/-/A-76150925> (Year: 2020).\*

(Continued)

*Primary Examiner* — Karen S Acker

*Assistant Examiner* — Steven B Reinhardt, Jr.

(74) *Attorney, Agent, or Firm* — Melissa Krasovec

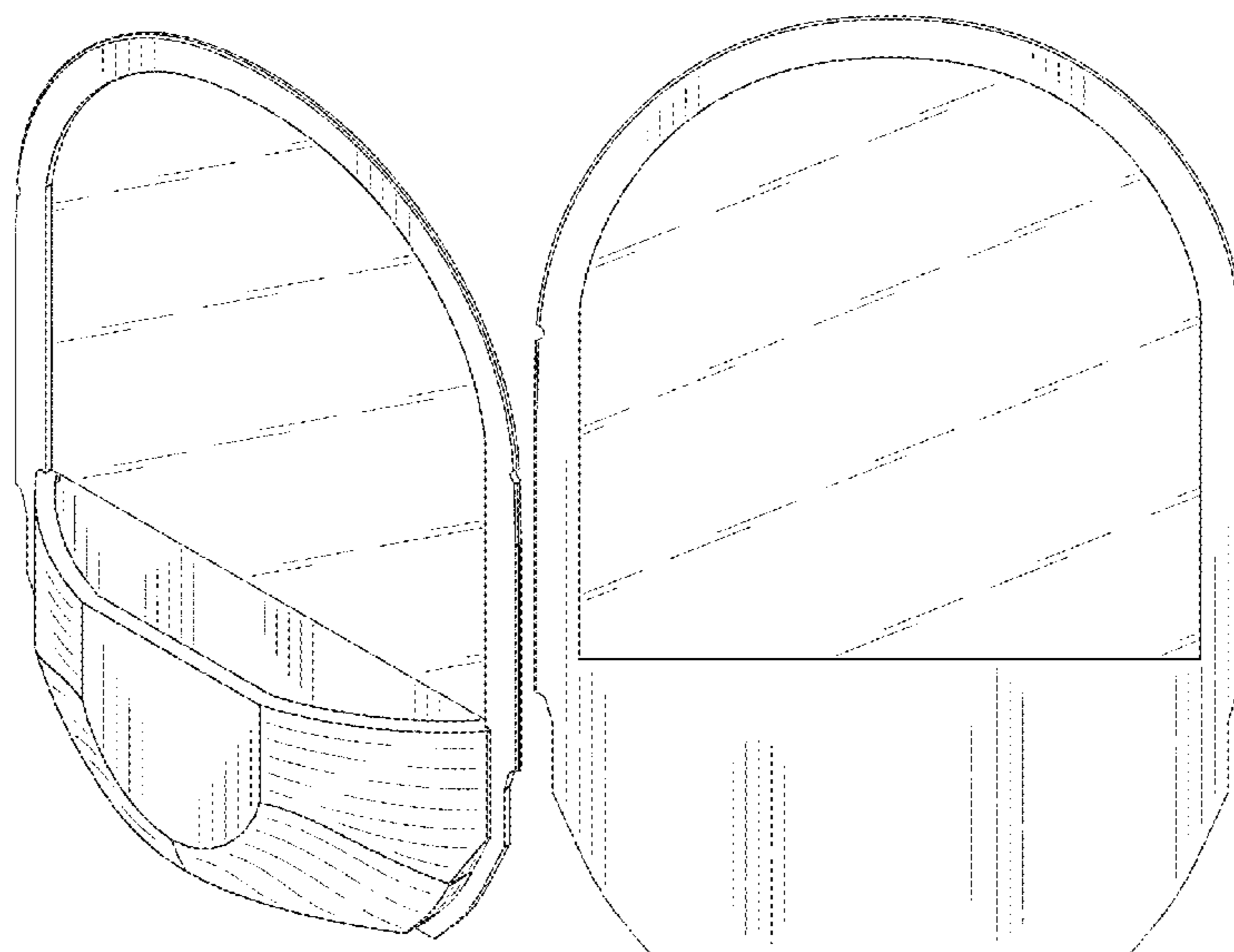
(57) **CLAIM**

The ornamental design for an insert for an insect trapping device, as shown and described.

**DESCRIPTION**

FIG. 1 is a perspective view of an insert for an insect trapping device embodying our new design; FIG. 2 is a front view thereof; FIG. 3 is a right side view thereof; FIG. 4 is a rear view thereof; FIG. 5 is a left side view thereof; FIG. 6 is a top view thereof; and, FIG. 7 is bottom view thereof. The oblique shade lines in the drawings depict a surface that is translucent.

**1 Claim, 2 Drawing Sheets**



(56)

**References Cited**

## U.S. PATENT DOCUMENTS

D803,374	S	*	11/2017	Patton	.....	D23/366
D804,179	S	*	12/2017	Kolstad	.....	D3/303
D807,747	S	*	1/2018	Lee	.....	D9/457
D818,101	S	*	5/2018	Patton	.....	D23/366
D829,876	S	*	10/2018	Arinsmier	.....	D23/366
D834,136	S	*	11/2018	Smith	.....	D22/122
D834,137	S	*	11/2018	Smith	.....	D22/122
D845,430	S	*	4/2019	Smith	.....	D22/122
D849,878	S	*	5/2019	Lieberwirth	.....	D22/122
D850,572	S	*	6/2019	Lieberwirth	.....	D22/122
D855,143	S	*	7/2019	Wang	.....	D22/122
10,561,135	B2	*	2/2020	Sandford	.....	A01M 1/02
10,568,314	B2	*	2/2020	Sandford	.....	A01M 1/145
D877,852	S	*	3/2020	Wang	.....	D22/122
D878,512	S	*	3/2020	Wang	.....	D22/122
D878,513	S	*	3/2020	Chojnacki	.....	D22/122
10,588,307	B2	*	3/2020	Sandford	.....	A01M 1/145
2016/0000060	A1	*	1/2016	Sandford	.....	A01M 1/14 43/113
2016/0000061	A1		1/2016	Schaefer et al.		
2016/0262367	A1	*	9/2016	Sandford	.....	A01M 1/145
2017/0035039	A1	*	2/2017	Sandford	.....	A01M 1/023
2017/0303523	A1	*	10/2017	Sandford	.....	A01M 1/023
2019/0150431	A1	*	5/2019	Uchiyama	.....	A01N 25/002

## OTHER PUBLICATIONS

YouTube—Zevo Insect, How it Works: Zevo Flying Insect Trap, Publication date Mar. 8, 2017, [site visited Dec. 21, 2020], Available on the Internet URL <https://www.youtube.com/watch?v=MrkKVum3KV4> (Year: 2017).\*

All Office Actions; U.S. Appl. No. 29/570,719.

All Office Actions; U.S. Appl. No. 29/693,409.

\* cited by examiner

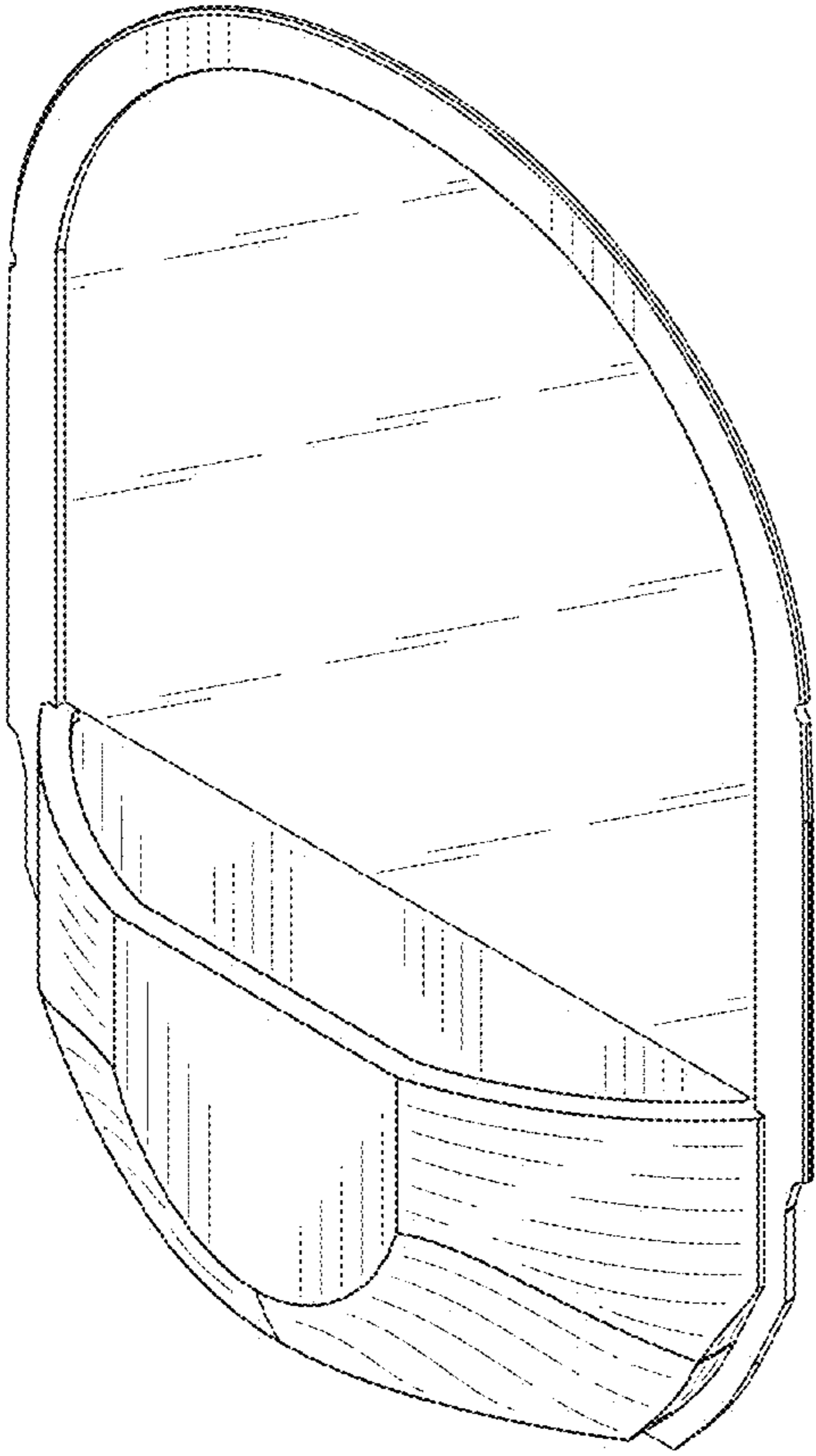


FIG. 1

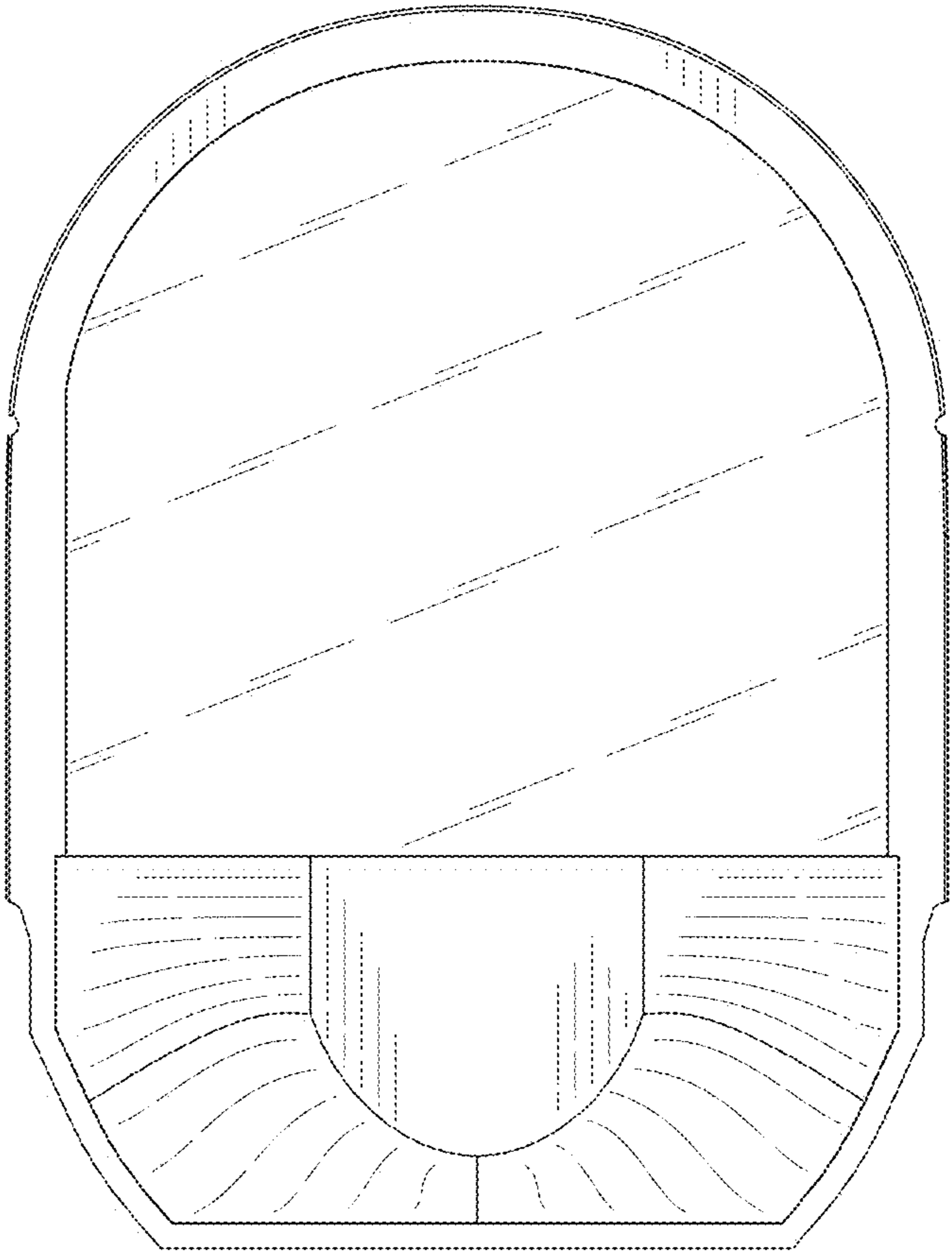


FIG. 2

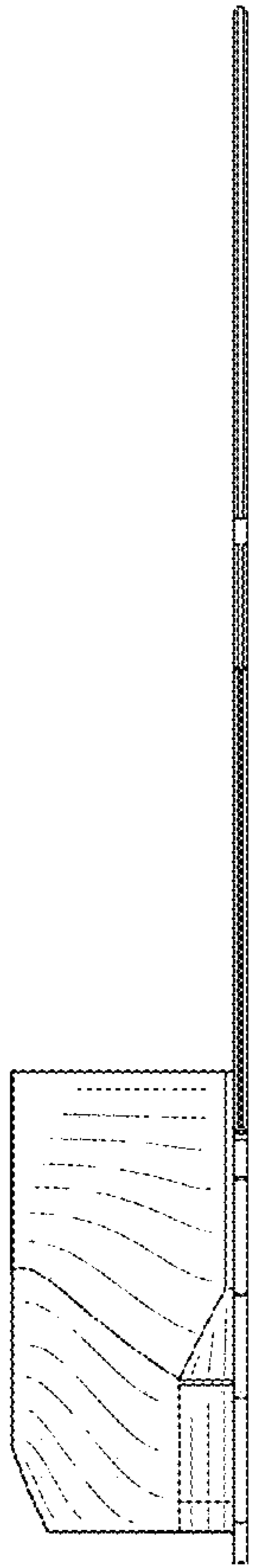


FIG. 3

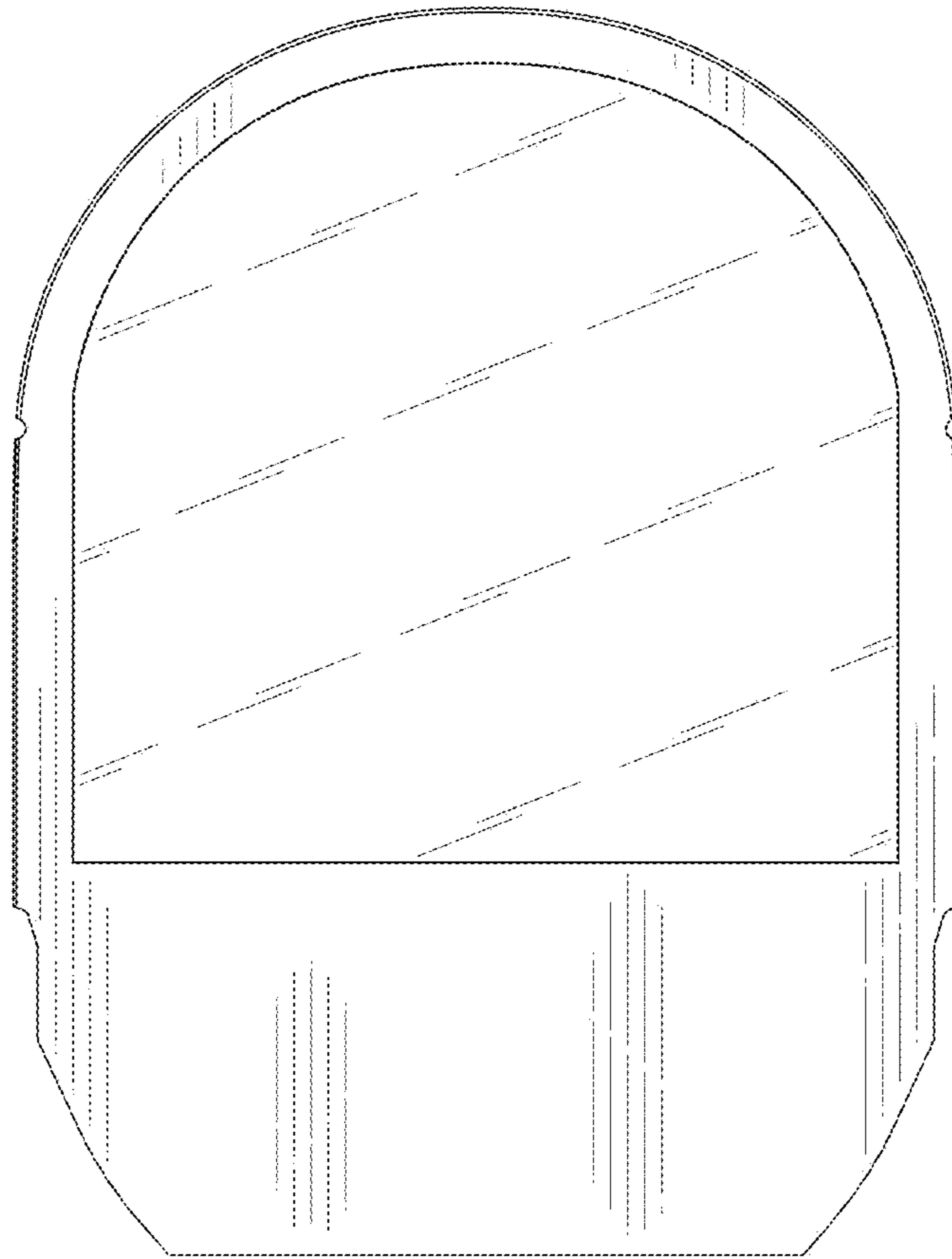


FIG. 4

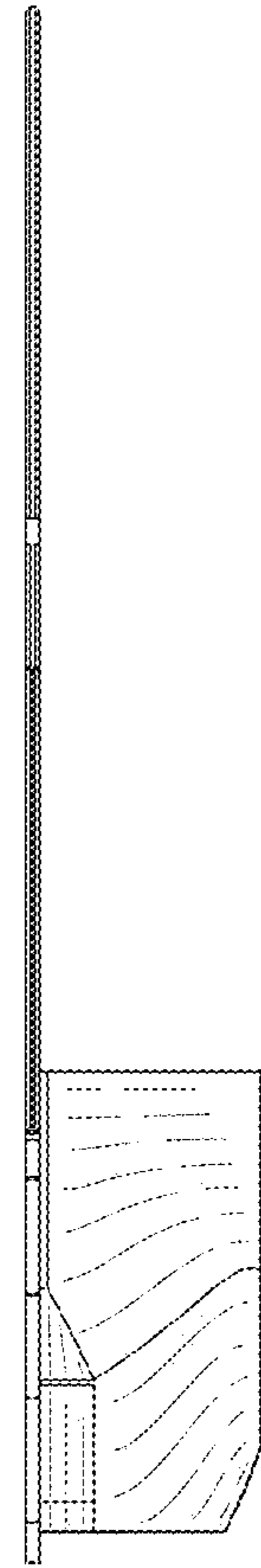


FIG. 5

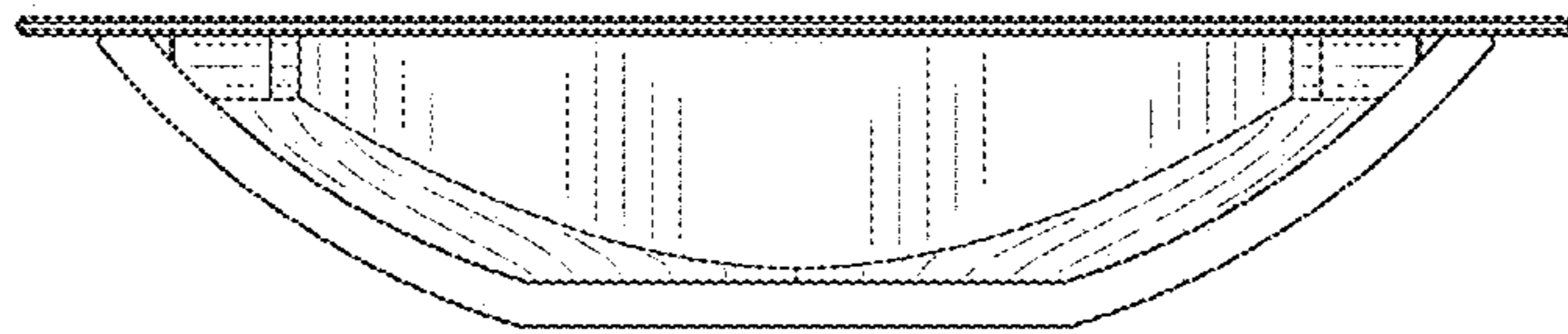


FIG. 6

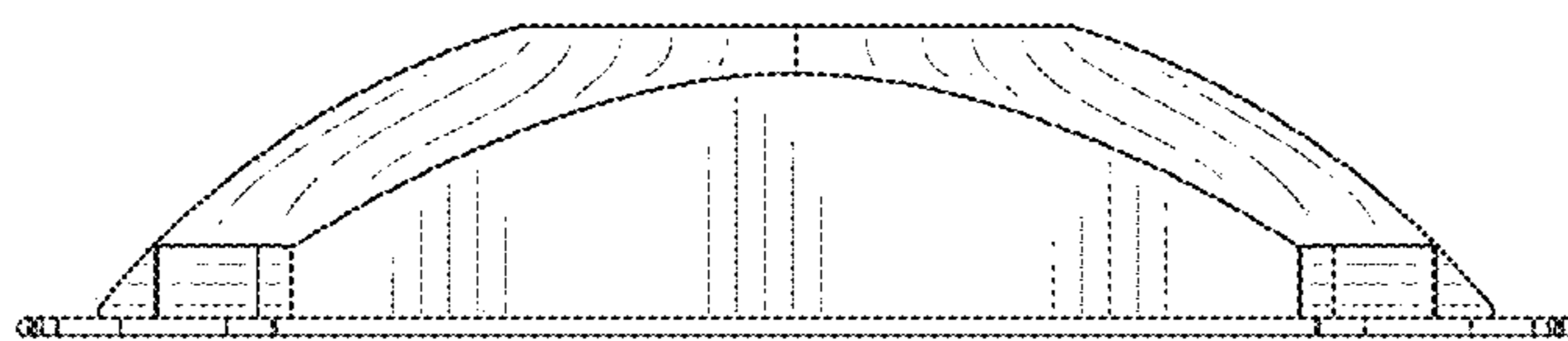


FIG. 7