



US00D930103S

(12) **United States Design Patent** (10) **Patent No.:** **US D930,103 S**
Blosser et al. (45) **Date of Patent:** **** Sep. 7, 2021**

(54) **CUT-ON-CONTACT BROADHEAD**

(71) Applicant: **FeraDyne Outdoors, LLC**, Superior, WI (US)

(72) Inventors: **Benjamin D. Blosser**, Corydon, KY (US); **Jon Arthur Syverson**, Cloquet, MN (US)

(73) Assignee: **FeraDyne Outdoors, LLC**, Superior, WI (US)

(**) Term: **15 Years**

(21) Appl. No.: **29/705,461**

(22) Filed: **Sep. 12, 2019**

Related U.S. Application Data

(63) Continuation of application No. 16/564,630, filed on Sep. 9, 2019, now Pat. No. 10,895,440, which is a (Continued)

(51) **LOC (13) Cl.** **22-01**

(52) **U.S. Cl.**
USPC **D22/107**

(58) **Field of Classification Search**
USPC **D22/107**
(Continued)

(56) **References Cited**

U.S. PATENT DOCUMENTS

D730,471 S * 5/2015 Pedersen D22/107
D743,500 S * 11/2015 Pedersen D22/107
(Continued)

Primary Examiner — Michael A. Pratt

(74) *Attorney, Agent, or Firm* — Greenberg Traurig, LLP;
Dipak J. Shah

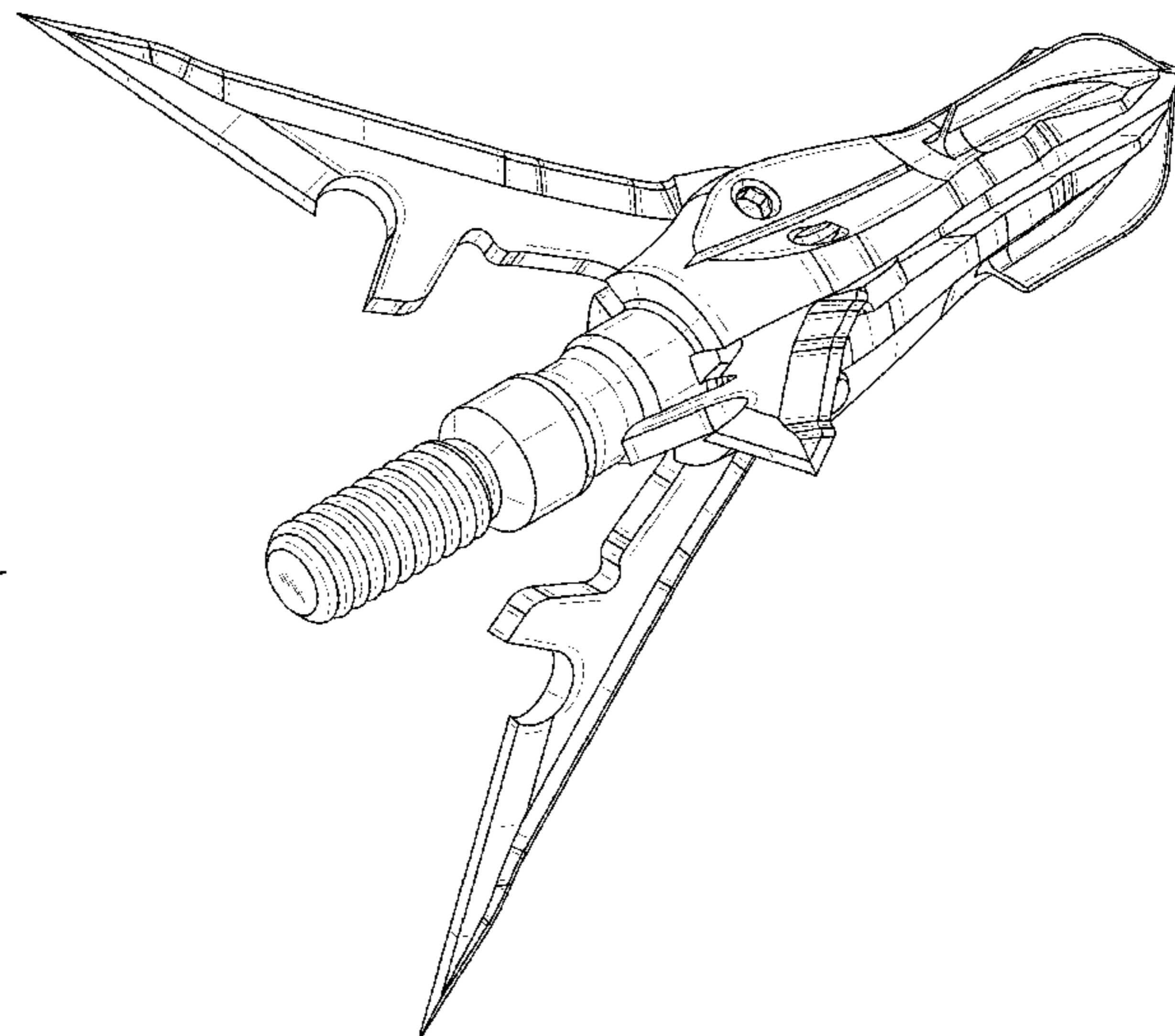
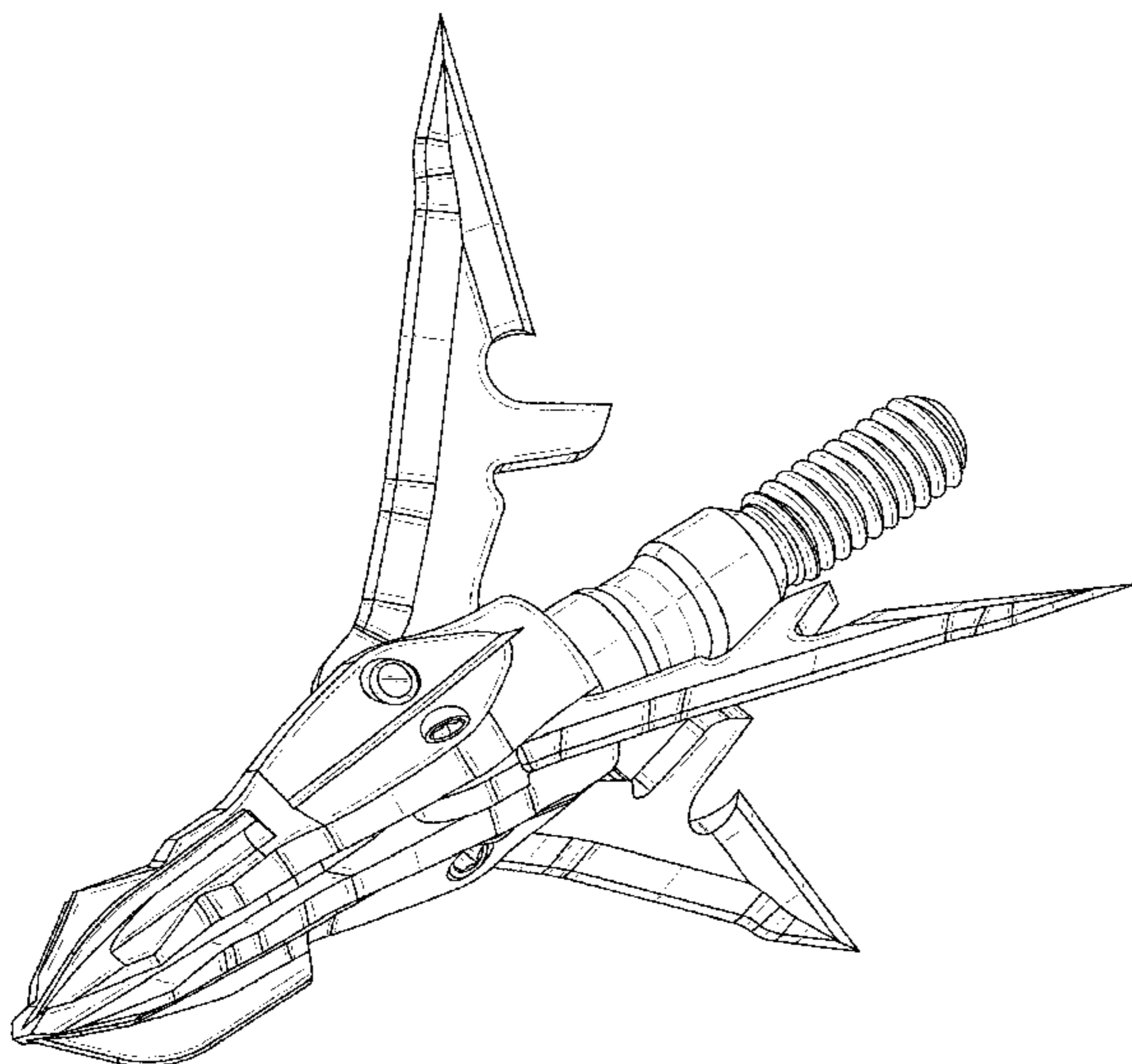
(57) **CLAIM**

The ornamental design for a cut-on-contact broadhead, as shown and described.

DESCRIPTION

FIG. 1 is a perspective view of an embodiment of a cut-on-contact broadhead illustrated with a plurality of blades in a fully deployed configuration; FIG. 2 is another perspective view of the broadhead of FIG. 1; FIG. 3 is another perspective view of the broadhead of FIG. 1; FIG. 4 is another perspective view of the broadhead of FIG. 1; FIG. 5 is an elevation view of the broadhead of FIG. 1 as viewed from a proximal (rear) location; FIG. 6 is an elevation view of the broadhead of FIG. 1 as viewed from a distal (front) location; FIG. 7 is a plan view of the broadhead of FIG. 1; FIG. 8 is another plan view of the broadhead of FIG. 1; FIG. 9 is another plan view of the broadhead of FIG. 1; FIG. 10 is another plan view of the broadhead of FIG. 1; FIG. 11 is a perspective view of the broadhead of FIG. 1 illustrated with the blades in a fully retracted configuration; FIG. 12 is another perspective view of the broadhead of FIG. 11; FIG. 13 is another perspective view of the broadhead of FIG. 11; FIG. 14 is another perspective view of the broadhead of FIG. 11; FIG. 15 is an elevation view of the broadhead of FIG. 11 as viewed from the proximal (rear) location; FIG. 16 is an elevation view of the broadhead of FIG. 11 as viewed from the distal (front) location; FIG. 17 is a plan view of the broadhead of FIG. 11; FIG. 18 is another plan view of the broadhead of FIG. 11; FIG. 19 is another plan view of the broadhead of FIG. 11; FIG. 20 is another plan view of the broadhead of FIG. 11; and, FIG. 21 is a plan view of the broadhead of FIG. 11 illustrated with an embodiment of a collar configured for retaining the blades in the fully retracted configuration.

1 Claim, 13 Drawing Sheets



Related U.S. Application Data

continuation-in-part of application No. 16/161,713,
filed on Oct. 16, 2018, now Pat. No. 10,458,763.

(58) **Field of Classification Search**

CPC F42B 6/04; F42B 6/08; F42B 6/003; F42B
6/02; F42B 12/362

See application file for complete search history.

(56) **References Cited**

U.S. PATENT DOCUMENTS

D776,782	S *	1/2017	Pedersen	D22/107
D847,290	S *	4/2019	Betty	D22/107
2015/0354928	A1 *	12/2015	Mizek	F42B 6/08
				473/583
2017/0122712	A1 *	5/2017	Hahn	F42B 6/08
2019/0113316	A1 *	4/2019	Blosser	F42B 6/08
2019/0219372	A1 *	7/2019	Haas	F42B 6/08
2019/0277607	A1 *	9/2019	Motz	F42B 6/08
2019/0376772	A1 *	12/2019	Romero	F42B 6/08
2019/0390945	A1 *	12/2019	Blosser	F42B 6/08
2020/0103208	A1 *	4/2020	Sanford	F42B 6/08
2020/0173760	A1 *	6/2020	Albanese	F42B 6/08

* cited by examiner

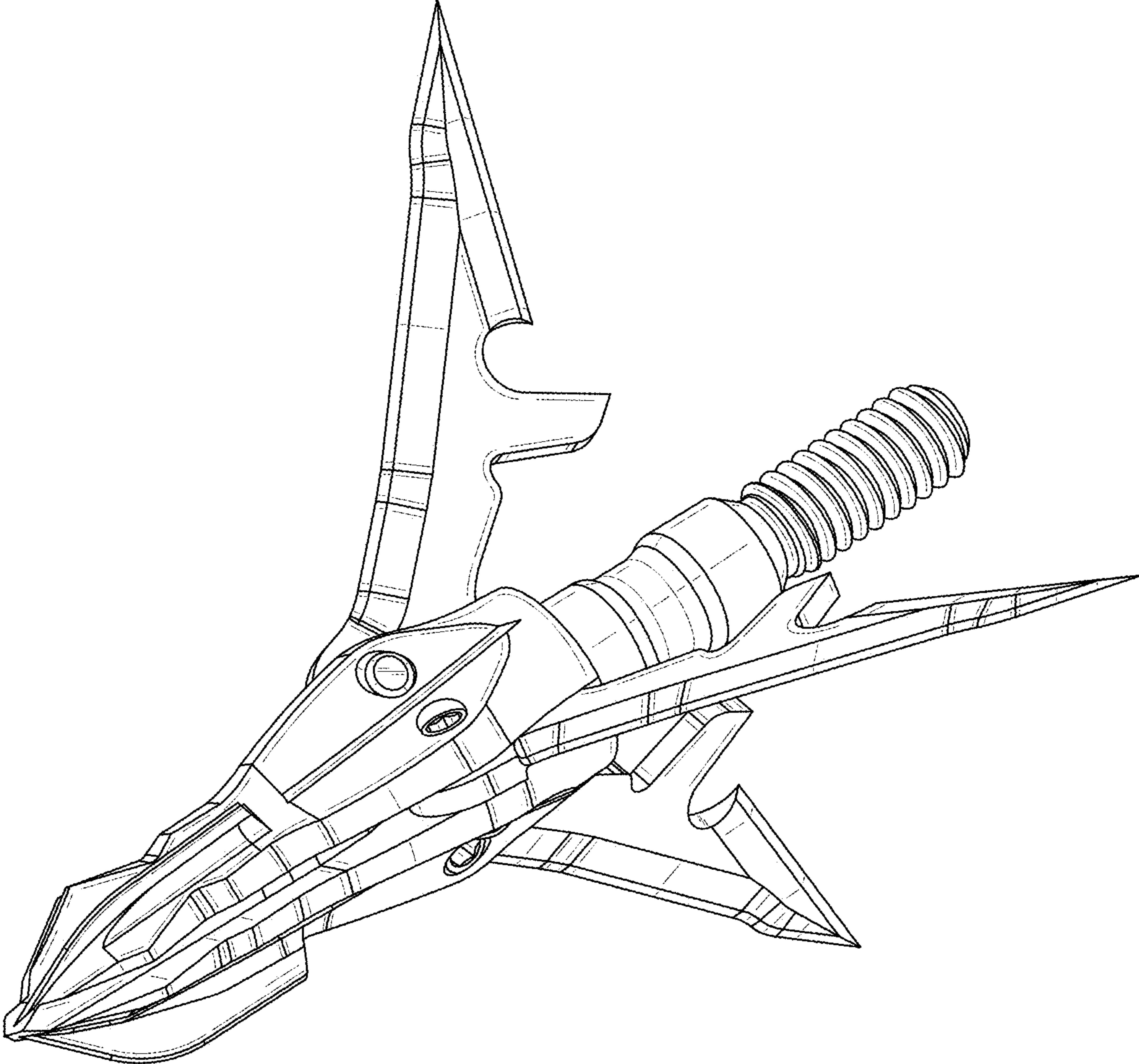


FIG. 1

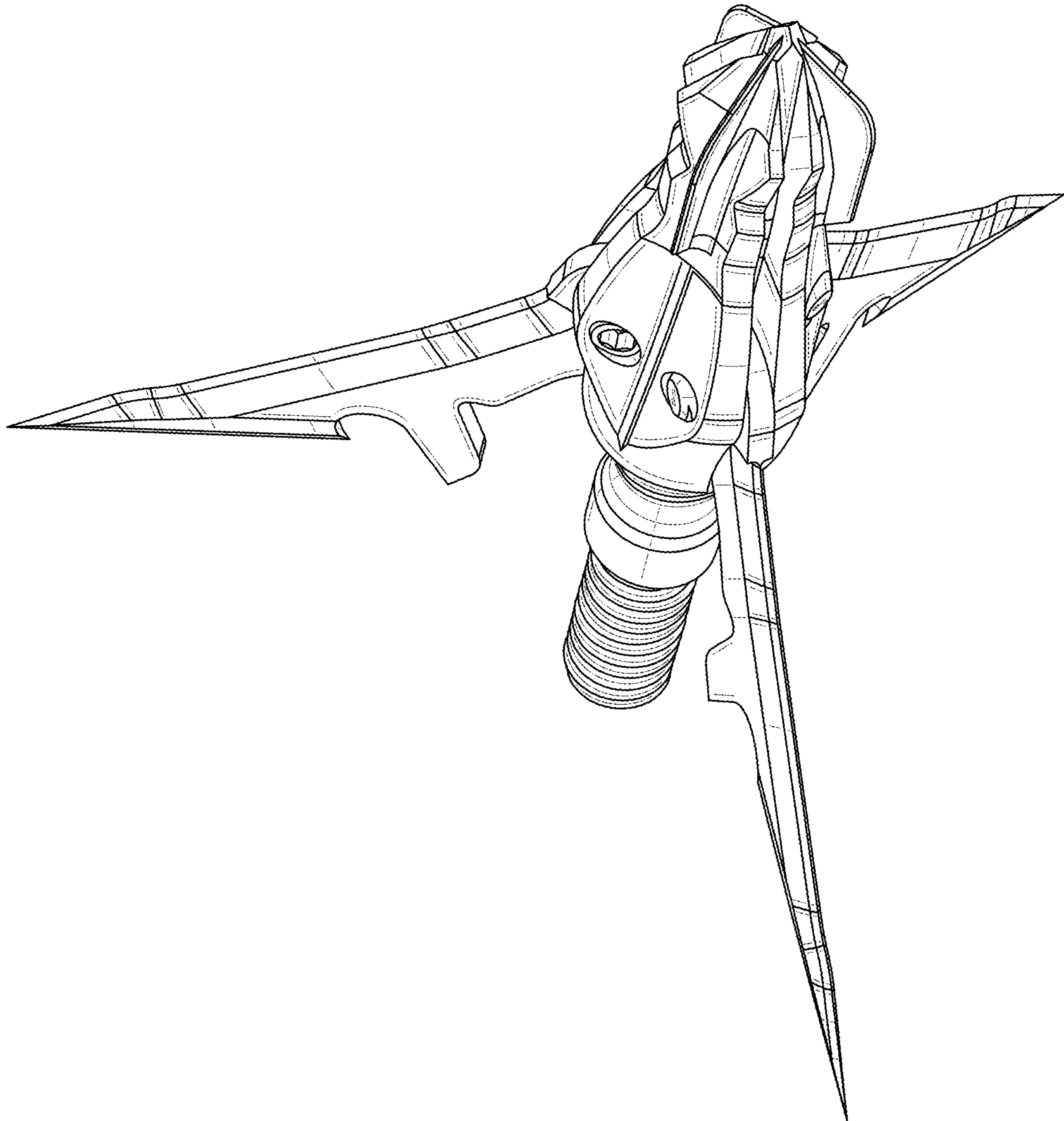


FIG. 2

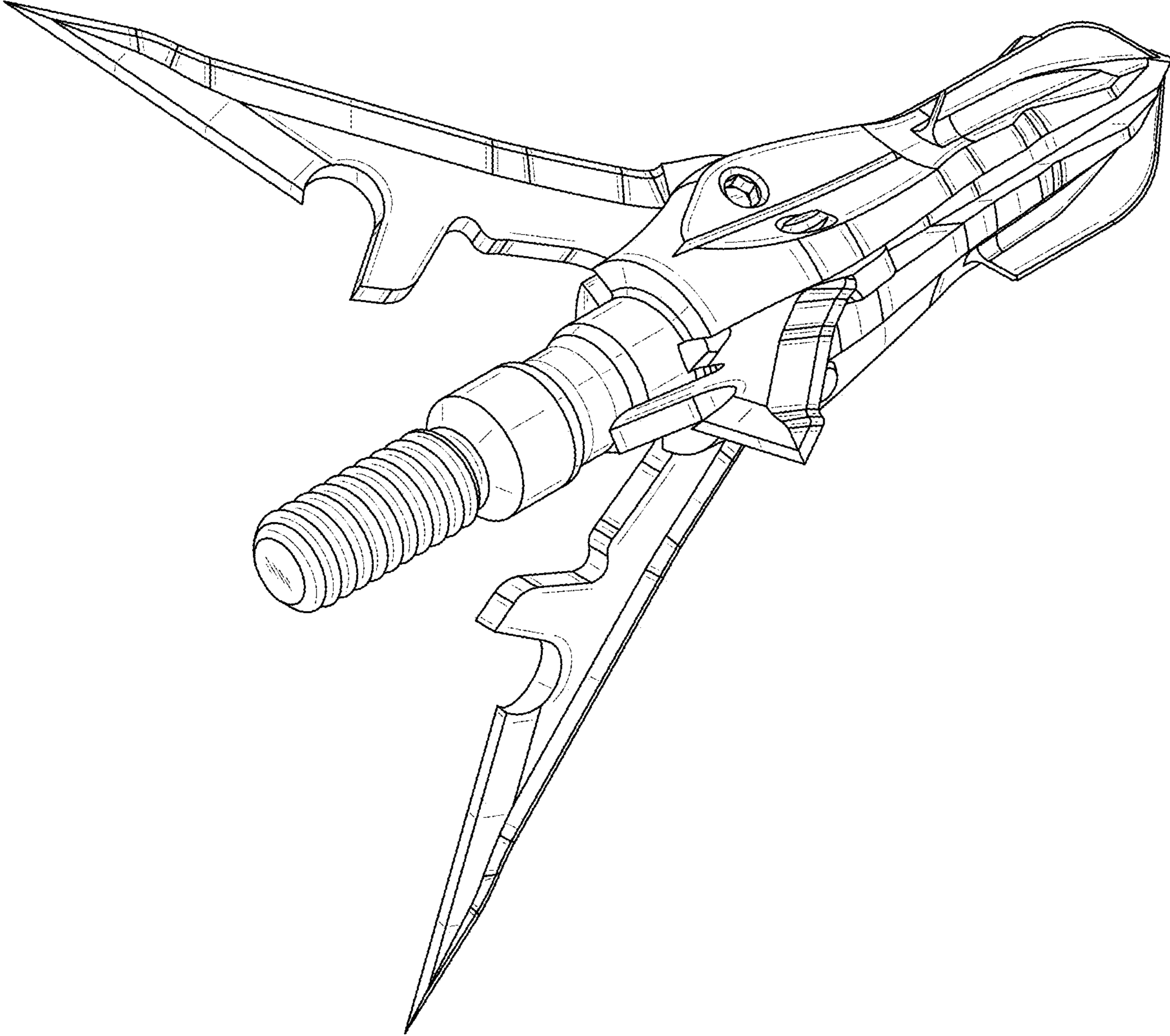


FIG. 3

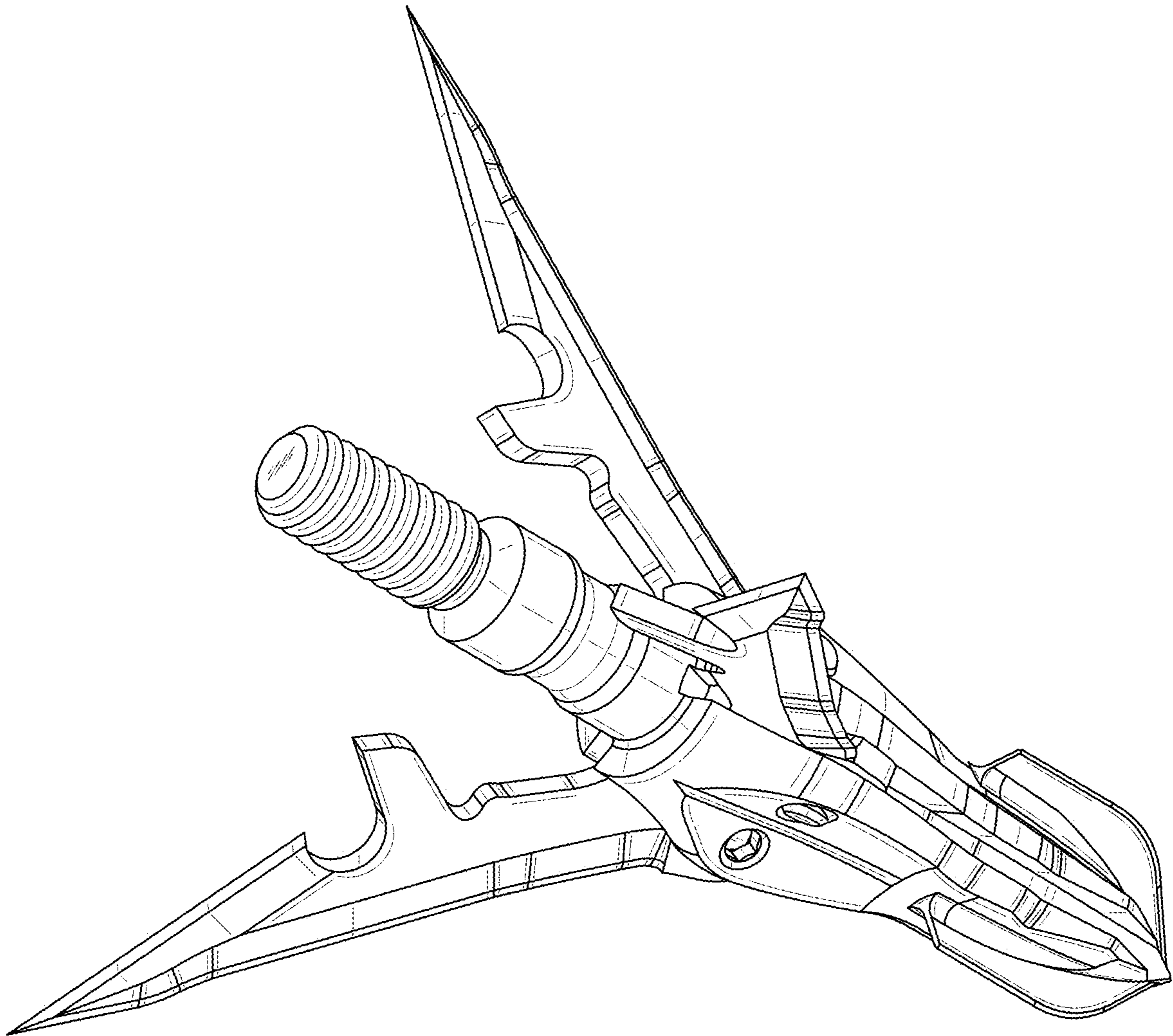


FIG. 4

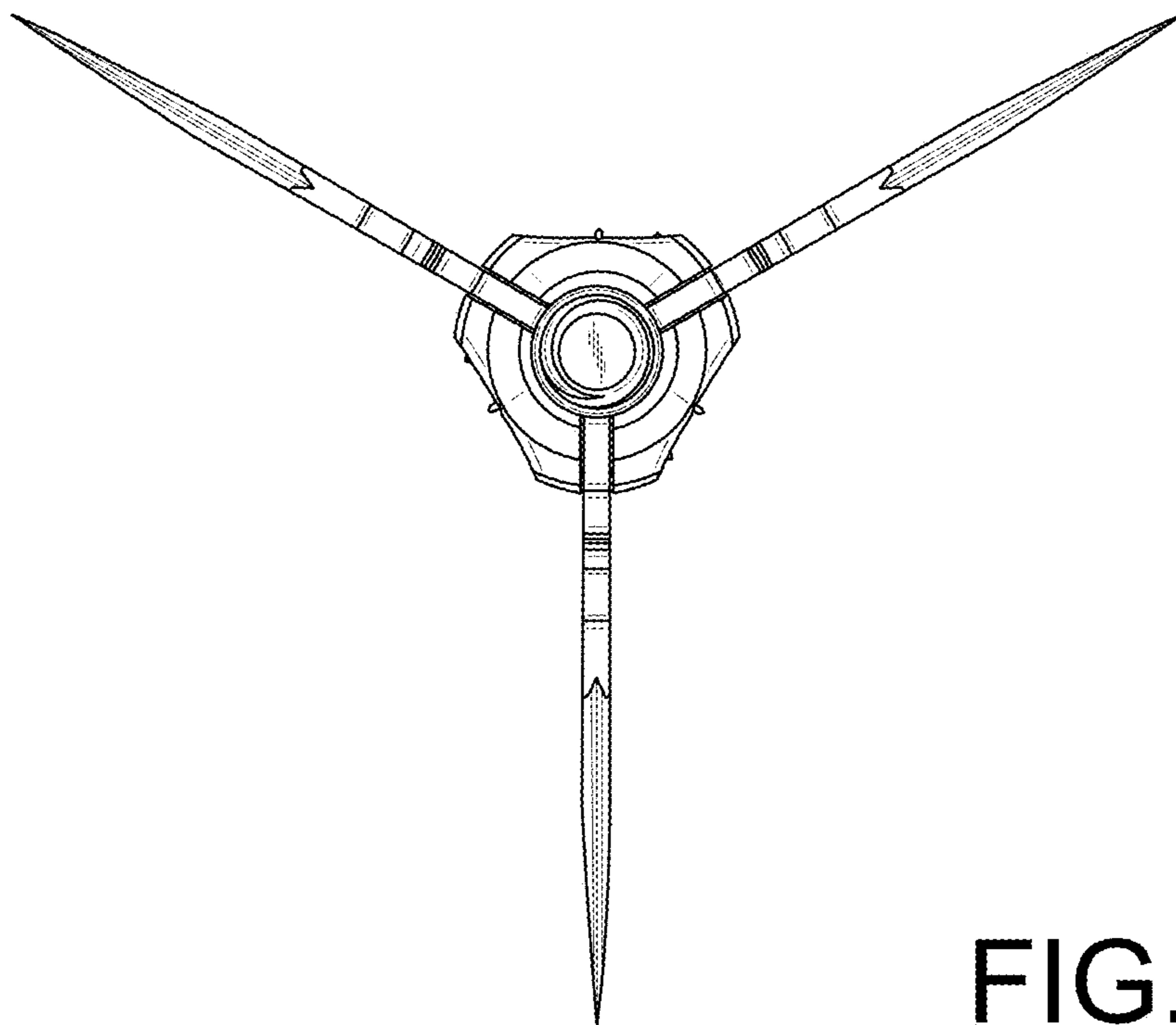


FIG. 5

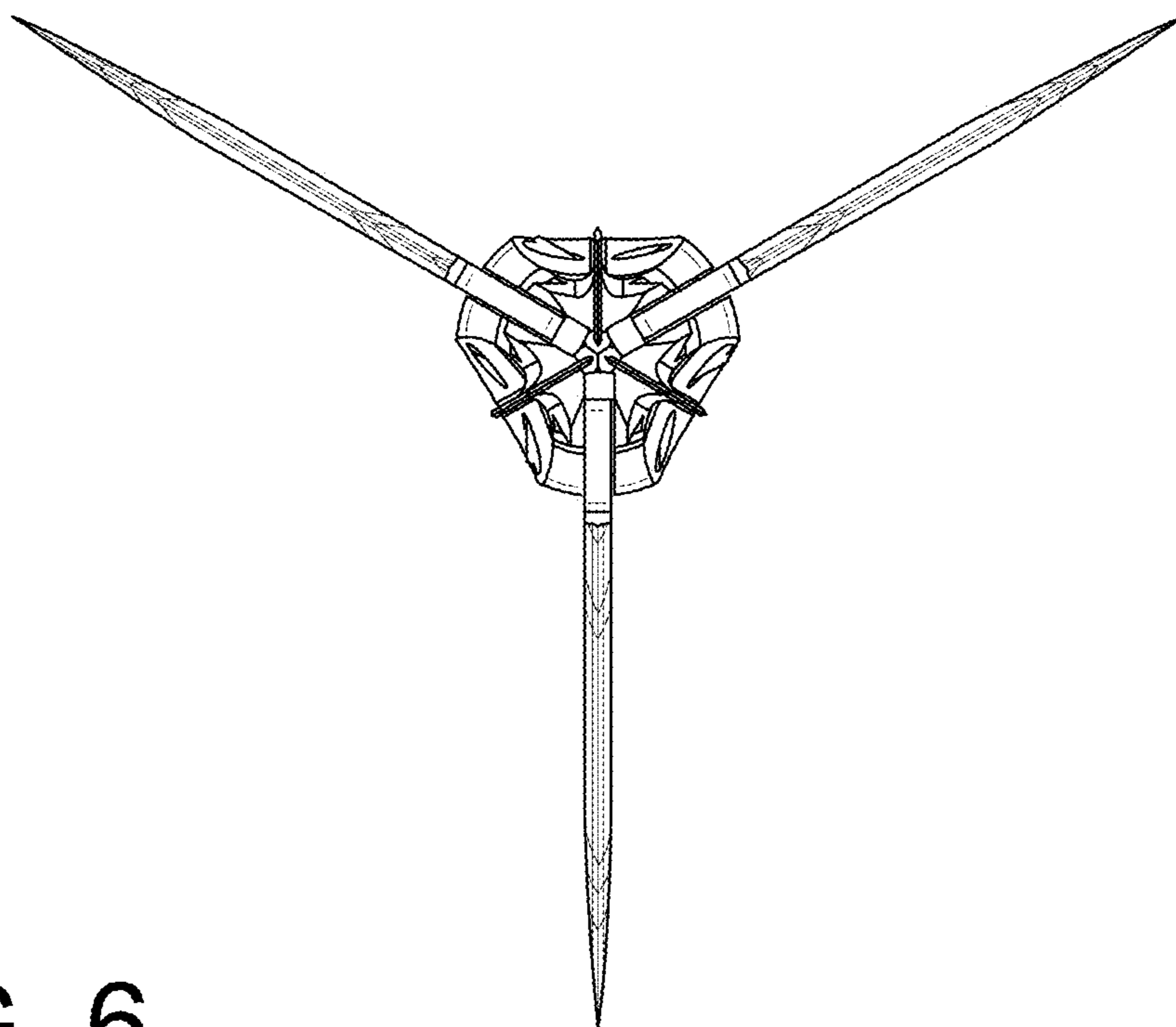


FIG. 6

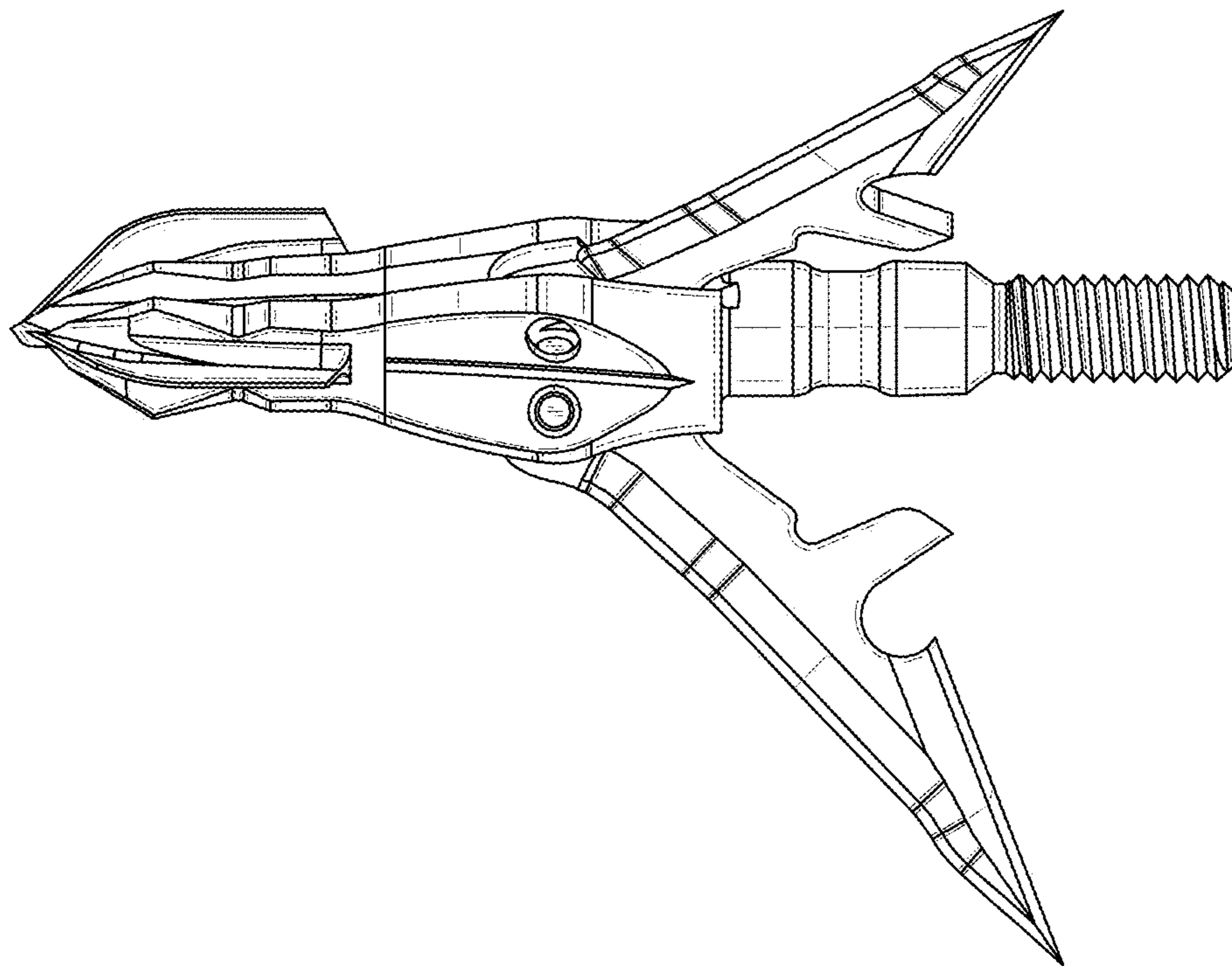


FIG. 7

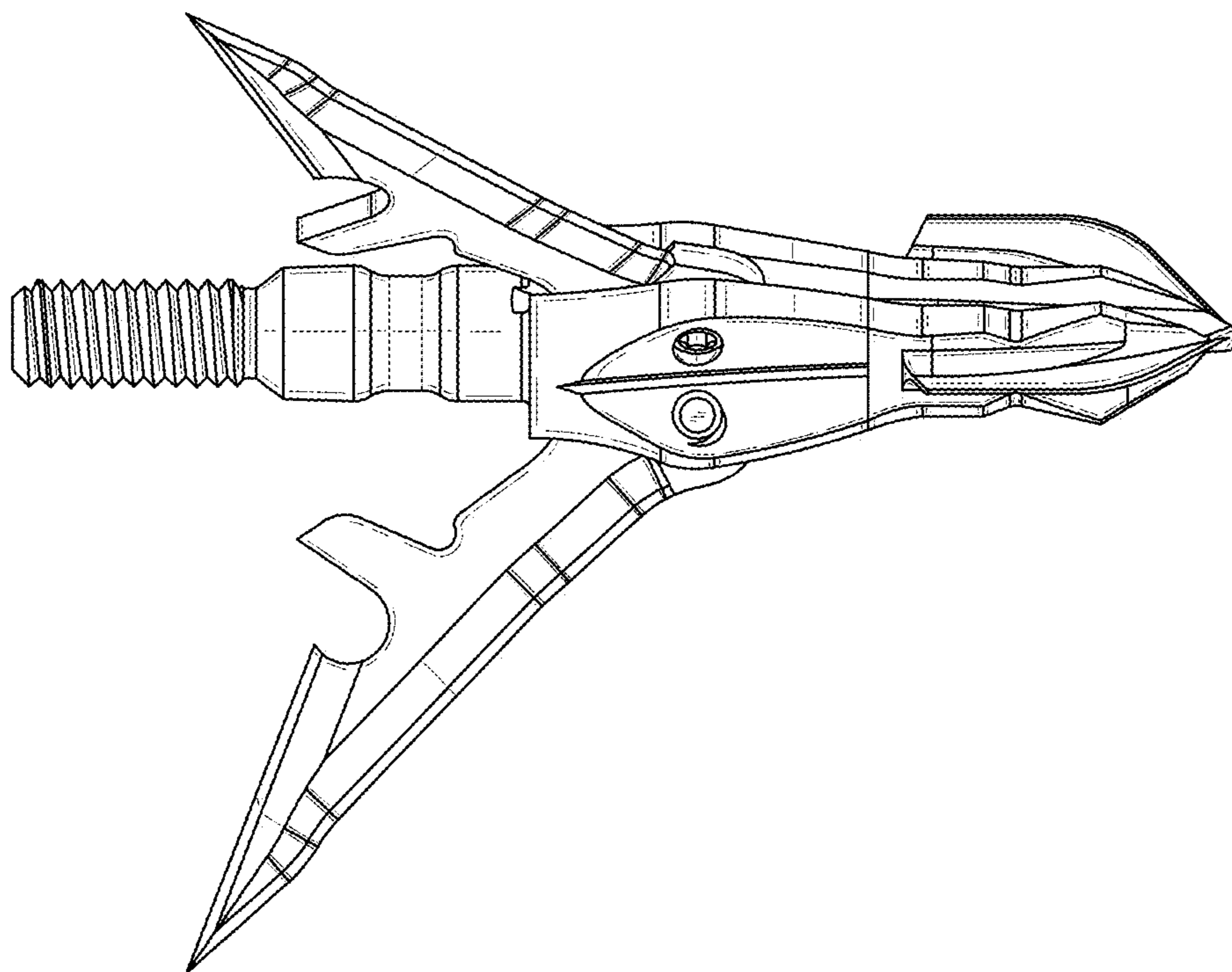


FIG. 8

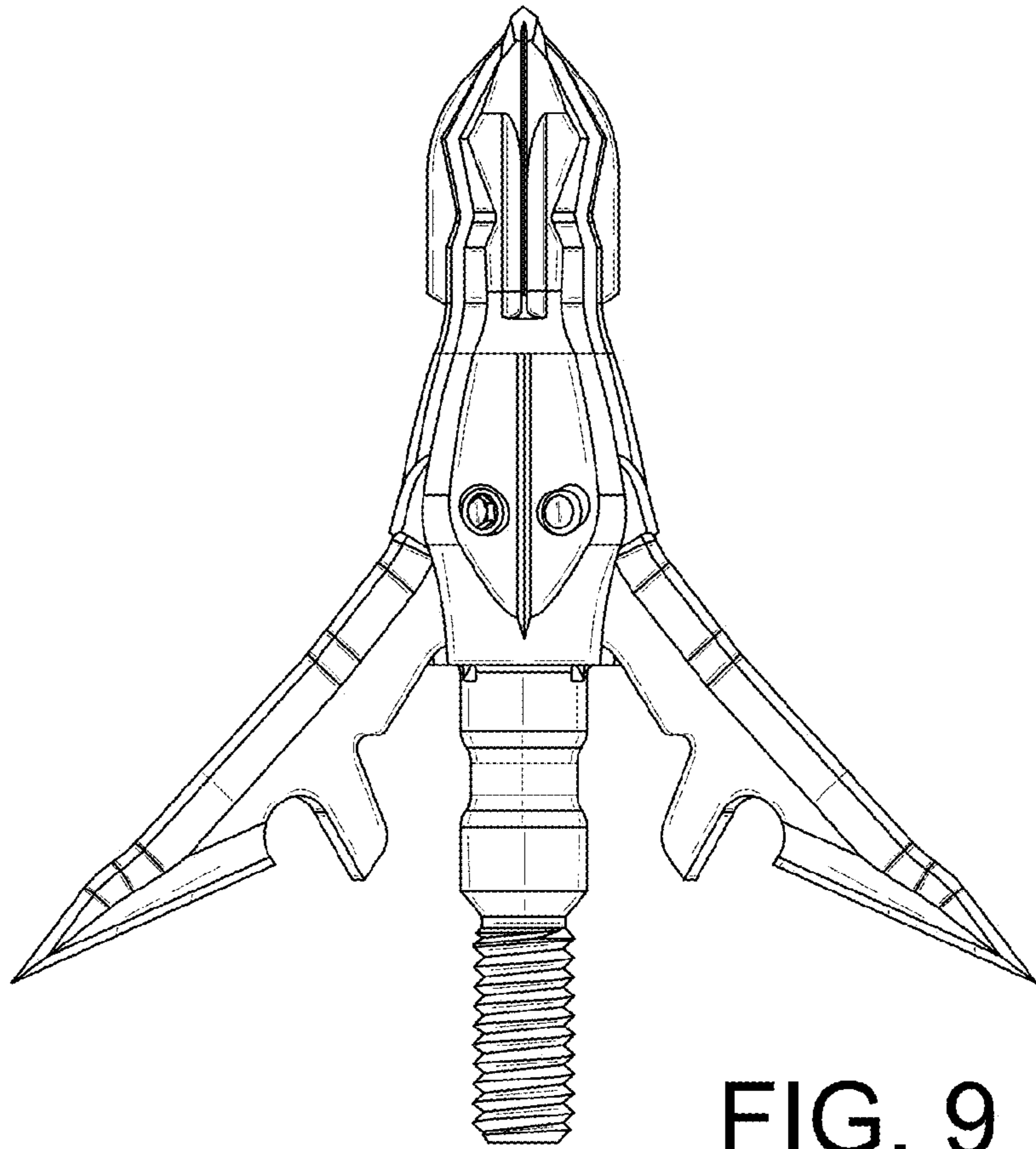


FIG. 9

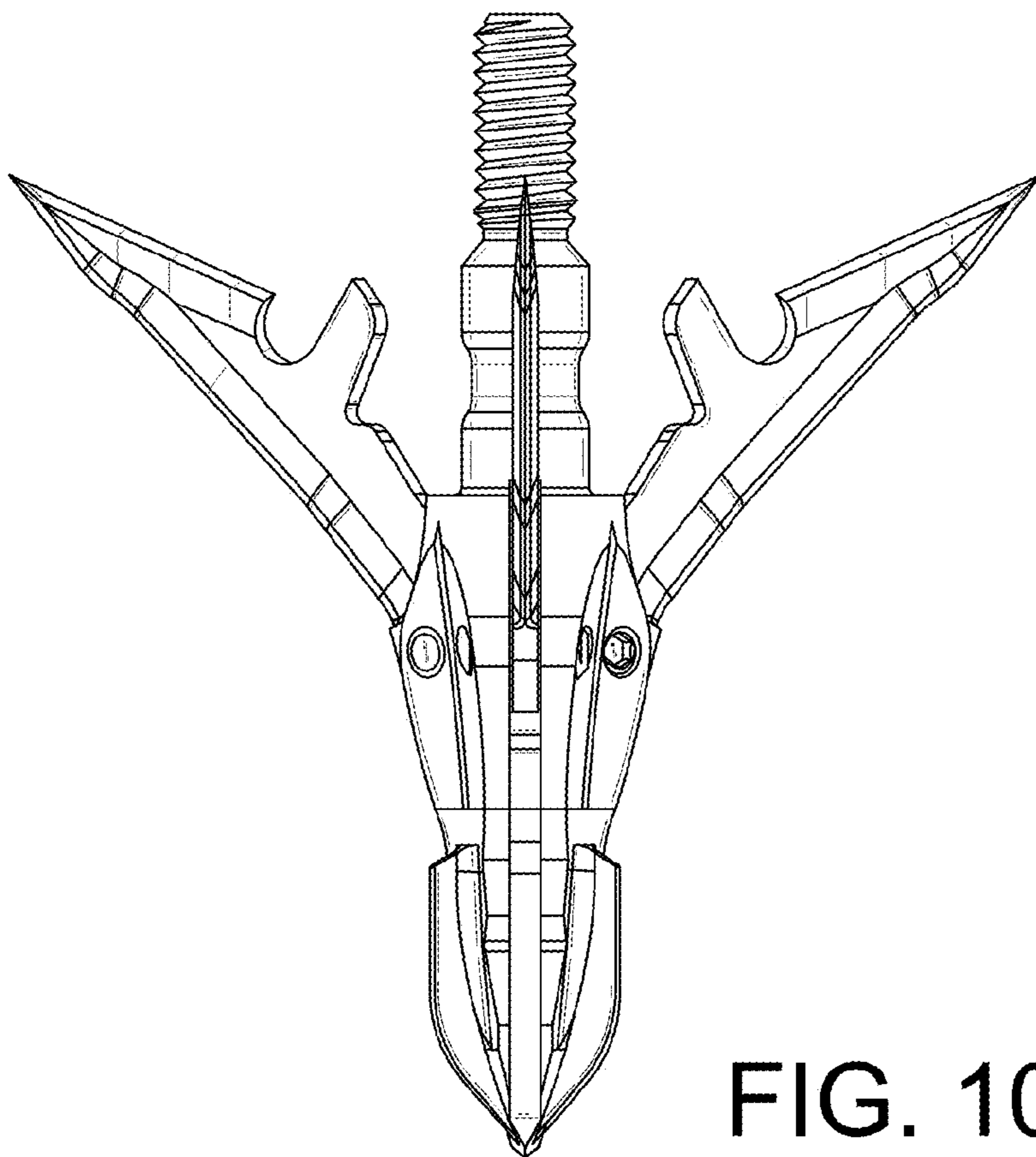


FIG. 10

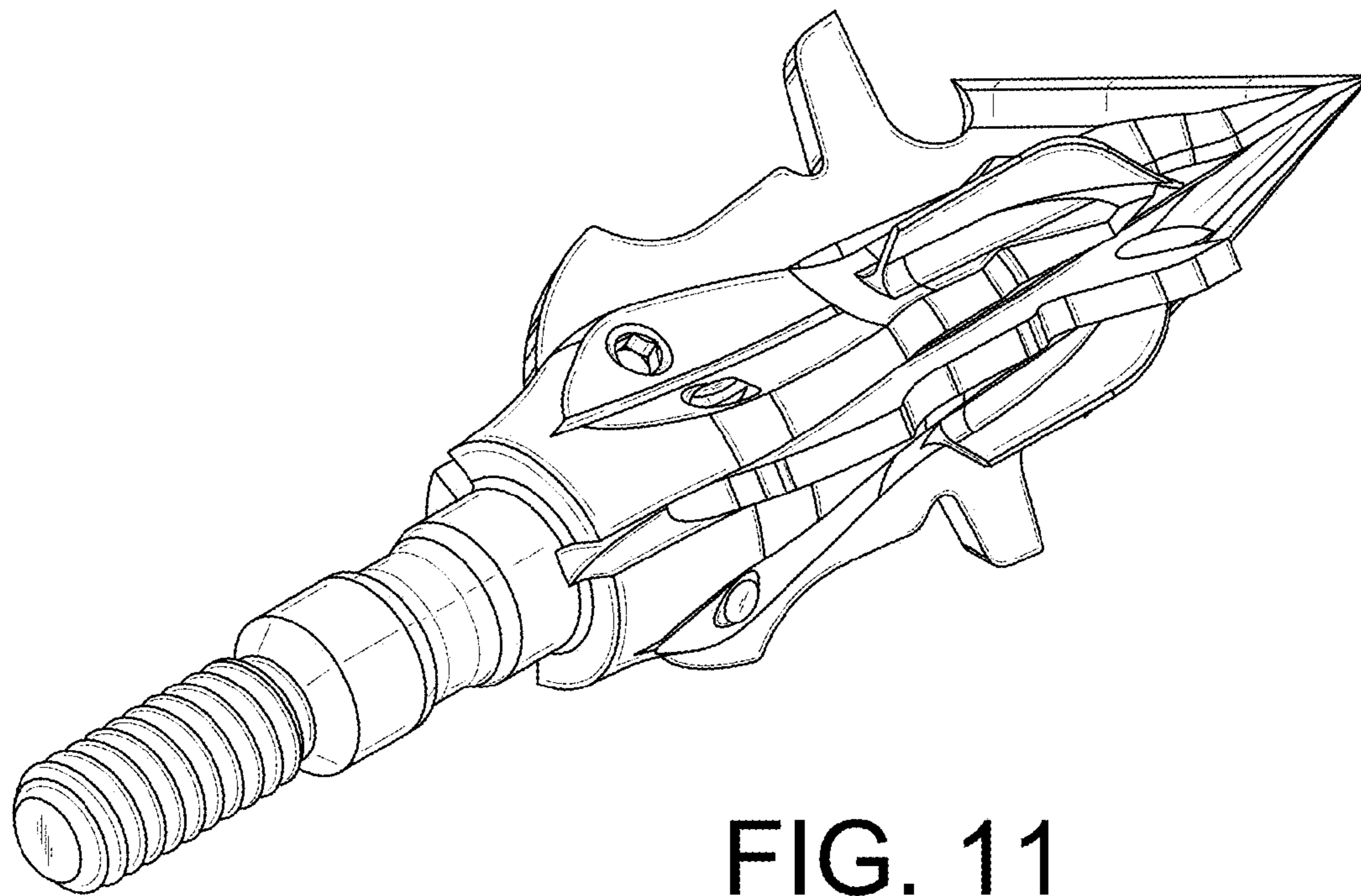


FIG. 11

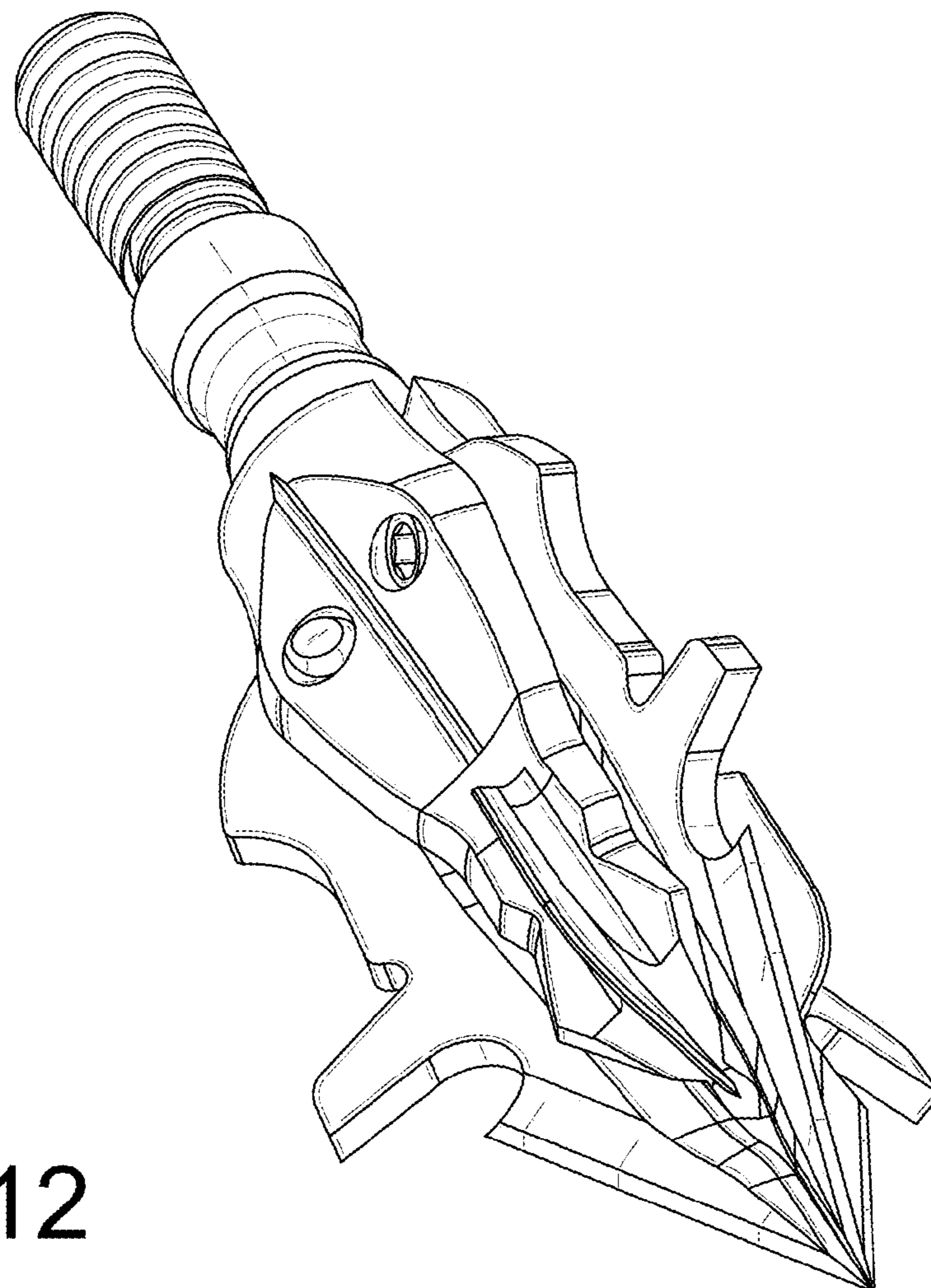


FIG. 12

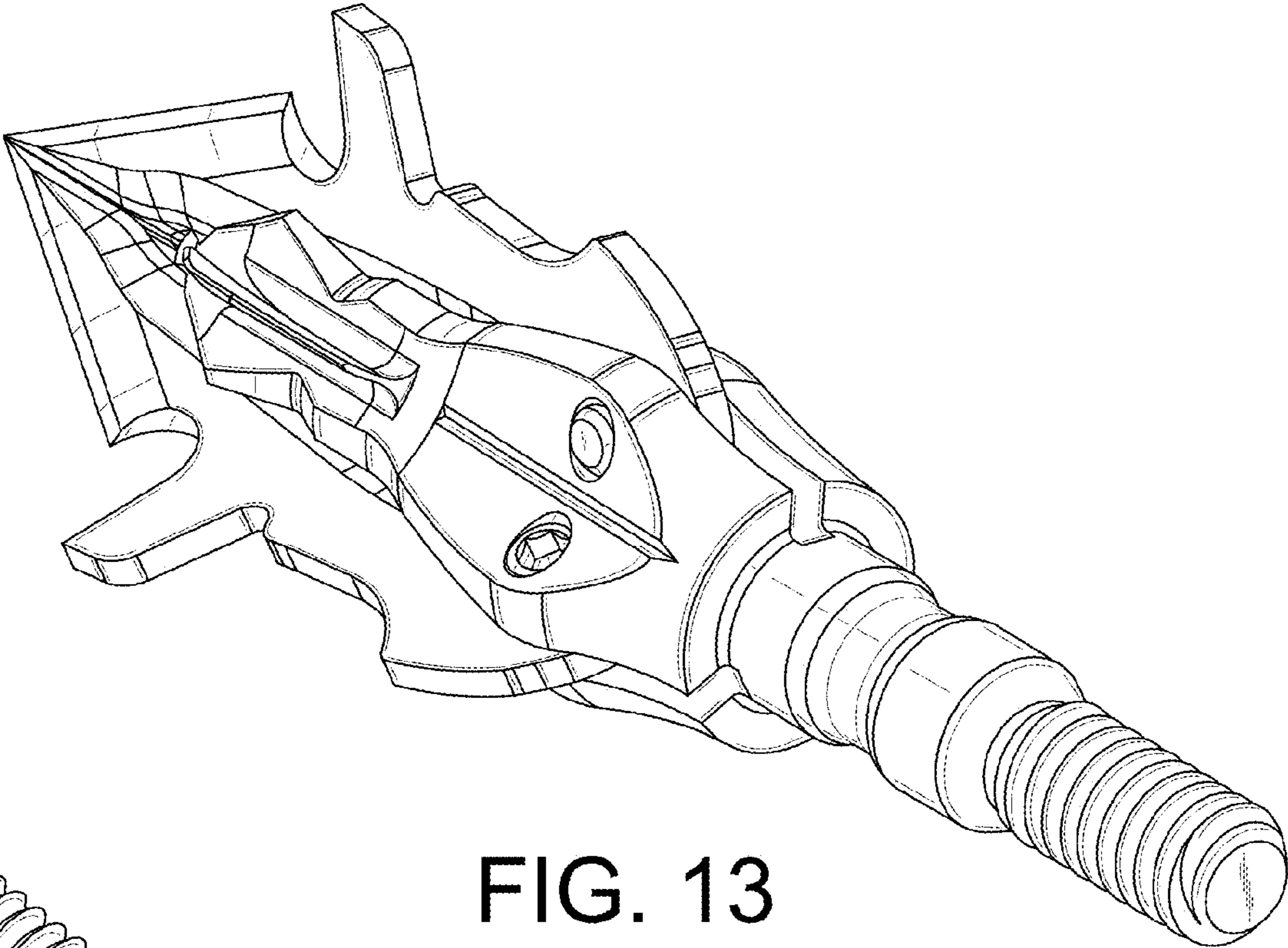


FIG. 13

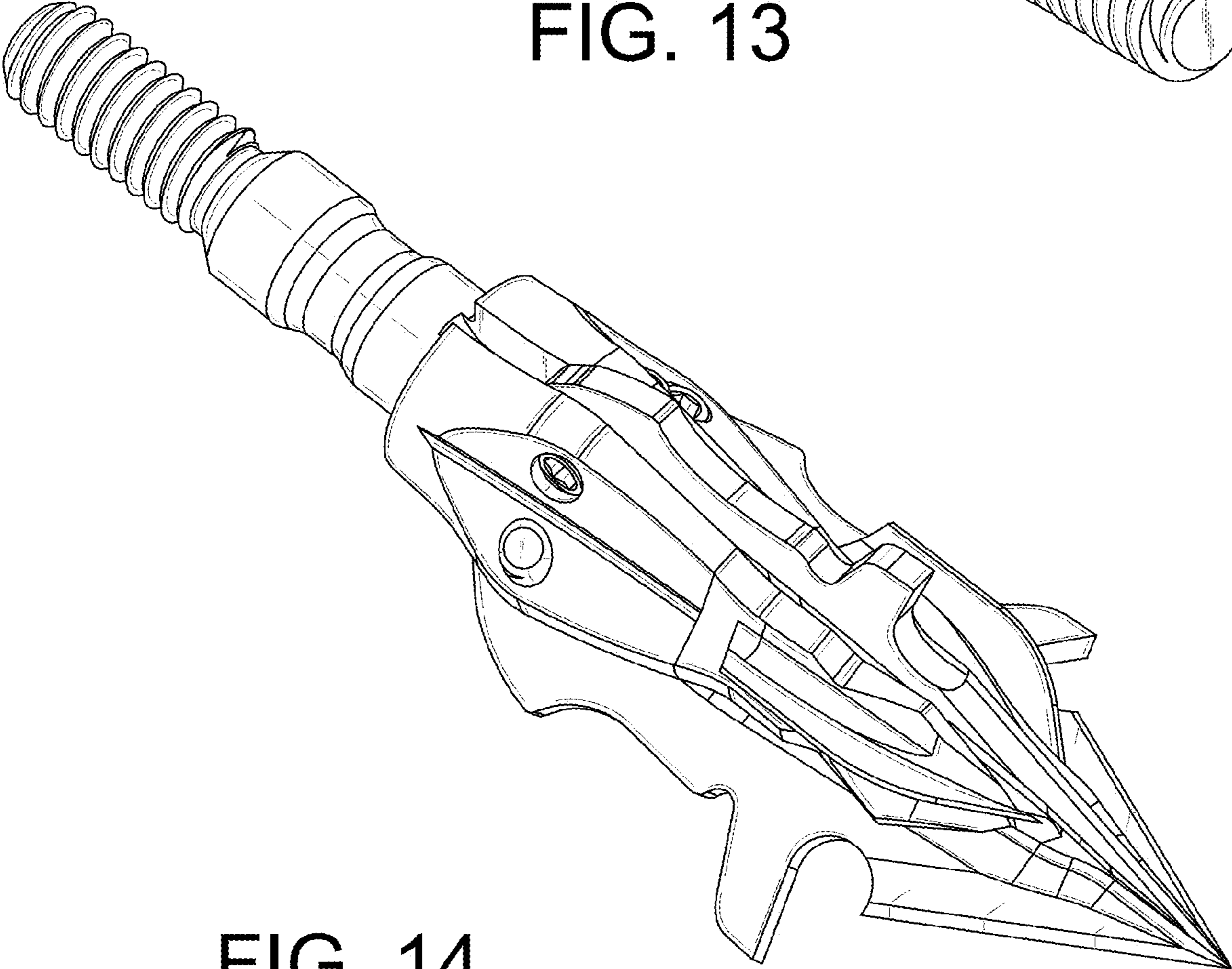


FIG. 14

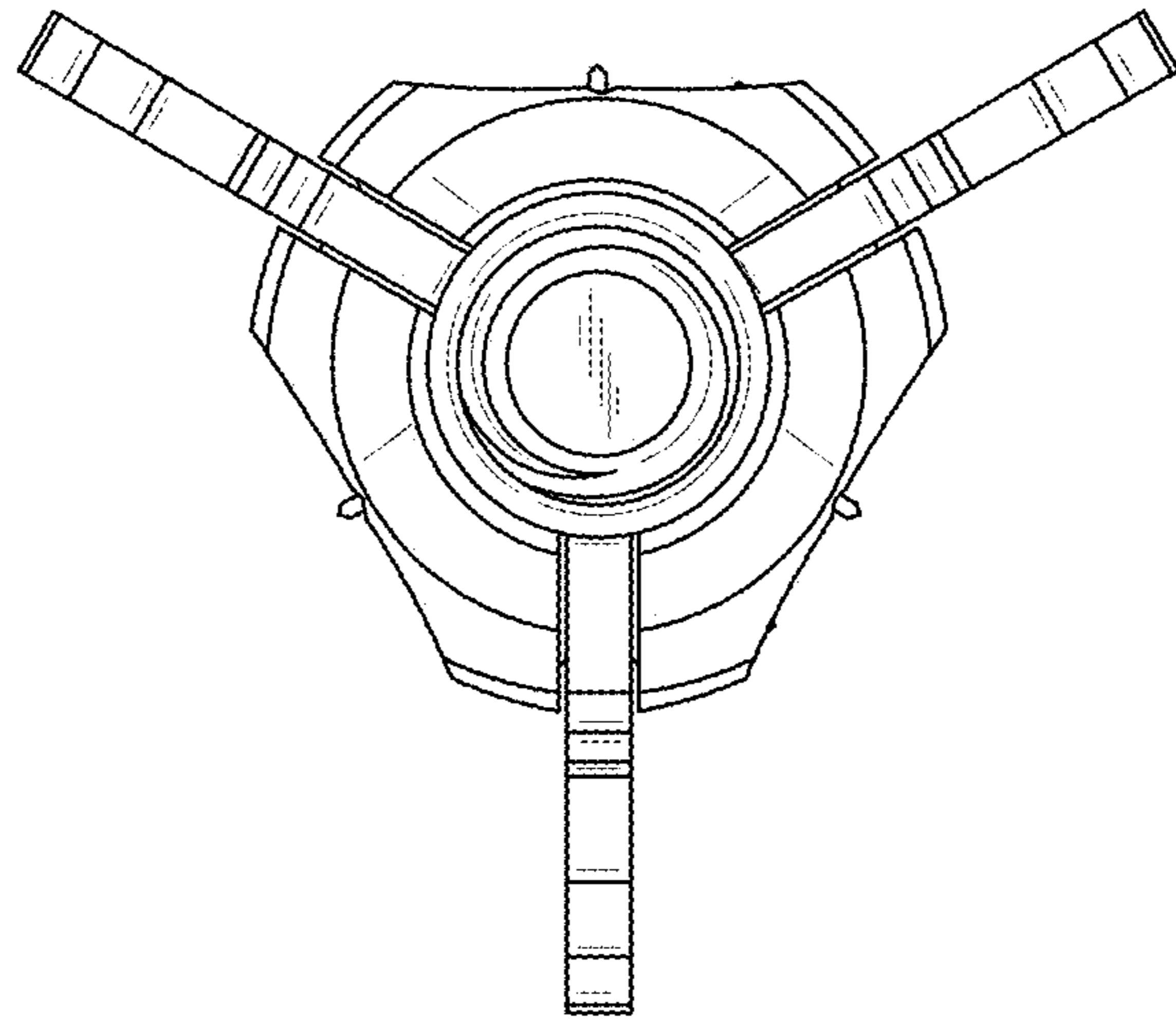


FIG. 15

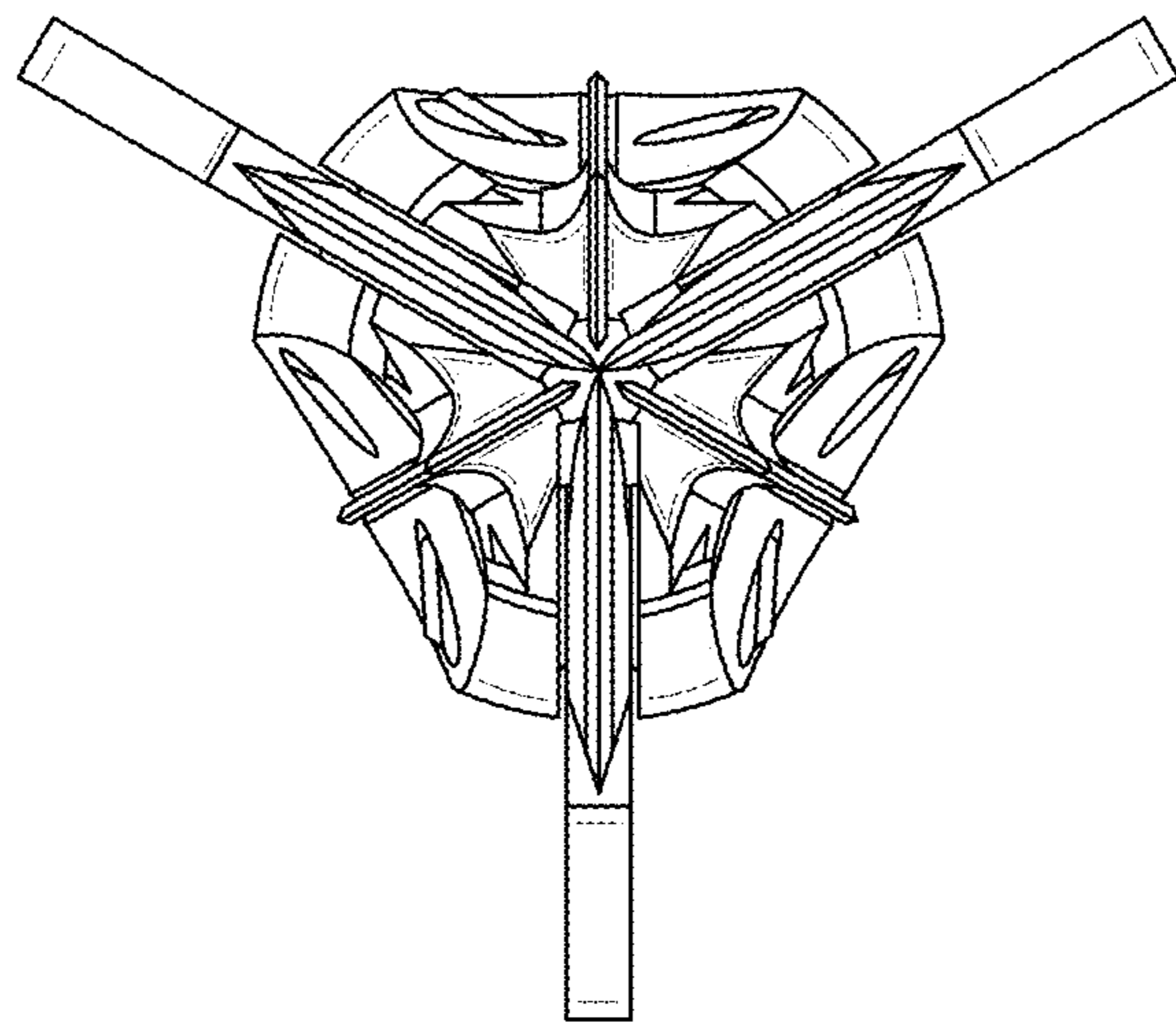


FIG. 16

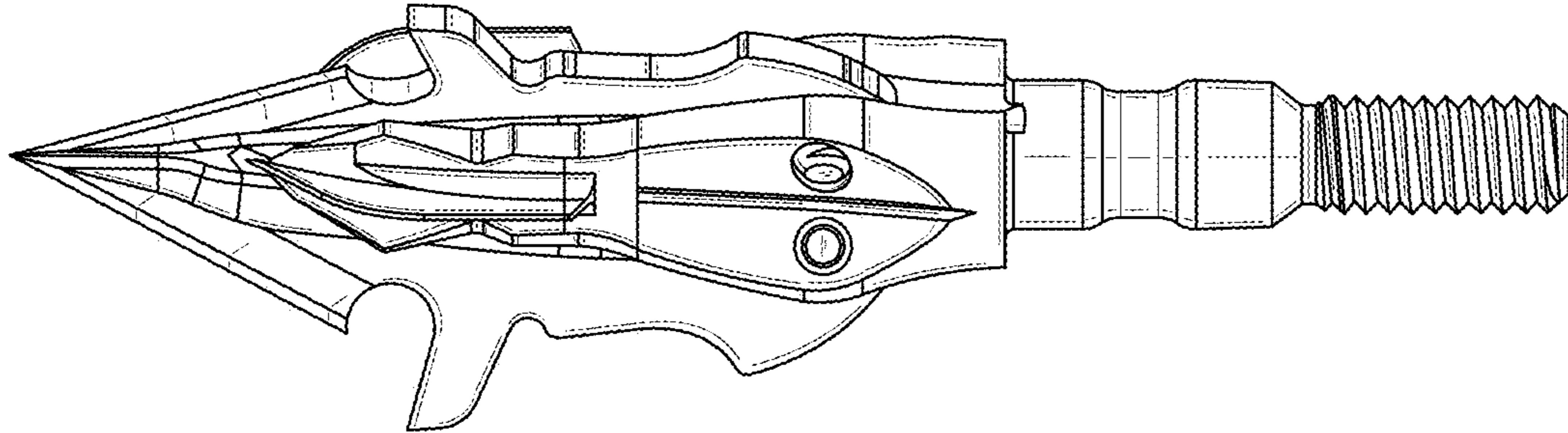


FIG. 17

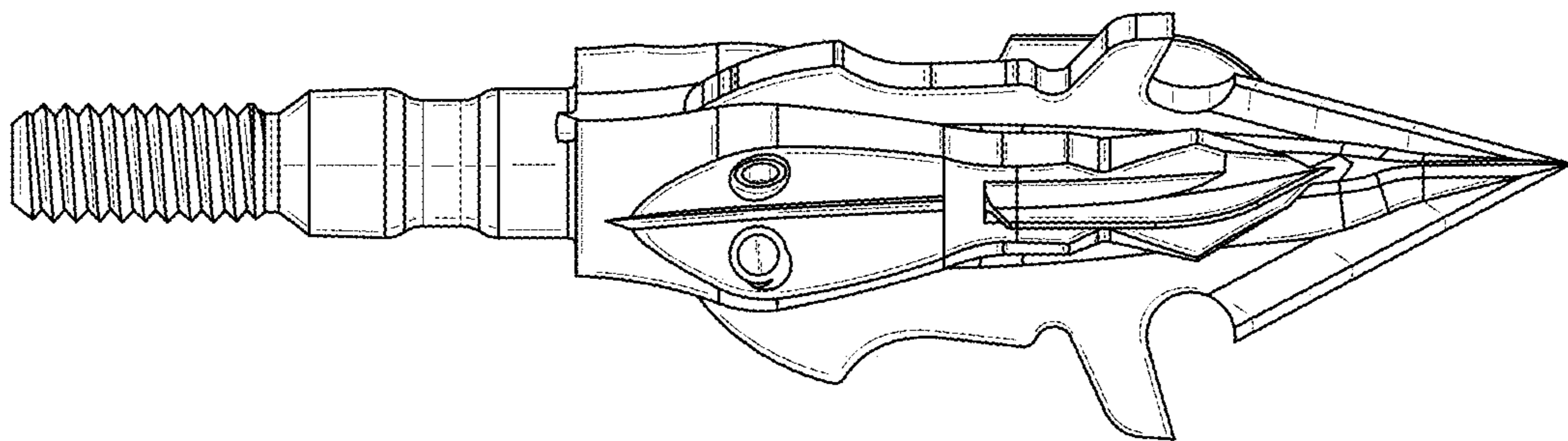


FIG. 18

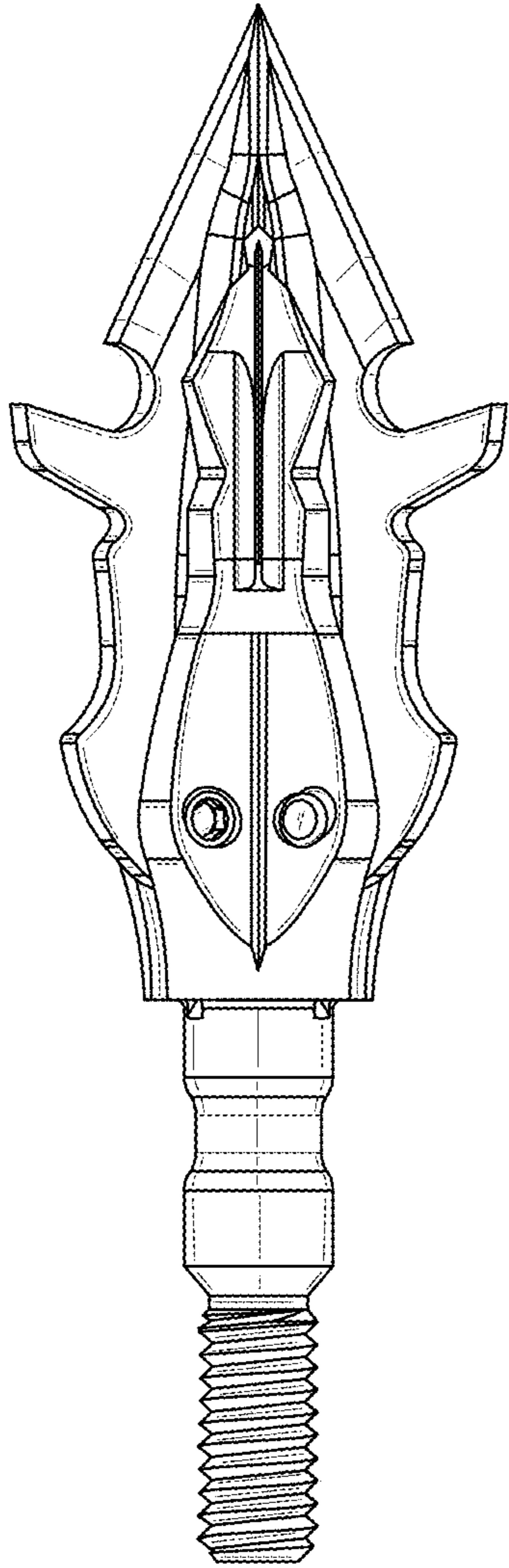


FIG. 19

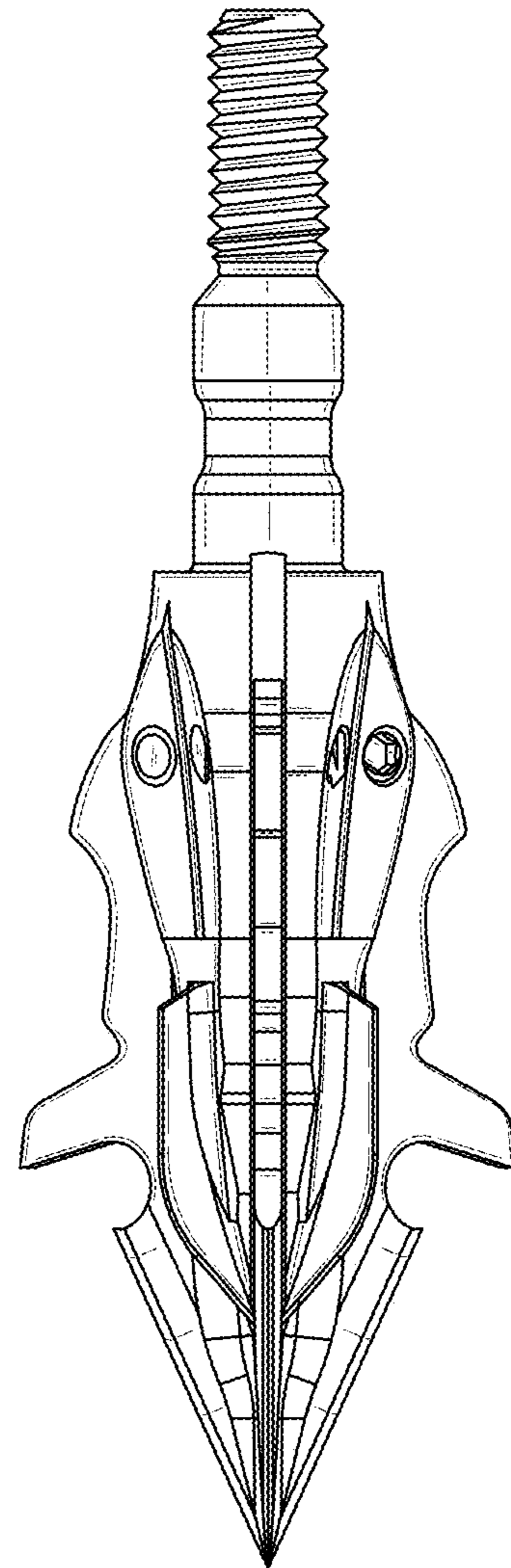


FIG. 20

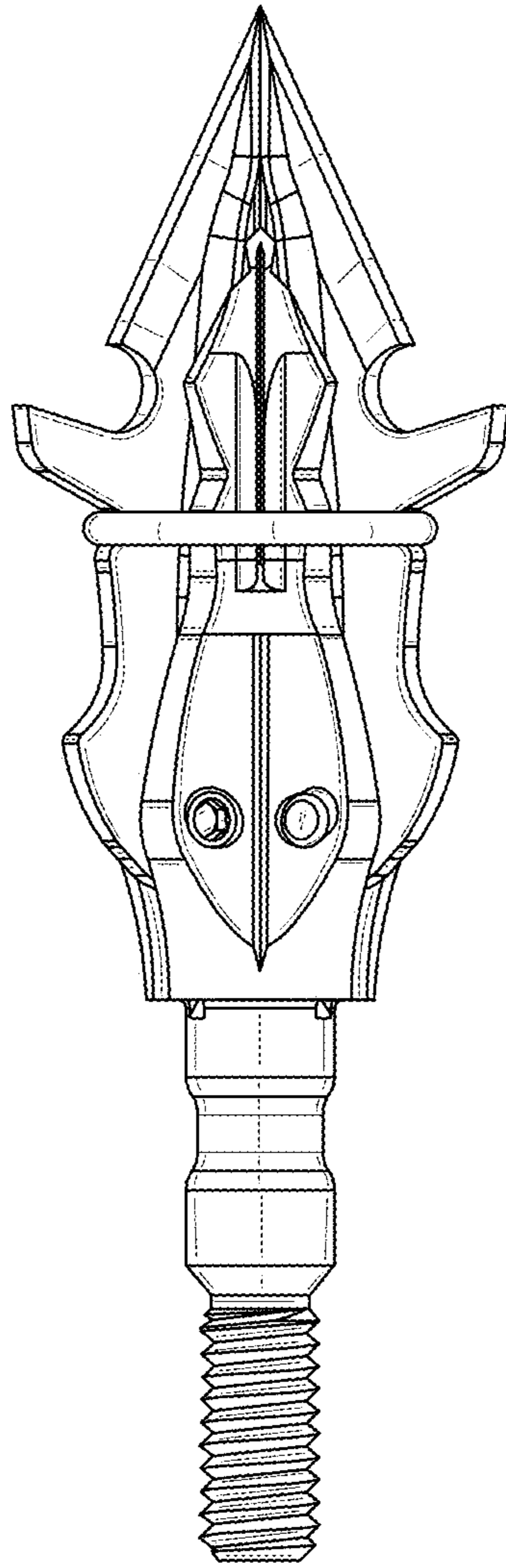


FIG. 21