



US00D930102S

(12) **United States Design Patent**
Huang

(10) **Patent No.:** **US D930,102 S**

(45) **Date of Patent:** **** Sep. 7, 2021**

(54) **POOL FLOAT**

(71) Applicant: **YIWU JIDI TRADING CO., LTD.**,
Yiwu (CN)

(72) Inventor: **Xiaoting Huang**, Yiwu (CN)

(73) Assignee: **YIWU JIDI TRADING CO., LTD.**,
Yiwu (CN)

(**) Term: **15 Years**

(21) Appl. No.: **29/778,828**

(22) Filed: **Apr. 15, 2021**

(51) **LOC (13) Cl.** **21-02**

(52) **U.S. Cl.**
USPC **D21/803**

(58) **Field of Classification Search**
USPC D21/433, 549, 550, 572, 801, 803, 808,
D21/809; D6/595, 596, 597, 598, 601
CPC B63B 32/20; B63B 32/22; B63B 32/51;
B63B 32/54; B63B 35/58; B63B 35/607;
B63B 35/613; B63B 35/62
See application file for complete search history.

(56) **References Cited**

U.S. PATENT DOCUMENTS

D328,110 S * 7/1992 Barker D21/550
D337,627 S * 7/1993 Moran D21/572

D377,814 S * 2/1997 Lieberman D21/549
D413,362 S * 8/1999 Linder D21/549
D416,954 S * 11/1999 Yu D21/572
D419,207 S * 1/2000 Lieberman D21/548
D679,770 S * 4/2013 Berenson D21/803
D719,233 S * 12/2014 Maria D21/803
D898,851 S 10/2020 Dong
D909,526 S 2/2021 Engler et al.

* cited by examiner

Primary Examiner — Zenia I Bennett

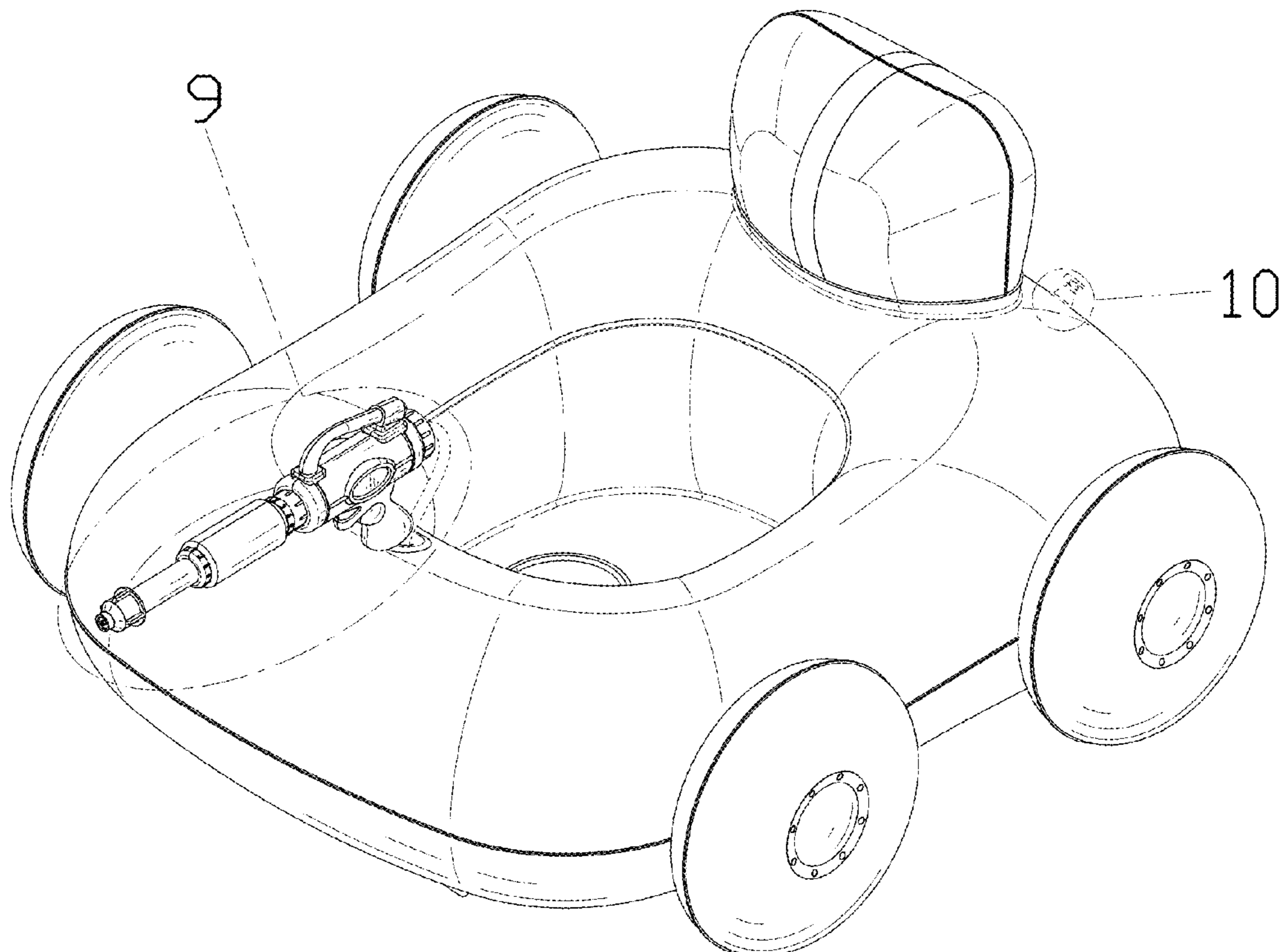
(57) **CLAIM**

The ornamental design for a pool float, as shown and described.

DESCRIPTION

FIG. 1 is a perspective view of a pool float showing my new design;
FIG. 2 is another perspective view thereof;
FIG. 3 is a front elevational view thereof;
FIG. 4 is a rear elevational view thereof;
FIG. 5 is a left side elevational view thereof;
FIG. 6 is a right side elevational view thereof;
FIG. 7 is a top plan view thereof;
FIG. 8 is a bottom plan view thereof;
FIG. 9 is an enlarged view of portion 9 shown in FIG. 1; and,
FIG. 10 is an enlarged view of portion 10 shown in FIG. 1.
The broken lines in the drawings depicting the air valve and water gun hose are shown for illustrative purposes and form no part of the claimed design.

1 Claim, 10 Drawing Sheets



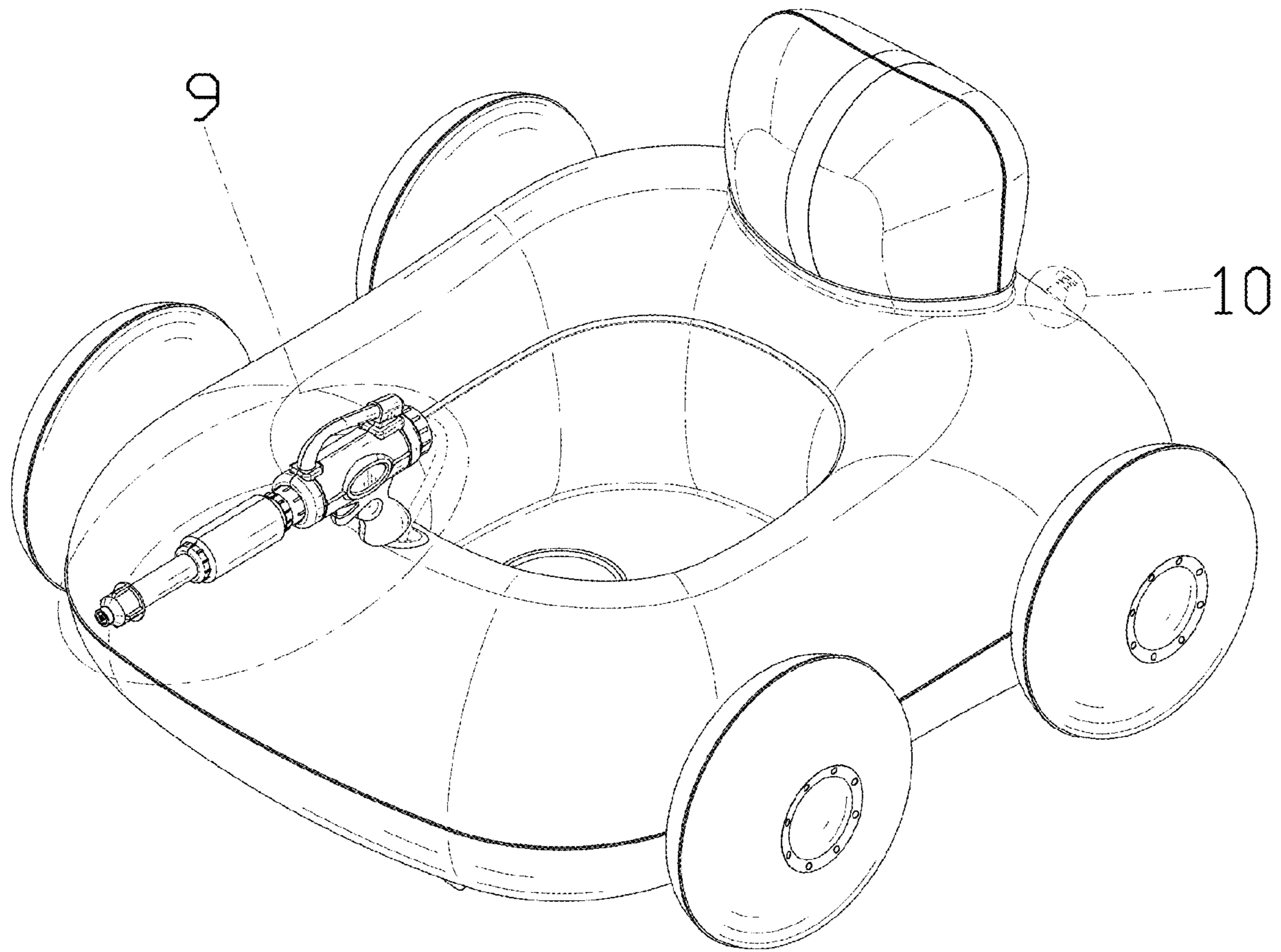


FIG. 1

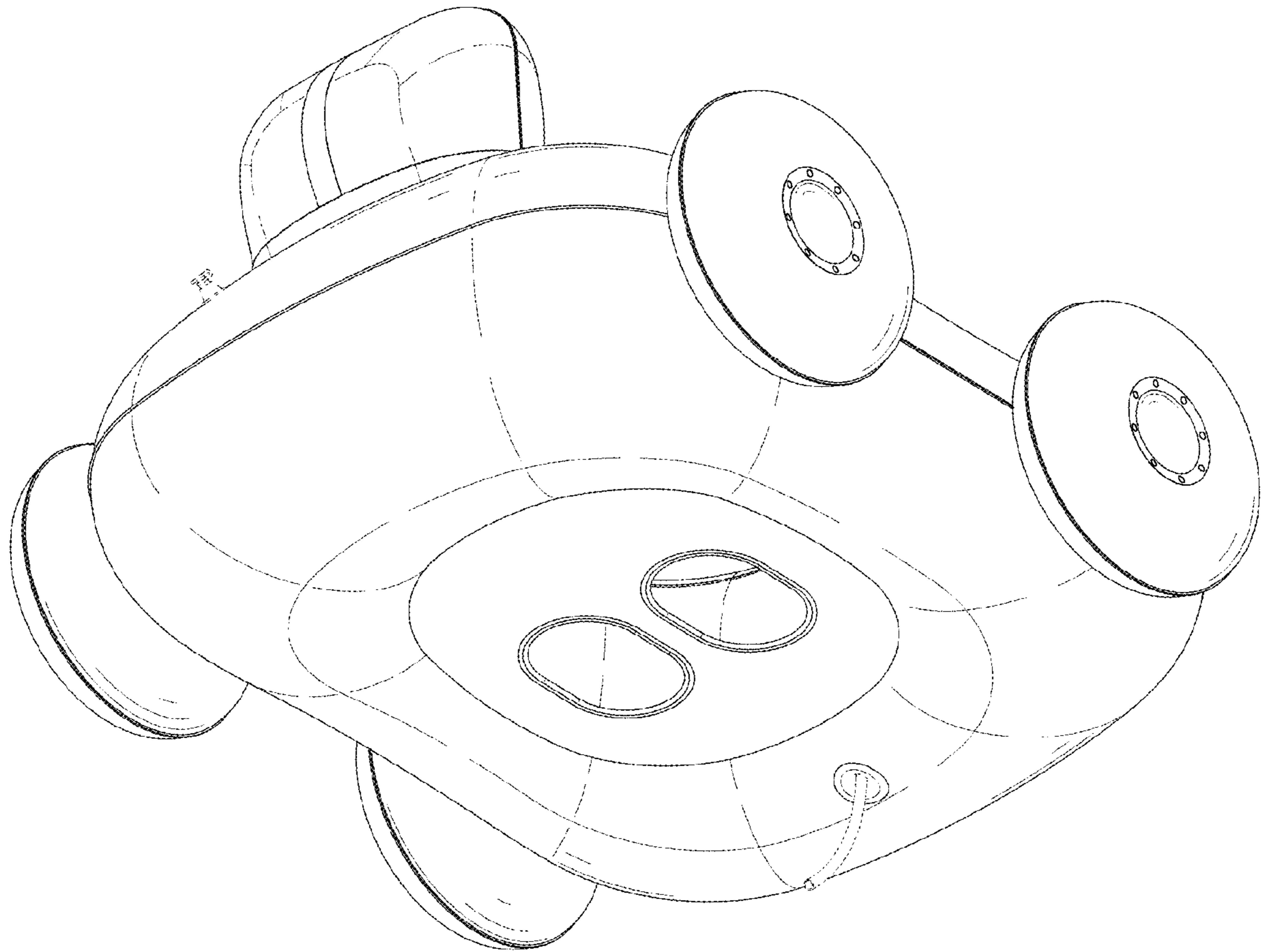


FIG. 2

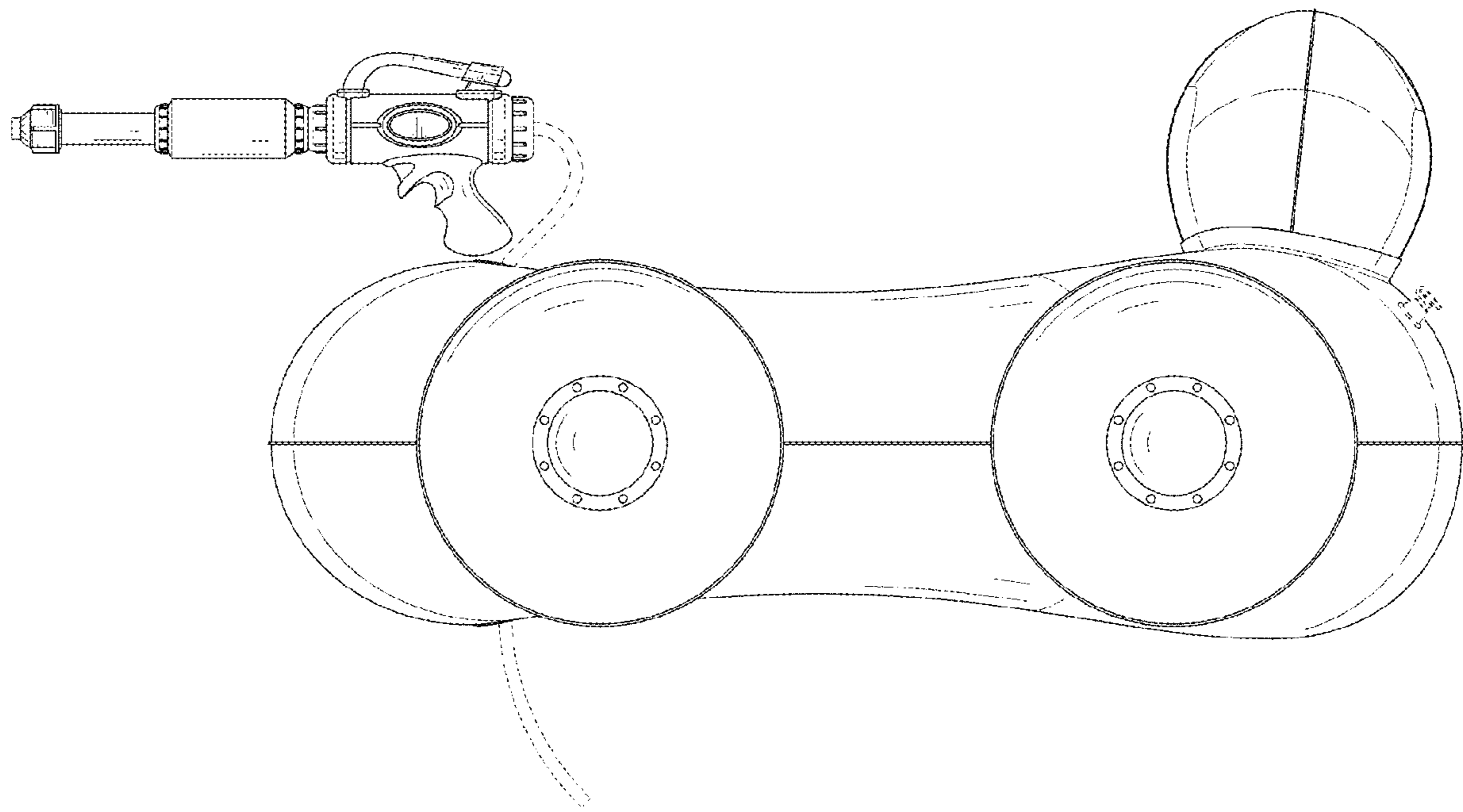


FIG. 3

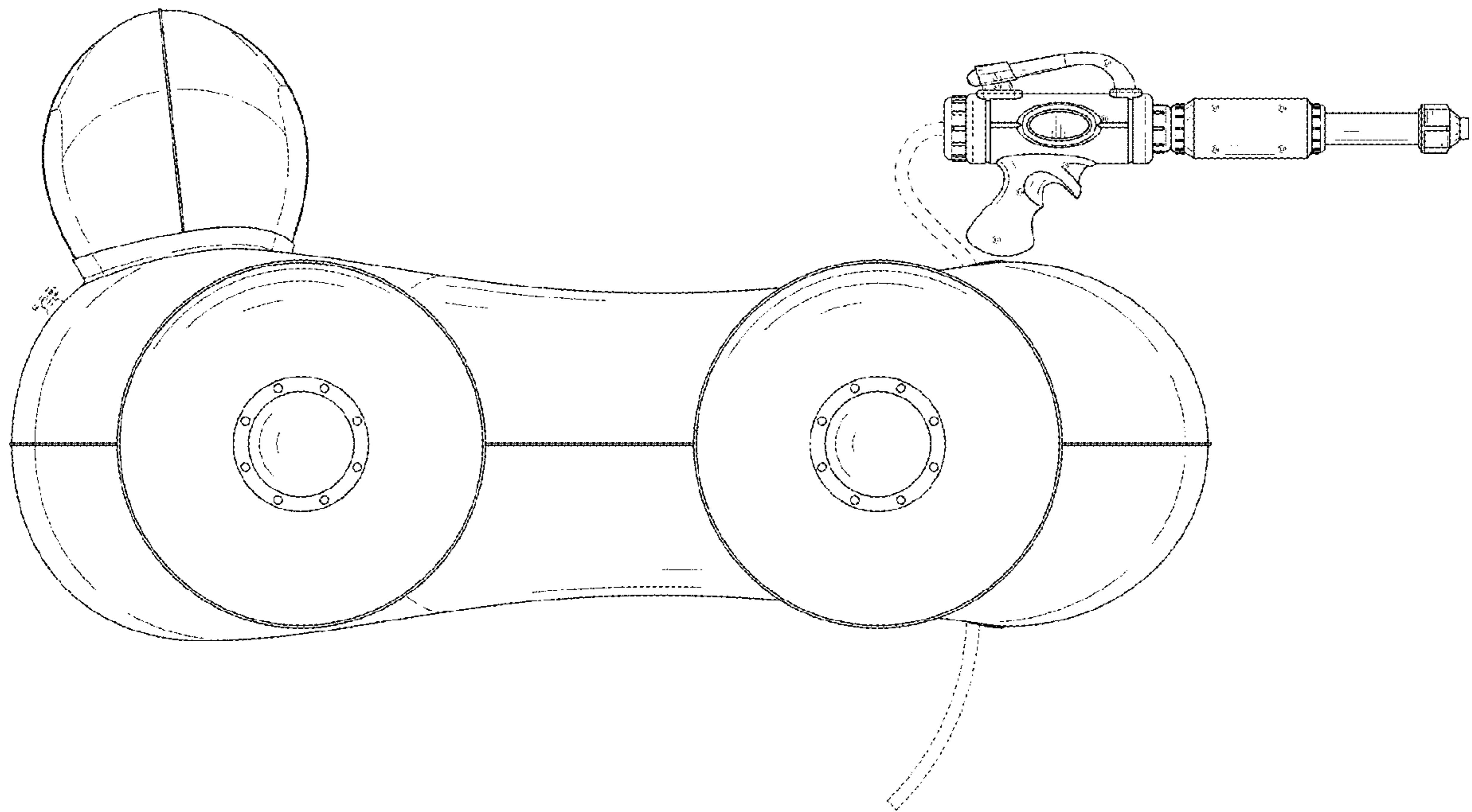


FIG. 4

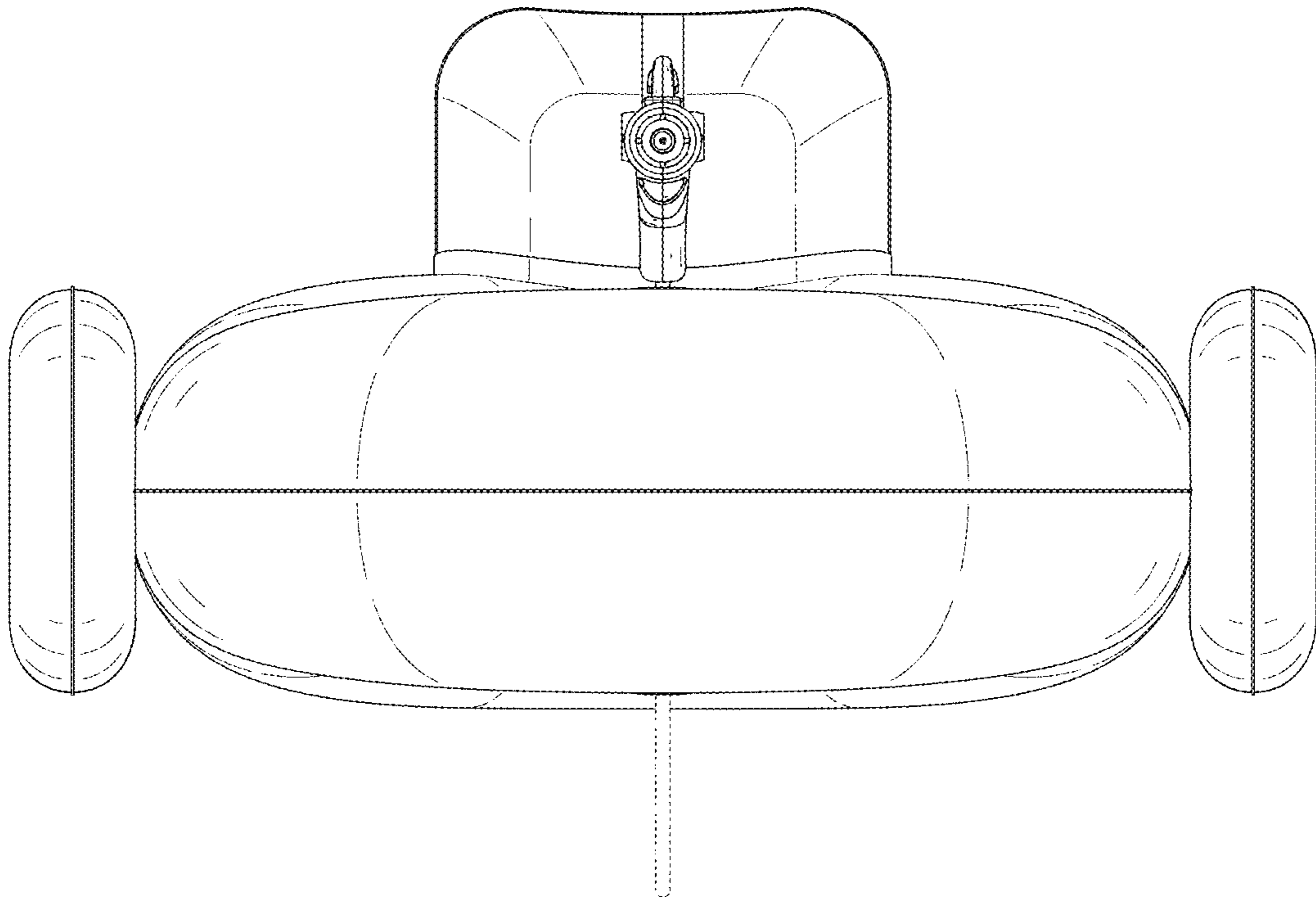


FIG. 5

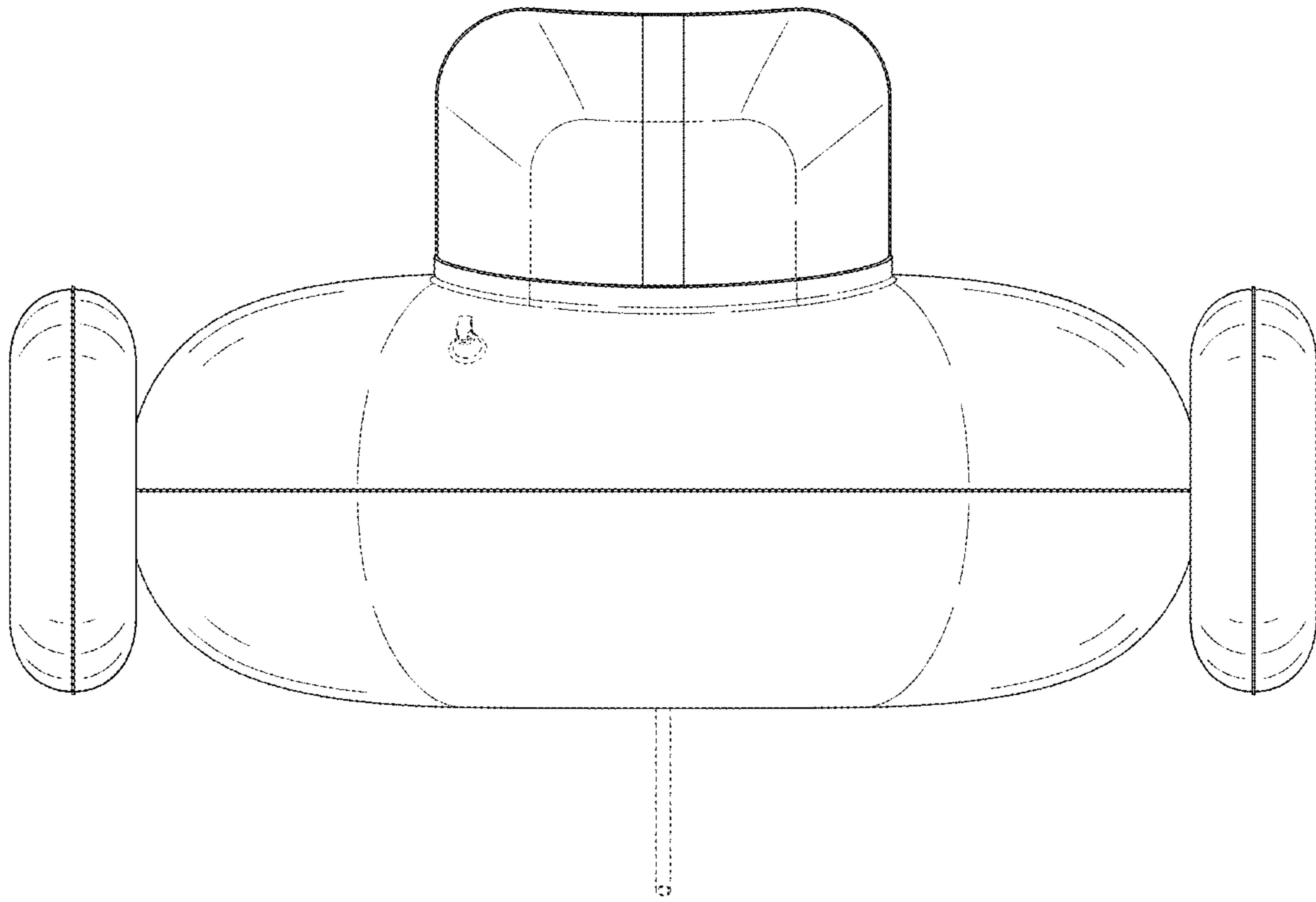


FIG. 6

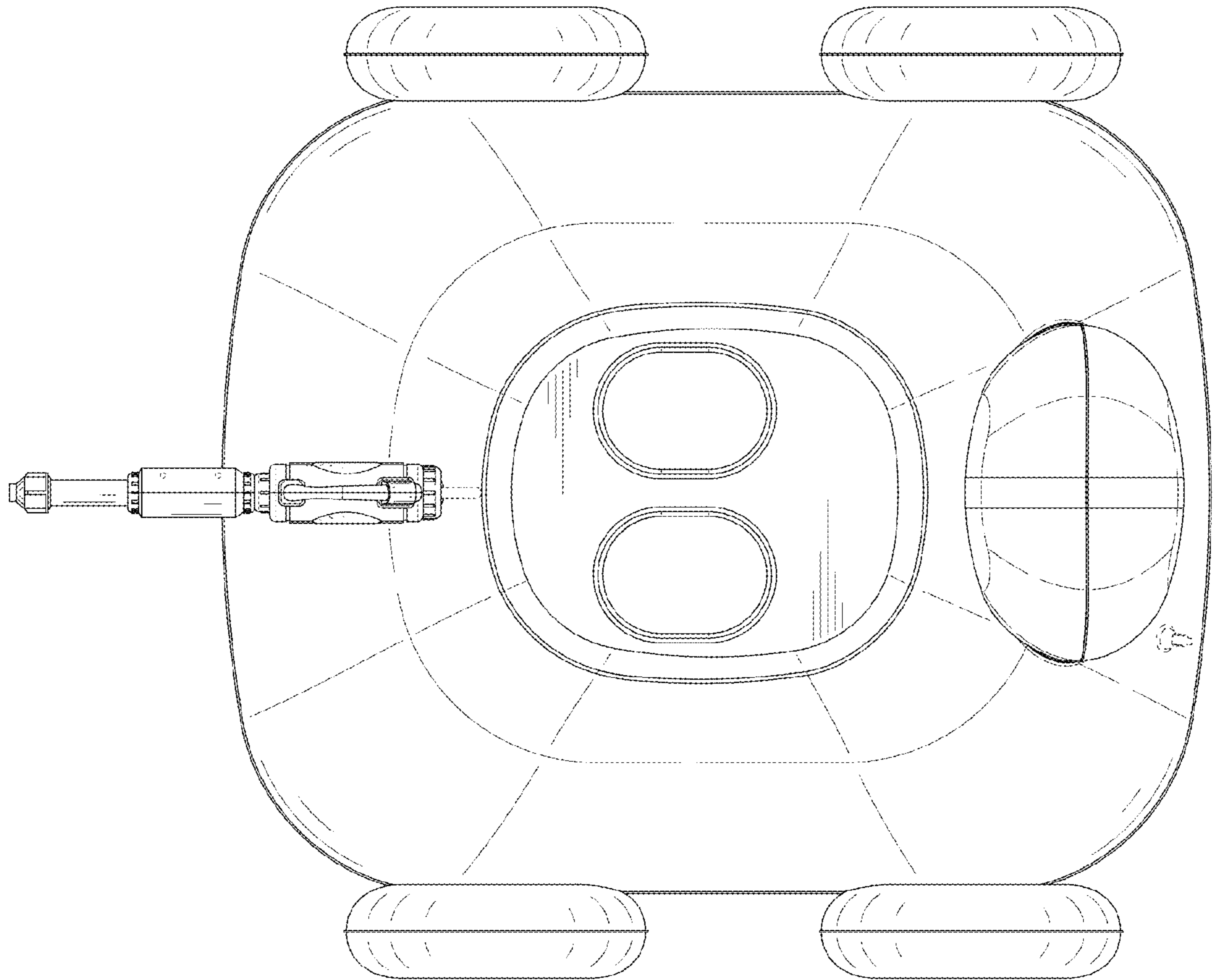


FIG. 7

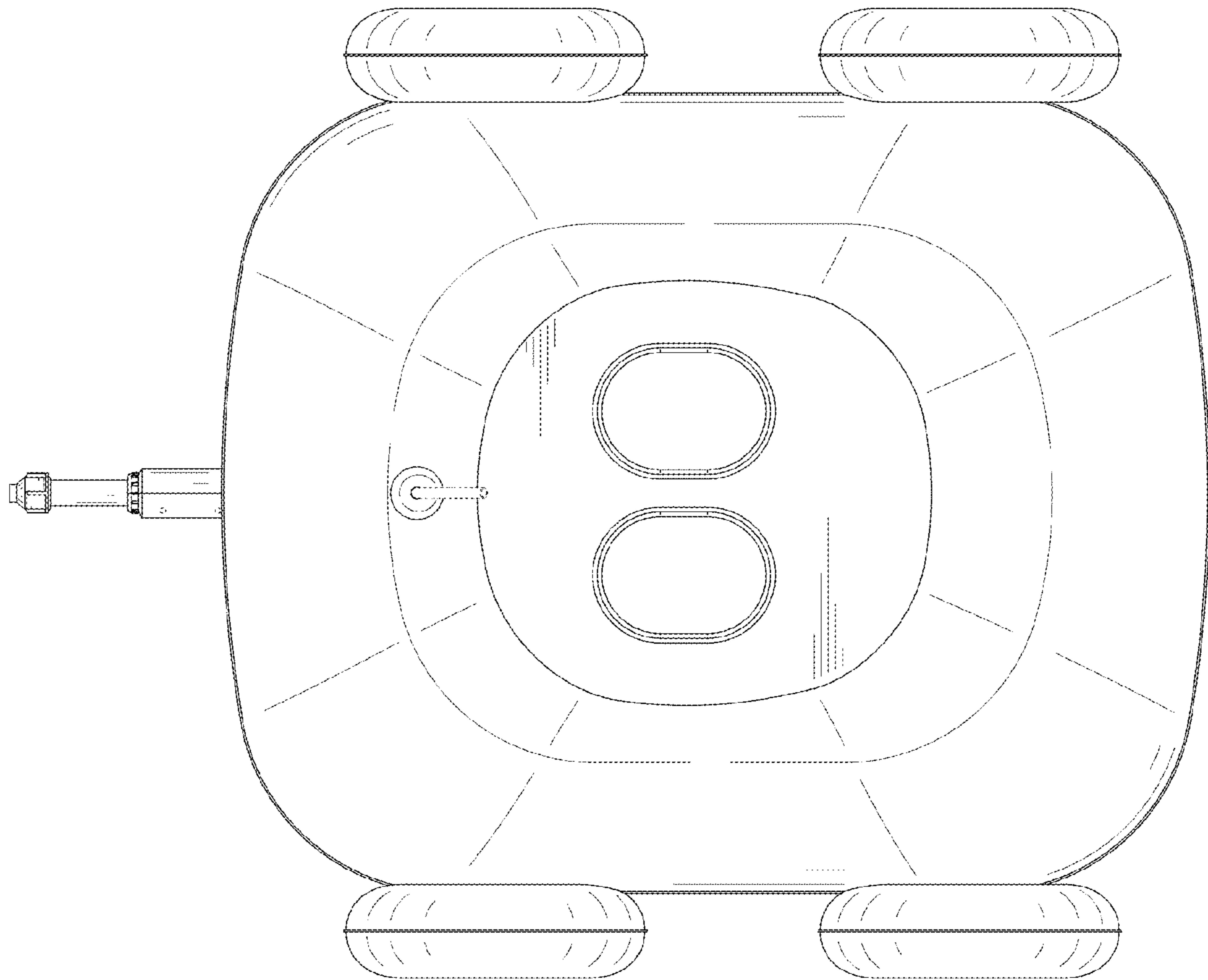


FIG. 8

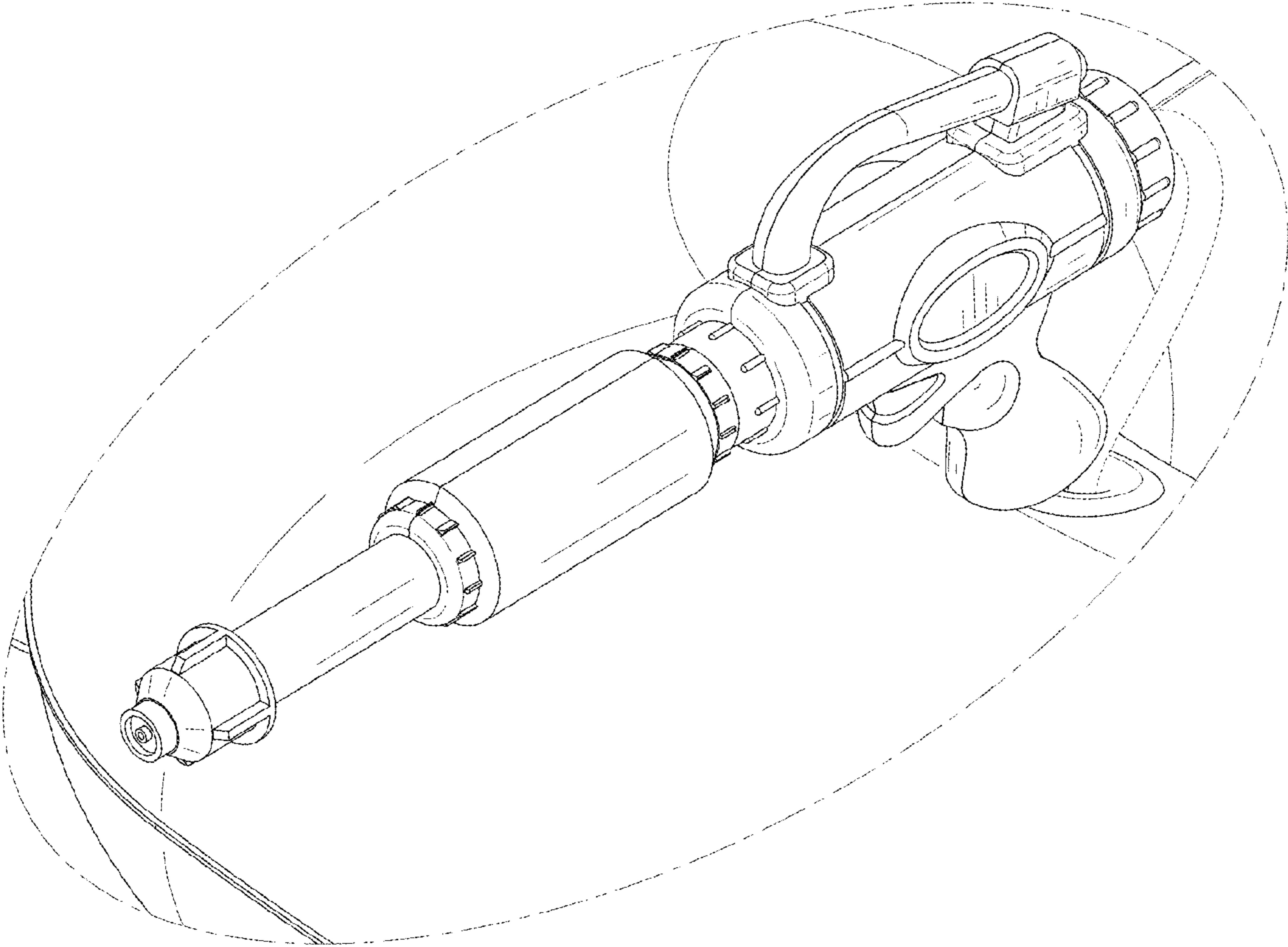


FIG. 9

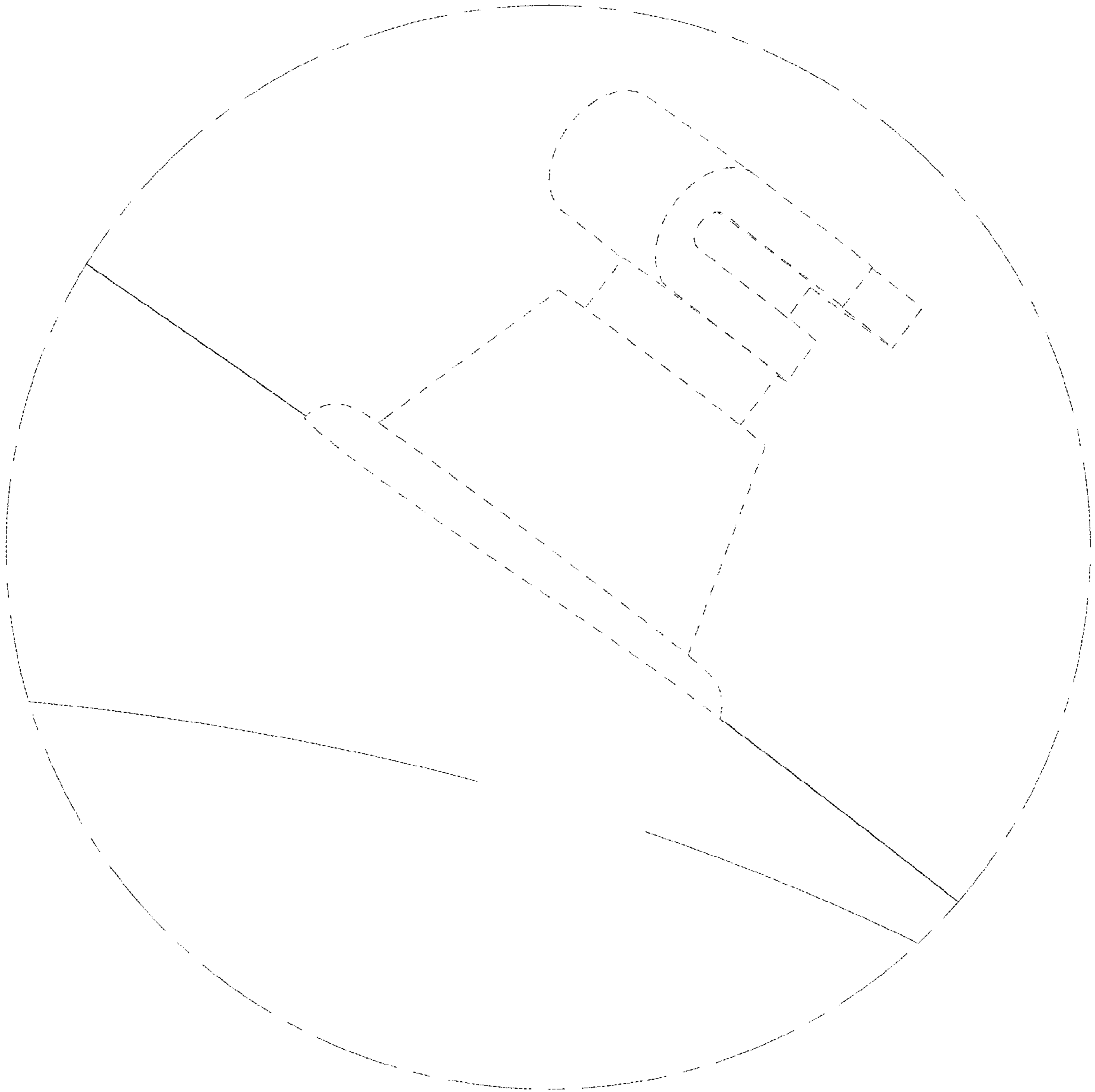


FIG. 10