



US00D930101S

(12) **United States Design Patent**  
**Woodhouse et al.**

(10) **Patent No.:** **US D930,101 S**  
(45) **Date of Patent:** **\*\* Sep. 7, 2021**

(54) **PUTTING TRAINING AID**  
(71) Applicant: **Imagine Sourcing Co.**, San Diego, CA  
(US)  
(72) Inventors: **Richard Woodhouse**, Hope Island  
(AU); **Grant Field**, Pelican Waters  
(AU)  
(73) Assignee: **Imagine Sourcing**, San Diego, CA  
(US)  
(\*\*) Term: **15 Years**

5,362,057 A \* 11/1994 Arima ..... A63B 69/36211  
473/265  
5,443,265 A \* 8/1995 Wheeler ..... A63B 69/3676  
473/257  
D436,639 S \* 1/2001 Haliyo ..... D21/791  
6,840,870 B1 \* 1/2005 Froggatte ..... A63B 24/0003  
473/265  
D508,547 S \* 8/2005 Llewellyn ..... D21/791  
D596,260 S \* 7/2009 Hall, Sr. .... D21/792  
D632,750 S \* 2/2011 Callowhill ..... D21/791  
D641,448 S \* 7/2011 Sessions ..... D21/791  
D672,001 S \* 12/2012 Whitfield ..... D21/791  
D717,898 S \* 11/2014 Pfaff ..... D21/791  
9,089,757 B2 \* 7/2015 O'Donovan ..... A63B 71/06  
D891,553 S \* 7/2020 Clift ..... D21/791  
D896,907 S \* 9/2020 Clift ..... D21/791

(21) Appl. No.: **29/708,502**  
(22) Filed: **Oct. 7, 2019**  
(51) **LOC (13) Cl.** ..... **21-02**  
(52) **U.S. Cl.**  
USPC ..... **D21/791**  
(58) **Field of Classification Search**  
USPC ..... D21/789, 791  
CPC . A63B 69/36; A63B 69/3608; A63B 69/3641;  
A63B 69/3676; A63B 9/3661; A63B  
69/3697  
See application file for complete search history.

\* cited by examiner

*Primary Examiner* — Mitchell I. Siegel  
(74) *Attorney, Agent, or Firm* — Eric Karich; Karich &  
Associates

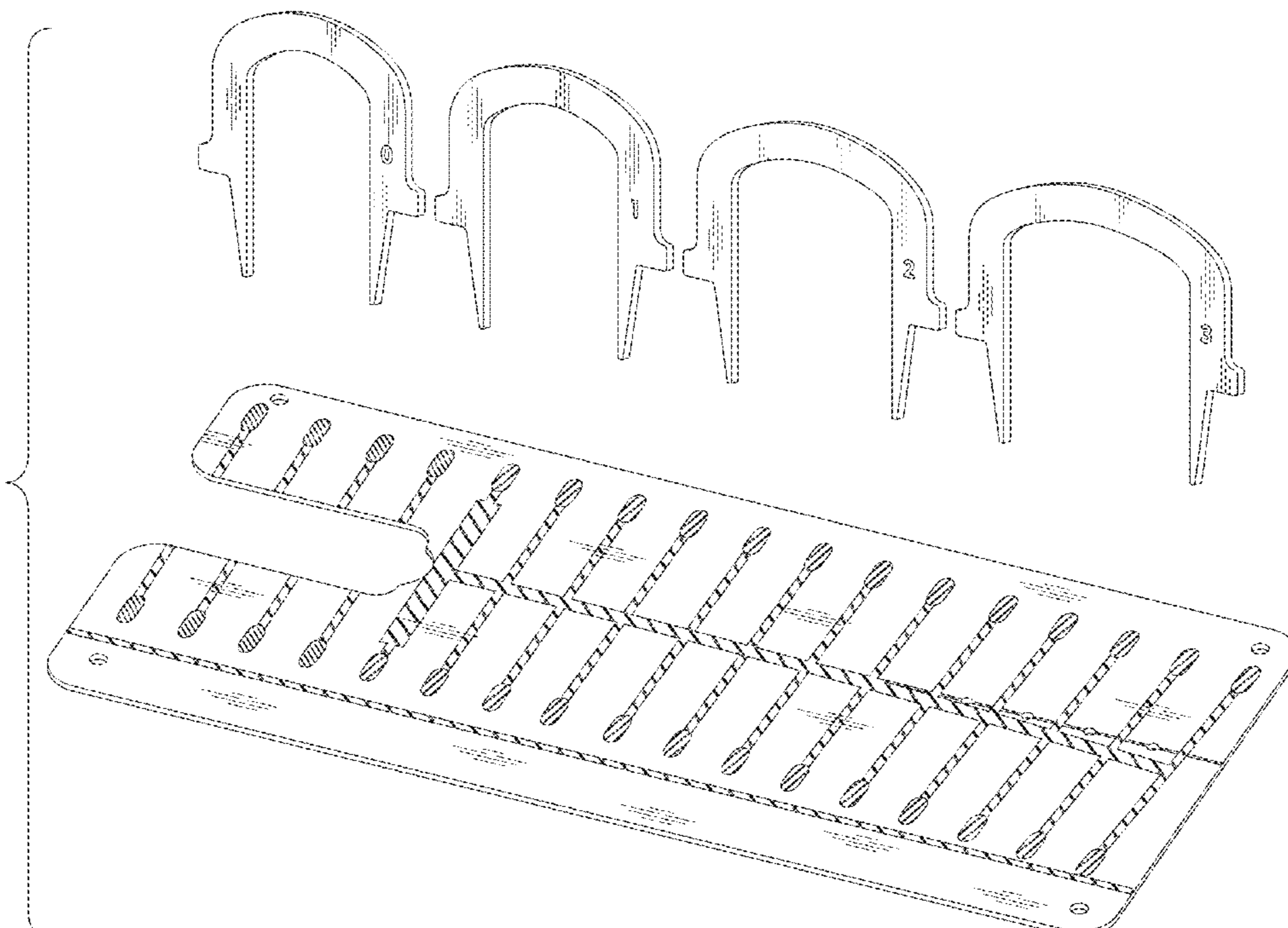
(56) **References Cited**  
U.S. PATENT DOCUMENTS  
3,934,882 A \* 1/1976 Whittaker ..... A63B 24/0003  
473/257  
5,205,559 A \* 4/1993 Plopper ..... A63B 63/00  
273/127 B  
5,294,124 A \* 3/1994 Florian ..... A63B 69/3676  
473/267

(57) **CLAIM**  
The ornamental design for a putting training aid, as shown  
and described.

**DESCRIPTION**

FIG. 1 is a perspective view of a putting training aid,  
showing my new design;  
FIG. 2 is a front elevational view thereof;  
FIG. 3 is a rear elevational view thereof;  
FIG. 4 is a left side elevational view thereof;  
FIG. 5 is a right side elevational view thereof;  
FIG. 6 is a top plan view thereof; and,  
FIG. 7 is a bottom plan view thereof.

**1 Claim, 4 Drawing Sheets**



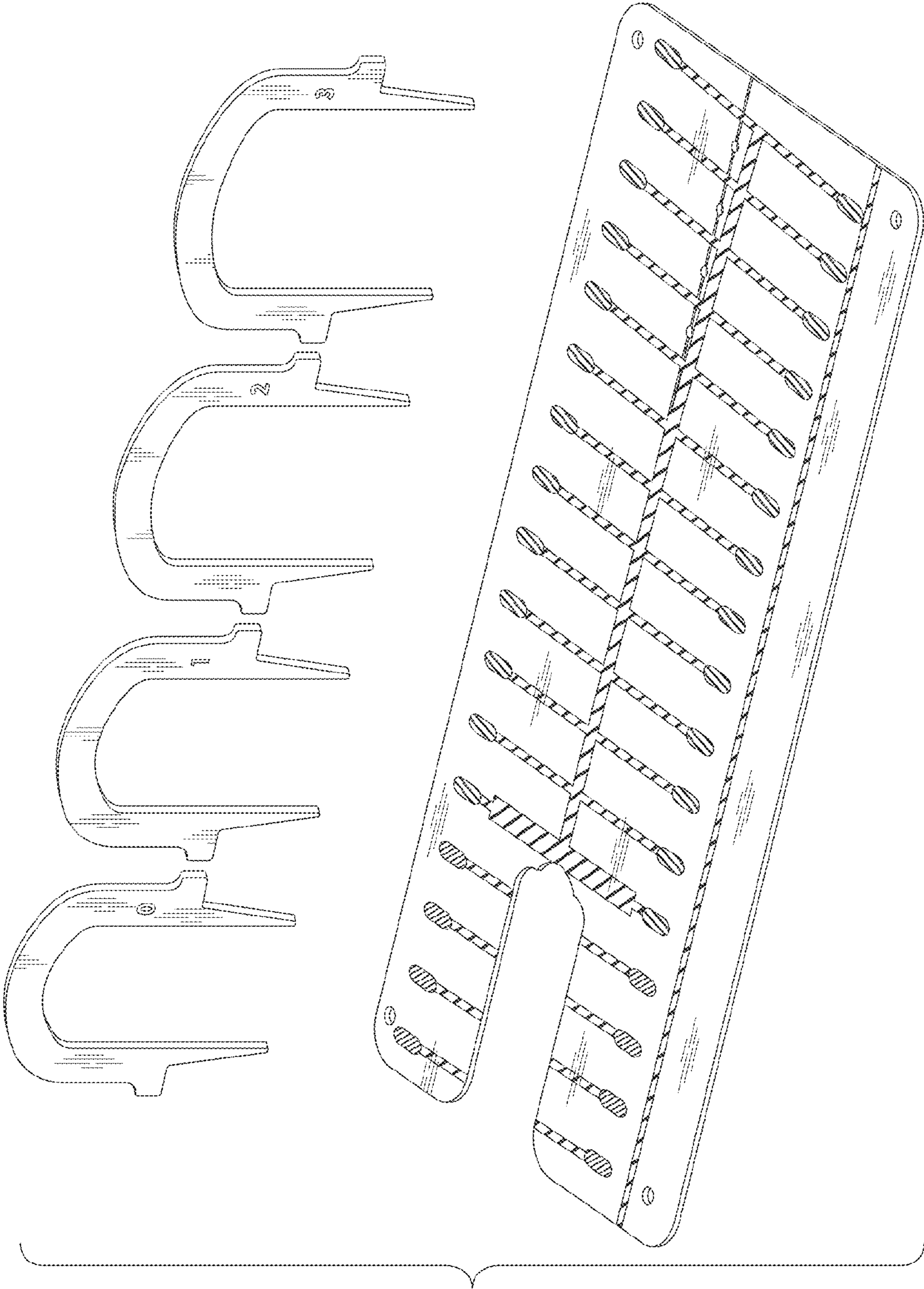


Fig. 1



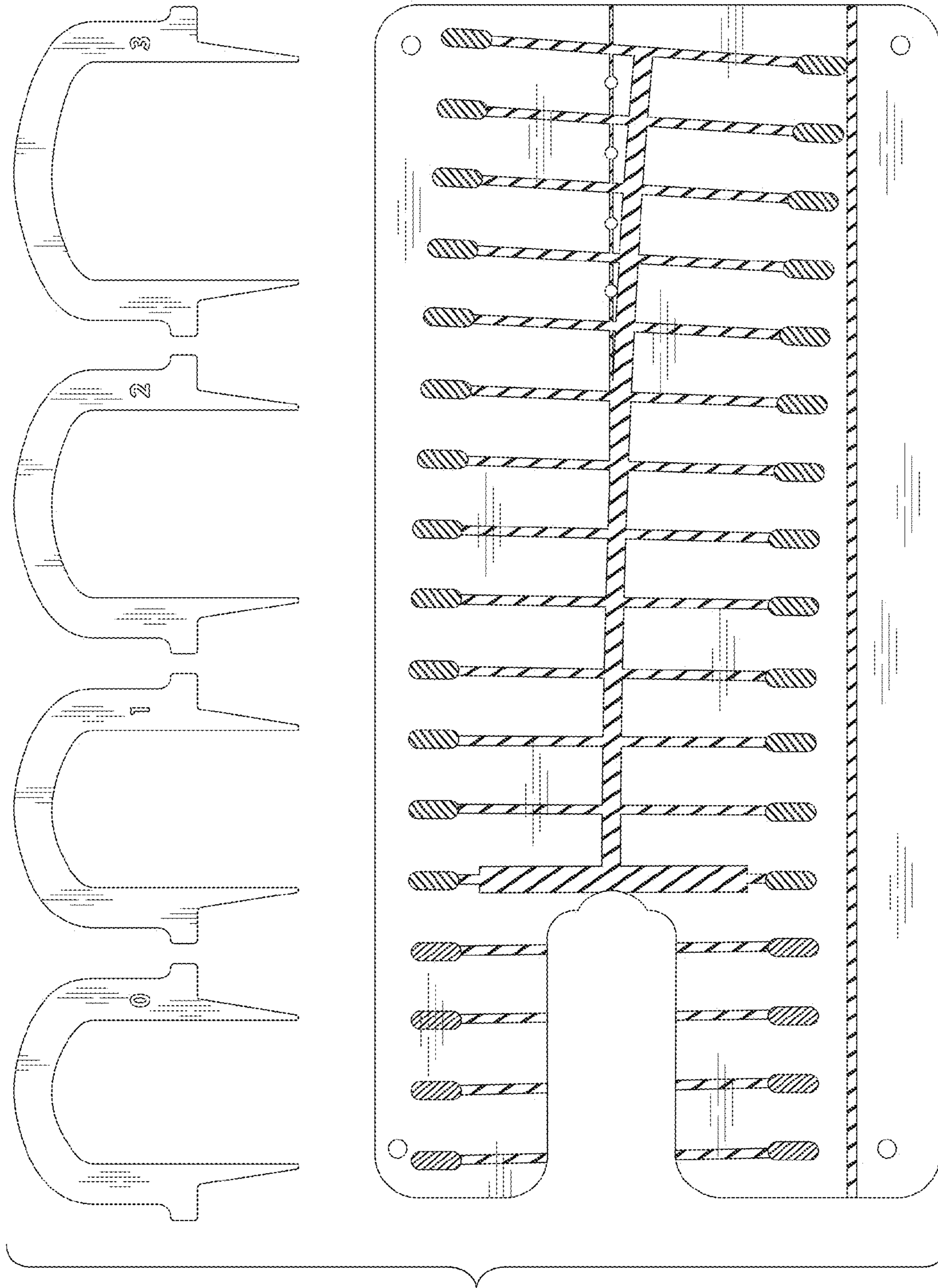


Fig. 2

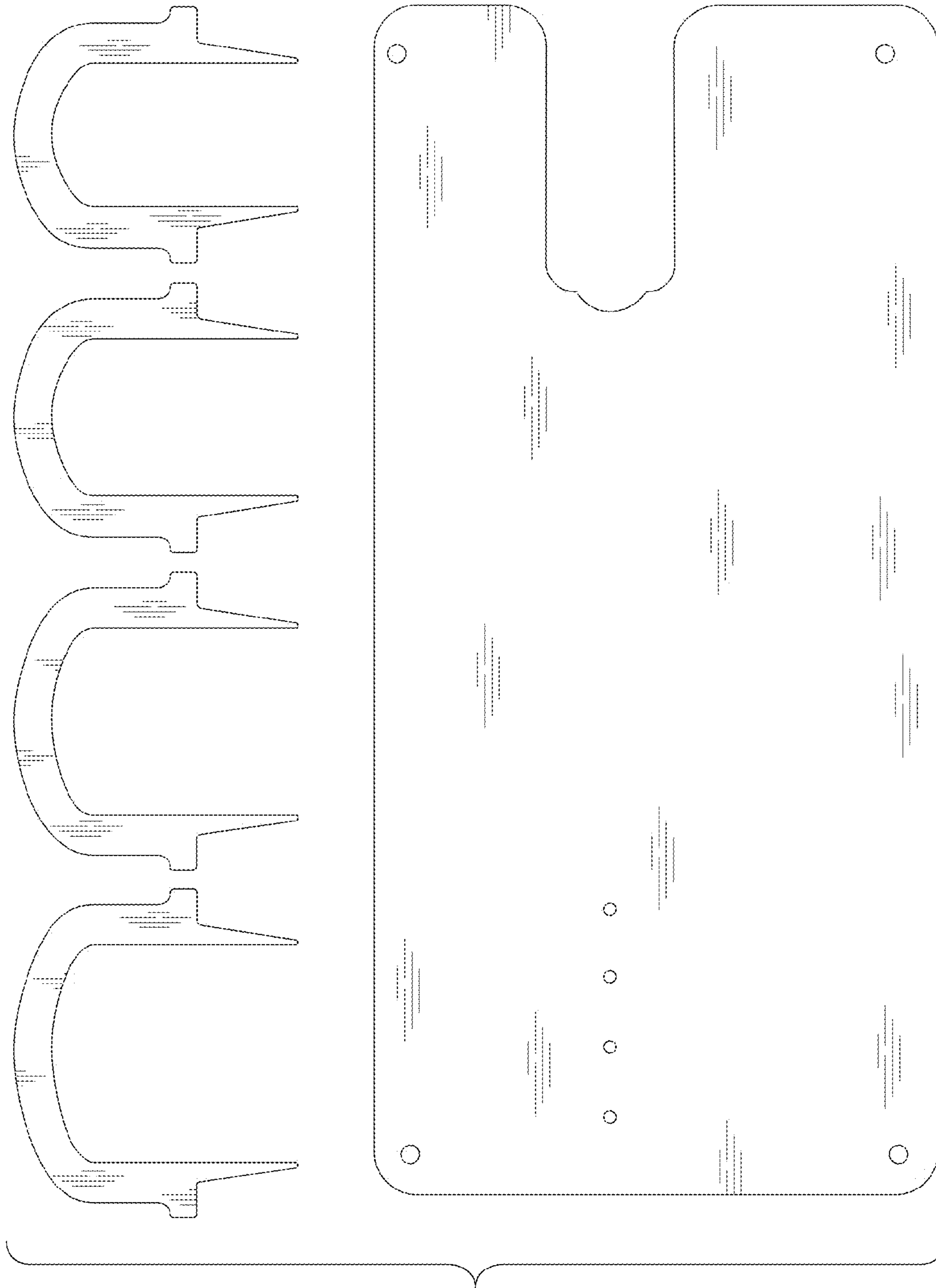


Fig. 3

