



US00D930096S

(12) **United States Design Patent**
Higdon et al.

(10) **Patent No.:** **US D930,096 S**

(45) **Date of Patent:** **** Sep. 7, 2021**

(54) **GOLF CLUB HEAD**

(71) Applicant: **KARSTEN MANUFACTURING CORPORATION**, Phoenix, AZ (US)

(72) Inventors: **David A. Higdon**, Cave Creek, AZ (US); **Calvin S. Wang**, Chandler, AZ (US)

(73) Assignee: **KARSTEN MANUFACTURING CORPORATION**, Phoenix, AZ (US)

(**) Term: **15 Years**

(21) Appl. No.: **29/723,291**

(22) Filed: **Feb. 5, 2020**

(51) **LOC (13) Cl.** **21-02**

(52) **U.S. Cl.**
USPC **D21/743**

(58) **Field of Classification Search**
USPC D21/736-746, 759
CPC A63B 53/00; A63B 53/04; A63B 53/007;
A63B 53/065; A63B 53/0487; A63B
60/00; A63B 60/46
See application file for complete search history.

(56) **References Cited**

U.S. PATENT DOCUMENTS

D207,227 S	3/1967	Solheim	
3,884,477 A	5/1975	Bianco	
D239,951 S	5/1976	Carrier	
4,030,766 A	6/1977	Derr	
D316,129 S	4/1991	Bryson	
5,275,412 A	1/1994	Innes	
5,685,784 A	11/1997	Butler	
D389,207 S *	1/1998	Cameron D21/742
D420,079 S	2/2000	Frazetta	
D426,599 S	6/2000	Morgan	
6,159,108 A	12/2000	De La Pena	

D443,906 S *	6/2001	Hettinger D21/743
6,379,259 B1	4/2002	Opie	
D485,320 S	1/2004	Breier	
D488,526 S	4/2004	Souza	
D498,276 S	11/2004	Schweigert	
D500,109 S	12/2004	Solheim	
D500,110 S	12/2004	Solheim	
6,837,801 B1	1/2005	Souza	
6,878,071 B1	4/2005	Schwieger	

(Continued)

Primary Examiner — Mitchell I. Siegel

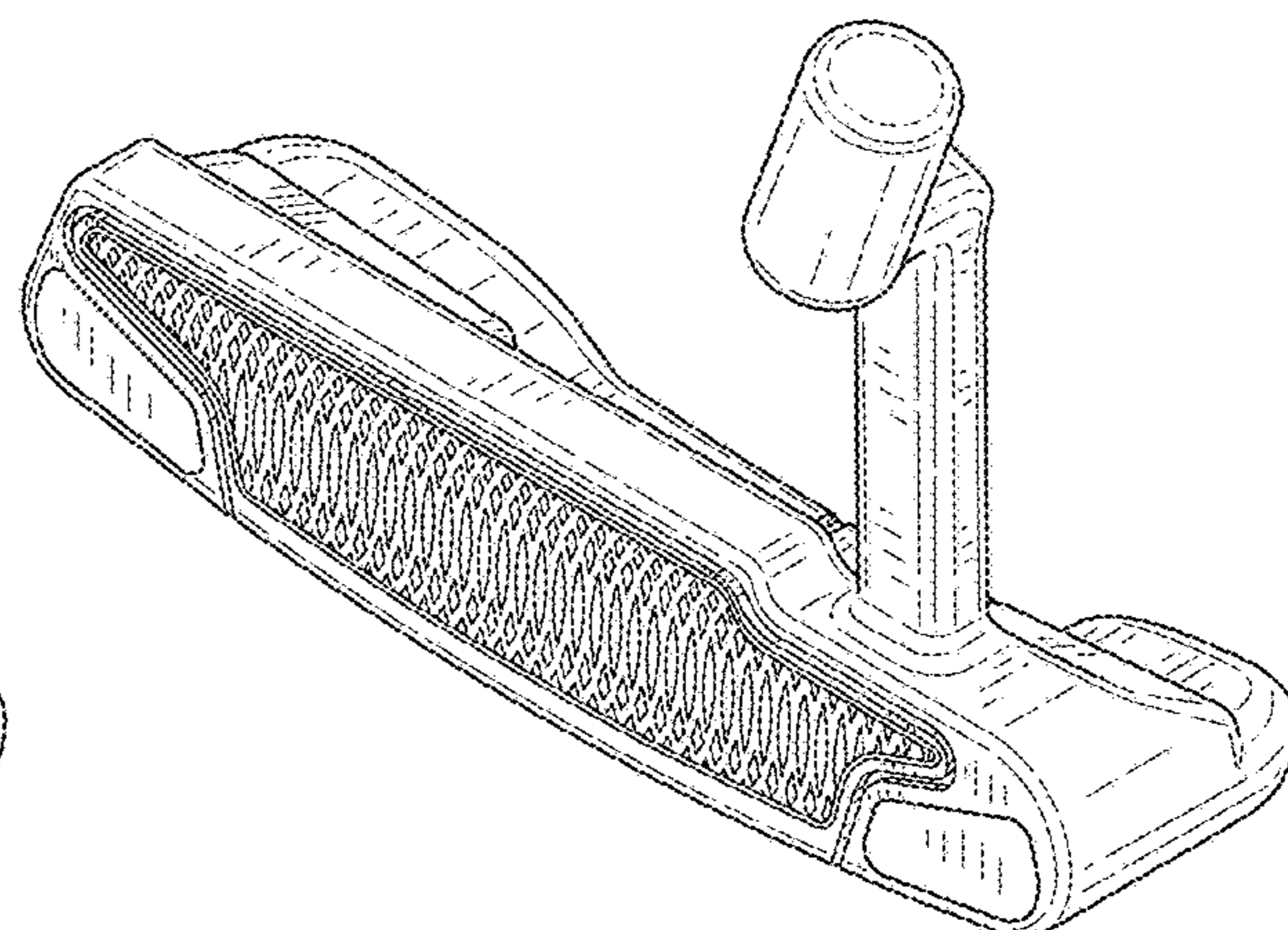
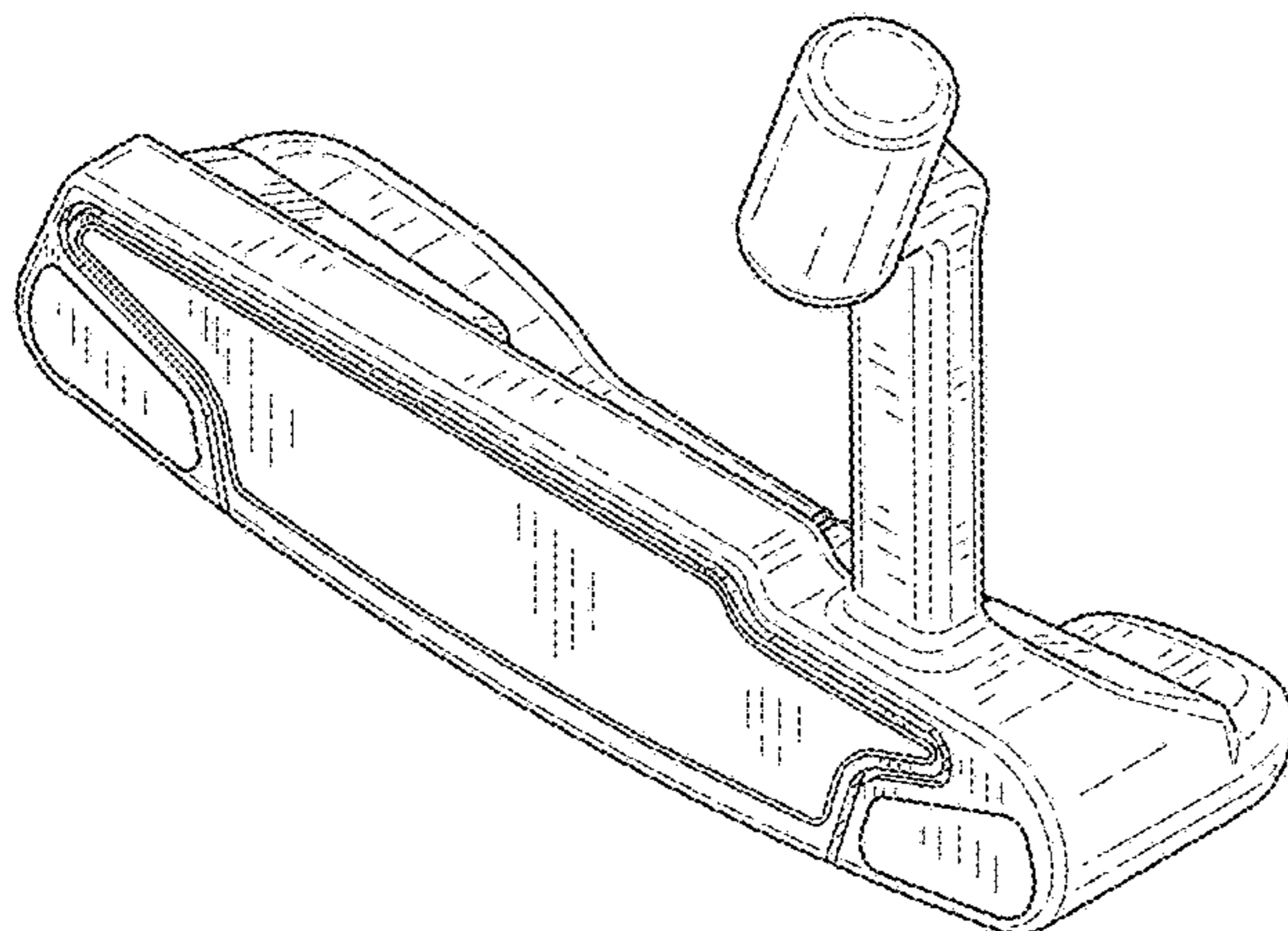
(57) **CLAIM**

The ornamental design for a golf club head, as shown and described.

DESCRIPTION

FIG. 1 is a top perspective view of a golf club head;
 FIG. 2 is a bottom perspective view of the golf club head of FIG. 1;
 FIG. 3 is a top view of the golf club head of FIG. 1;
 FIG. 4 is a bottom view of the golf club head of FIG. 1;
 FIG. 5 is a front view of the golf club head of FIG. 1;
 FIG. 6 is a rear view of the golf club head of FIG. 1;
 FIG. 7 is a heel side view of the golf club head of FIG. 1;
 FIG. 8 is a toe side view of the golf club head of FIG. 1;
 FIG. 9 is a top perspective view of a second embodiment of a golf club head;
 FIG. 10 is a bottom perspective view of the golf club head of FIG. 9;
 FIG. 11 is a top view of the golf club head of FIG. 9;
 FIG. 12 is a bottom view of the golf club head of FIG. 9;
 FIG. 13 is a front view of the golf club head of FIG. 9;
 FIG. 14 is a rear view of the golf club head of FIG. 9;
 FIG. 15 is a heel side view of the golf club head of FIG. 9;
 and,
 FIG. 16 is a toe side view of the golf club head of FIG. 9.
 The broken lines shown form no part of the claimed design.

1 Claim, 10 Drawing Sheets



(56)

References Cited

U.S. PATENT DOCUMENTS

6,893,355 B2	5/2005	Souza		7,927,226 B1 *	4/2011	Twitty	A63B 53/0487 473/251
6,902,496 B2	6/2005	Solheim		D638,891 S	5/2011	Nicolette	
D507,612 S	7/2005	Souza		D638,892 S	5/2011	Hettinger	
6,926,615 B1	8/2005	Souza		D640,341 S	6/2011	Foster et al.	
6,960,140 B2	11/2005	Solheim		7,959,520 B2	6/2011	Campadore	
6,966,845 B2	11/2005	Solheim		D643,080 S	8/2011	Serrano	
D520,584 S	5/2006	Karlsen		D643,485 S	8/2011	Nicolette	
D521,580 S *	5/2006	Burrows	D21/736	D643,486 S	8/2011	Serrano	
D521,582 S	5/2006	Souza		D643,487 S	8/2011	Serrano	
7,052,411 B2	5/2006	Solheim		D643,893 S *	8/2011	Rollinson	D21/742
D522,598 S	6/2006	Solheim		D648,407 S *	11/2011	Teramoto	D21/743
7,077,758 B2	7/2006	Rohrer		D650,456 S	12/2011	Tang	
7,086,957 B2	8/2006	Solheim		8,100,779 B2	1/2012	Solheim	
D527,777 S	9/2006	Solheim		D653,718 S	2/2012	Stokke	
D529,108 S	9/2006	Stites		8,109,838 B2	3/2012	Solheim	
D532,847 S	11/2006	Rollinson		8,128,505 B2	3/2012	Tryner et al.	
D533,243 S	12/2006	Fife		D664,617 S	7/2012	Serrano	
D535,712 S	1/2007	Toroussian		D688,339 S *	8/2013	Hilton	D21/736
7,235,021 B2	6/2007	Solheim		D691,225 S *	10/2013	Hilton	D21/736
D548,294 S *	8/2007	Nguyen	D21/736	D702,782 S	4/2014	Wempe	
D548,295 S	8/2007	Jertson		D711,483 S *	8/2014	Wong	D21/743
7,255,650 B2	8/2007	Bryant		9,033,812 B2	5/2015	Solheim	
D552,196 S *	10/2007	Hueber	D21/742	D733,817 S	7/2015	Jorgensen	
D552,197 S	10/2007	Wells		D769,383 S *	10/2016	Abbott	D21/743
D562,921 S	2/2008	Nguyen		D792,929 S *	7/2017	Serrano	D21/743
D565,137 S	3/2008	Oldknow		D796,597 S *	9/2017	Serrano	D21/736
D569,462 S	5/2008	Rollinson		D796,600 S	9/2017	Serrano	
7,371,185 B1	5/2008	Rohrer		D802,067 S	11/2017	Solheim	
7,374,497 B2	5/2008	Antku		D817,424 S *	5/2018	Toulon	D21/759
D581,473 S	11/2008	Thomas		D817,425 S	5/2018	Toulon	
D583,003 S	12/2008	Solheim		D818,551 S *	5/2018	Toulon	D21/759
D583,887 S *	12/2008	Cameron	D21/743	D832,379 S *	10/2018	Jertson	D21/736
D587,325 S	2/2009	Solheim		D837,315 S *	1/2019	Rollinson	D21/743
D590,462 S *	4/2009	Hettinger	D21/743	D857,135 S *	8/2019	Serrano	D21/736
D595,372 S	6/2009	Rollinson		D857,819 S *	8/2019	Wang	D21/743
D599,423 S	9/2009	Serrano		D859,544 S *	9/2019	Wang	D21/736
D600,760 S	9/2009	Serrano		D869,581 S *	12/2019	Aguilar	D21/743
D600,761 S	9/2009	Serrano		D869,582 S *	12/2019	Rollinson	D21/743
D600,762 S	9/2009	Serrano		D869,583 S *	12/2019	Rollinson	D21/743
7,601,076 B2	10/2009	Rollinson		D874,590 S *	2/2020	Lee	D21/743
D607,950 S	1/2010	Souza		10,737,153 B2 *	8/2020	Schweigert	A63B 53/0487
D620,993 S *	8/2010	Laub	D21/746	D898,845 S *	10/2020	Clarke	D21/743
D621,458 S	8/2010	Serrano		D912,746 S *	3/2021	Toulon	D21/743
D621,460 S	8/2010	Serrano		2005/0170904 A1	8/2005	Smeeth	
D621,461 S	8/2010	Serrano		2006/0094533 A1	5/2006	Warren	
D621,462 S	8/2010	Serrano		2007/0191135 A1	8/2007	Nilsson	
D621,891 S	8/2010	Serrano		2008/0096686 A1	4/2008	Bilkhu	
7,803,066 B2	9/2010	Solheim		2010/0227704 A1	9/2010	Souza	
7,815,515 B1	10/2010	Hunt		2012/0115628 A1	5/2012	Woods	
7,887,432 B2	2/2011	Jones		2017/0266517 A1 *	9/2017	Bischmann	A63B 53/0487
				2018/0311545 A1 *	11/2018	Lambeth	B23P 15/00
				2020/0101357 A1 *	4/2020	Higdon	A63B 53/065

* cited by examiner

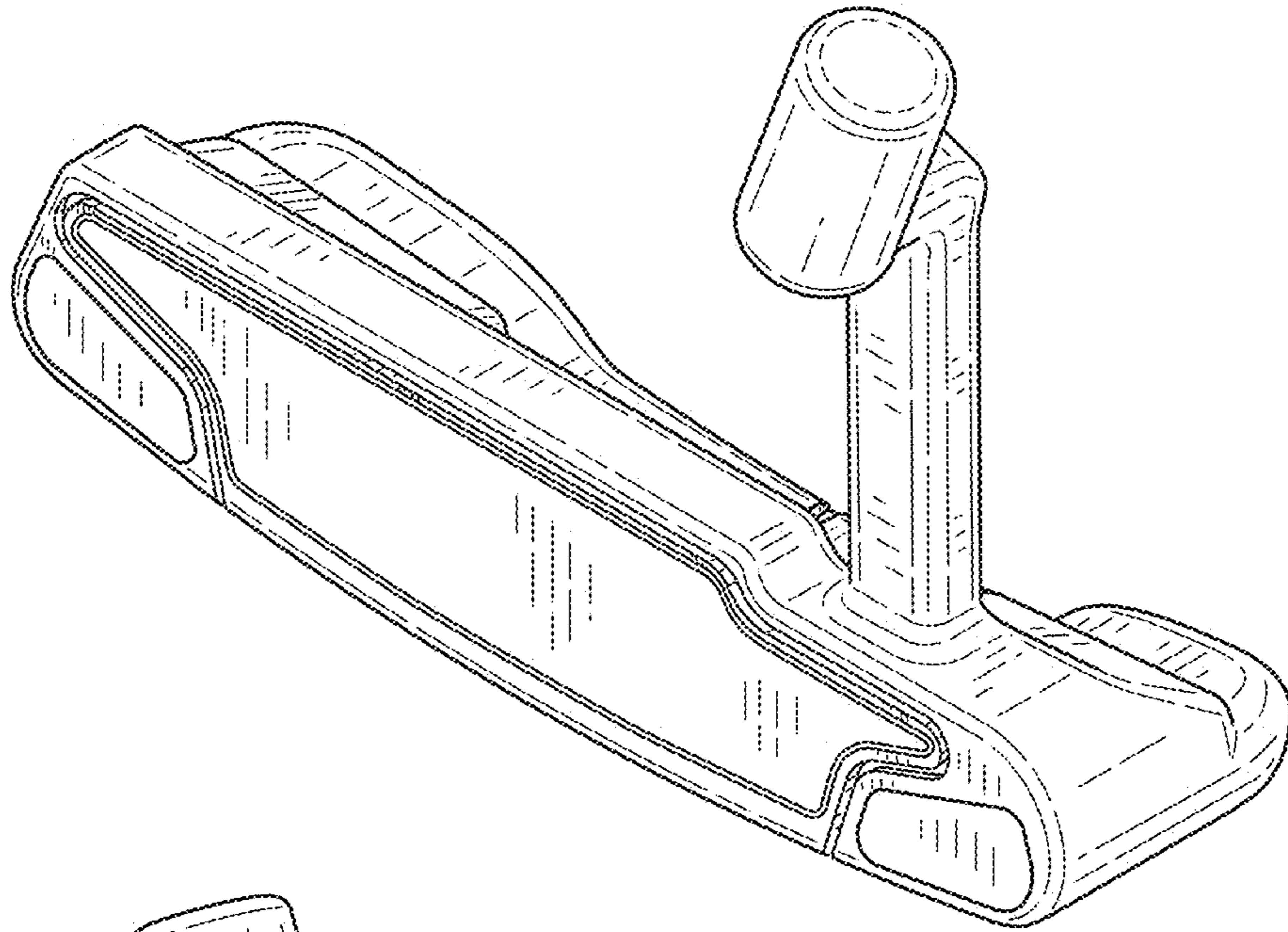


FIG.1

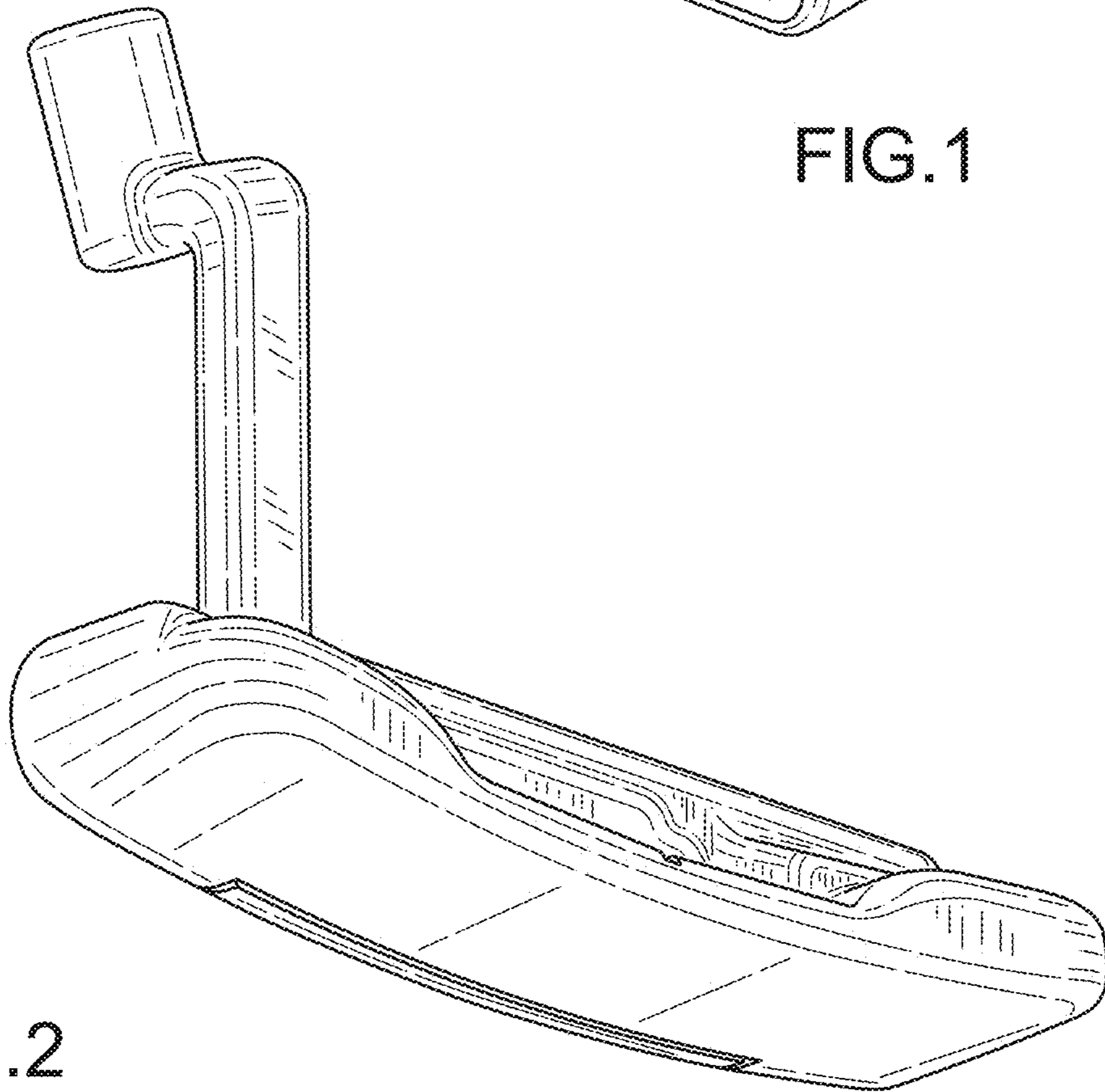


FIG.2

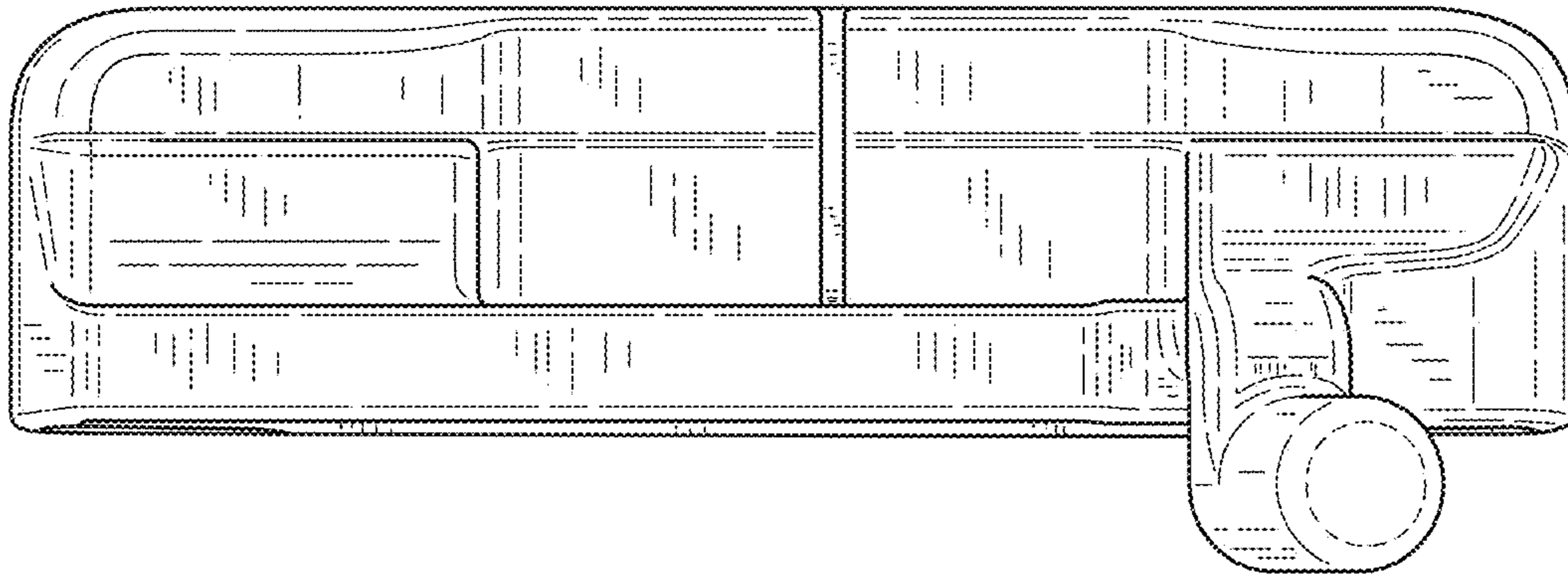


FIG.3

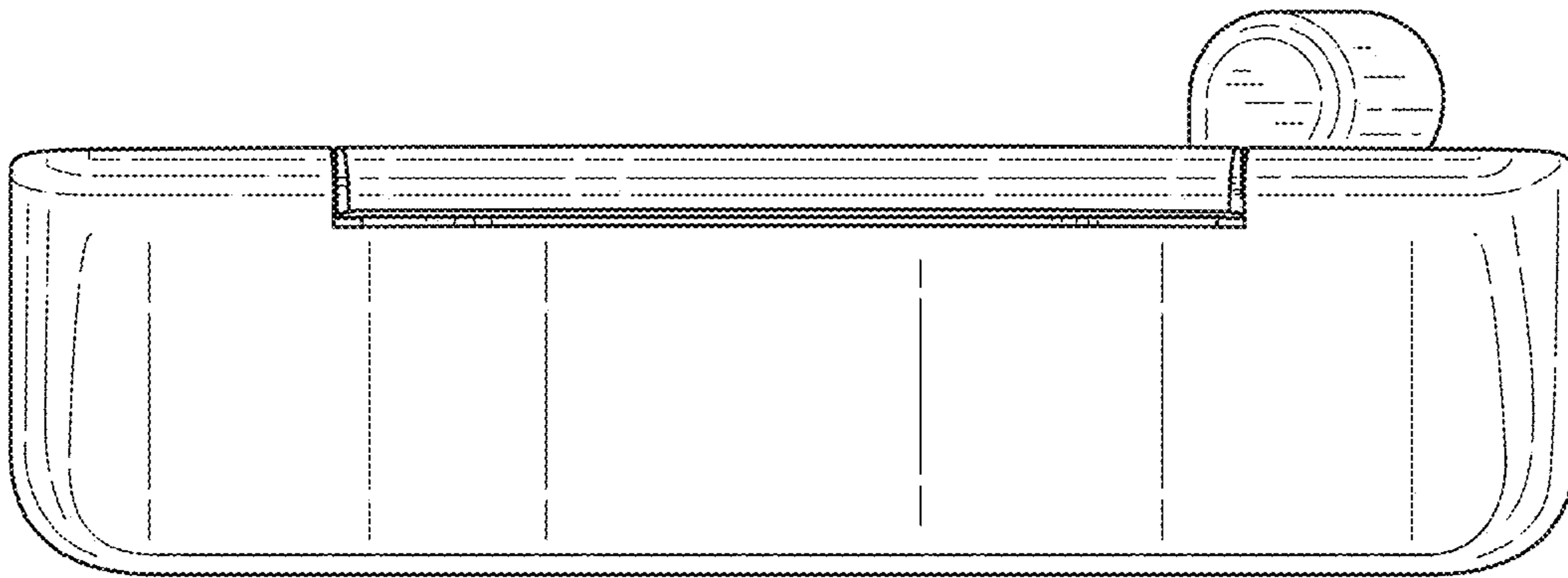


FIG.4

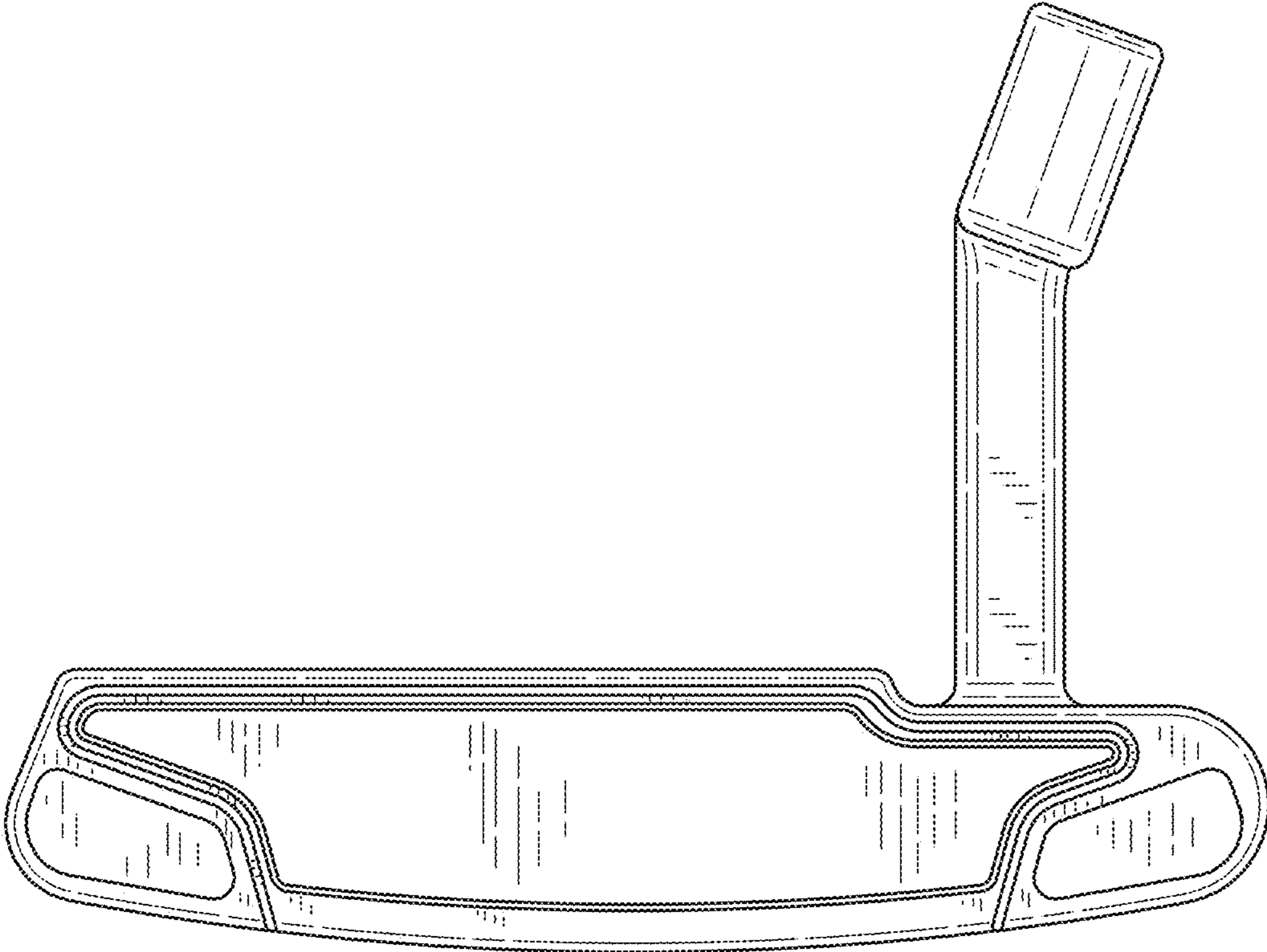


FIG.5

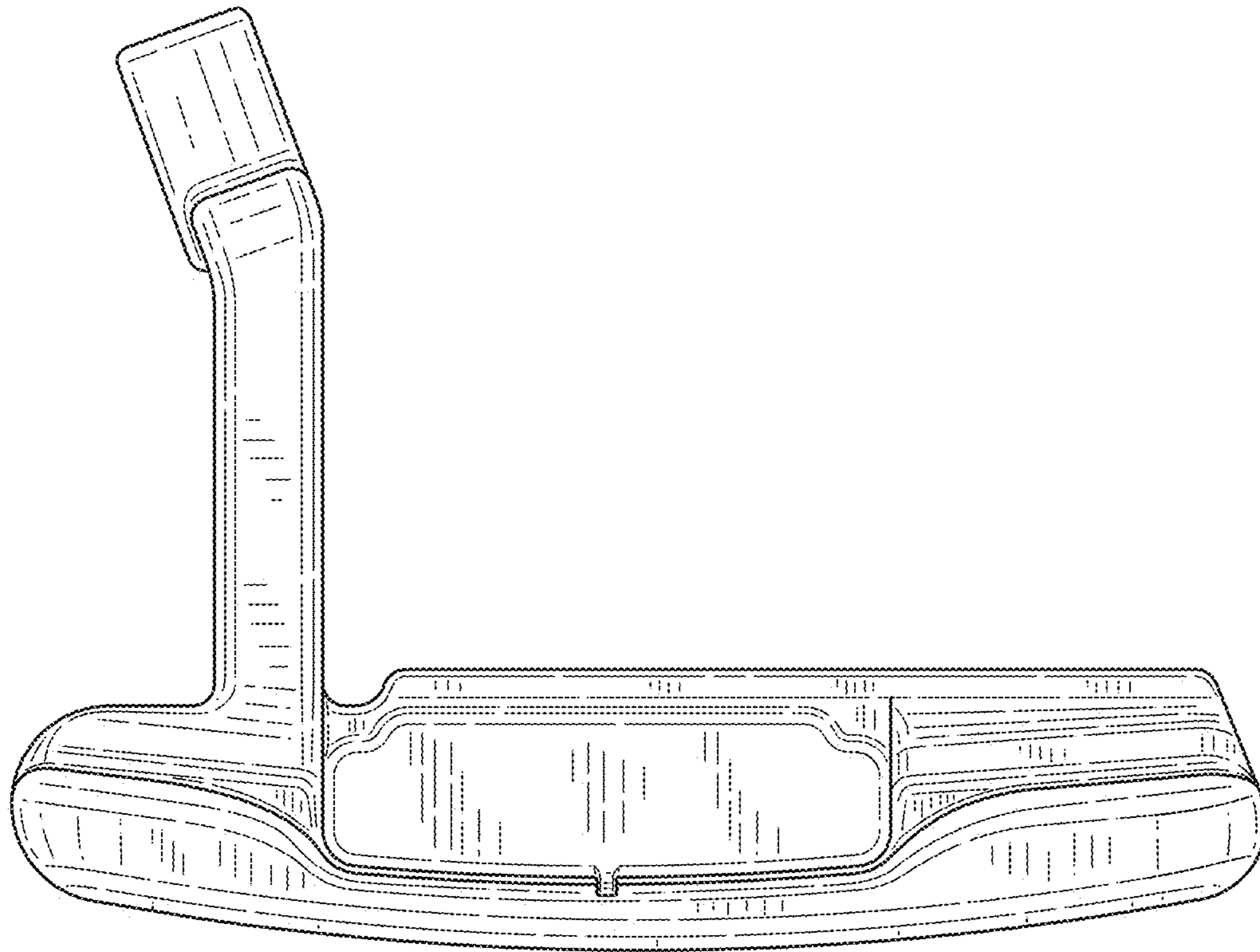


FIG. 6

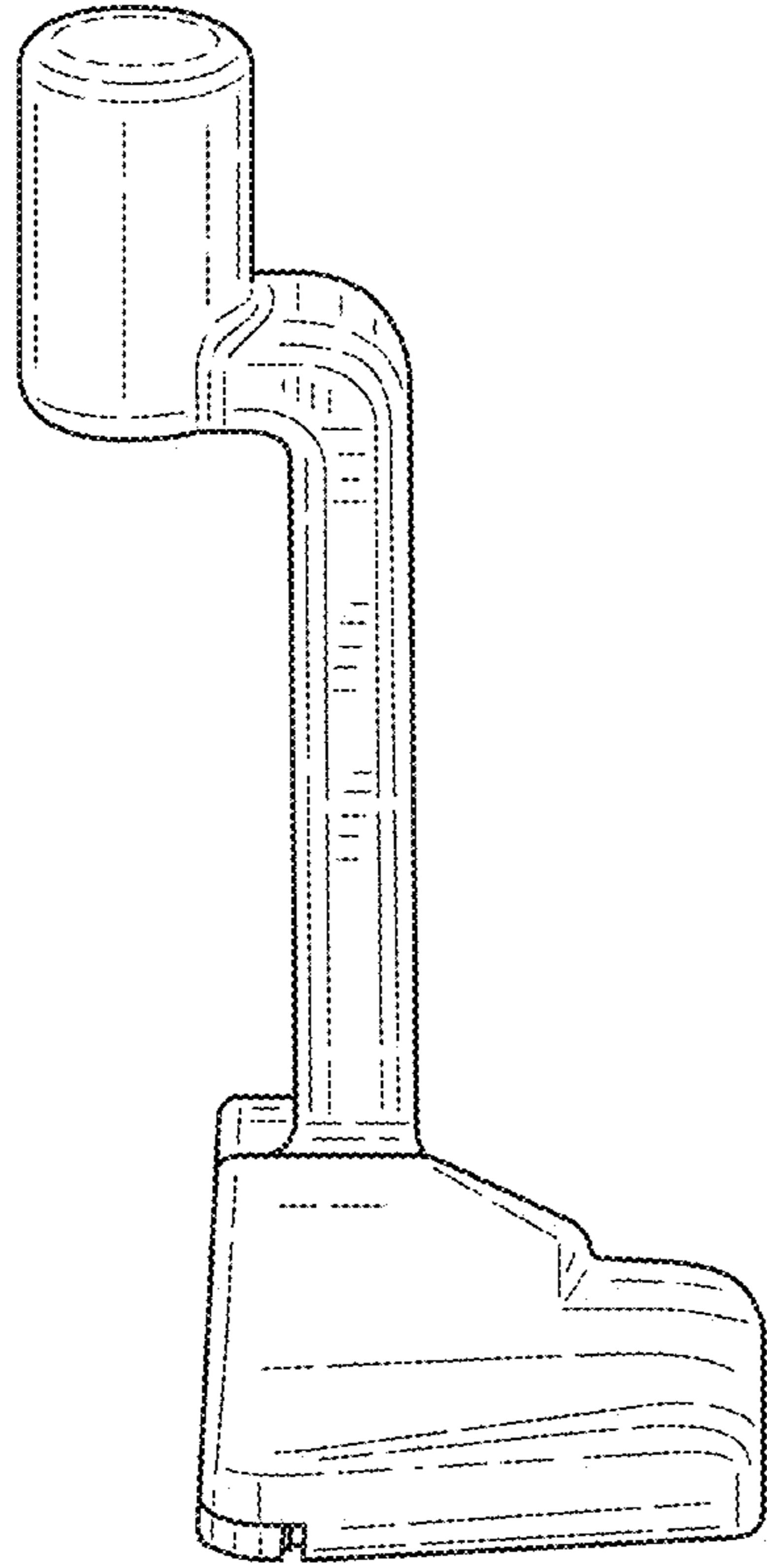


FIG. 7

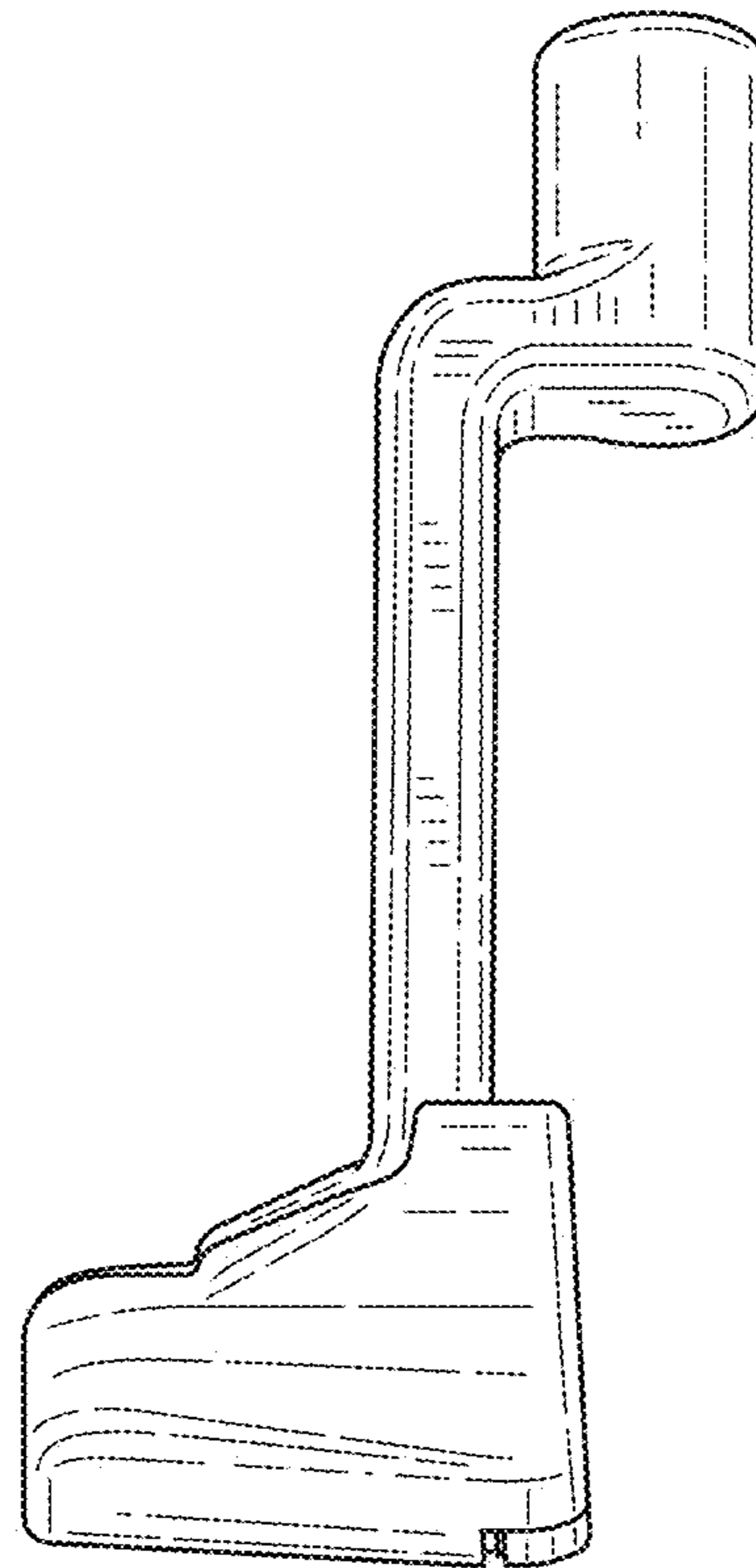


FIG. 8

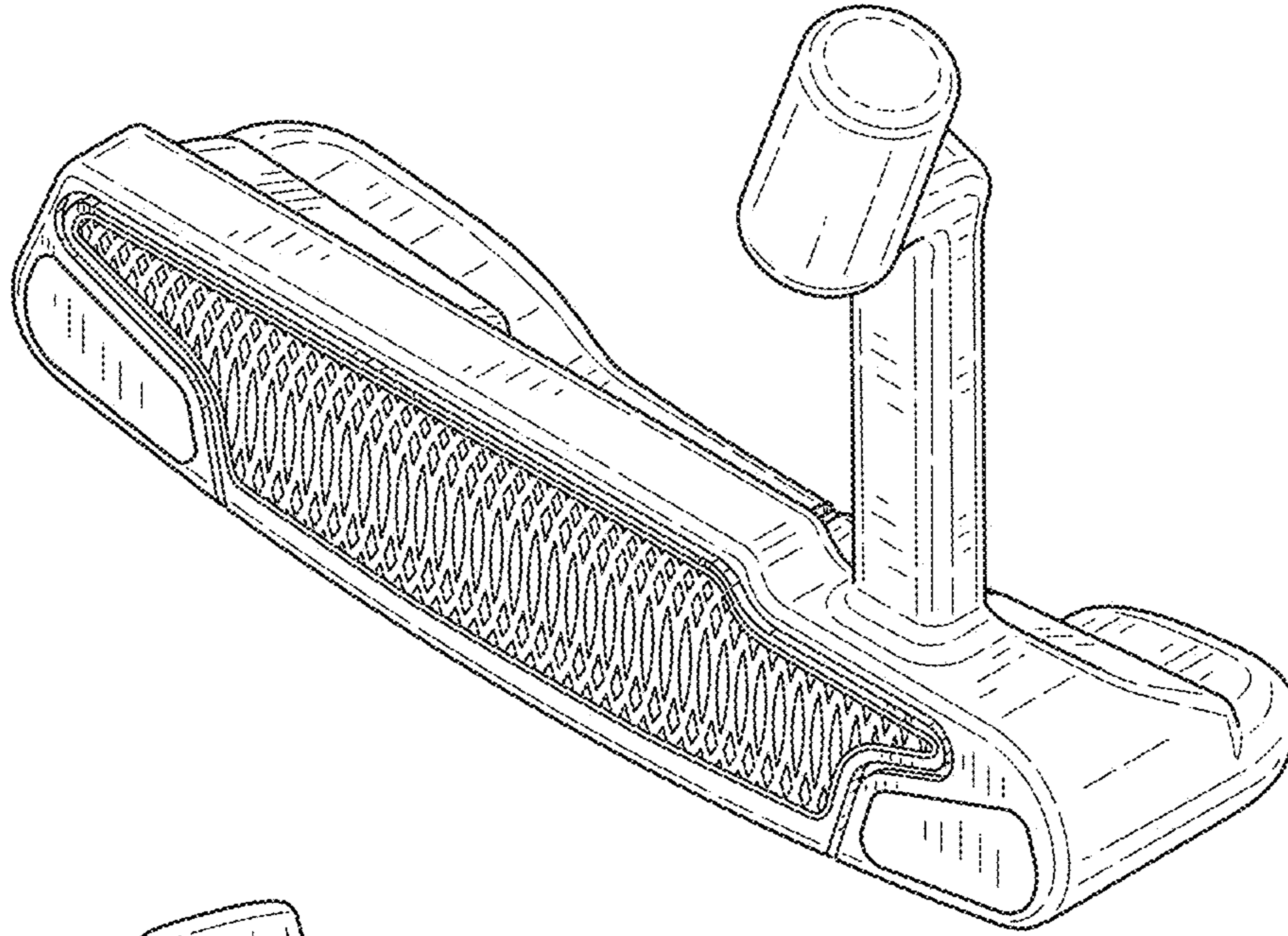


FIG. 9

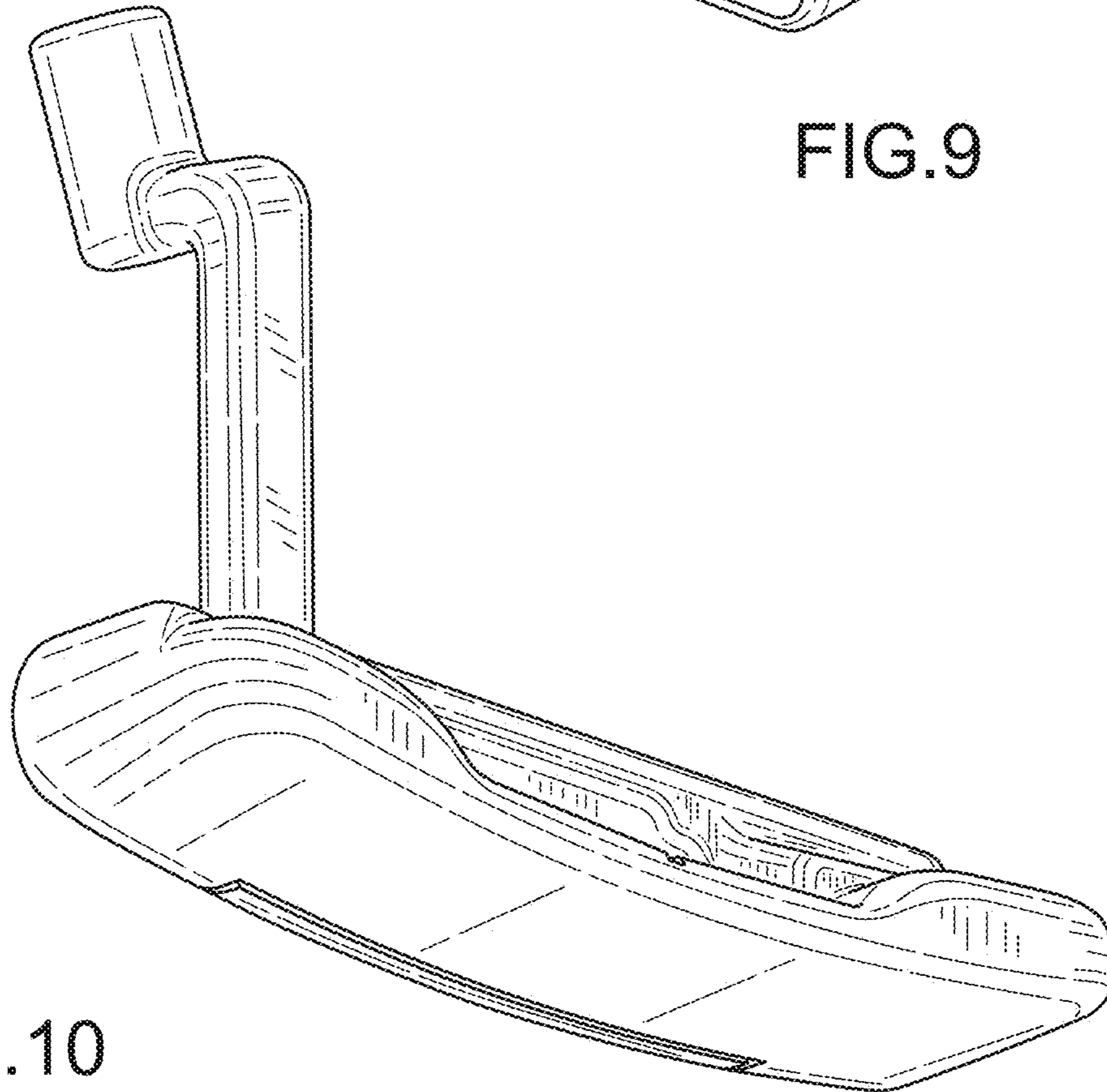


FIG. 10

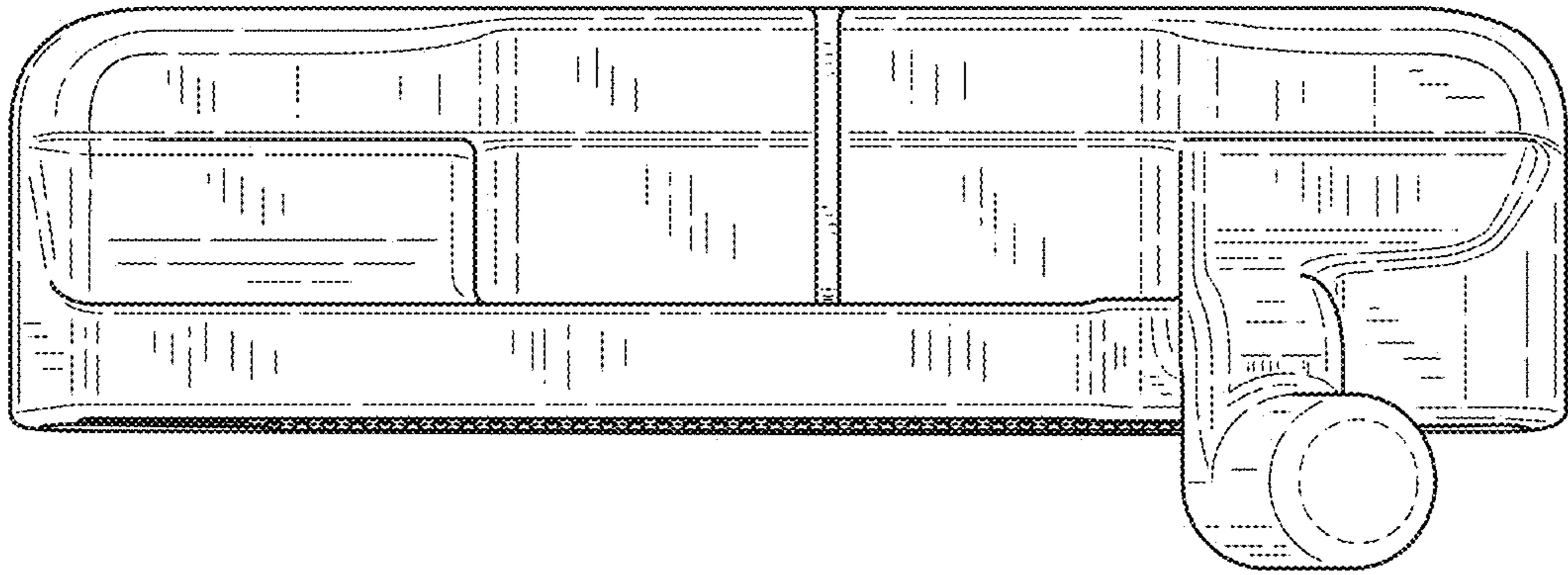


FIG. 11

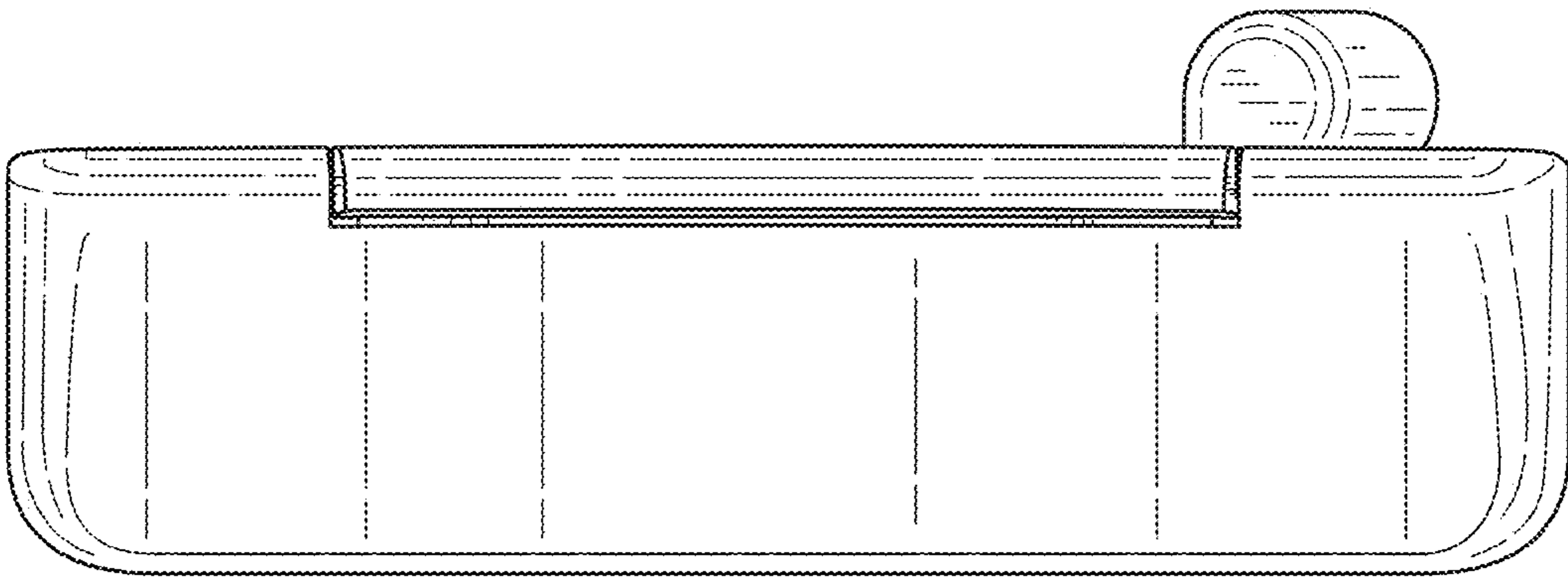


FIG. 12

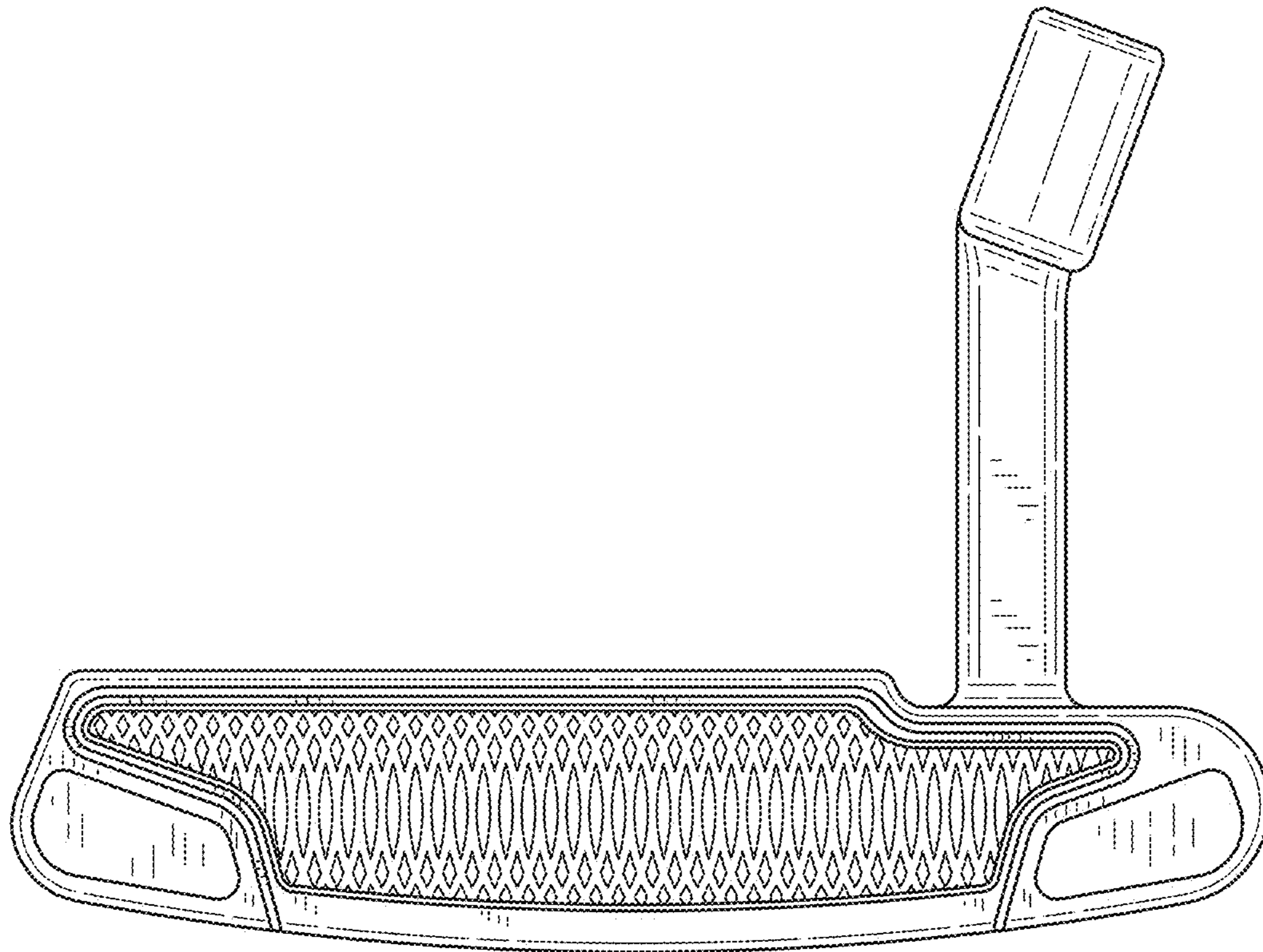


FIG.13

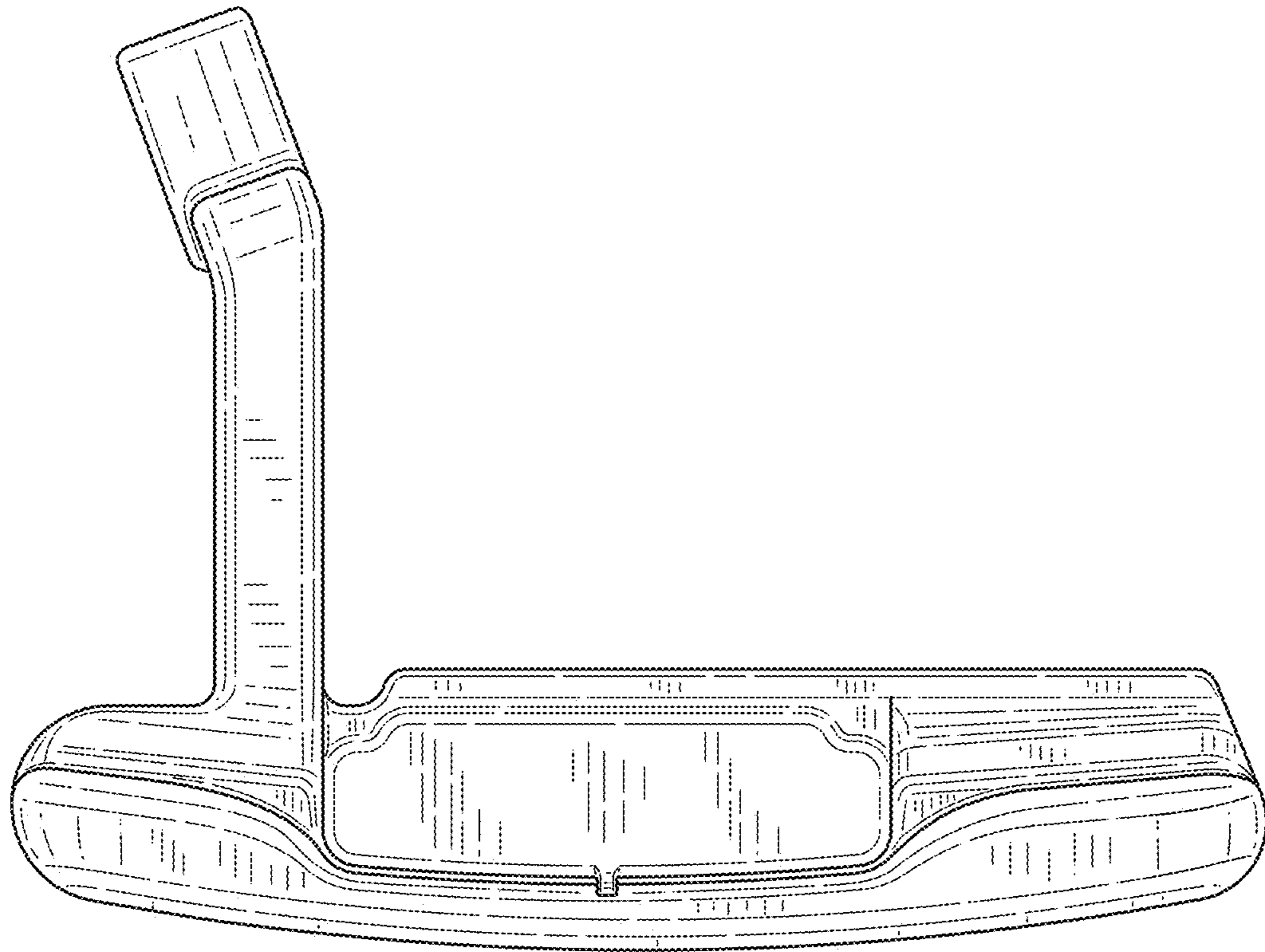


FIG.14

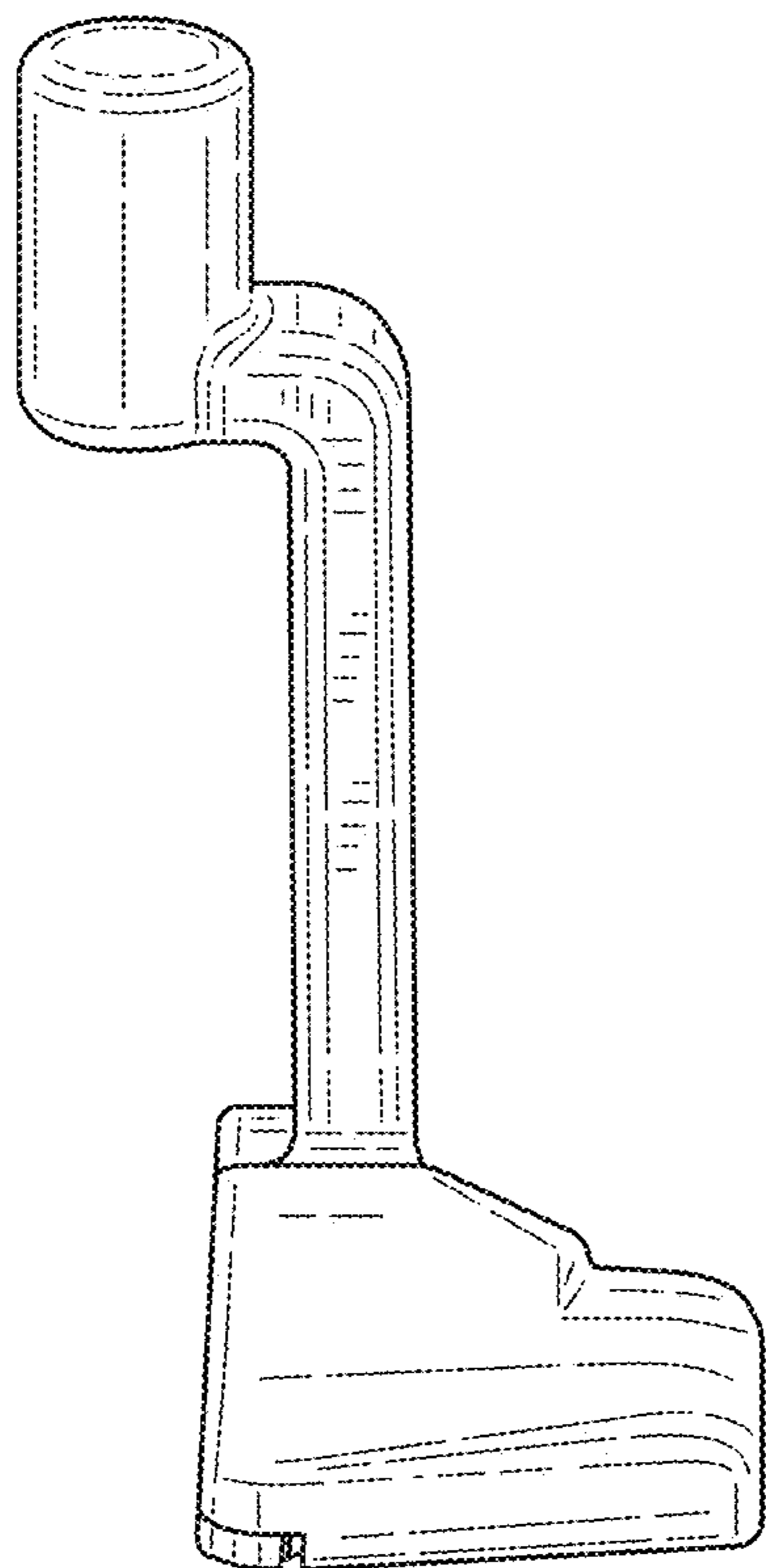


FIG. 15

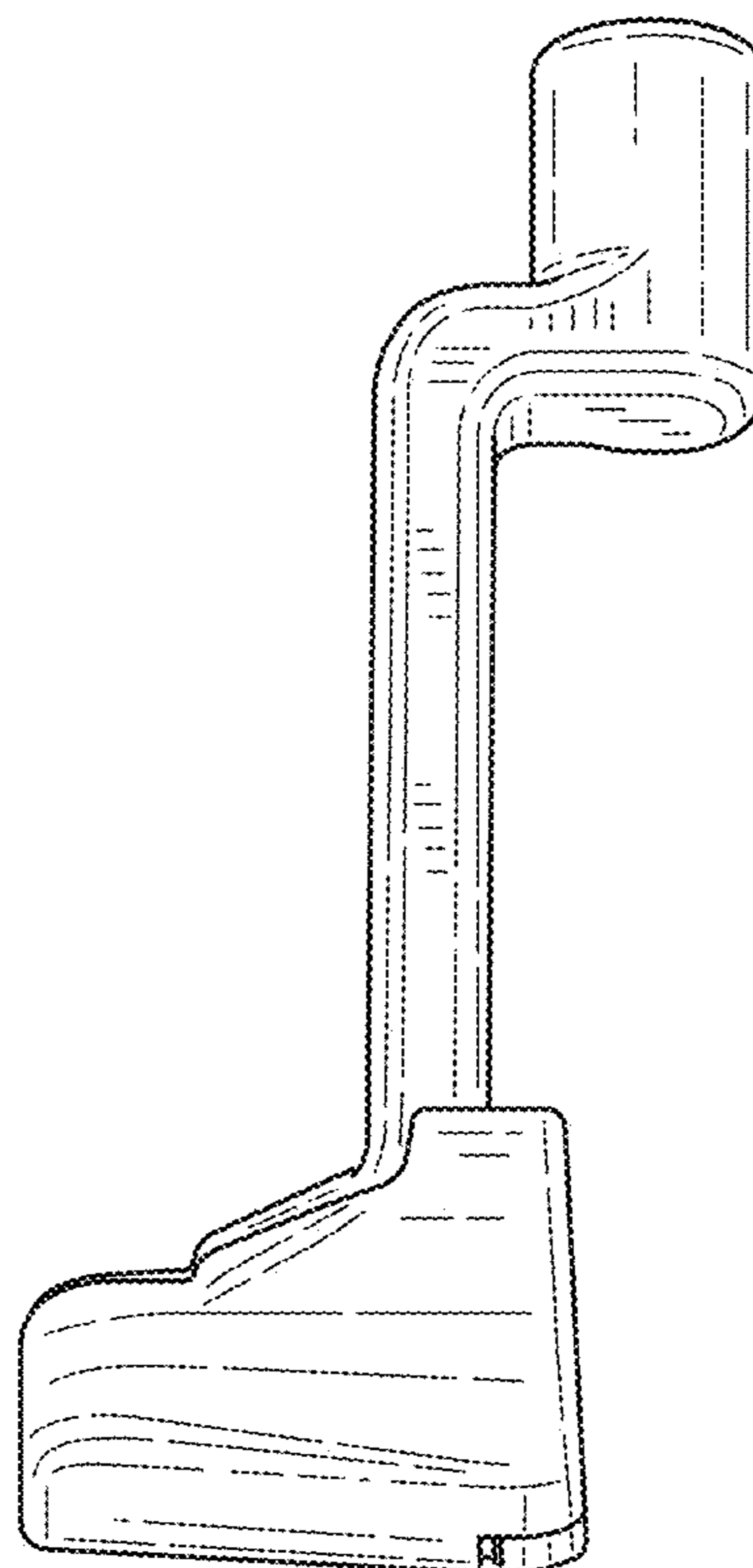


FIG. 16