



US00D930095S

(12) **United States Design Patent**
Wang et al.

(10) **Patent No.:** **US D930,095 S**
(45) **Date of Patent:** **** Sep. 7, 2021**

(54) **GOLF CLUB HEAD**

FOREIGN PATENT DOCUMENTS

(71) Applicant: **KARSTEN MANUFACTURING CORPORATION**, Phoenix, AZ (US)

JP 2006010952 1/2007
JP 2008024142 5/2009

(Continued)

(72) Inventors: **Calvin S. Wang**, Chandler, AZ (US);
David A. Higdon, Cave Creek, AZ (US); **Anthony D. Serrano**, Anthem, AZ (US)

OTHER PUBLICATIONS

<https://www.2ndswing.com/nike/golf-putters/everclear-e33/#used> ,
Nike Everclear E33 Putter, Jun. 13, 2017.

(Continued)

(73) Assignee: **Karsten Manufacturing Corporation**, Phoenix, AZ (US)

Primary Examiner — Mitchell I. Siegel

(**) Term: **15 Years**

(57) **CLAIM**

The ornamental design for a golf club head, as shown and described.

(21) Appl. No.: **29/722,752**

DESCRIPTION

(22) Filed: **Jan. 31, 2020**

(51) **LOC (13) Cl.** **21-02**

(52) **U.S. Cl.**
USPC **D21/743**

(58) **Field of Classification Search**
USPC D21/736-746, 759
CPC A63B 53/00; A63B 53/04; A63B 53/007;
A63B 53/065; A63B 53/0487; A63B
60/00; A63B 60/46

See application file for complete search history.

FIG. 1 is a top perspective view of a golf club head;
FIG. 2 is a bottom perspective view of the golf club head of FIG. 1;
FIG. 3 is a top view of the golf club head of FIG. 1;
FIG. 4 is a bottom view of the golf club head of FIG. 1;
FIG. 5 is a front view of the golf club head of FIG. 1;
FIG. 6 is a rear view of the golf club head of FIG. 1;
FIG. 7 is a heel side view of the golf club head of FIG. 1;
FIG. 8 is a toe side view of the golf club head of FIG. 1;
FIG. 9 is a top perspective view of a second embodiment of a golf club head;
FIG. 10 is a bottom perspective view of the golf club head of FIG. 9;
FIG. 11 is a top view of the golf club head of FIG. 9;
FIG. 12 is a bottom view of the golf club head of FIG. 9;
FIG. 13 is a front view of the golf club head of FIG. 9;
FIG. 14 is a rear view of the golf club head of FIG. 9;
FIG. 15 is a heel side view of the golf club head of FIG. 9;
and,
FIG. 16 is a toe side view of the golf club head of FIG. 9.
The broken lines shown on the drawings form no part of the claimed design.

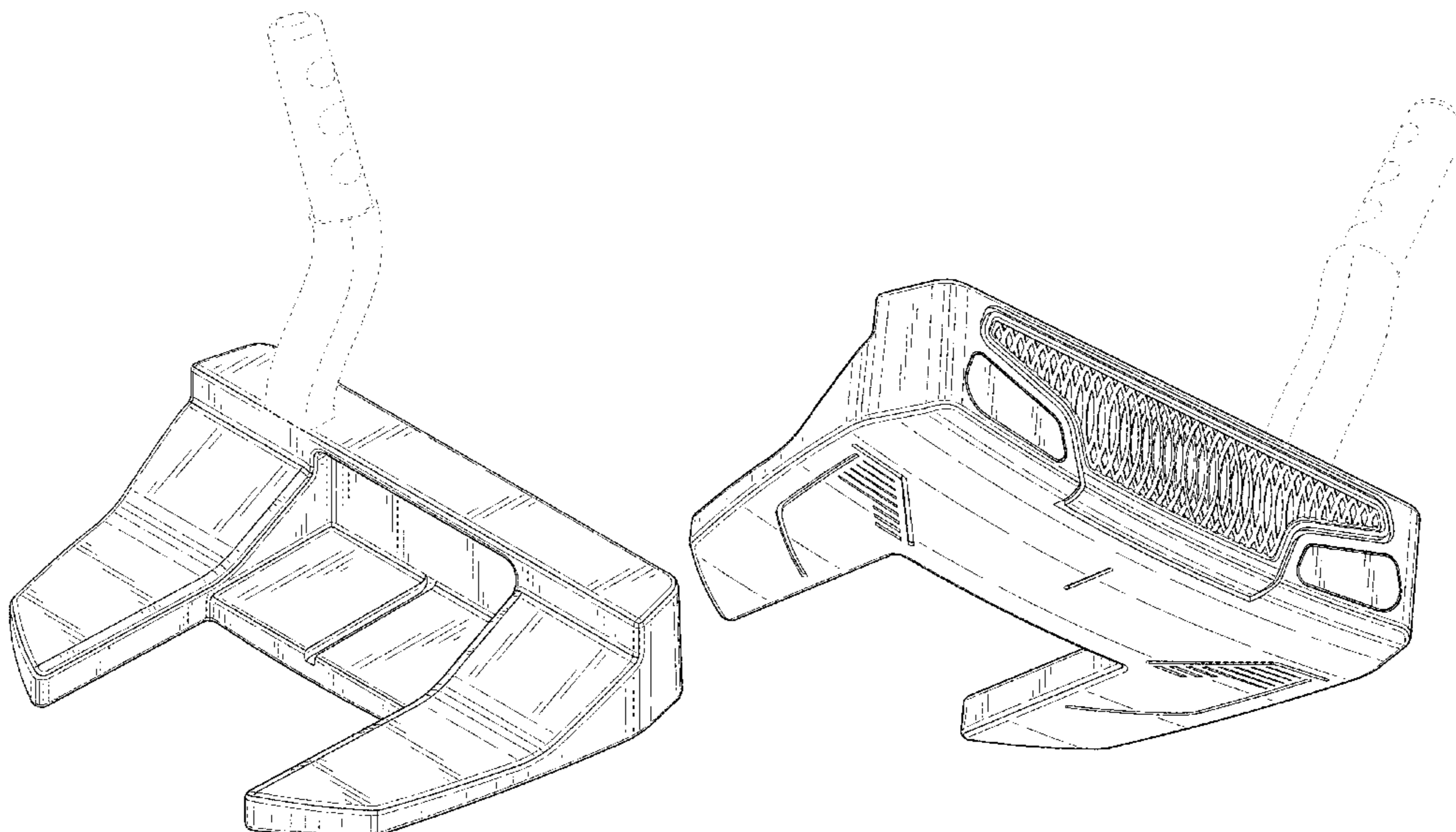
(56) **References Cited**

U.S. PATENT DOCUMENTS

4,741,535 A 5/1988 Leonhardt
D323,867 S 2/1992 Rizzotto
D350,177 S 8/1994 Ramirez et al.
D359,330 S 6/1995 Channell
D381,382 S 7/1997 Fenton
5,997,409 A 12/1999 Mattson
D421,471 S 3/2000 Moldovan

(Continued)

1 Claim, 14 Drawing Sheets



(56)

References Cited

U.S. PATENT DOCUMENTS

D436,638 S 1/2001 Carrier
 6,634,956 B1 10/2003 Pegg
 6,902,496 B2* 6/2005 Solheim A63B 53/0487
 473/341
 D517,143 S 3/2006 Petsel
 D532,844 S 11/2006 Rollinson
 D532,845 S* 11/2006 Rollinson D21/736
 D564,607 S 3/2008 Oldknow
 D568,954 S 5/2008 Oldknow
 D573,673 S* 7/2008 Noyes D21/721
 D574,908 S* 8/2008 Hettinger D21/743
 D582,497 S* 12/2008 Rollinson D21/744
 D589,575 S 3/2009 Kim et al.
 D590,461 S 4/2009 Kim et al.
 D591,807 S* 5/2009 Rollinson D21/744
 D594,917 S 6/2009 Stellander
 D595,373 S 6/2009 Kim et al.
 D604,787 S 11/2009 Hopkins
 D621,458 S 8/2010 Serrano et al.
 D670,774 S 11/2012 Seiff
 D688,341 S* 8/2013 Rollinson D21/746
 D691,226 S* 10/2013 Hilton D21/746
 D701,274 S 3/2014 Rollinson
 D711,483 S* 8/2014 Wong D21/743
 D720,821 S 1/2015 Brandt
 D728,715 S* 5/2015 Cameron D21/736
 D730,464 S* 5/2015 Cameron D21/743
 D731,605 S 6/2015 Rollinson
 D768,248 S 10/2016 Rollinson
 D771,208 S 11/2016 Bettinardi
 D773,573 S* 12/2016 Abbott D21/744
 D776,771 S 1/2017 Peterson
 D777,270 S 1/2017 Rollinson
 D799,617 S 10/2017 Becktor et al.
 D801,459 S 10/2017 Rollinson et al.

D807,453 S* 1/2018 Serrano D21/743
 D815,222 S* 4/2018 Serrano D21/743
 D815,703 S* 4/2018 Schweigert D21/736
 D832,381 S* 10/2018 Serrano D21/743
 D844,722 S* 4/2019 Wang D21/736
 D844,724 S* 4/2019 Wang D21/743
 D847,924 S* 5/2019 Wang D21/743
 D847,926 S* 5/2019 Wang D21/744
 D857,819 S* 8/2019 Wang D21/743
 D859,544 S* 9/2019 Wang D21/736
 D860,356 S* 9/2019 Rollinson D21/744
 D867,495 S* 11/2019 Cameron D21/736
 D867,498 S* 11/2019 Broom D21/743
 D882,006 S* 4/2020 Serrano D21/736
 D892,954 S* 8/2020 Clarke D21/736
 D893,645 S* 8/2020 Serrano D21/743
 D895,748 S* 9/2020 Rollinson D21/743
 D906,453 S* 12/2020 Agrella D21/743
 D910,789 S* 2/2021 Schweigert D21/736
 10,905,928 B2* 2/2021 Sheldon A63B 53/0487
 D912,174 S* 3/2021 Toulon D21/743

FOREIGN PATENT DOCUMENTS

JP 2009005069 1/2010
 JP 2016026506 6/2017

OTHER PUBLICATIONS

<https://www.scottycameron.com/archives/putters/2016/futura-x/futura-x5/> , Futura XS , Jun. 13, 2017.
<http://www.clevelandgolf.com/en/clubs-/tfi-2135-elevado-putter/MTFI2135ELEV.html> , TFI 2135 Elevado Putter , Jun. 13, 2017.
<http://rifegolf.com/store#!/~/product/category=8856002&id=34731881> , Rife General Left-hand Putter , Jun. 13, 2017.
 TitleistR 2015, p. 41, Acushnet Japan, Inc. Feb. 2015.

* cited by examiner

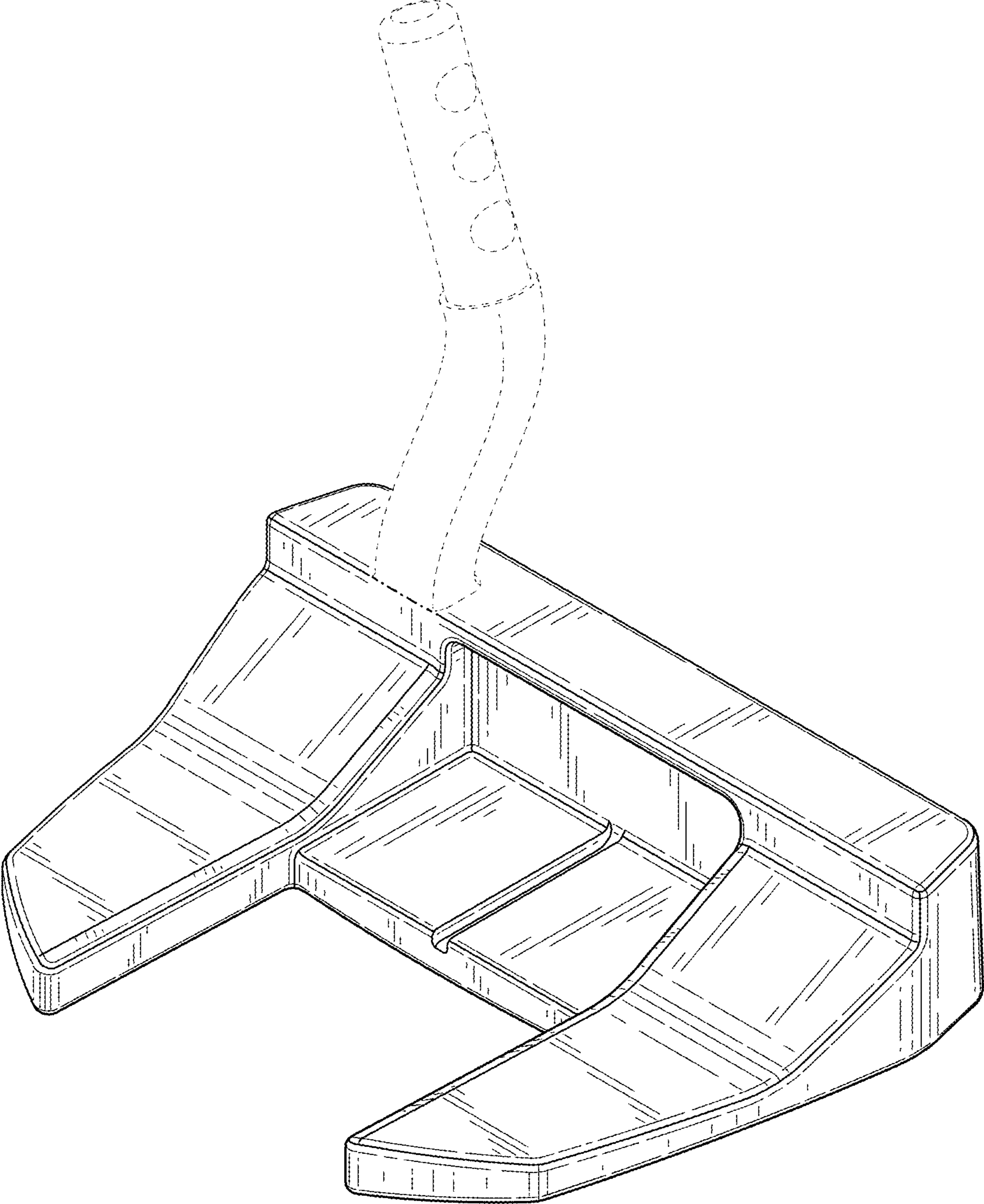


FIG. 1

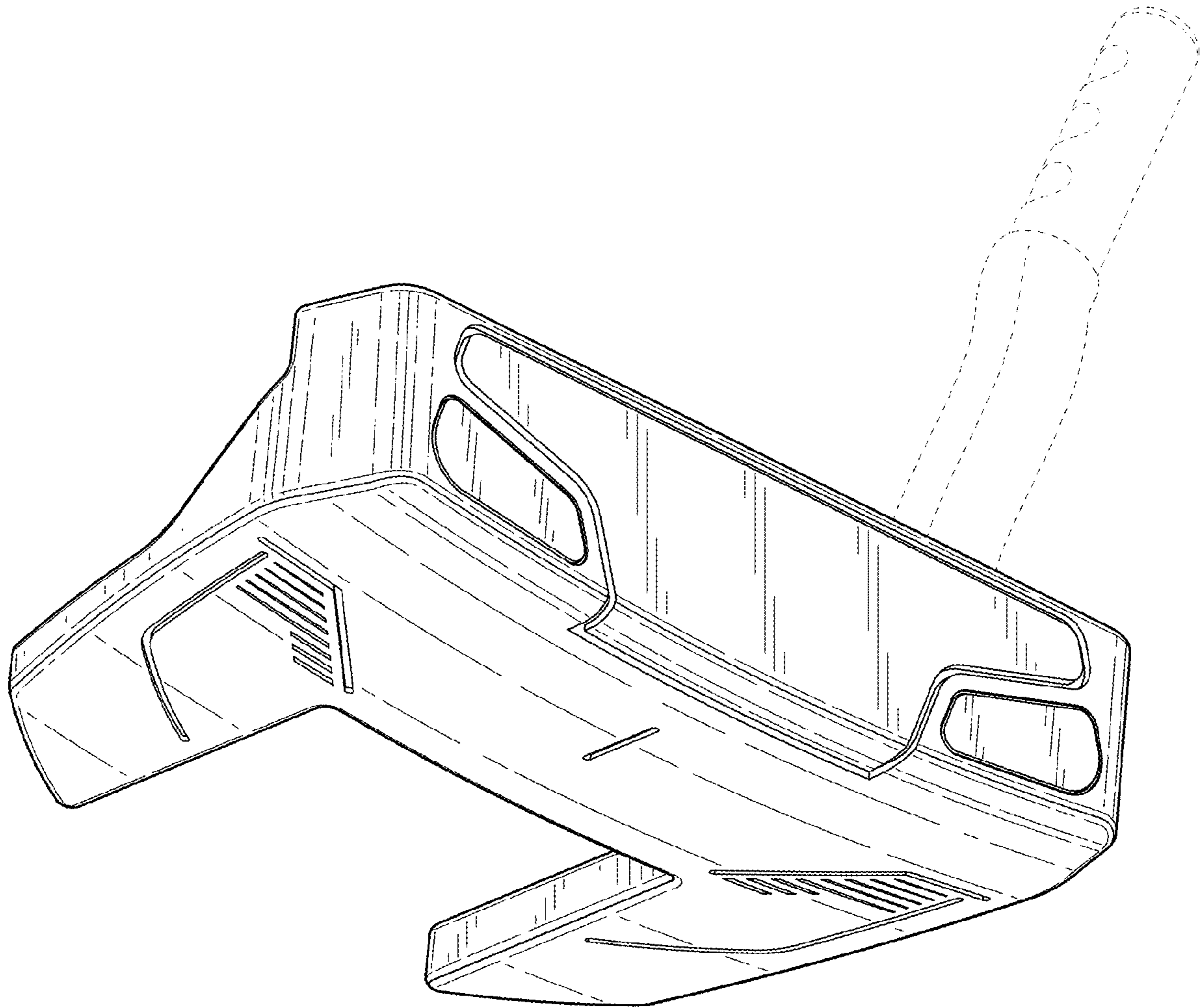


FIG. 2

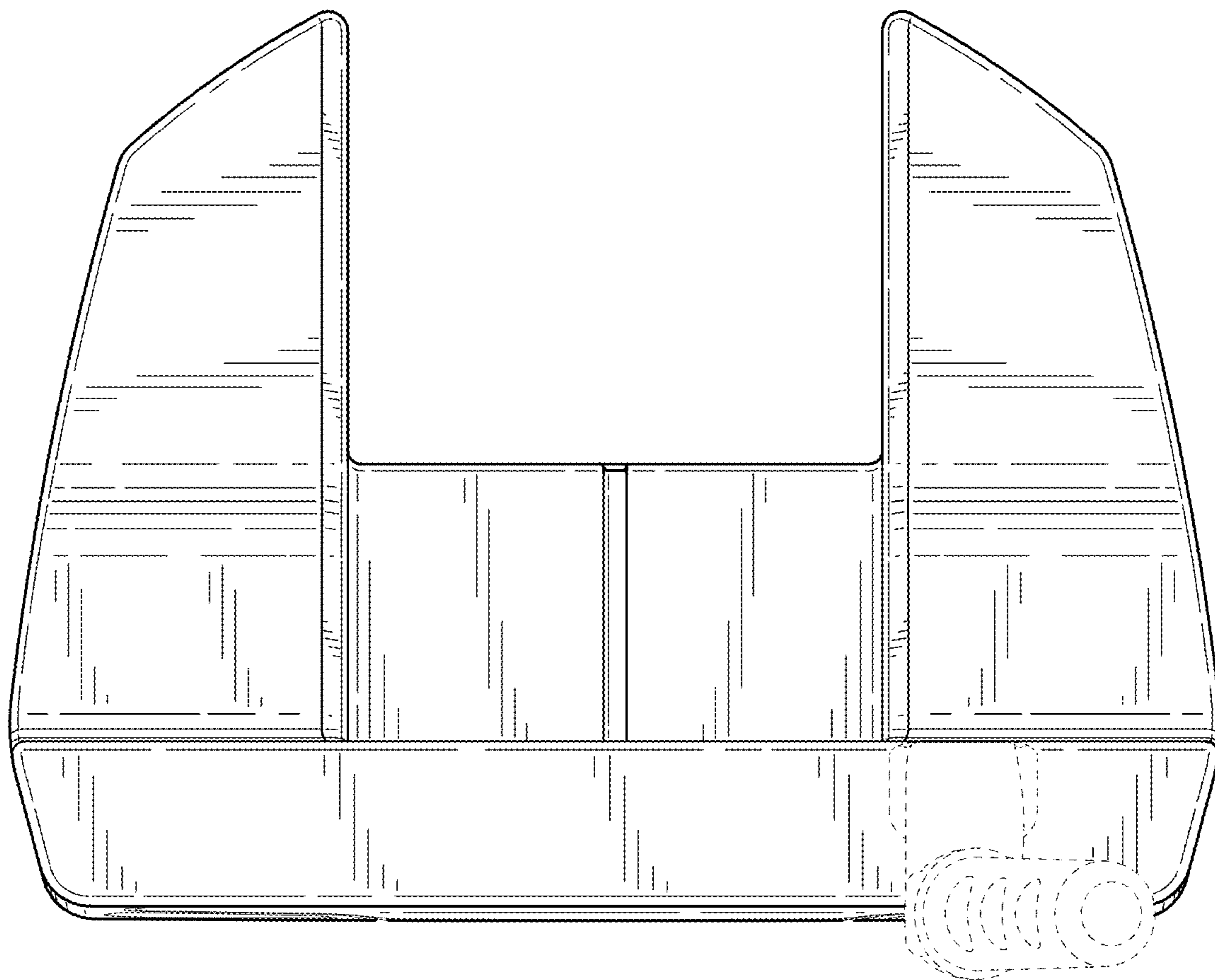


FIG. 3

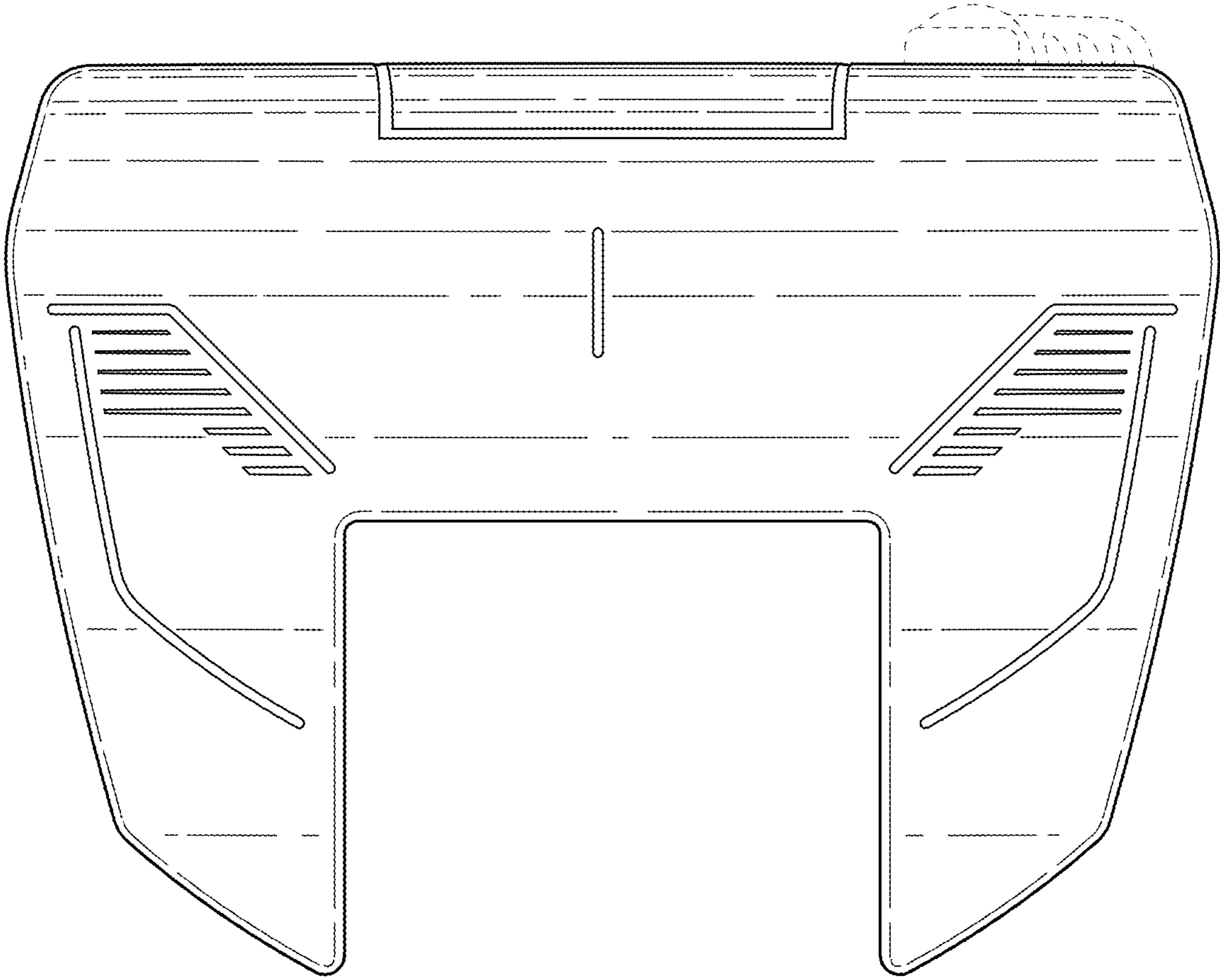


FIG. 4

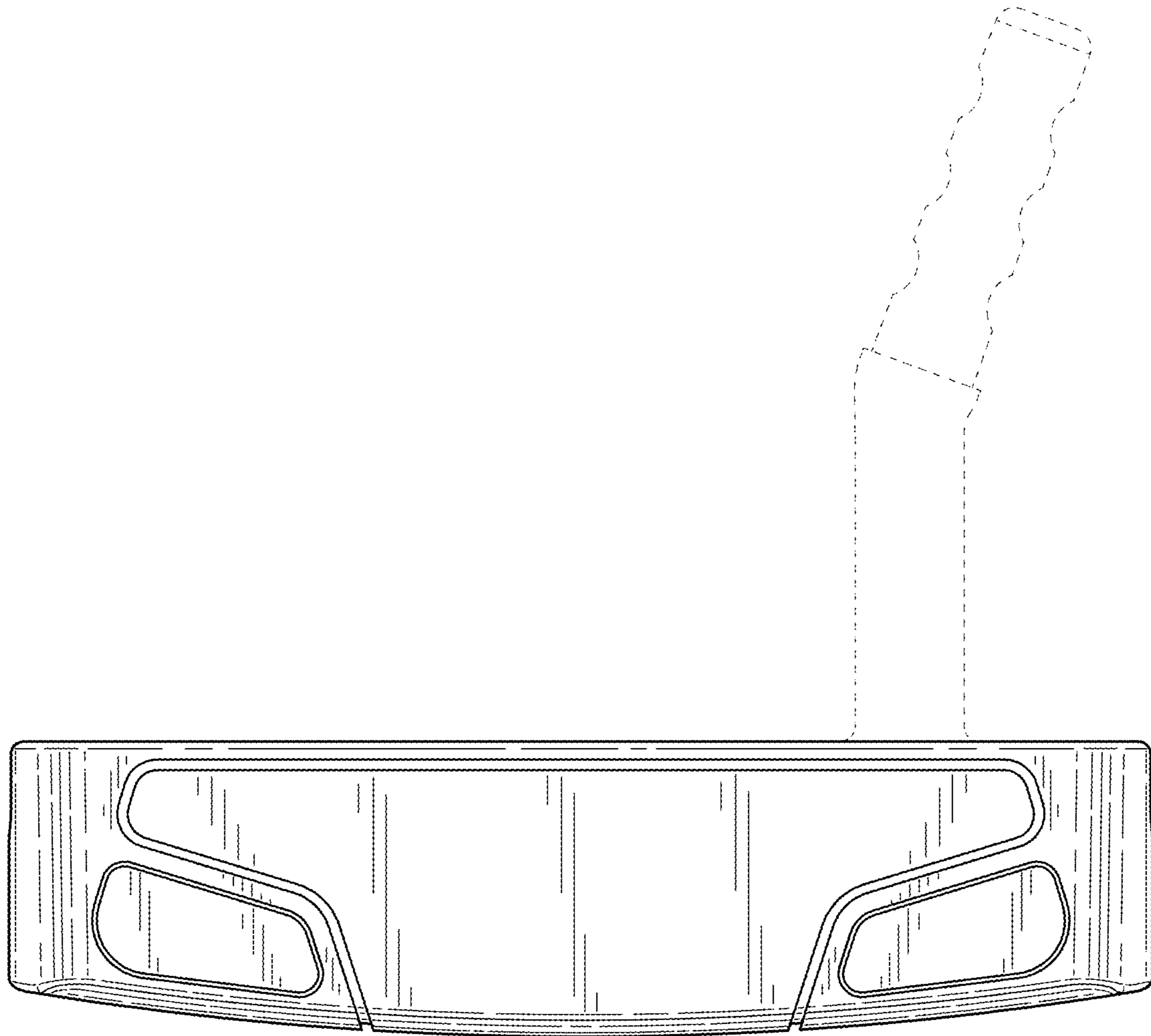


FIG. 5

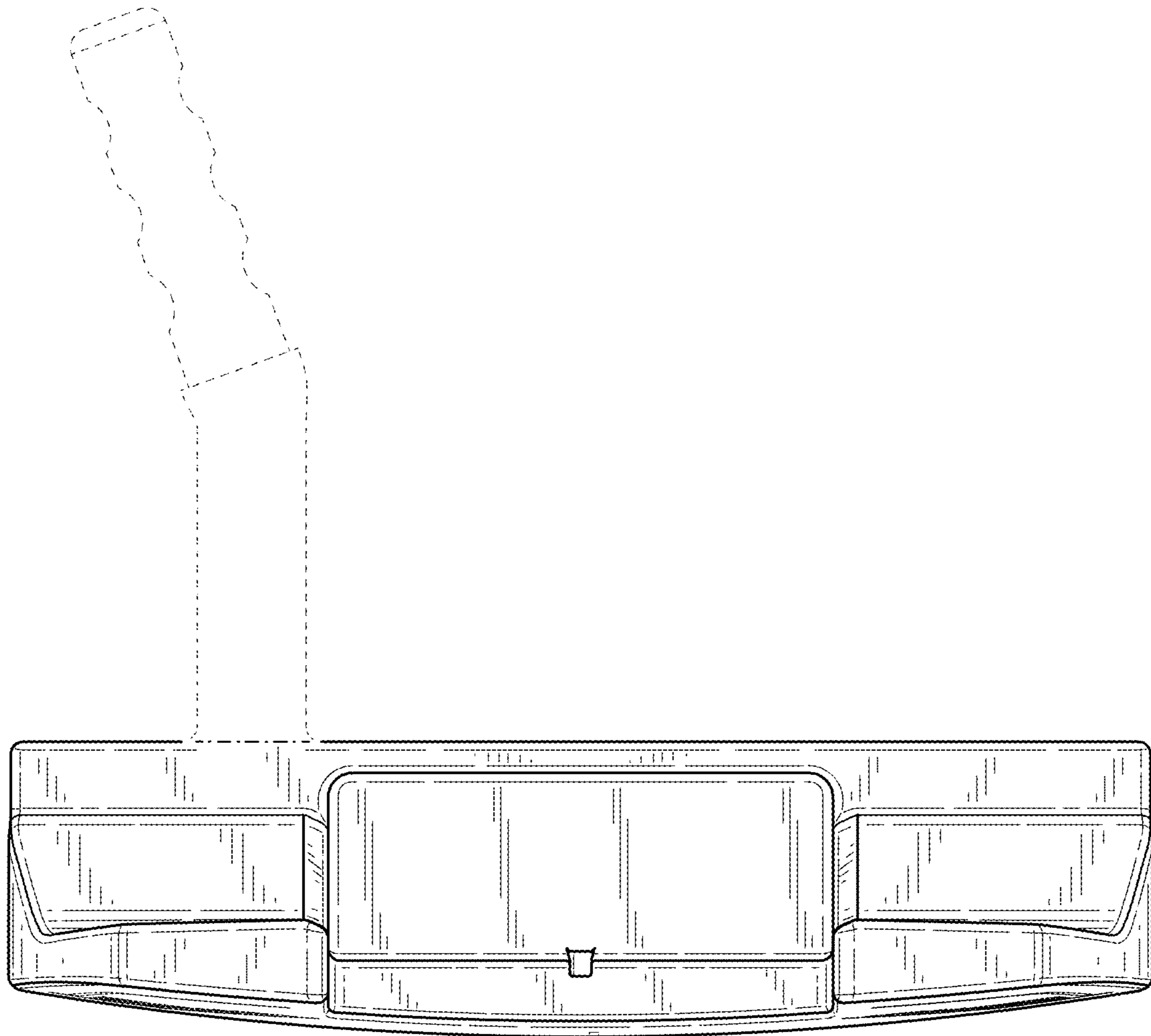


FIG. 6

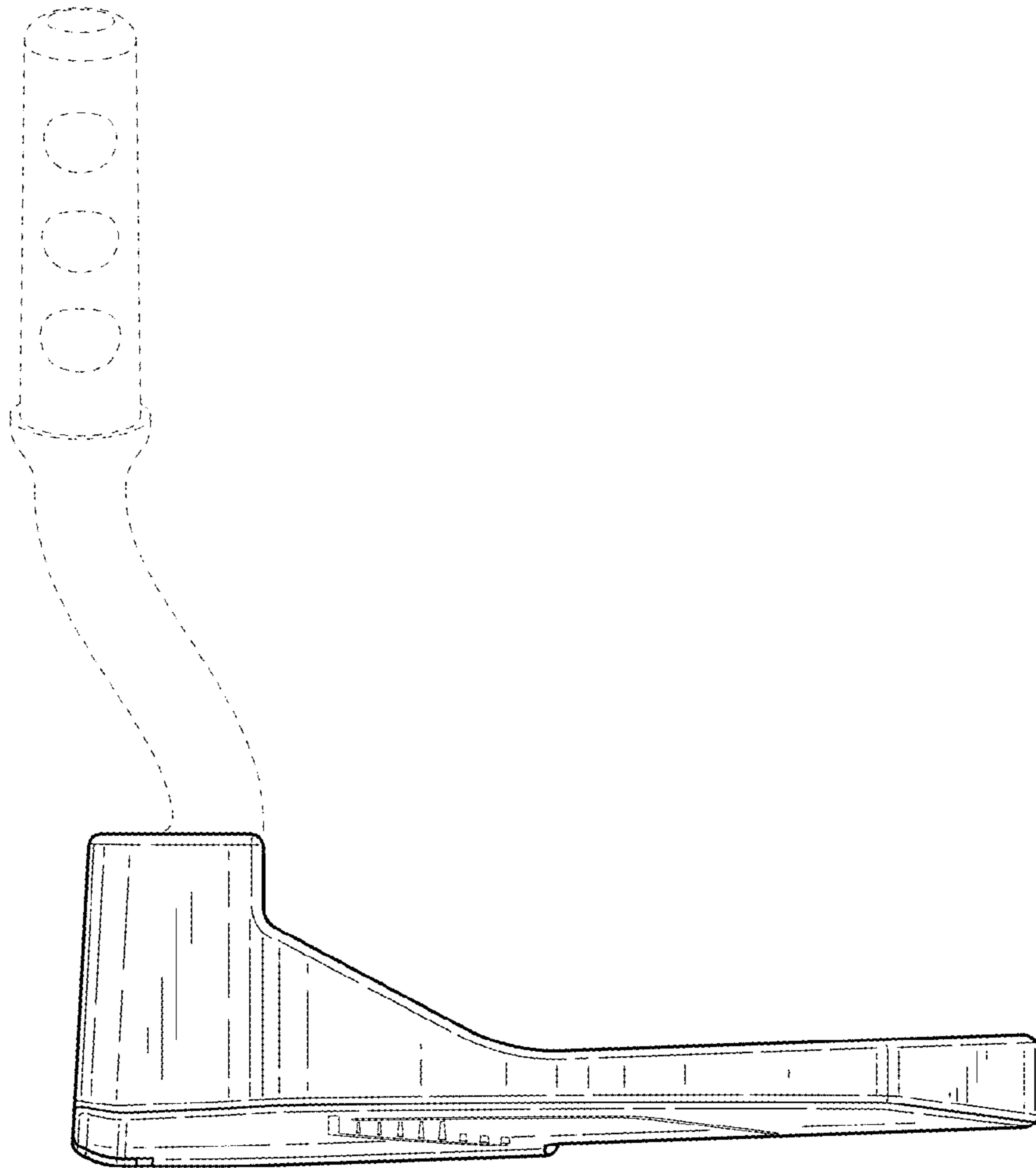


FIG. 7

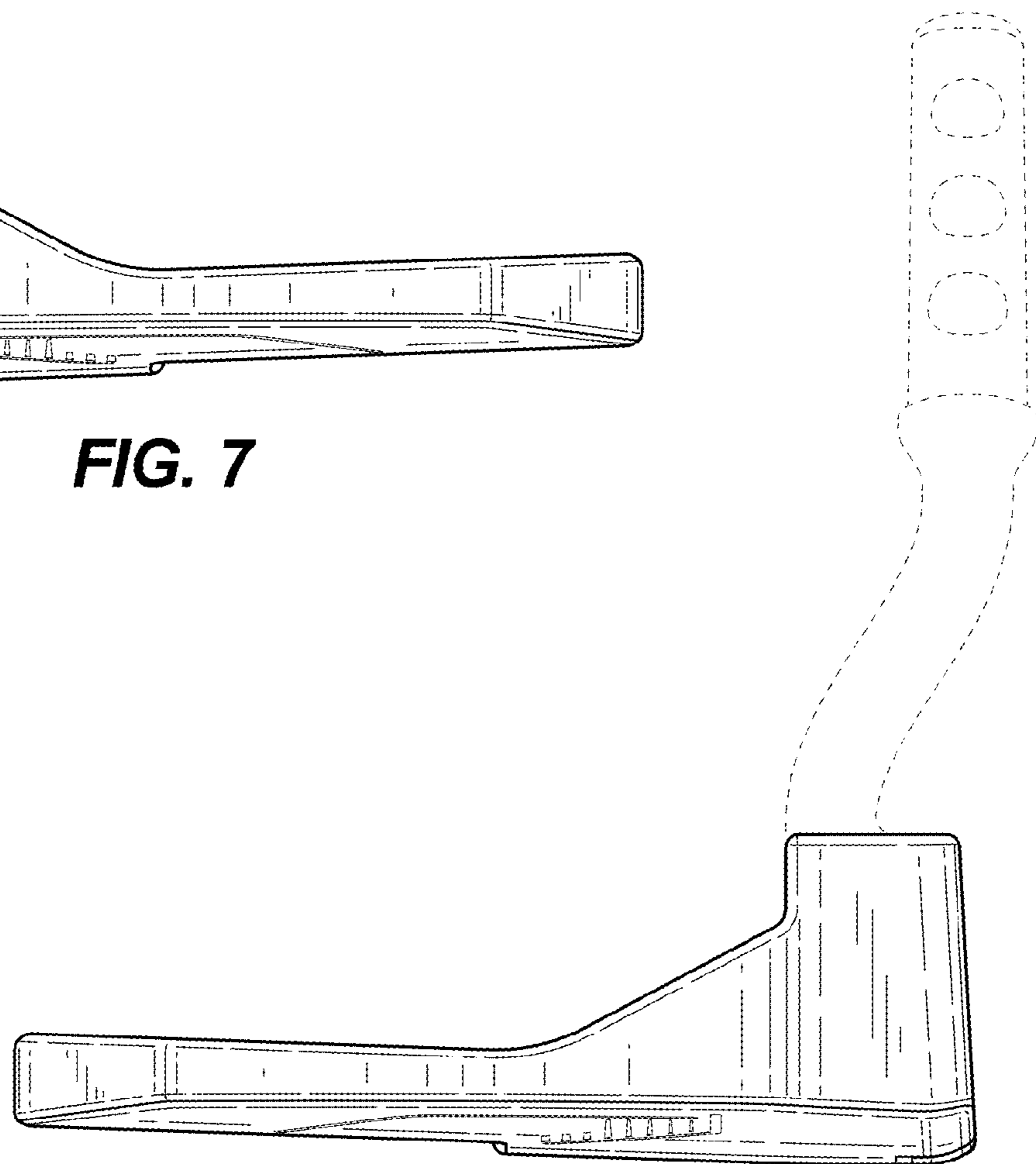


FIG. 8

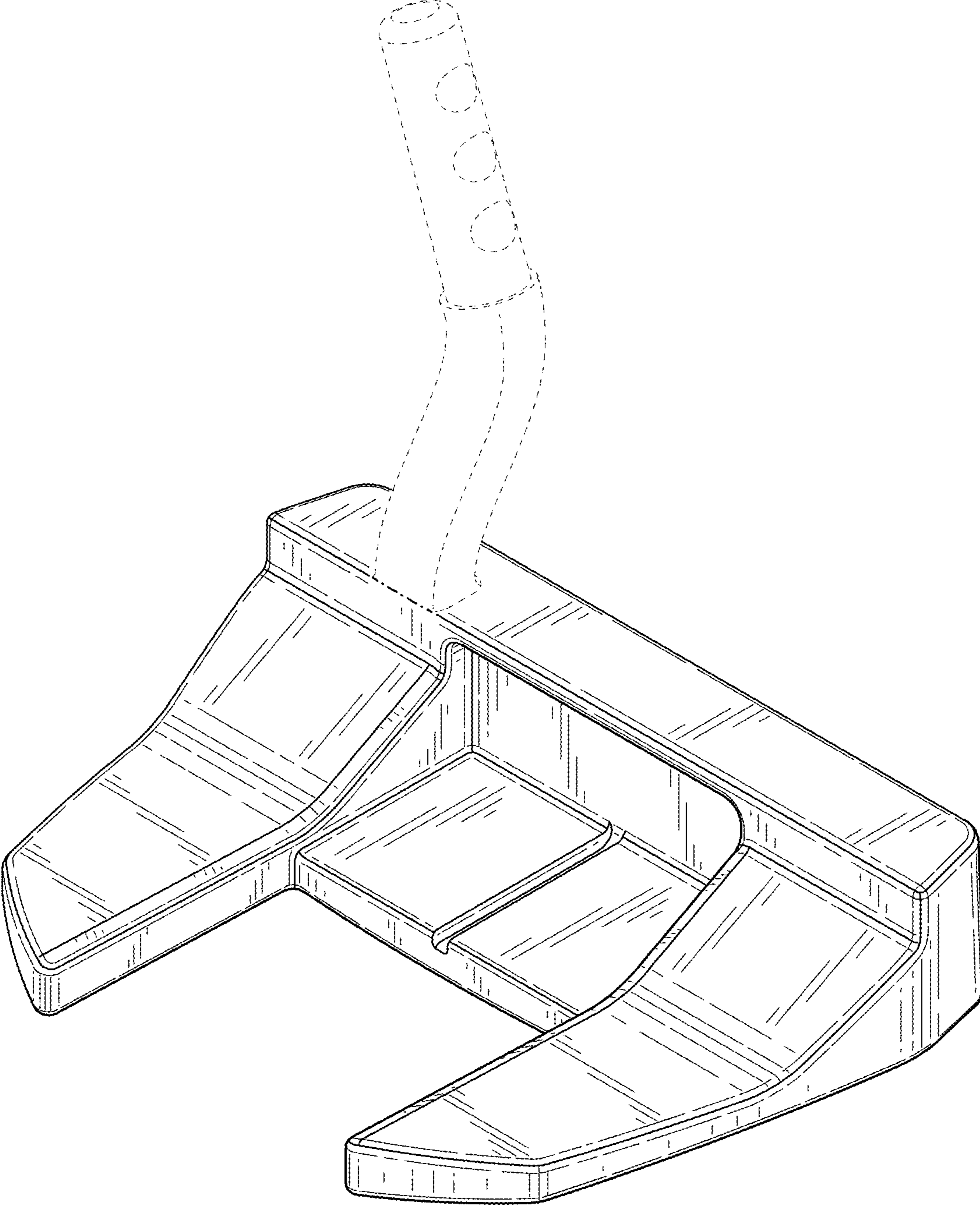


FIG. 9

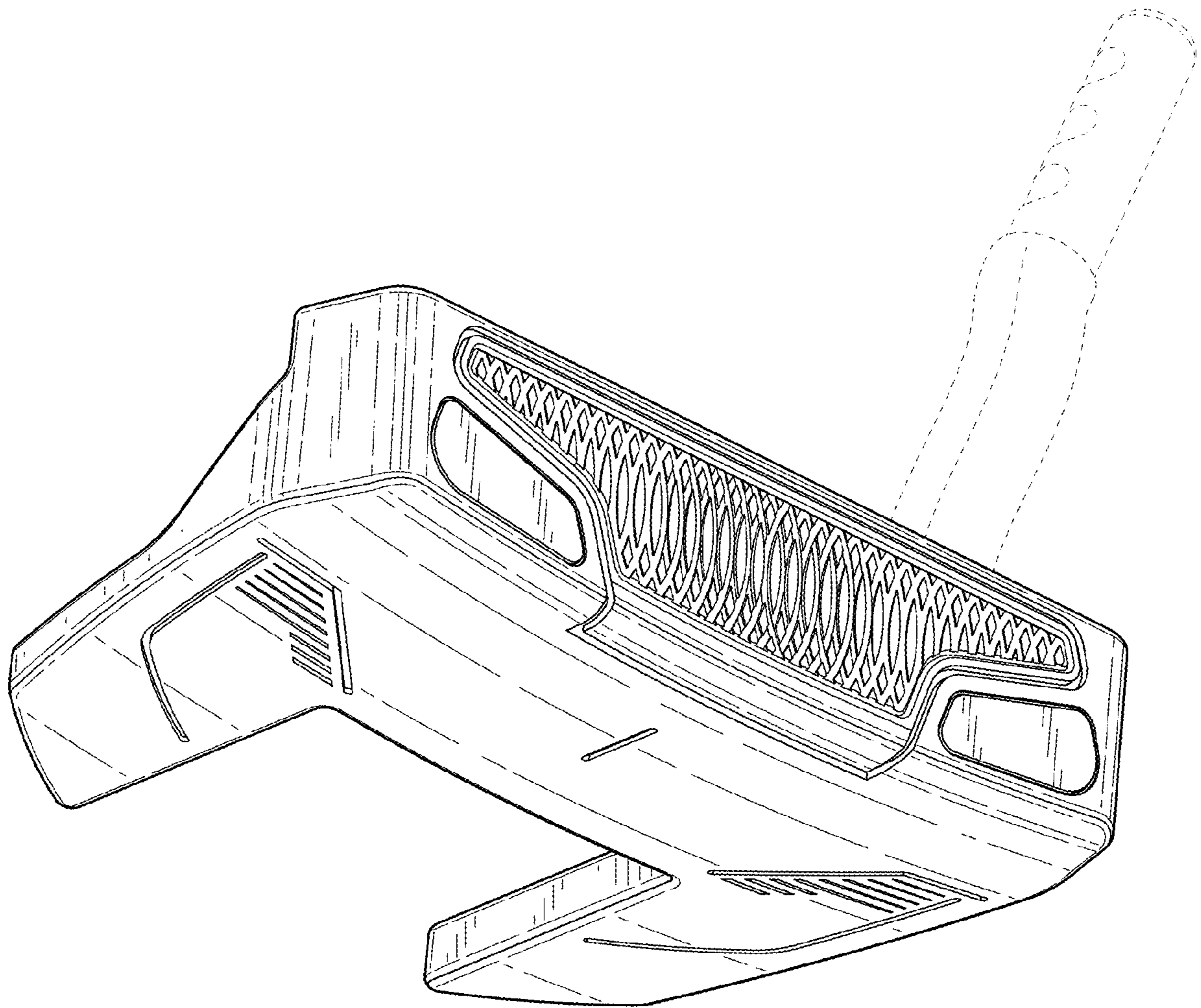


FIG. 10

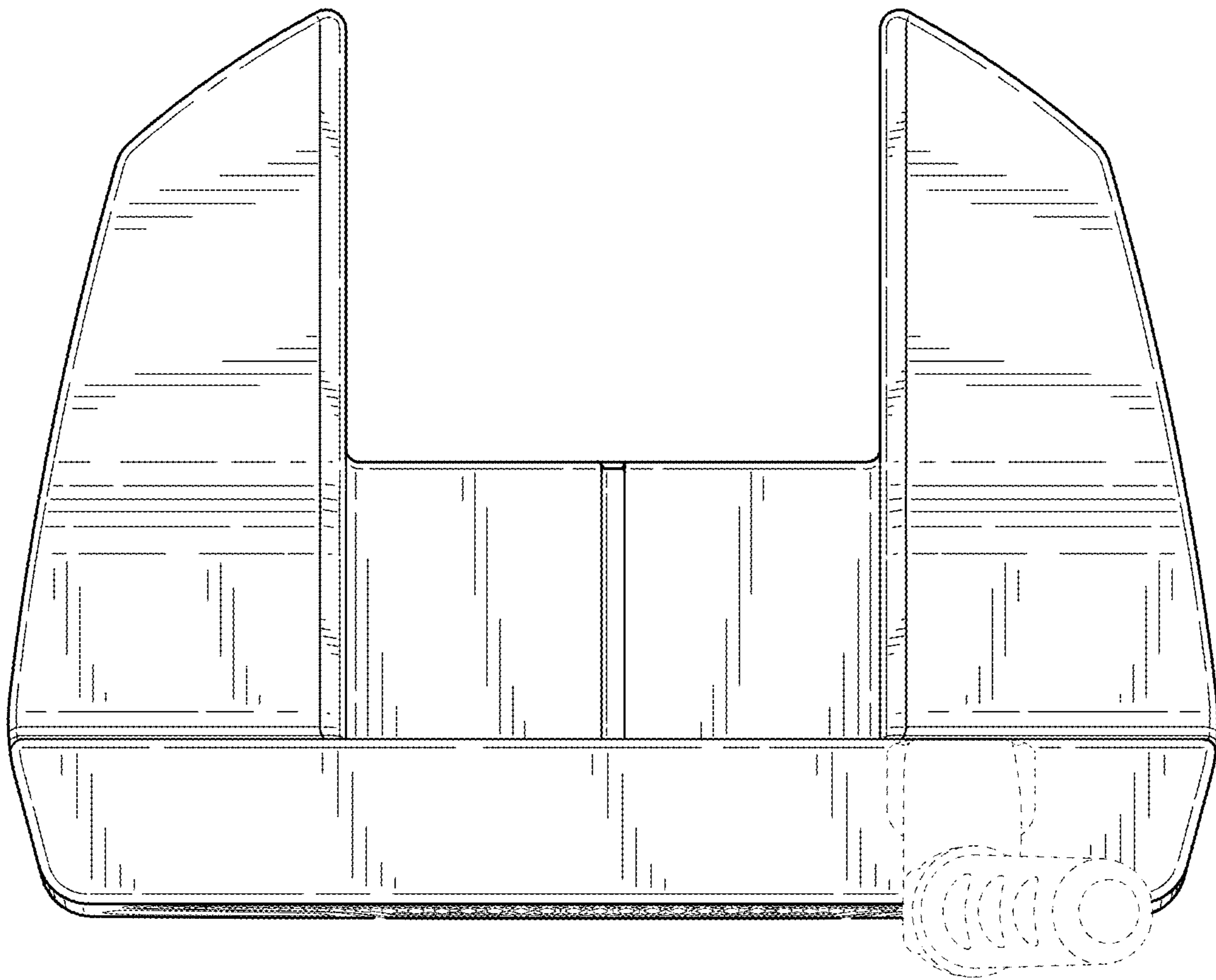


FIG. 11

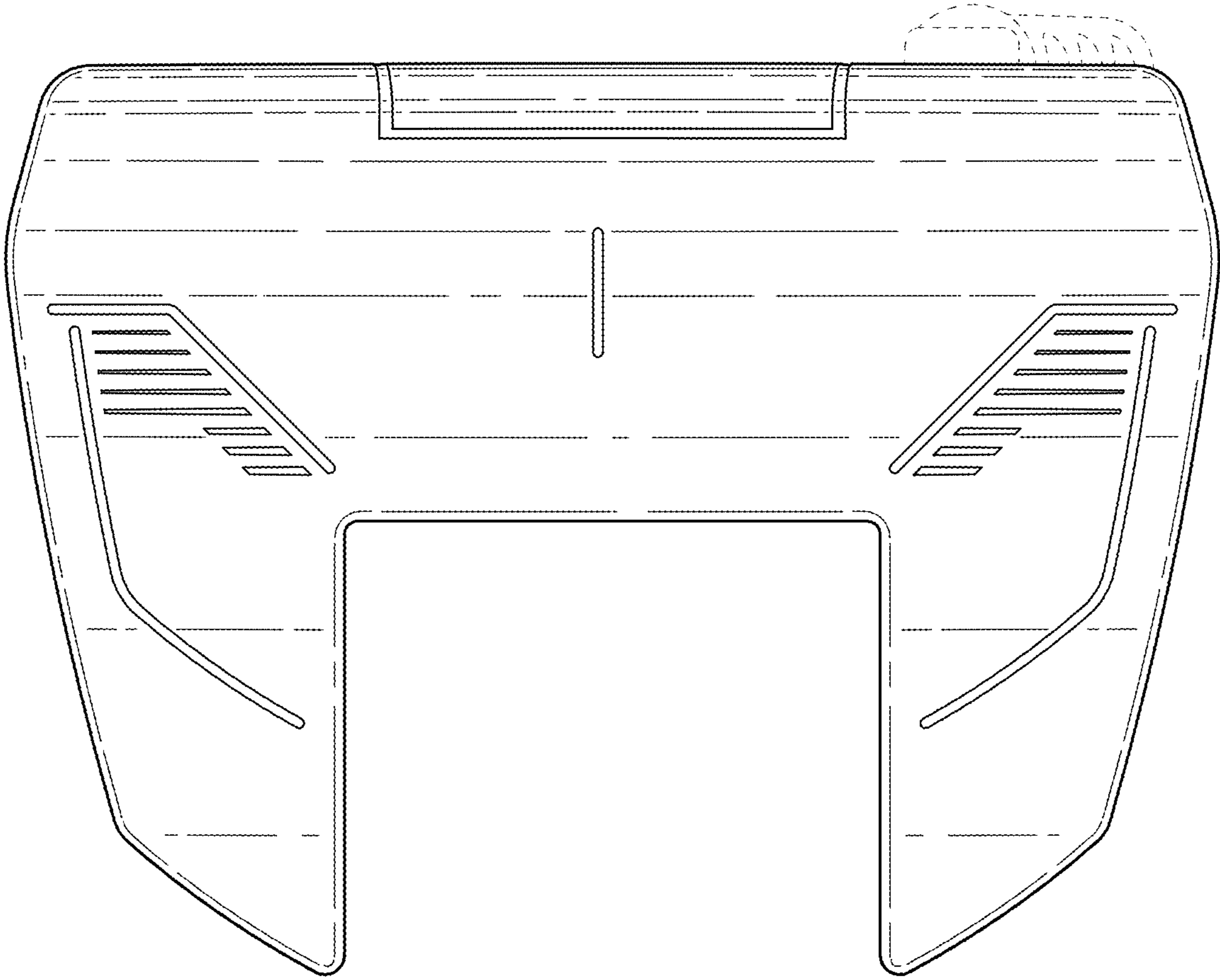


FIG. 12

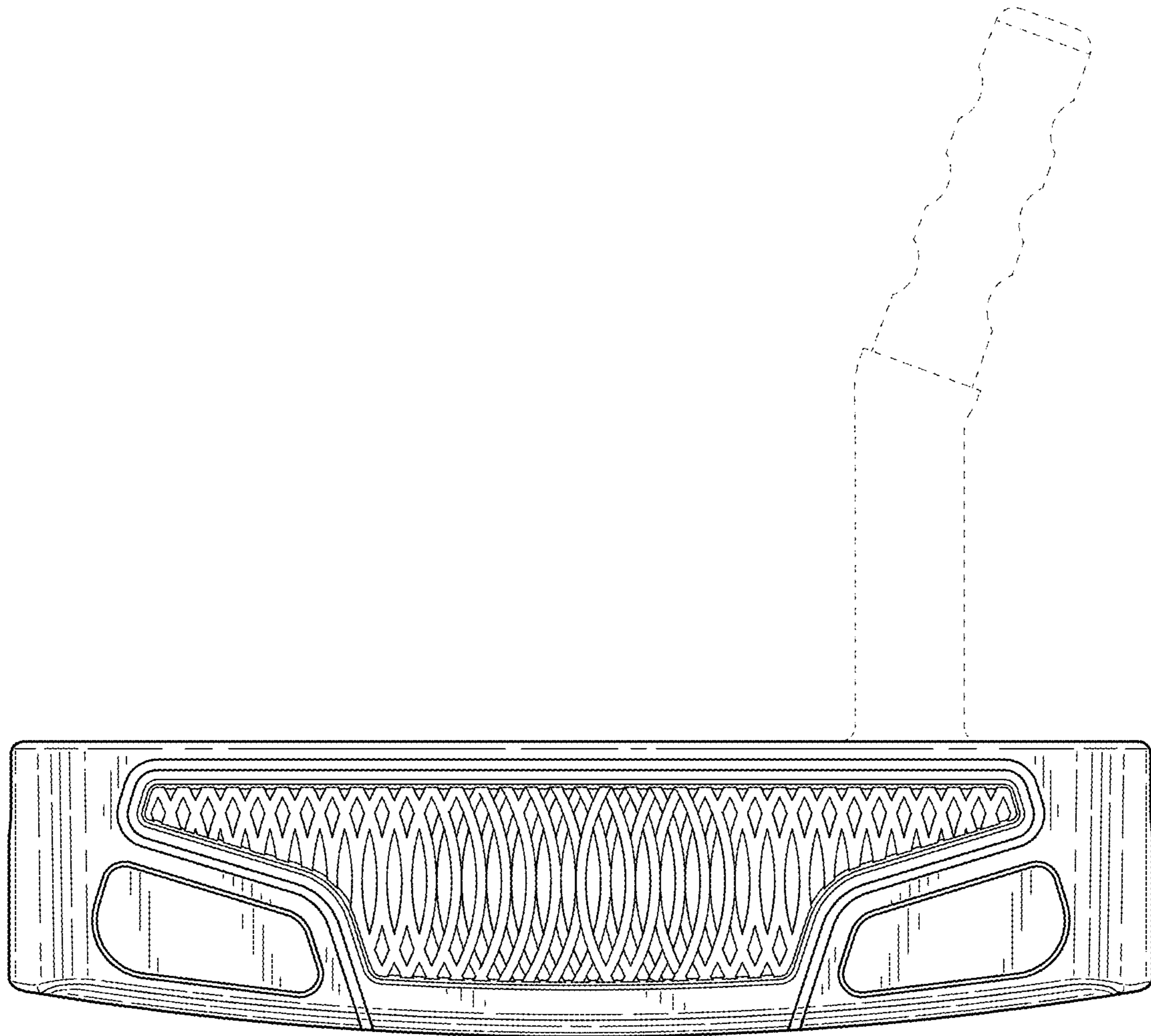


FIG. 13

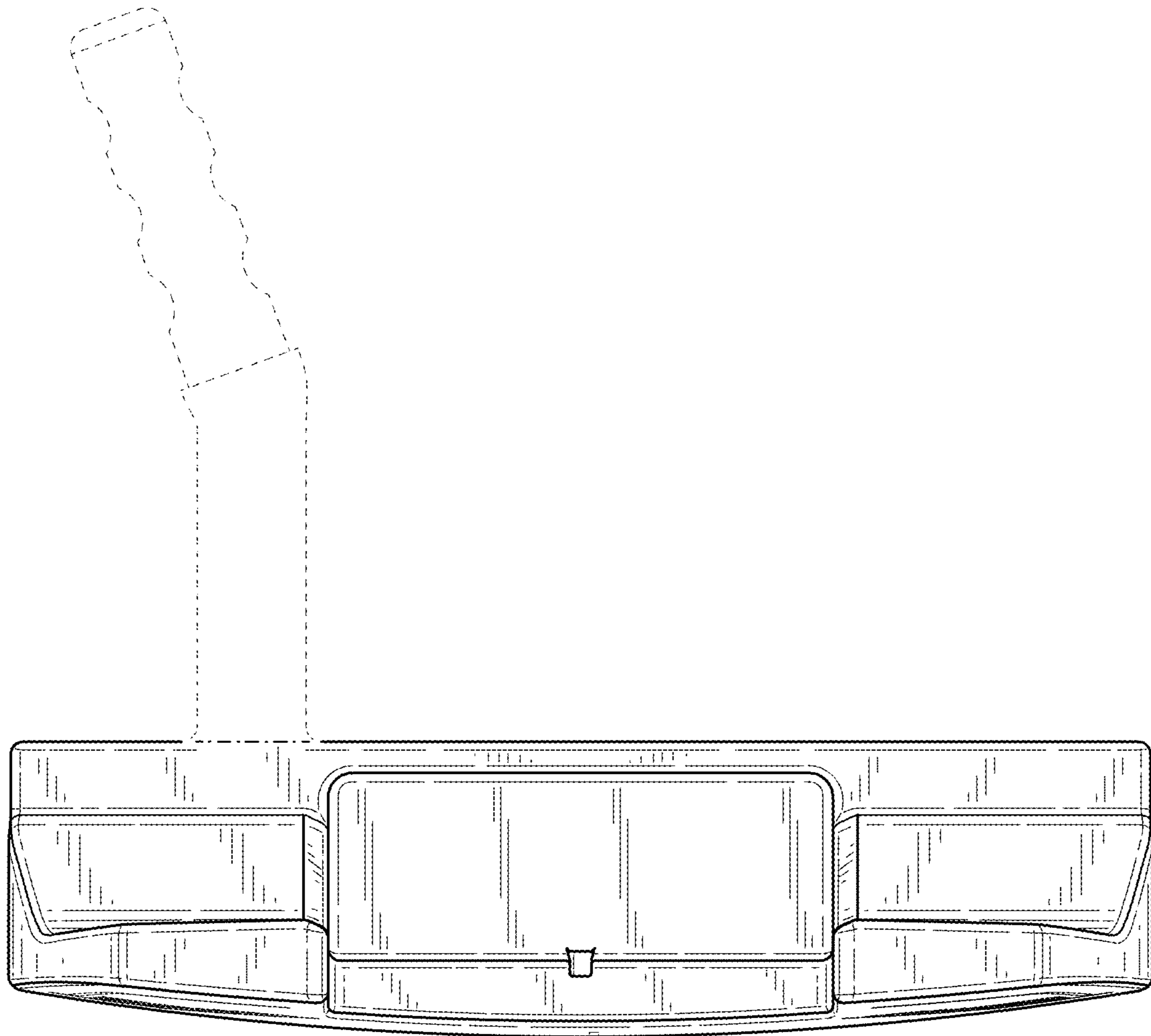


FIG. 14

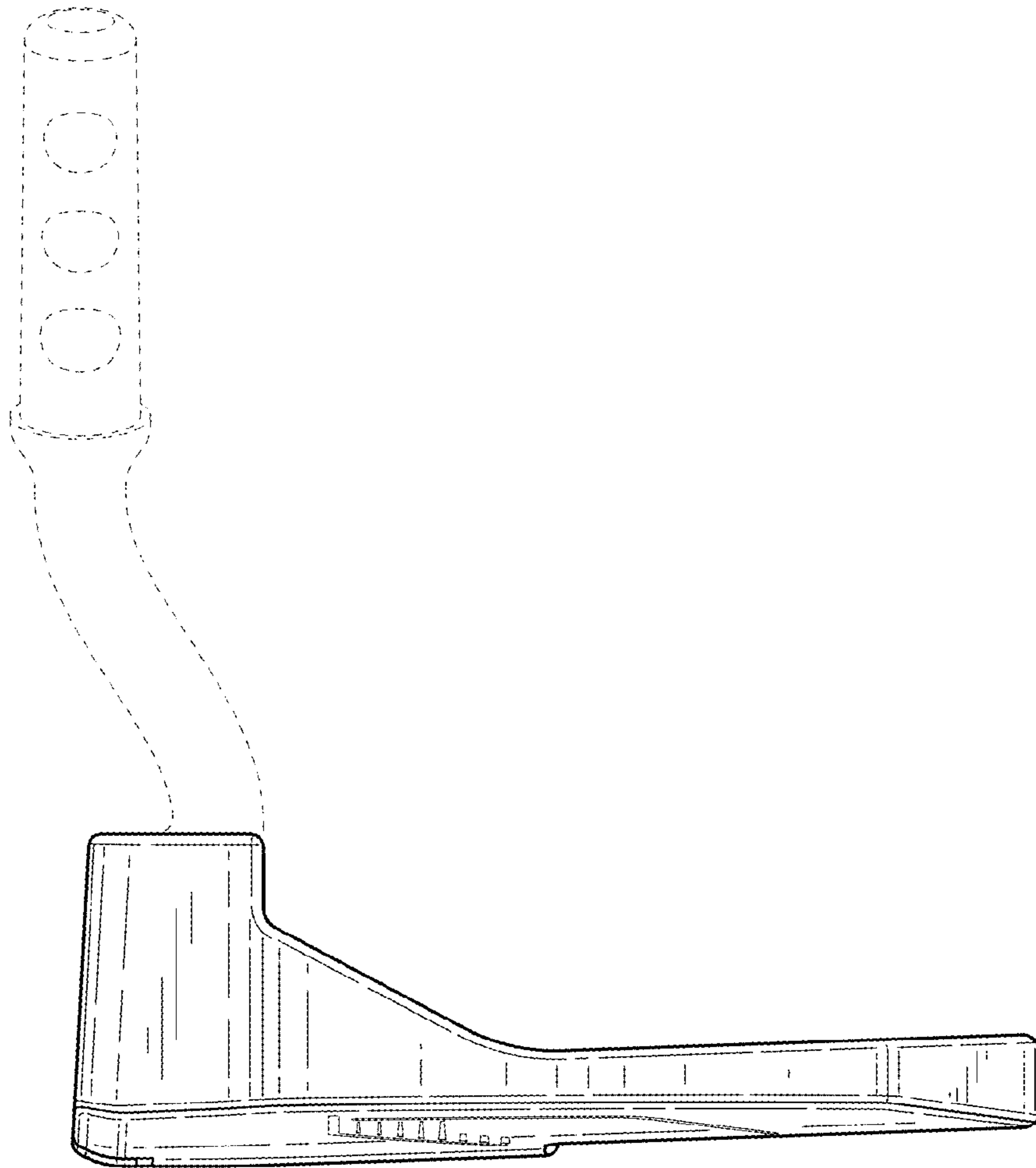


FIG. 15

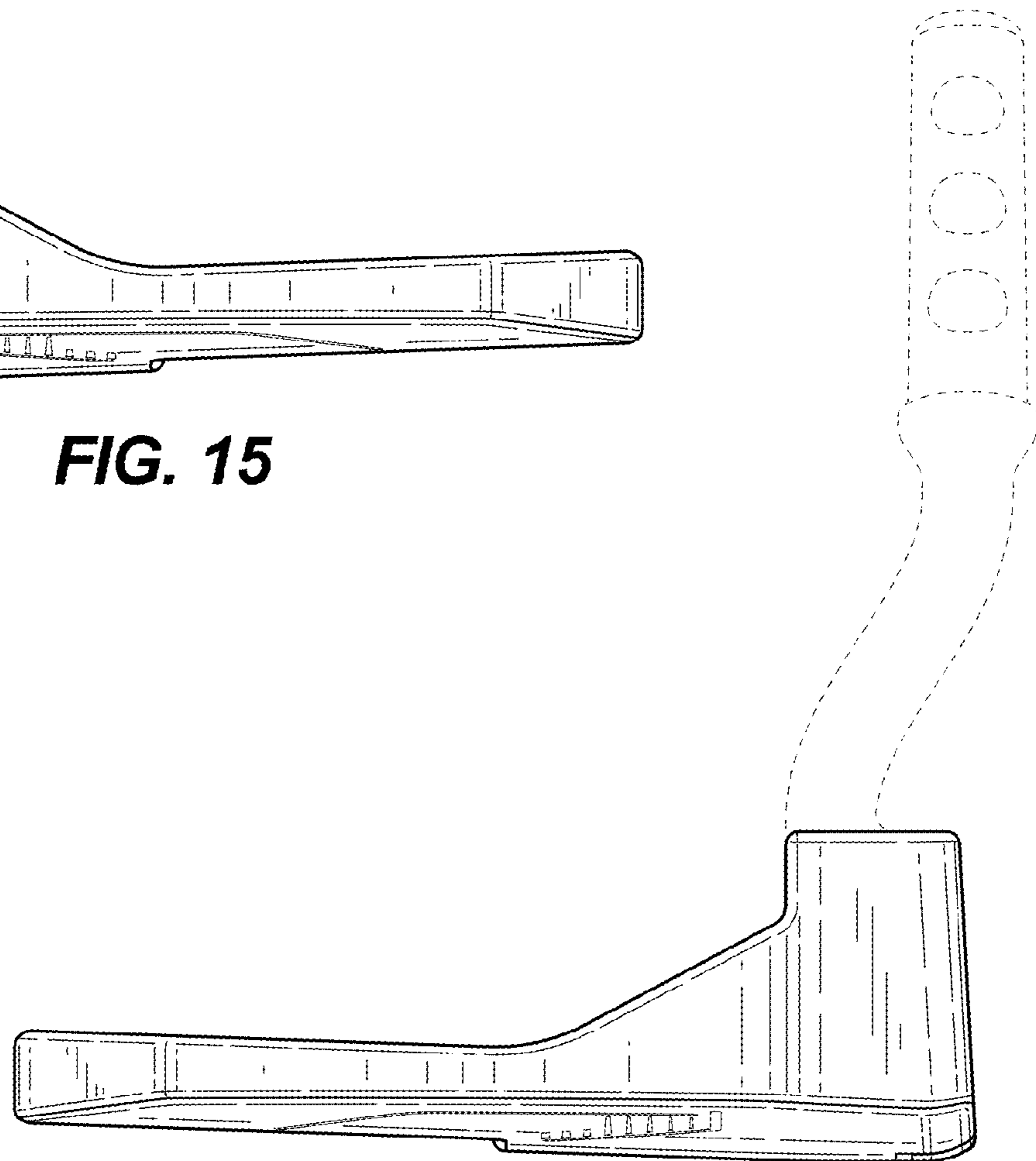


FIG. 16