



US00D930092S

(12) **United States Design Patent**
Everett

(10) **Patent No.:** **US D930,092 S**

(45) **Date of Patent:** **** Sep. 7, 2021**

(54) **DOOR MOUNTED EXERCISE APPARATUS**

(71) Applicant: **Roy Lee Everett**, Moreno Valley, CA
(US)

(72) Inventor: **Roy Lee Everett**, Moreno Valley, CA
(US)

(**) Term: **15 Years**

(21) Appl. No.: **29/681,764**

(22) Filed: **Feb. 27, 2019**

(51) **LOC (13) Cl.** **21-02**

(52) **U.S. Cl.**
USPC **D21/682**

(58) **Field of Classification Search**
USPC D21/662, 683, 684, 685, 692, 694;
D24/189, 190, 212; D28/9, 63; D32/35,
D32/40; D3/215, 228; D30/152, 153;
D17/20; D11/200; D29/101.1; D16/237
CPC A61B 17/1322; A63B 21/00181; A63B
21/018

See application file for complete search history.

(56) **References Cited**

U.S. PATENT DOCUMENTS

- 370,055 A * 9/1887 Haley A61F 5/026
2/45
- 1,336,910 A * 4/1920 MacFadden A61H 1/0218
482/131
- 1,663,641 A * 3/1928 Smallwood A63B 21/0004
482/124
- 1,904,480 A * 4/1933 Leffert A47D 15/008
128/875
- 3,088,438 A * 5/1963 Oliphant A01K 27/004
119/770
- 3,108,589 A * 10/1963 Staggs A61F 5/3738
602/4
- 3,556,091 A * 1/1971 Haig A61F 5/019
602/30
- D245,537 S * 8/1977 Gurgiolo D24/190

- D267,425 S * 12/1982 Therrien D24/180
- 4,396,091 A * 8/1983 Anderson A62B 35/0068
182/3
- D272,867 S * 3/1984 Gwaltney 224/191
- 4,479,267 A * 10/1984 Radowsky, Jr. ... A62B 35/0006
2/337

D277,218 S 1/1985 Hinds
(Continued)

Primary Examiner — Cynthia Ramirez

Assistant Examiner — Michael A Maharajh

(74) *Attorney, Agent, or Firm* — Kirk A. Buhler; Buhler
& Associates Patenting

(57) **CLAIM**

The ornamental design for a door mounted exercise apparatus, as shown and described.

DESCRIPTION

FIG. 1 is a top perspective view of a door mounted exercise apparatus, with a hook and loop fastener securing the apparatus around the door showing my new design in its environment of use;

FIG. 2 is a left side elevation view, the right side elevation view being a mirror image thereof;

FIG. 3 is a rear elevation view thereof;

FIG. 4 is a front elevation view thereof;

FIG. 5 is an alternate front elevation view thereof;

FIG. 6 is a top plan view thereof;

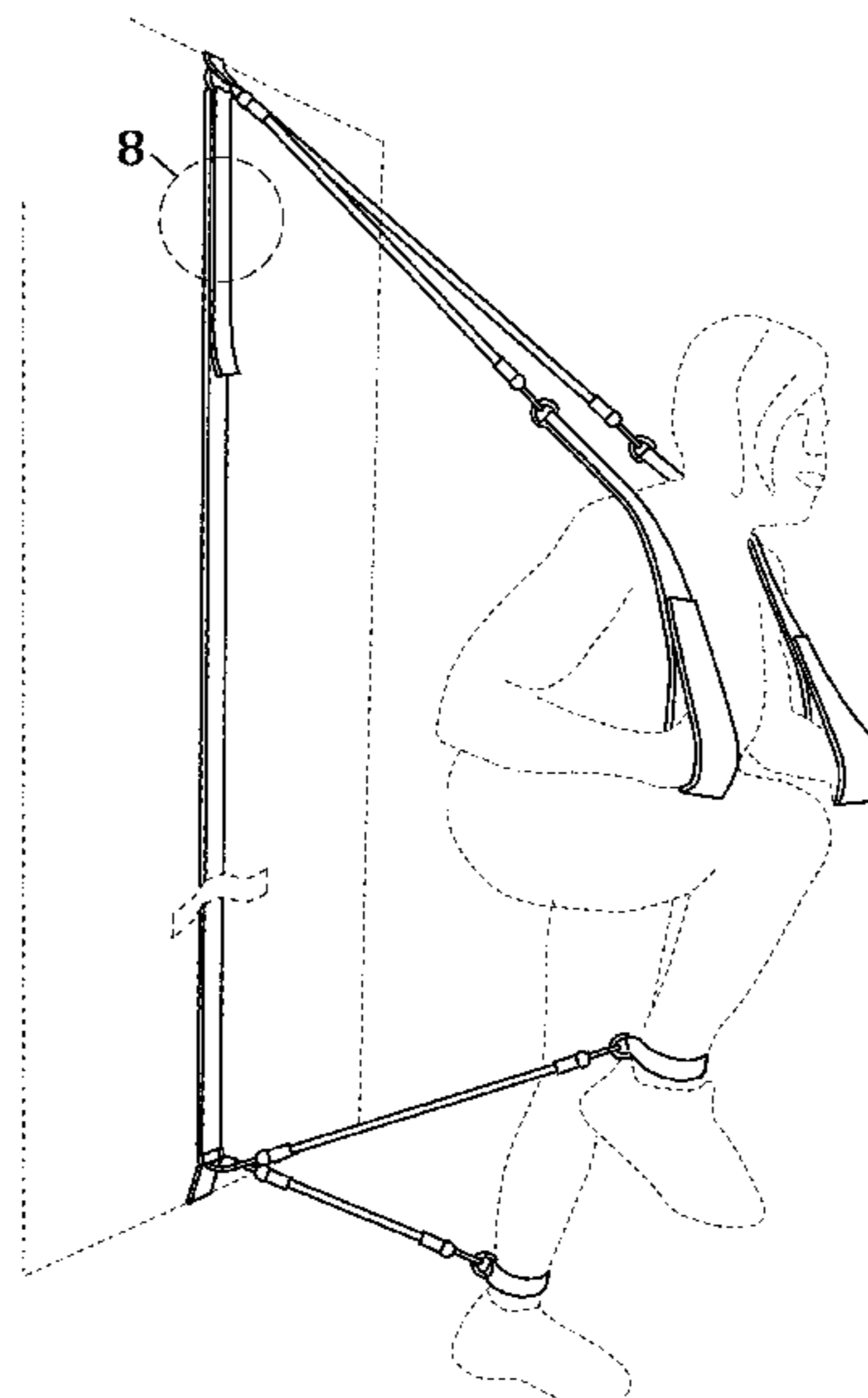
FIG. 7 is a bottom view thereof; and,

FIG. 8 is a partially enlarged front perspective view thereof, taken from FIG. 1.

The portion of the strap that attaches to the door shown in broken lines is for the purpose of illustrating portions of the door mounted exercise apparatus, which forms no part of the claimed design.

The door and figure shown in broken lines in the drawings are for the purpose of illustrating environmental structure, which form no part of the claimed design.

1 Claim, 5 Drawing Sheets



(56)

References Cited

U.S. PATENT DOCUMENTS

- 4,526,164 A * 7/1985 Bihl A61F 5/3738
602/4
- D284,326 S * 6/1986 Roney D29/101.1
- D293,139 S * 12/1987 Roa D30/152
- D300,474 S * 3/1989 Caulder D29/101.1
- 4,909,232 A * 3/1990 Carella A63B 21/0004
124/35.1
- 4,909,505 A * 3/1990 Tee A63B 21/00043
482/121
- D311,232 S * 10/1990 Drennan D21/692
- 5,069,449 A * 12/1991 Wardwell A63B 23/18
482/13
- 5,205,803 A * 4/1993 Zemitis A63B 21/0552
482/121
- 5,254,065 A * 10/1993 Pollock A63B 21/154
482/129
- D348,706 S 7/1994 Harrell
- 5,411,461 A * 5/1995 Thomascik A63C 3/00
280/1.5
- D360,440 S * 7/1995 Banks D21/662
- D366,555 S * 1/1996 Daniels D24/190
- D373,803 S * 9/1996 Winans D21/684
- D373,826 S * 9/1996 Pujals, Jr. D24/190
- 5,588,941 A * 12/1996 Scott A61H 1/0218
482/131
- D384,776 S * 10/1997 Webster D29/100
- D390,001 S * 2/1998 Lovelady D3/221
- 5,713,821 A * 2/1998 Nissen A63B 21/154
482/114
- 5,816,460 A * 10/1998 Cook A45C 1/04
224/260
- D407,134 S * 3/1999 Lively D22/100
- D415,351 S * 10/1999 Wang D3/327
- D434,535 S * 11/2000 Koch D30/152
- D437,623 S * 2/2001 Ormsby D21/662
- D440,652 S * 4/2001 Pollard D24/110.1
- D451,569 S * 12/2001 Marx D21/804
- D459,772 S * 7/2002 Meldeau D21/662
- D460,623 S * 7/2002 Vatter D3/327
- D461,693 S * 8/2002 Khubani D8/22
- 6,428,495 B1 * 8/2002 Lynott A61F 5/3715
128/875
- D463,325 S * 9/2002 Savoia D11/200
- 6,450,930 B1 * 9/2002 Kroke A61H 1/0255
482/121
- 6,475,125 B1 * 11/2002 Roberts A63B 43/007
482/121
- D471,006 S * 3/2003 French D3/221
- D471,633 S * 3/2003 Brown D24/190
- D476,357 S * 6/2003 Gresco D17/20
- D479,554 S * 9/2003 Boron D17/20
- D488,523 S * 4/2004 Hamlin D21/683
- D488,924 S * 4/2004 Miller D3/228
- 6,726,606 B2 * 4/2004 Jacobsen A63B 21/0552
482/121
- D499,553 S * 12/2004 Millard D3/327
- 6,840,894 B2 * 1/2005 Lerner A63B 21/0552
482/121
- 6,899,720 B1 * 5/2005 McMillan A61B 17/1322
606/203
- 6,908,418 B2 6/2005 Saure
- D512,910 S * 12/2005 Haslam D9/434
- D513,034 S * 12/2005 Boron D17/20
- D541,190 S * 4/2007 Plzak D11/200
- D556,330 S * 11/2007 Auerbach D24/190
- D609,410 S * 2/2010 Labelson D30/153
- D609,758 S * 2/2010 Baldwin D21/662
- D616,509 S * 5/2010 Perez D21/692
- D631,924 S * 2/2011 Baldwin D21/662
- D650,451 S 12/2011 Olson et al.
- 8,083,653 B2 * 12/2011 Hetrick A63B 21/1663
482/91
- D667,901 S 9/2012 Garcia Chavez
- D691,651 S * 10/2013 Kim D16/242
- D691,809 S * 10/2013 Palevac D3/327
- D703,824 S * 4/2014 Ferguson, Jr. D24/190
- D707,961 S * 7/2014 Surlaya D3/224
- D712,555 S * 9/2014 Berg D24/190
- D713,996 S * 9/2014 Collett D29/101.1
- D714,540 S * 10/2014 Barlet D3/215
- D719,303 S * 12/2014 Anderson D29/124
- D720,894 S * 1/2015 Calkin D29/124
- D734,591 S * 7/2015 Jirsa D2/700
- 9,138,608 B2 * 9/2015 Medina A63B 21/065
- D742,461 S * 11/2015 Baldwin D21/662
- D743,480 S * 11/2015 Stevenson D17/20
- D755,981 S * 5/2016 Shamaingar D24/190
- D760,440 S * 6/2016 Lifshitz D29/101.1
- D760,448 S * 6/2016 Ceconato D30/152
- D761,924 S * 7/2016 Sato D21/662
- D768,956 S * 10/2016 Jirsa D2/700
- D776,880 S * 1/2017 Nilsson D29/101.1
- D778,615 S * 2/2017 Georges D3/327
- 9,561,397 B2 * 2/2017 Zaki A63B 21/4025
- D794,110 S * 8/2017 Swaggart D16/243
- D794,490 S * 8/2017 Lindgren D11/3
- D794,705 S * 8/2017 Corcorran D17/20
- D806,343 S * 12/2017 Hobbins D34/28
- D810,843 S * 2/2018 Karvandi D21/662
- D813,402 S * 3/2018 Irwin-Lincoln D24/190
- D813,527 S * 3/2018 Orban D3/215
- D813,960 S * 3/2018 Boruch D21/684
- D816,759 S * 5/2018 Swaggart D16/243
- D816,785 S 5/2018 Smith, Jr.
- D823,556 S * 7/2018 Yun D30/152
- D824,109 S * 7/2018 Sanders D29/101.1
- D825,111 S * 8/2018 Lenahan D29/101.1
- D831,221 S * 10/2018 Smith D24/190
- D832,460 S * 10/2018 Tien D25/68
- D851,263 S * 6/2019 Thompson D24/190
- D855,682 S * 8/2019 Cunningham D16/237
- D856,444 S * 8/2019 Karvandi D21/662
- D858,938 S * 9/2019 He D2/627
- D862,002 S * 10/2019 Wu D30/152
- D862,003 S * 10/2019 Wu D30/152
- D870,898 S * 12/2019 Sudell D24/190
- D872,200 S * 1/2020 Antezana D21/692
- D891,541 S * 7/2020 Lin D21/692
- 2001/0034291 A1 * 10/2001 Horton A63B 21/16
482/124
- 2003/0186792 A1 10/2003 Keeler
- 2005/0130812 A1 * 6/2005 DiOrio A63B 21/0023
482/91
- 2006/0264302 A1 * 11/2006 Sjodin A63B 21/1663
482/91
- 2006/0281611 A1 * 12/2006 Sato A63B 21/4025
482/148
- 2007/0027005 A1 * 2/2007 Hetrick A63B 23/0355
482/91
- 2007/0238591 A1 * 10/2007 Makofsky A63B 23/0244
482/126
- 2008/0009398 A1 * 1/2008 Grisdale A63B 21/0552
482/124
- 2008/0132392 A1 * 6/2008 Moulton A63B 23/035
482/122
- 2013/0059704 A1 * 3/2013 McCants A63B 69/0059
482/131
- 2013/0143723 A1 * 6/2013 Bender A63B 21/02
482/121
- 2013/0196833 A1 * 8/2013 Strickland A63B 21/4043
482/131
- 2014/0171275 A1 * 6/2014 Tatum A63B 21/4025
482/124
- 2014/0274613 A1 * 9/2014 DeMarco A63B 23/1236
482/139
- 2014/0342884 A1 * 11/2014 Aldridge A61H 1/0237
482/131
- 2015/0141216 A1 * 5/2015 Gvoich A63B 21/00043
482/126

(56)

References Cited

U.S. PATENT DOCUMENTS

2015/0209052 A1* 7/2015 Hopman A61B 17/1327
606/203
2015/0231438 A1* 8/2015 Romero Urias . A63B 21/00185
482/131
2016/0199683 A1* 7/2016 Shamlin A63B 21/4015
482/130

* cited by examiner

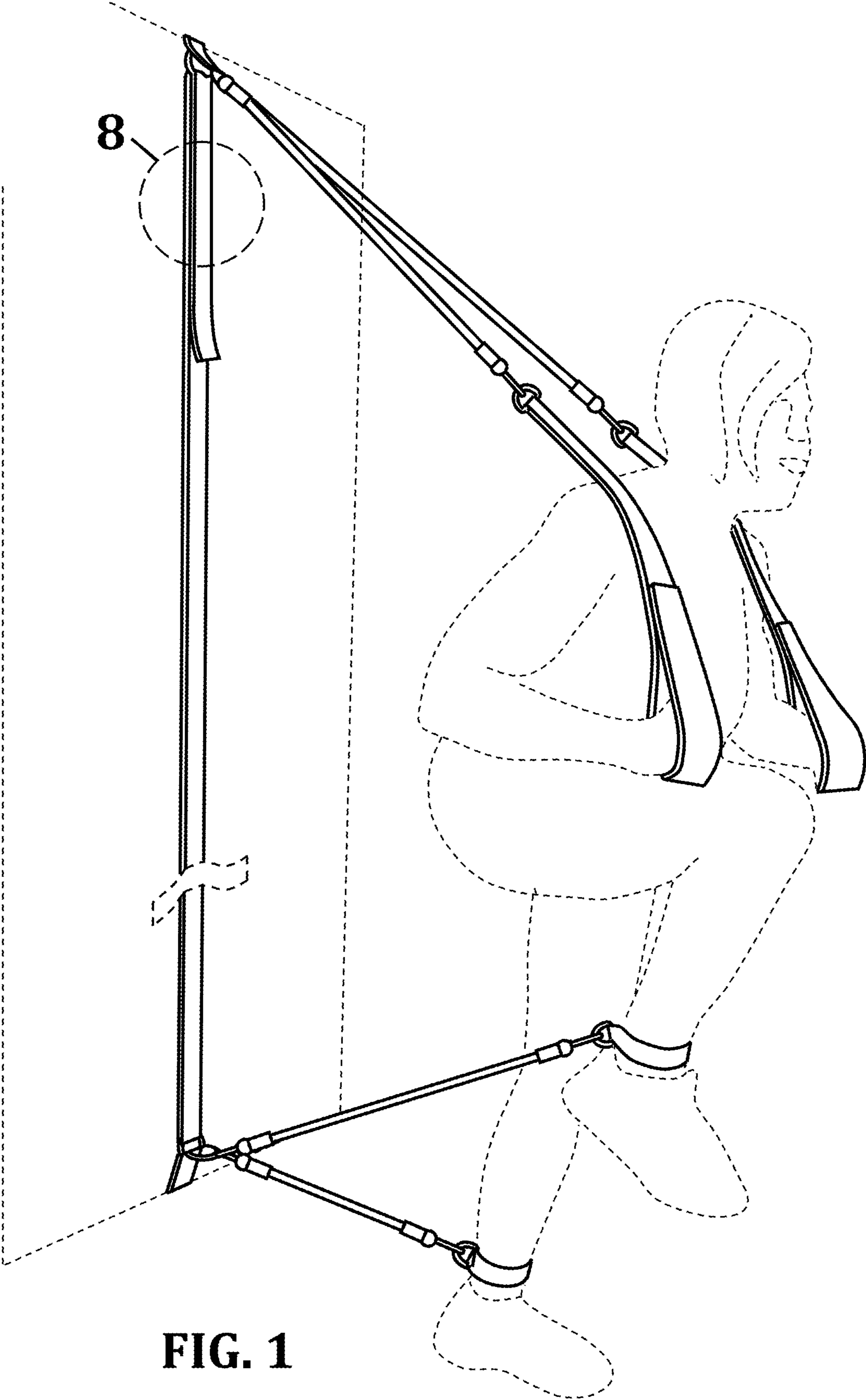


FIG. 1

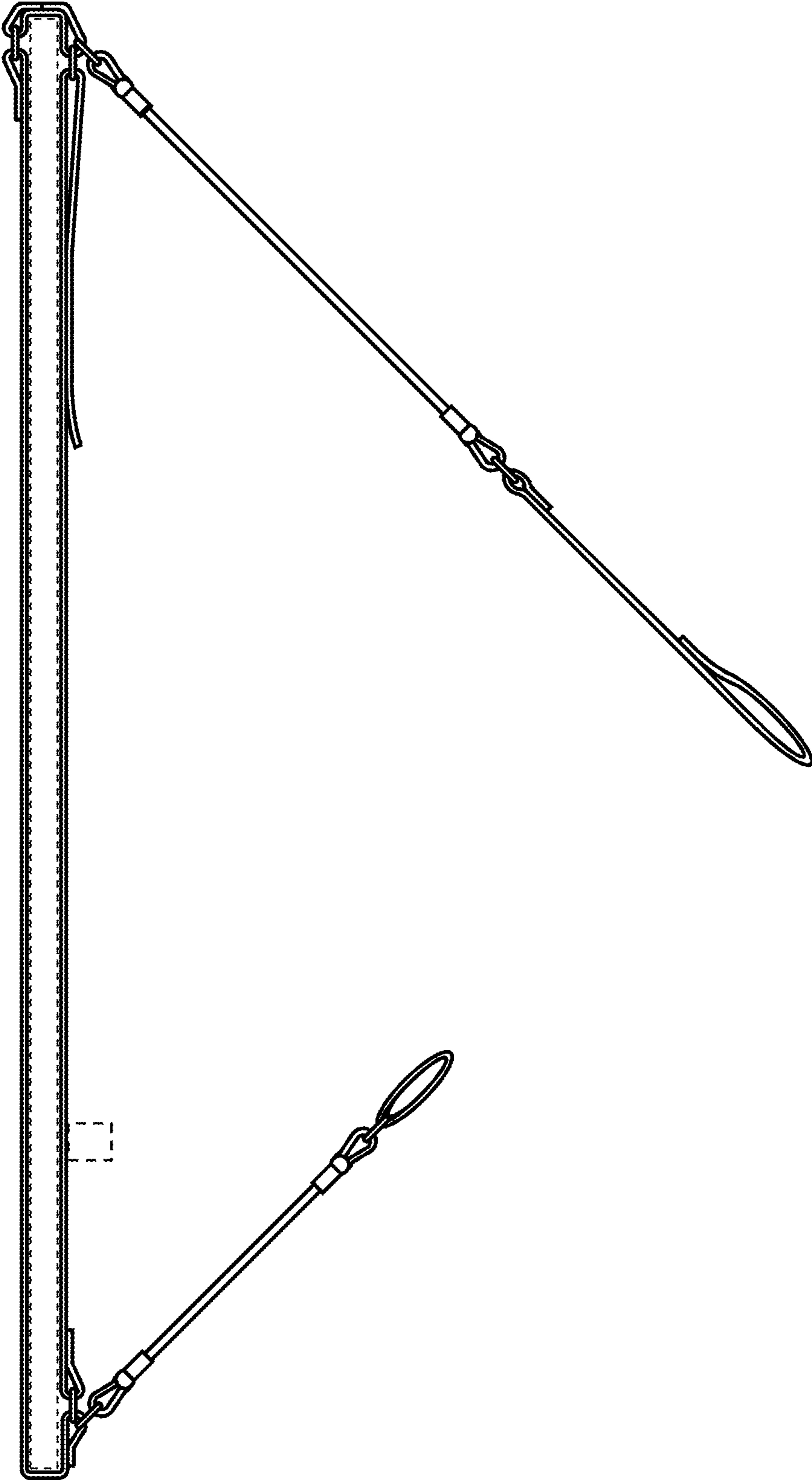


FIG. 2

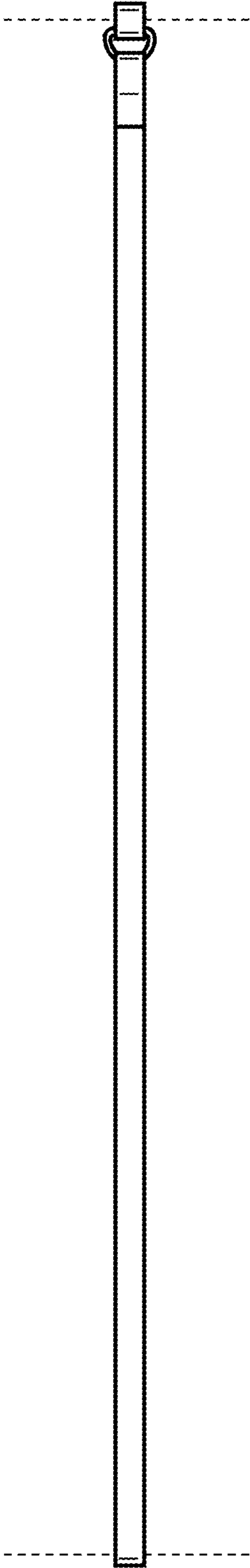


FIG. 3

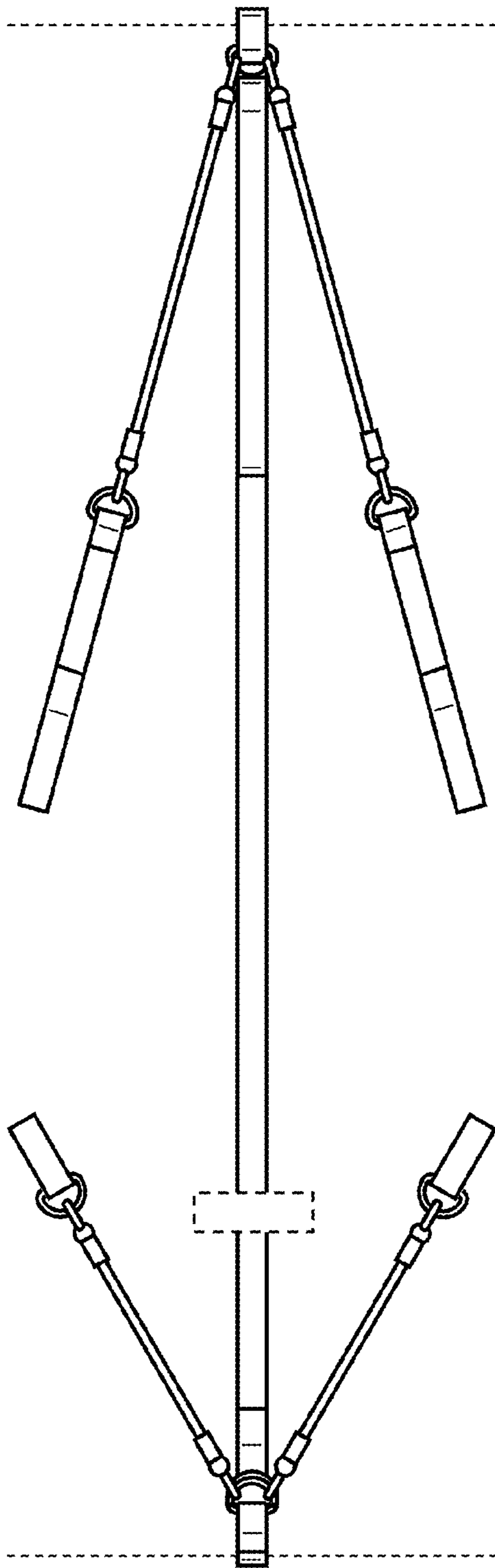


FIG. 4

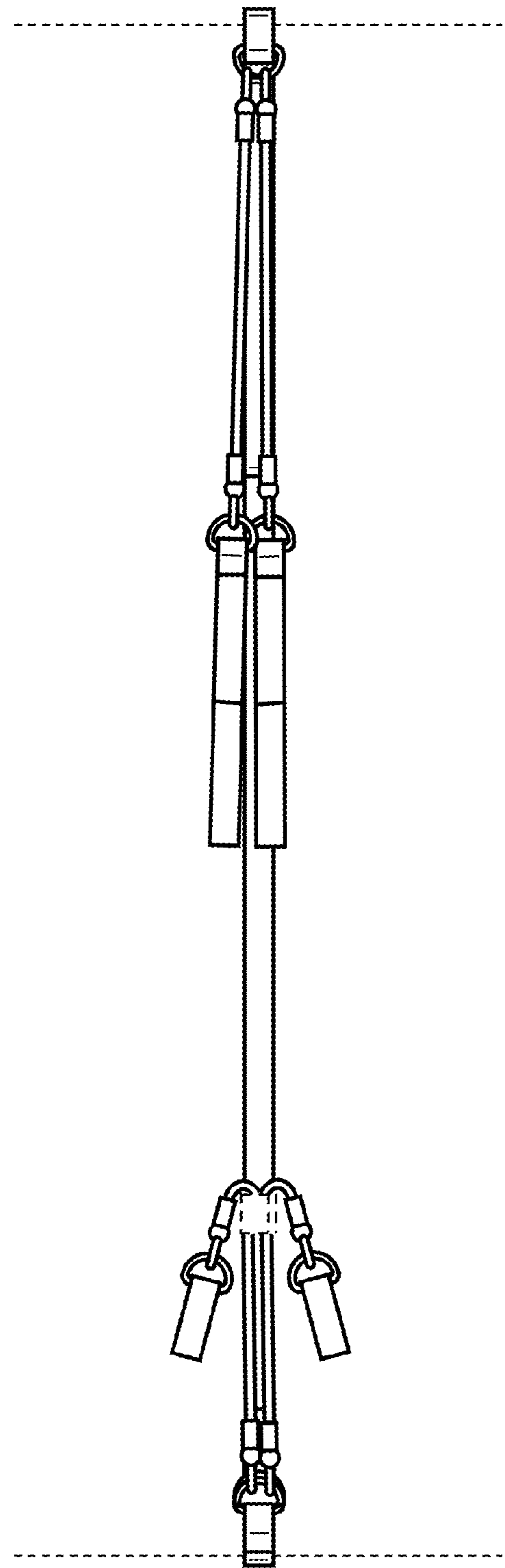


FIG. 5

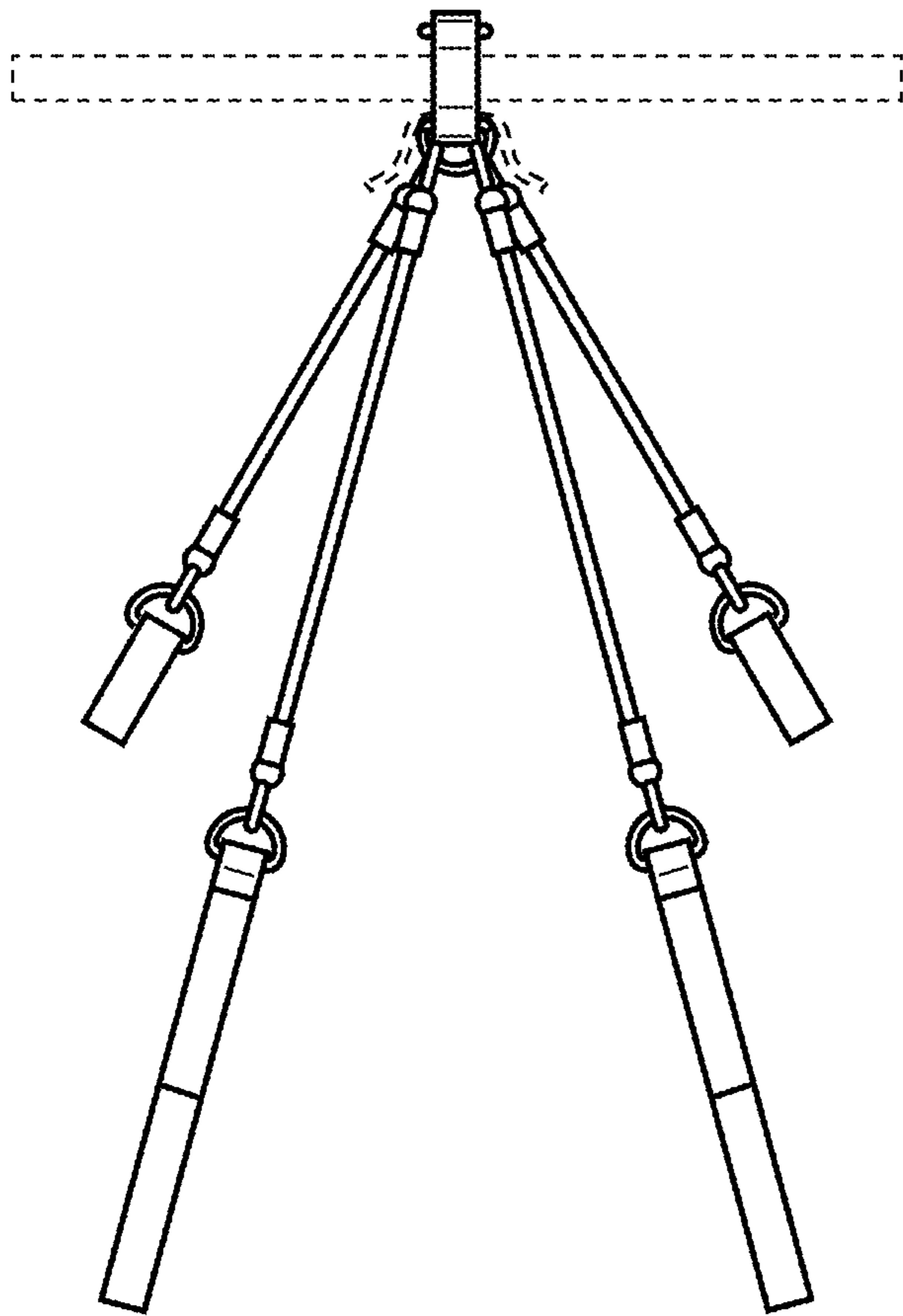


FIG. 6

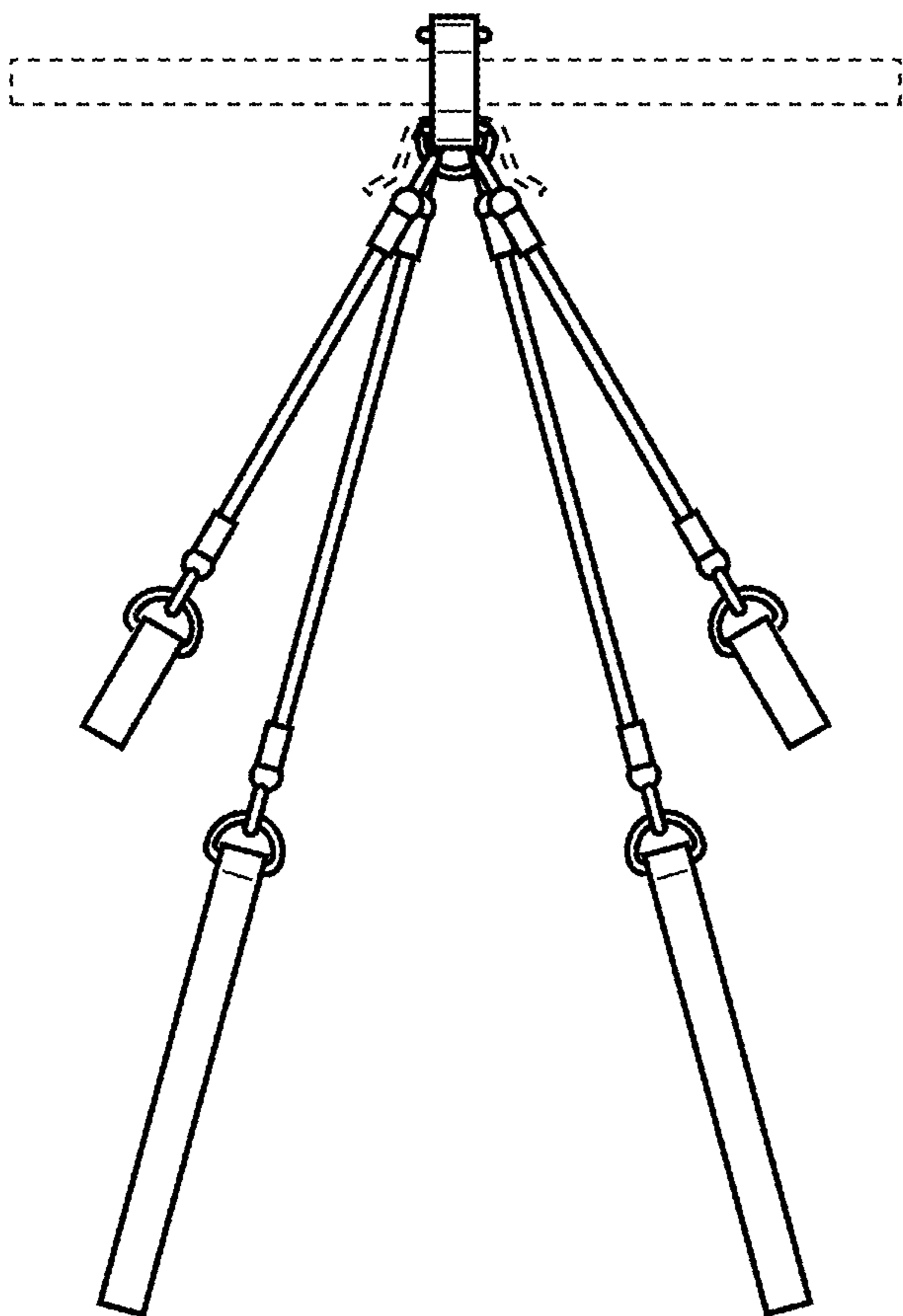


FIG. 7

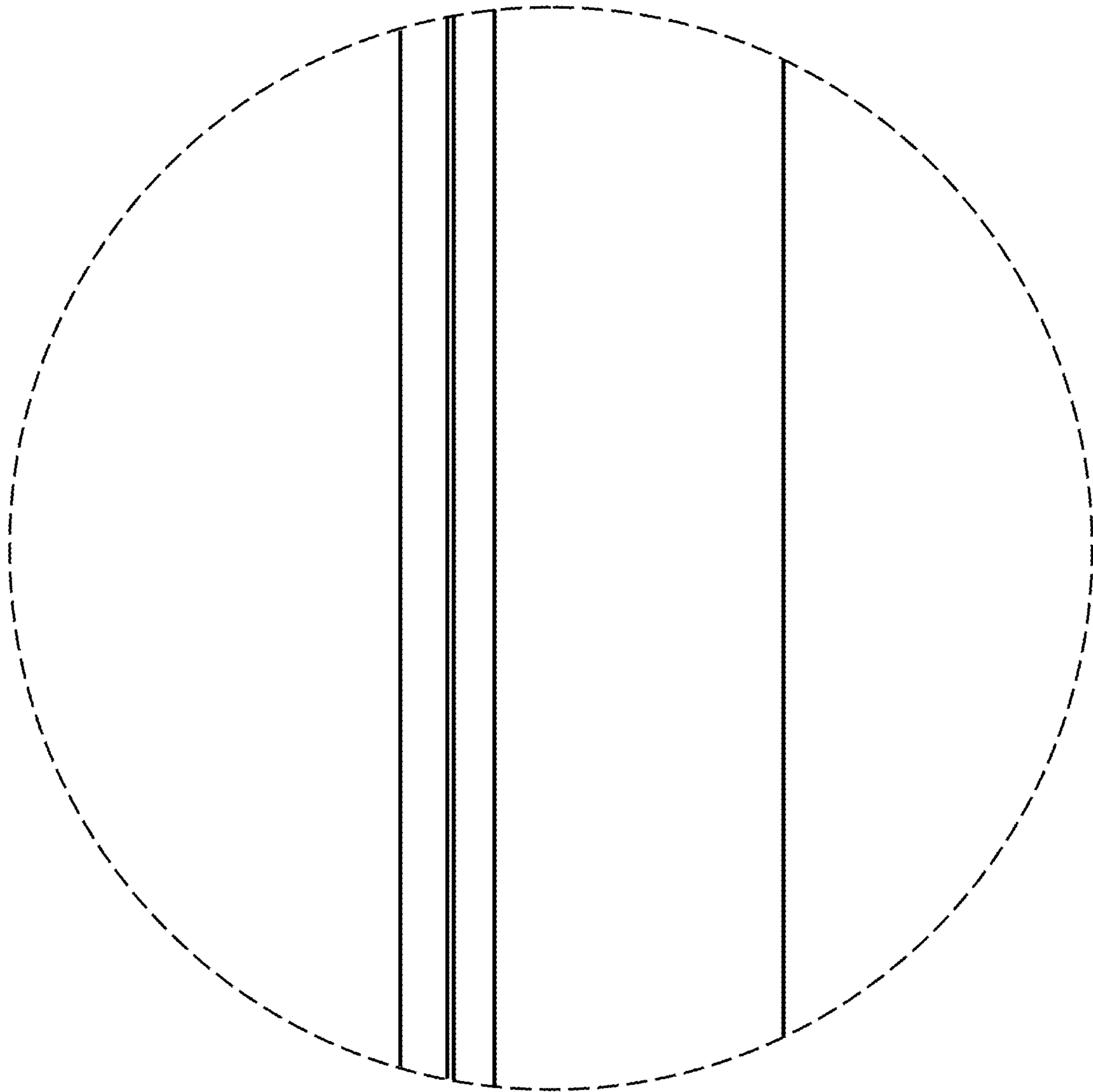


FIG. 8