



US00D930091S

(12) **United States Design Patent**
Wang

(10) **Patent No.:** **US D930,091 S**
(45) **Date of Patent:** **** Sep. 7, 2021**

- (54) **DUMBBELL**
- (71) Applicant: **JINAN RUNWE HEALTH TECHNOLOGY CO., LTD**, Jinan (CN)
- (72) Inventor: **Xingqiang Wang**, Jinan (CN)
- (73) Assignee: **JINAN RUNWE HEALTH TECHNOLOGY CO., LTD**, Jinan (CN)

- 4,076,236 A * 2/1978 Ionel A63B 21/0602 482/106
- D271,408 S * 11/1983 Bauer D21/681
- 4,531,728 A * 7/1985 Wright A63B 21/0601 482/106
- 4,681,315 A * 7/1987 Yang A63B 21/0726 482/127
- 4,738,446 A * 4/1988 Miles A63B 21/0728 24/580.11
- 4,787,629 A * 11/1988 DeMyer A63B 21/0728 482/107

(Continued)

- (**) Term: **15 Years**
- (21) Appl. No.: **29/759,936**
- (22) Filed: **Nov. 26, 2020**
- (51) **LOC (13) Cl.** **21-02**
- (52) **U.S. Cl.**
USPC **D21/681**
- (58) **Field of Classification Search**
USPC D9/668, 600, 542, 538, 503; D8/331; D7/697, 625, 515, 507; D21/803, 694, D21/681, 680, 679, 678, 662; D11/81; 482/99, 8, 50, 111, 110, 108, 107, 106, 482/105, 104
CPC A63B 21/0728; A63B 21/075; A63B 21/00065; A63B 21/0726; A63B 21/0724; A63B 21/072; A63B 21/078; A63B 21/063; A63B 21/4035; A63B 21/0602
See application file for complete search history.

(56) **References Cited**

U.S. PATENT DOCUMENTS

- 1,672,944 A * 6/1928 Jowett A63B 21/0728 482/108
- 2,447,218 A * 8/1948 Trzesniewski A63B 21/0724 482/106
- 2,676,802 A * 4/1954 O'Brien A63B 21/0724 482/106
- 3,913,908 A * 10/1975 Speyer A63B 21/0728 482/106

OTHER PUBLICATIONS

RUNWE by RUNWE dated Aug. 14, 2020. Found online [Mar. 18, 2021] https://www.amazon.com/RUNWE-Adjustable-Dumbbells-Connector-All-Purpose/product-reviews/B089YGBBV6/ref=cm_cr_getr_d_paging_btm_next_9?ie=UTF8&reviewerType=all_reviews&sortBy=recent&pageNumber=9 (Year: 2020).*

Primary Examiner — Ryan Harvey

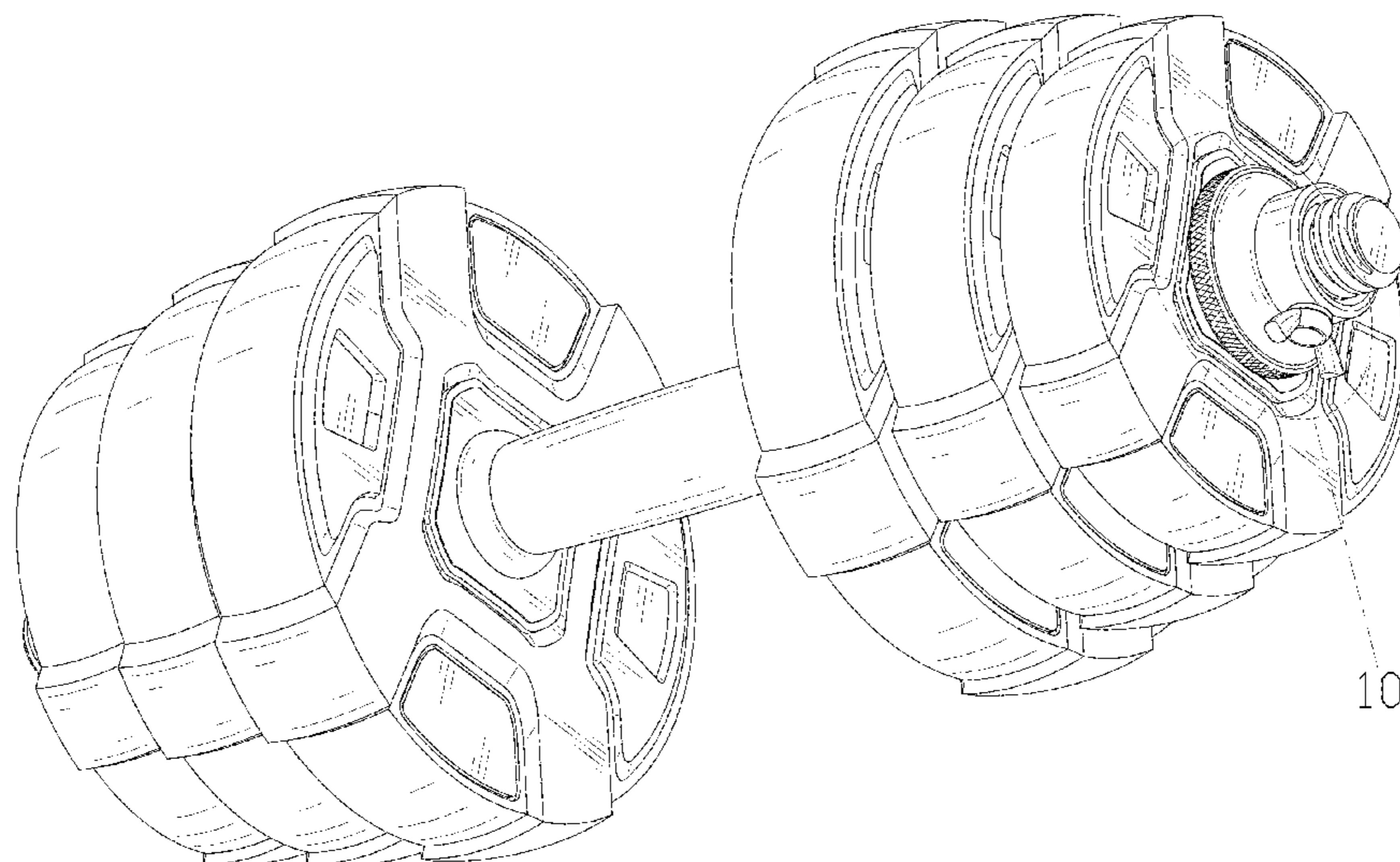
(57) **CLAIM**

The ornamental design for a dumbbell, as shown and described.

DESCRIPTION

FIG. 1 is a perspective view of a dumbbell showing my new design;
FIG. 2 is another perspective view thereof;
FIG. 3 is a front elevational view thereof;
FIG. 4 is a rear elevational view thereof;
FIG. 5 is a left side elevational view thereof;
FIG. 6 is a right side elevational view thereof;
FIG. 7 is a top plan view thereof;
FIG. 8 is a bottom plan view thereof;
FIG. 9 is a perspective view of the dumbbell where the dumbbell is in a configuration of use; and,
FIG. 10 is an enlarged view of portion 10 shown in FIG. 1. The broken lines in the drawings depict portions of the dumbbell that form no part of the claimed design.

1 Claim, 10 Drawing Sheets



(56)

References Cited

U.S. PATENT DOCUMENTS

4,948,123 A * 8/1990 Schook A63B 21/0728
482/107
4,978,122 A * 12/1990 Dibowski A63B 21/0724
482/106
4,997,184 A * 3/1991 Sherman A63B 21/0602
482/108
5,033,740 A * 7/1991 Schwartz A63B 21/0722
482/105
5,090,693 A * 2/1992 Liang A63B 21/0726
482/108
D327,517 S * 6/1992 Bowman D21/681
5,221,244 A * 6/1993 Doss A63B 21/0724
482/106
5,346,449 A * 9/1994 Schlagel A63B 21/0728
482/107
5,484,367 A * 1/1996 Martinez A63B 21/0728
482/107
5,605,411 A * 2/1997 Wilson A63B 21/0728
403/109.8
5,967,952 A * 10/1999 Bronstein A63B 21/0602
482/105
5,971,339 A * 10/1999 Falasco, Jr. A63B 21/4017
248/175
D444,516 S * 7/2001 Pearson D21/681
6,592,499 B2 * 7/2003 Parker A63B 21/072
482/106
D486,536 S * 2/2004 Patti D21/679
D500,820 S * 1/2005 Krull D21/681
7,011,610 B2 * 3/2006 Wawrzyniak A63B 21/0726
482/104
D528,611 S * 9/2006 Flick D21/681
7,112,178 B1 * 9/2006 Roozenburg A61H 1/0266
601/121
D536,752 S * 2/2007 Walkerdine D21/681
7,175,572 B2 * 2/2007 Stonecipher A63B 21/0023
482/106
D540,405 S * 4/2007 Crawford D21/681
D540,894 S * 4/2007 Crawford D21/681
D573,670 S * 7/2008 Mullins D21/679
D578,172 S * 10/2008 Schiff D21/681
D603,002 S * 10/2009 Gettle D21/681
D610,636 S * 2/2010 Golesh D21/681
7,819,786 B1 * 10/2010 Cao A63B 21/0726
482/106
7,887,469 B1 * 2/2011 Chen A63B 21/0728
482/108
D639,358 S * 6/2011 Rauwerdink D21/681
D643,481 S * 8/2011 Rauwerdink D21/681
D737,907 S * 9/2015 Flick D21/681
D746,168 S * 12/2015 Vaughan D11/81
D844,077 S 3/2019 Arceta
D888,849 S 6/2020 Bowers

D896,324 S * 9/2020 Yu D21/681
2004/0005968 A1 * 1/2004 Crawford A63B 21/0607
482/106
2005/0079961 A1 * 4/2005 Dalebout A63B 21/075
482/106
2006/0105891 A1 * 5/2006 Cappellini A63B 21/0726
482/107
2006/0234843 A1 * 10/2006 Chen A63B 21/0728
482/107
2006/0240959 A1 * 10/2006 Huang A63B 21/0726
482/108
2007/0225132 A1 * 9/2007 Liu A63B 21/0783
482/106
2007/0254785 A1 * 11/2007 Lin A63B 21/075
482/108
2008/0026921 A1 * 1/2008 Liu A63B 21/063
482/107
2009/0042700 A1 * 2/2009 Liu A63B 21/075
482/107
2009/0124470 A1 * 5/2009 Yu A63B 21/063
482/107
2009/0186748 A1 * 7/2009 Golesh A63B 21/0728
482/107
2009/0192025 A1 * 7/2009 Minerva A63B 21/4017
482/93
2009/0192027 A1 * 7/2009 Parker A63B 21/0722
482/108
2009/0239719 A1 * 9/2009 Patti A63B 21/0726
482/107
2009/0270233 A1 * 10/2009 Cao A63B 21/0726
482/108
2010/0190618 A1 * 7/2010 Chen A63B 21/0728
482/108
2011/0045956 A1 * 2/2011 Colledge A63B 21/075
482/107
2012/0115689 A1 * 5/2012 Dalebout A63B 21/0728
482/107
2012/0295774 A1 * 11/2012 Dalebout A63B 21/0726
482/106
2012/0309597 A1 * 12/2012 Liu A63B 21/0726
482/107
2013/0288859 A1 * 10/2013 Watterson A63B 24/0062
482/8
2013/0324375 A1 * 12/2013 Svenberg A63B 21/0728
482/108
2014/0349820 A1 * 11/2014 Wang A63B 21/0726
482/108
2016/0166873 A1 * 6/2016 Liu A63B 21/0726
482/107
2017/0151460 A1 * 6/2017 Jennings A63B 21/075
2017/0282001 A1 * 10/2017 Imbert A63B 1/00
2019/0299047 A1 * 10/2019 Nalley A63B 21/0728
2019/0388723 A1 * 12/2019 Nalley A63B 21/0726
2021/0016126 A1 * 1/2021 Huang A63B 21/0726

* cited by examiner

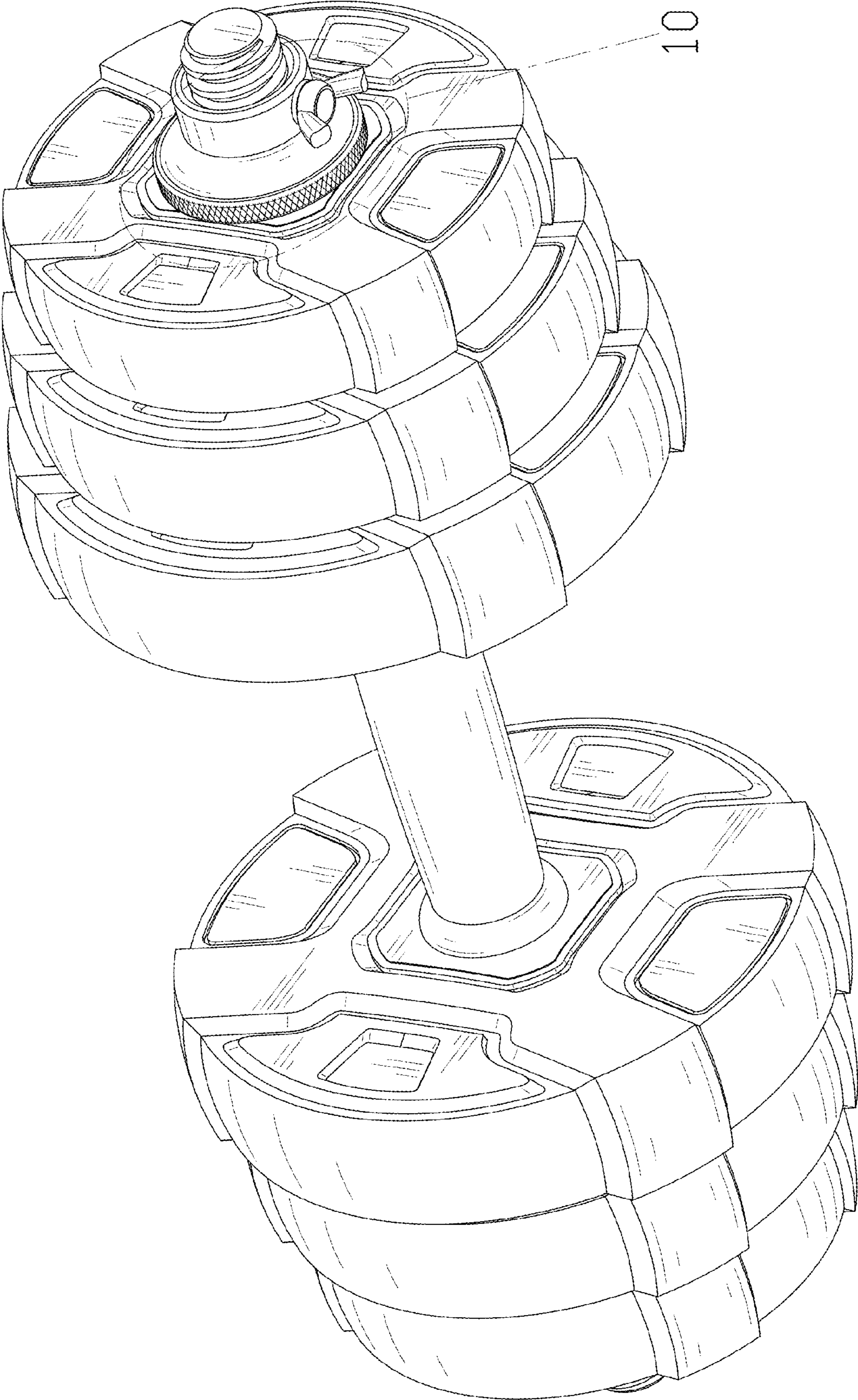


FIG. 1

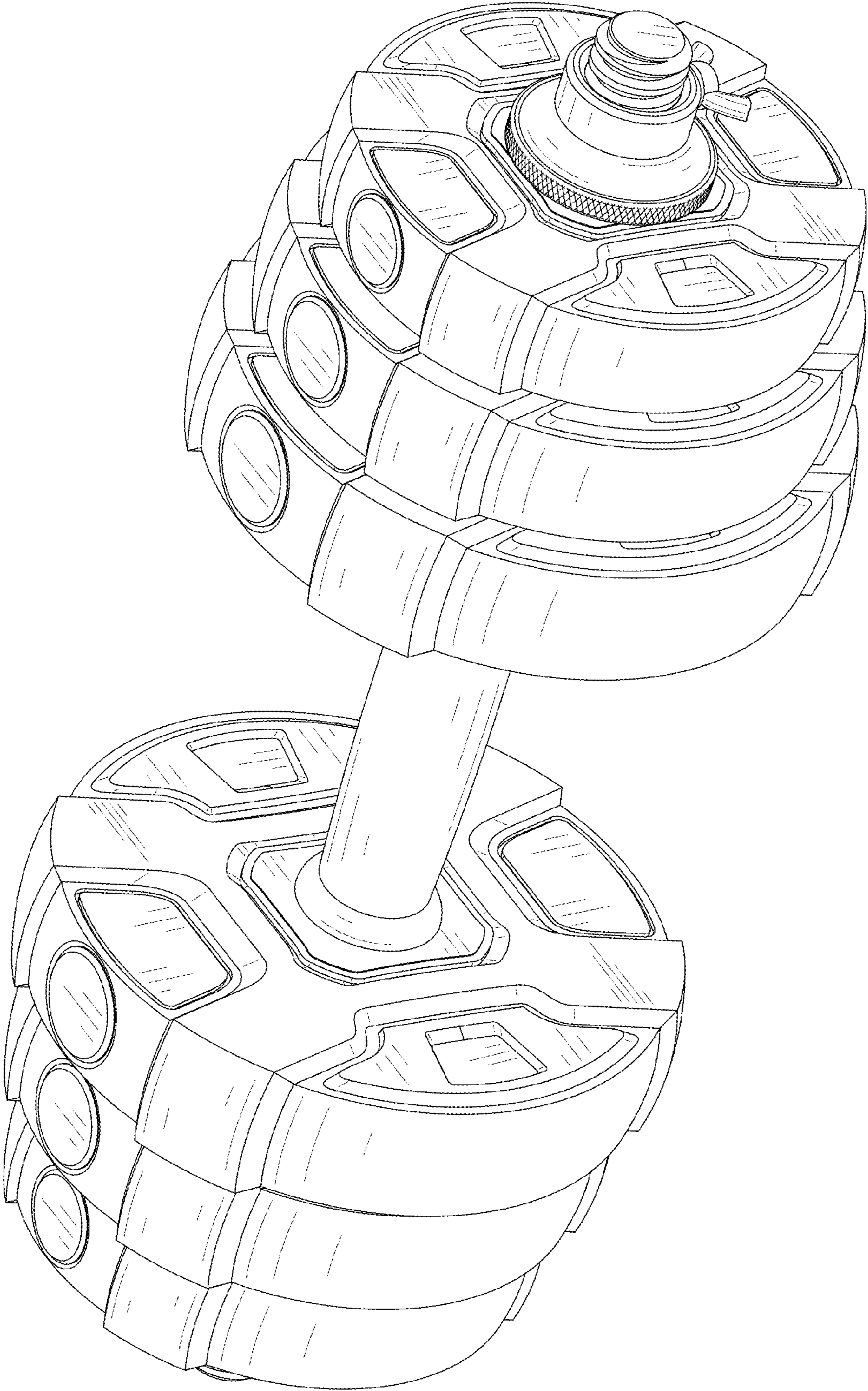


FIG. 2

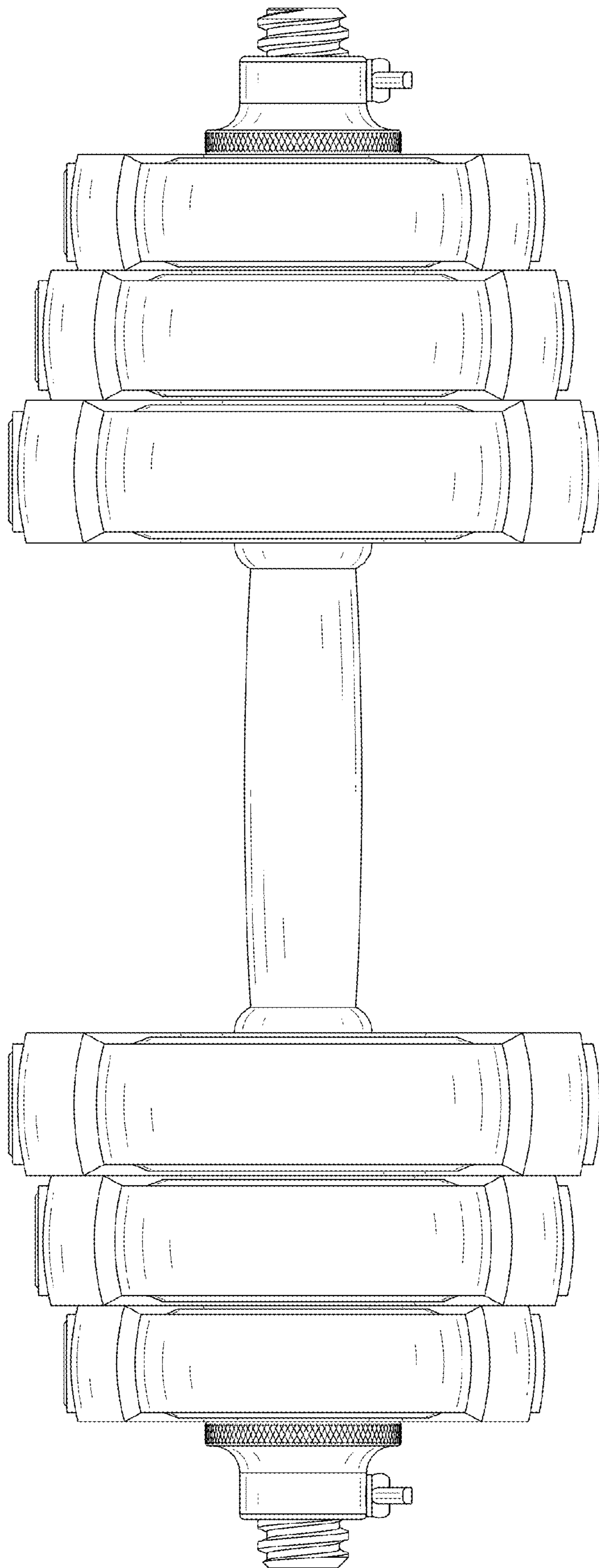


FIG. 3

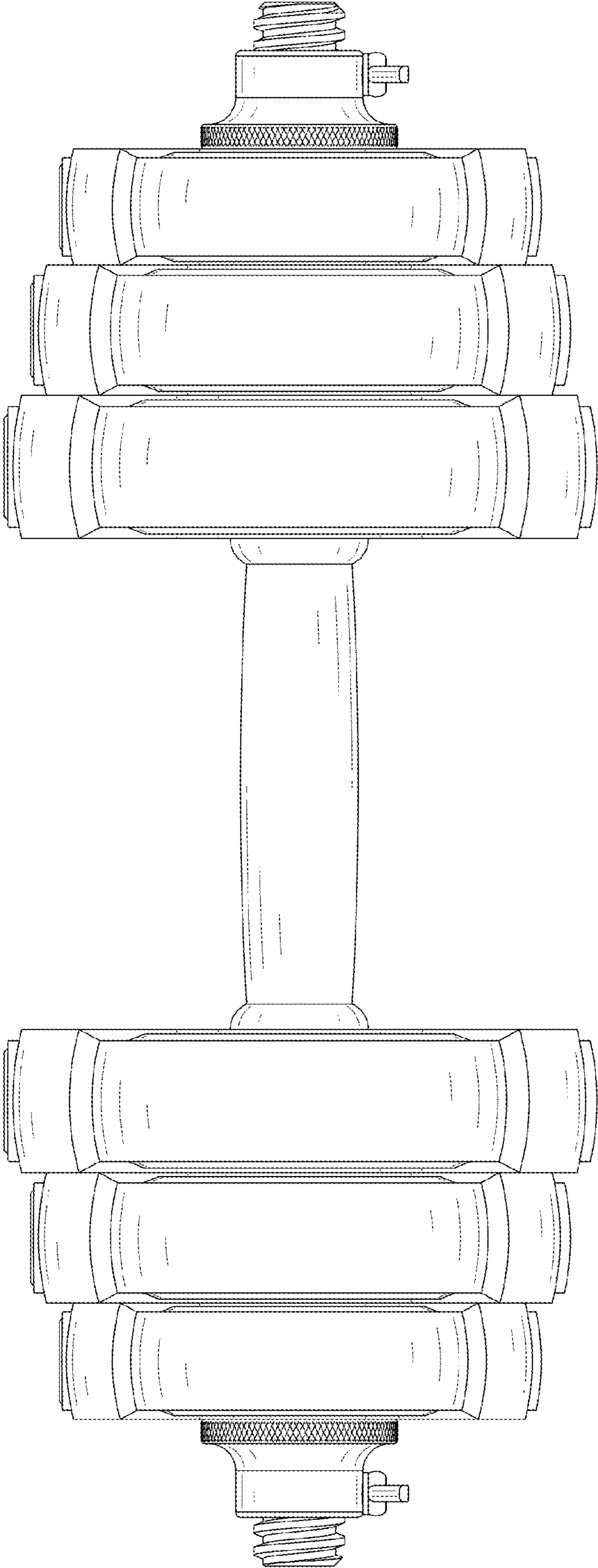


FIG. 4

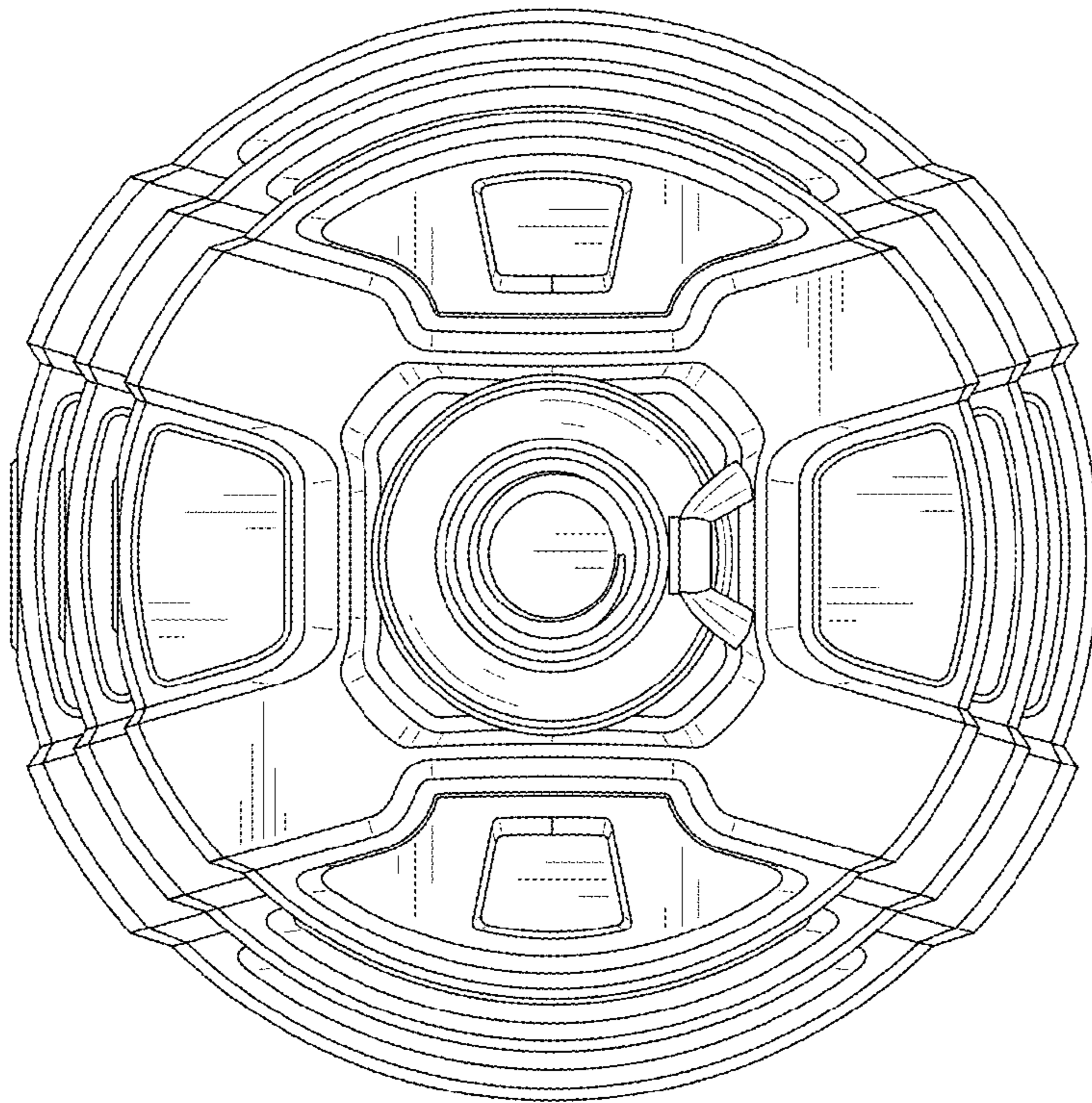


FIG. 5

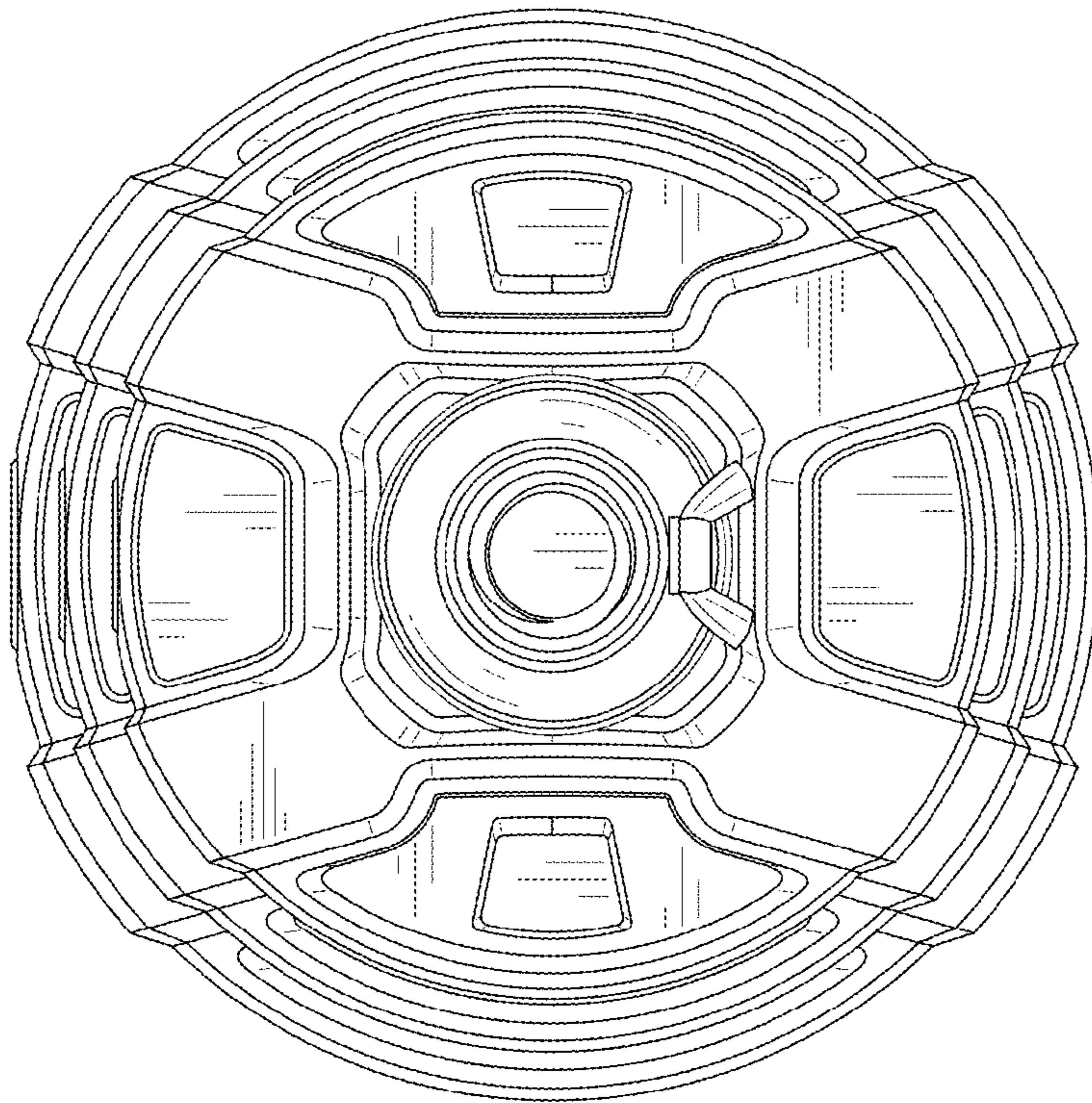


FIG. 6

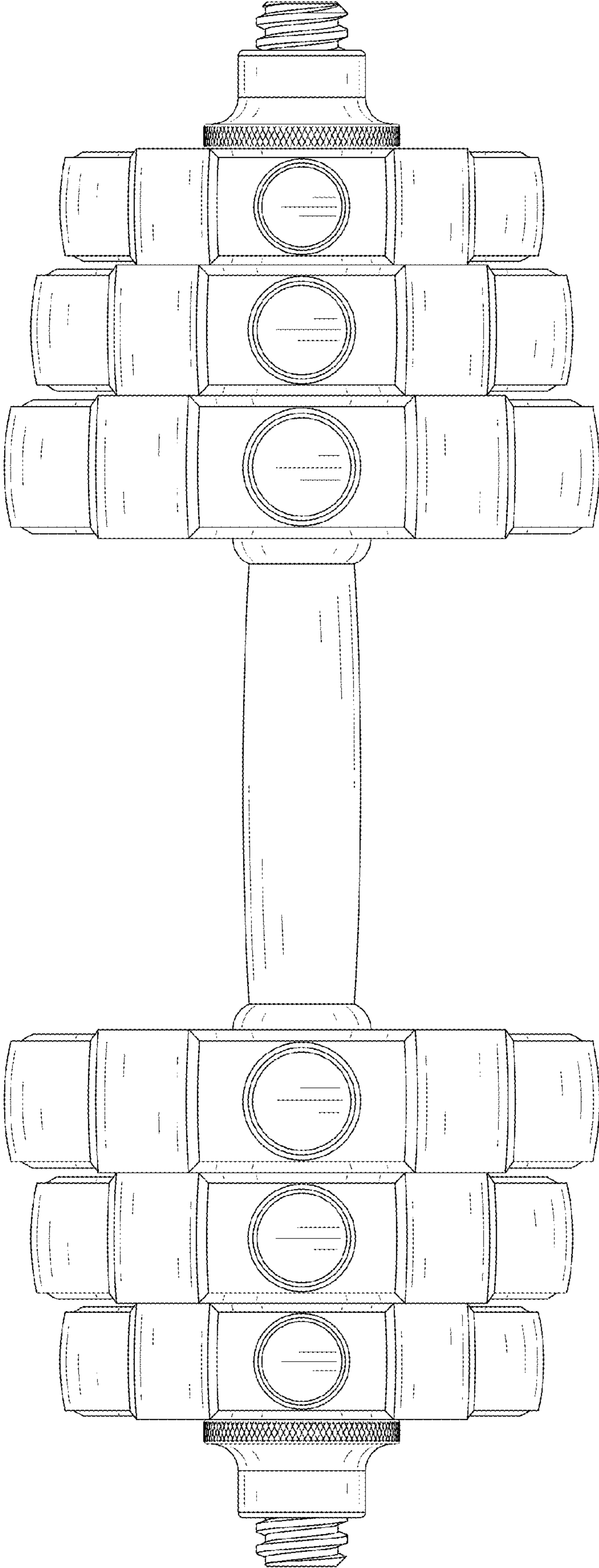


FIG. 7

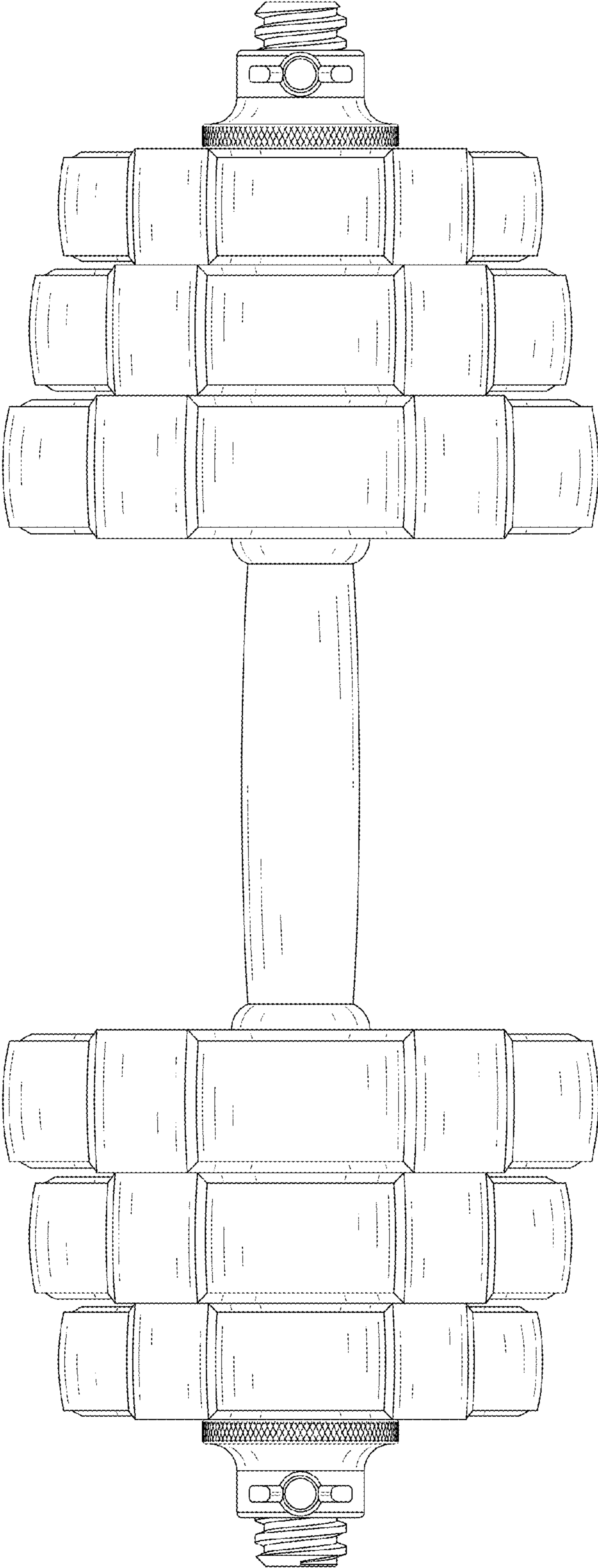


FIG. 8

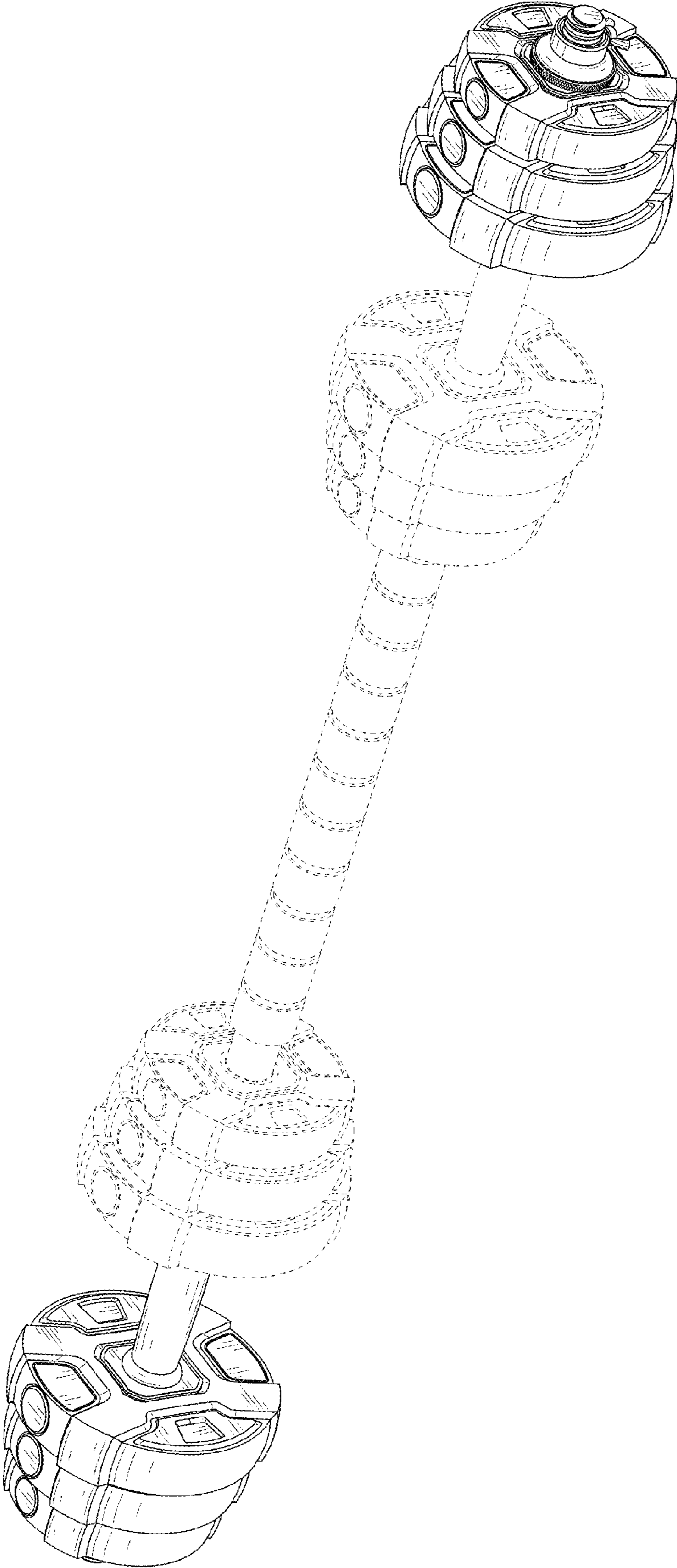


FIG. 9

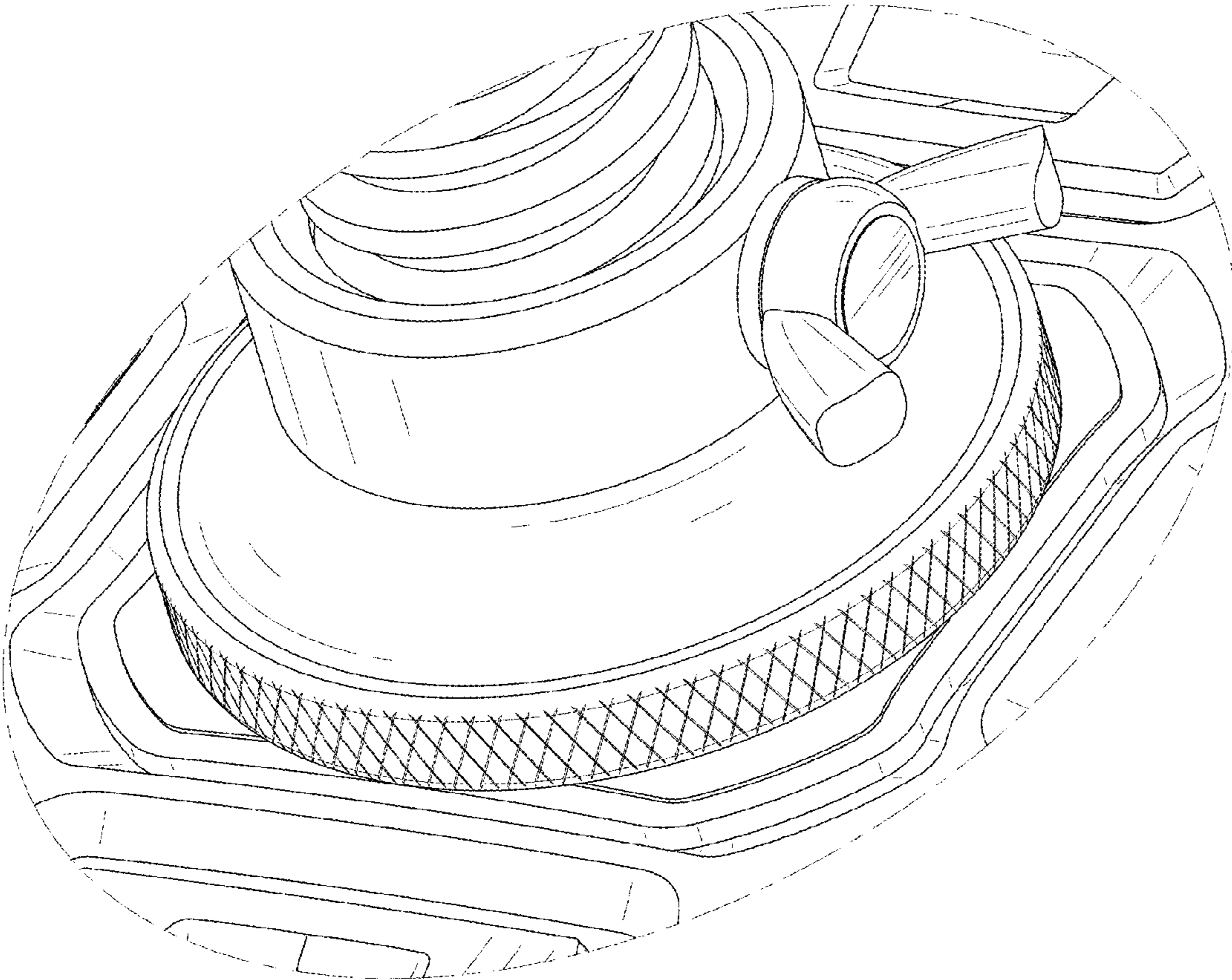


FIG. 10