



US00D930089S

(12) **United States Design Patent**
Oblamski et al.

(10) **Patent No.:** **US D930,089 S**

(45) **Date of Patent:** **** Sep. 7, 2021**

(54) **TREADMILL**

(71) Applicant: **Woodway USA, Inc.**, Waukesha, WI
(US)

(72) Inventors: **Nicholas A. Oblamski**, Waukesha, WI
(US); **Jose Bernal-Ramirez**, Waukesha,
WI (US); **Dan Schneider**, Waukesha,
WI (US); **Kevin Short**, La Grange, IL
(US)

(73) Assignee: **Woodway USA, Inc.**, Waukesha, WI
(US)

(**) Term: **15 Years**

(21) Appl. No.: **29/683,351**

(22) Filed: **Mar. 12, 2019**

(51) **LOC (13) Cl.** **21-02**

(52) **U.S. Cl.**
USPC **D21/669**

(58) **Field of Classification Search**
USPC D21/662, 668, 669, 670, 671, 686, 694
CPC A63B 22/02; A63B 2220/18; A63B 24/00;
A63B 69/0028

See application file for complete search history.

(56) **References Cited**

U.S. PATENT DOCUMENTS

8,308 A	8/1851	Seymour
219,439 A	9/1879	Blend
411,986 A	10/1889	Frazeur et al.
641,424 A	1/1900	Taitel et al.
759,296 A	5/1904	Morairty
767,221 A	8/1904	Hagen
783,769 A	2/1905	Wright
931,394 A	8/1909	Day
1,016,729 A	2/1912	Barrett
1,211,765 A	1/1917	Schmidt
2,117,957 A	5/1938	Heller
2,399,915 A	5/1946	Drake

2,512,911 A	6/1950	Benice
2,842,365 A	7/1958	Kelley
3,637,206 A	1/1972	Chickering, III
3,642,279 A	2/1972	Cutter

(Continued)

FOREIGN PATENT DOCUMENTS

CN	3201120	9/2001
CN	2860541	1/2007

(Continued)

OTHER PUBLICATIONS

Woodway, "Curve Trainer", Sep. 2, 2020. <https://www.woodway.com/products/curve-trainer/>. Shown on p. 1. (Year: 2020).*

(Continued)

Primary Examiner — Cynthia Ramirez

Assistant Examiner — Michael A Maharajh

(74) *Attorney, Agent, or Firm* — Foley & Lardner LLP

(57) **CLAIM**

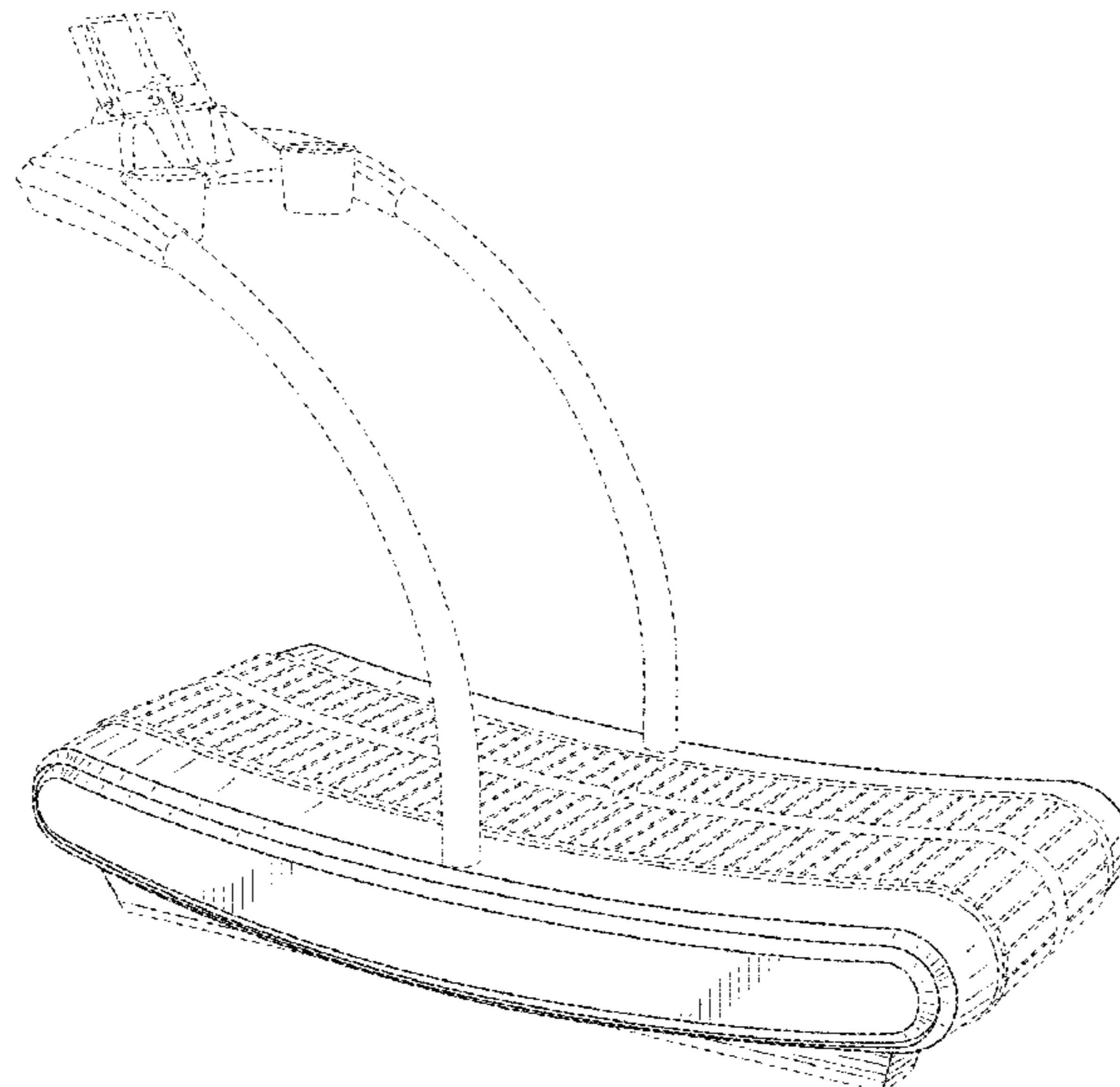
We claim the ornamental design for a treadmill, as shown and described.

DESCRIPTION

FIG. 1 is a right perspective view of the claimed design;
FIG. 2 is a right side view thereof;
FIG. 3 is a left side view thereof;
FIG. 4 is a front view thereof;
FIG. 5 is a rear view thereof;
FIG. 6 is a top view thereof; and,
FIG. 7 is a bottom view thereof.

The equal length broken lines in the drawings are for the purpose of illustrating portions of the treadmill, which form no part of the claimed design. The unequal length dash dot broken lines in the drawings are boundary lines that form no part of the claimed design.

1 Claim, 7 Drawing Sheets



(56)

References Cited

U.S. PATENT DOCUMENTS

3,870,297 A	3/1975	Elder	7,789,800 B1	9/2010	Watterson et al.
3,968,543 A	7/1976	Shino et al.	7,806,805 B2	10/2010	Barufka et al.
4,334,676 A	6/1982	Schonenberger	7,837,596 B2	11/2010	Astilean
4,389,047 A	6/1983	Hall	7,862,483 B2	1/2011	Hendrickson et al.
4,406,451 A	9/1983	Gaetano	8,007,408 B1	8/2011	Moran et al.
4,544,152 A	10/1985	Taitel	8,007,422 B2	8/2011	Zaccherini
4,548,405 A	10/1985	Lee et al.	8,075,450 B2	12/2011	Fabbri et al.
4,576,352 A	3/1986	Ogden	8,206,269 B2	6/2012	Fabbri et al.
4,614,337 A	9/1986	Schonenberger	8,241,187 B2	8/2012	Moon et al.
4,635,928 A	1/1987	Ogden et al.	8,308,619 B1	11/2012	Astilean
4,659,074 A	4/1987	Taitel et al.	D672,827 S	12/2012	Alessandri et al.
4,726,581 A	2/1988	Chang	8,343,016 B1	1/2013	Astilean
4,886,266 A	12/1989	Trulaske	D682,372 S	5/2013	Alessandri et al.
4,938,469 A	7/1990	Crandell	8,496,566 B2	7/2013	Casadei
5,031,901 A	7/1991	Saarinen	8,512,209 B2	8/2013	Guidi et al.
5,094,447 A	3/1992	Wang	8,585,561 B2	11/2013	Watt et al.
5,145,480 A	9/1992	Wang	8,676,170 B2	3/2014	Porrati et al.
5,162,988 A	11/1992	Semerau et al.	8,690,738 B1	4/2014	Astillian
D333,887 S	3/1993	Dowler	8,734,300 B2	5/2014	Piaget et al.
5,242,339 A	9/1993	Thornton	8,864,627 B2	10/2014	Bayerlein et al.
5,290,205 A	3/1994	Densmore et al.	8,876,668 B2	11/2014	Hendrickson et al.
5,310,392 A	5/1994	Lo	8,920,347 B2	12/2014	Bayerlein et al.
5,318,487 A	6/1994	Golen et al.	8,986,169 B2	3/2015	Bayerlein et al.
5,368,532 A	11/1994	Farnet	9,005,085 B2	4/2015	Astilean
5,378,213 A	1/1995	Quint	9,039,580 B1	5/2015	Bayerlein et al.
5,411,279 A	5/1995	Magid	9,044,635 B2	6/2015	Lull
5,411,455 A	5/1995	Haber et al.	D736,866 S	8/2015	Oblamski et al.
5,431,612 A	7/1995	Holden	9,192,810 B2	11/2015	Beard et al.
5,470,293 A	11/1995	Schonenberger	9,216,316 B2	12/2015	Bayerlein et al.
5,492,517 A	2/1996	Bostic et al.	9,233,272 B2	1/2016	Villani et al.
5,538,489 A	7/1996	Magid	9,254,409 B2	2/2016	Dalebout et al.
5,575,740 A	11/1996	Piaget et al.	D751,156 S	3/2016	Tasca et al.
5,577,598 A	11/1996	Schoenenberger	9,305,141 B2	4/2016	Fabrizio
5,607,376 A	3/1997	Magid	9,314,667 B2	4/2016	Puerschel
5,643,144 A	7/1997	Trulaske	9,352,188 B2	5/2016	Astilean
5,669,856 A	9/1997	Liu	9,429,511 B1	8/2016	Kannel
5,683,332 A	11/1997	Watterson et al.	9,498,696 B1 *	11/2016	Razon A63B 71/0009
5,688,209 A	11/1997	Trulaske et al.	D788,792 S	6/2017	Alessandri et al.
5,709,632 A	1/1998	Socwell	9,694,234 B2	7/2017	Dalebout et al.
5,856,736 A	1/1999	Rotunda et al.	9,824,110 B2	11/2017	Giudici et al.
5,887,579 A	3/1999	Eriksson et al.	9,914,015 B2	3/2018	Astilean et al.
5,897,461 A	4/1999	Socwell	9,956,450 B2	5/2018	Bayerlein et al.
6,042,514 A	3/2000	Abelbeck	9,974,997 B2	5/2018	Cei
6,053,848 A	4/2000	Eschenbach	D820,362 S	6/2018	Citterio
6,095,952 A	8/2000	Ali et al.	10,010,748 B1	7/2018	Weinstein et al.
6,146,315 A	11/2000	Schonenberger	D827,058 S	8/2018	Lisi et al.
6,152,854 A	11/2000	Carmein	10,143,884 B2 *	12/2018	Cei A63B 23/04
6,180,210 B1	1/2001	Debus	D837,312 S	1/2019	Lisi et al.
6,328,676 B1	12/2001	Alessandri	10,183,191 B2	1/2019	Astilean et al.
6,334,836 B1	1/2002	Segasby	10,293,204 B2	5/2019	Astilean et al.
6,334,839 B1	1/2002	Lim et al.	10,478,666 B2	11/2019	Yoo
6,348,025 B1	2/2002	Schonenberger	2001/0018917 A1	9/2001	Brain
6,454,679 B1	9/2002	Radow	2002/0147079 A1	10/2002	Kalnbach
6,468,189 B2	10/2002	Alessandri	2003/0148853 A1	8/2003	Alessandri et al.
6,500,097 B1	12/2002	Hall	2003/0186787 A1	10/2003	Wu et al.
6,616,578 B2	9/2003	Alessandri	2004/0018917 A1	1/2004	Corbalis et al.
6,652,424 B2	11/2003	Dalebout	2004/0077465 A1	4/2004	Schmidt
D484,554 S	12/2003	Hellman et al.	2004/0097341 A1	5/2004	Alessandri et al.
6,740,009 B1	5/2004	Hall	2004/0241631 A1	12/2004	Nizamuddin
6,761,667 B1	7/2004	Cutler et al.	2004/0242631 A1	12/2004	Garlich et al.
6,824,502 B1	11/2004	Huang	2005/0009668 A1	1/2005	Savettiere et al.
6,837,830 B2	1/2005	Eldridge	2005/0202936 A1	9/2005	Ota
6,893,382 B1	5/2005	Moon et al.	2005/0209059 A1	9/2005	Crawford et al.
6,923,746 B1	8/2005	Skowronski et al.	2005/0272562 A1	12/2005	Alessandri et al.
7,090,620 B1	8/2006	Barlow	2006/0003871 A1	1/2006	Houghton et al.
7,115,073 B2	10/2006	Nizamuddin	2006/0003872 A1	1/2006	Chiles et al.
7,179,205 B2	2/2007	Schmidt	2006/0122035 A1	6/2006	Felix
D562,416 S	2/2008	Fedriga et al.	2006/0287165 A1	12/2006	Pasqualin
D566,209 S	4/2008	Alessandri et al.	2007/0021278 A1	1/2007	Pan et al.
7,410,449 B2	8/2008	Yeh	2007/0027001 A1	2/2007	Alessandri et al.
7,560,822 B1	7/2009	Hoffmann	2007/0123396 A1	5/2007	Ellis
7,608,023 B2	10/2009	Casagrande	2007/0167289 A1	7/2007	Alessandri et al.
7,618,345 B2	11/2009	Corbalis et al.	2007/0202995 A1	8/2007	Roman et al.
7,717,828 B2	5/2010	Simonson et al.	2007/0225130 A1	9/2007	Maffei et al.
7,780,573 B1	8/2010	Carmein	2007/0298935 A1	12/2007	Badarneh et al.
			2008/0015094 A1	1/2008	Casagrande
			2008/0020907 A1	1/2008	Lin
			2008/0026914 A1 *	1/2008	Chen A63B 71/0622

(56)

References Cited

U.S. PATENT DOCUMENTS

2008/0119332 A1 5/2008 Roman
 2008/0132385 A1 6/2008 Alessandri et al.
 2008/0287266 A1 11/2008 Smith
 2009/0105047 A1 4/2009 Guidi et al.
 2009/0156363 A1 6/2009 Guidi et al.
 2009/0170666 A1 7/2009 Chiang
 2009/0215589 A1 8/2009 Schoenenberger
 2009/0280960 A1 11/2009 Tian
 2010/0087298 A1 4/2010 Zaccherini
 2010/0216607 A1 8/2010 Mueller
 2010/0222182 A1 9/2010 Park
 2011/0027549 A1 2/2011 Boutaghou
 2011/0266091 A1 11/2011 Taylor
 2011/0275497 A1 11/2011 Lorusso
 2012/0010048 A1* 1/2012 Bayerlein A63B 22/0235
 482/2
 2012/0010053 A1 1/2012 Bayerlein et al.
 2012/0019973 A1 1/2012 Ehrmantraut et al.
 2012/0157267 A1 6/2012 Lo
 2012/0231934 A1* 9/2012 Lo A63B 22/02
 482/54
 2012/0264569 A1 10/2012 Escobedo et al.
 2012/0270705 A1 10/2012 Lo
 2014/0011642 A1 1/2014 Astilean
 2014/0080679 A1 3/2014 Bayerlein et al.
 2014/0171272 A1 6/2014 Hawkins et al.
 2015/0119202 A1 4/2015 Hendrickson et al.
 2015/0157895 A1 6/2015 Bettini
 2015/0306456 A1 10/2015 Pasini et al.
 2015/0352400 A1 12/2015 Bayerlein et al.
 2015/0367175 A1 12/2015 Alessandri et al.
 2016/0023039 A1 1/2016 Cei
 2016/0096064 A1 4/2016 Gatti
 2016/0144224 A1* 5/2016 Dalebout A63B 22/02
 482/54
 2016/0144225 A1* 5/2016 Dalebout A63B 22/0285
 482/54
 2016/0166877 A1 6/2016 Cei et al.
 2016/0263429 A1 9/2016 Wagner
 2016/0296789 A1 10/2016 Astilean et al.
 2016/0367851 A1 12/2016 Astilean et al.
 2017/0007886 A1 1/2017 Alessandri
 2017/0113093 A1 4/2017 Bellavista et al.
 2017/0182356 A1 6/2017 Cei et al.
 2017/0274248 A1 9/2017 Brown et al.
 2017/0312582 A1 11/2017 Root, Jr.
 2018/0001134 A1 1/2018 Bayerlein et al.
 2018/0014755 A1 1/2018 Alessandri et al.
 2018/0104534 A1* 4/2018 Erkelenz A63B 22/02
 2018/0111018 A1* 4/2018 Lee A63B 22/0285
 2018/0111023 A1 4/2018 Cei et al.
 2018/0229065 A1 8/2018 Leonardi et al.
 2019/0054344 A1 2/2019 Athey et al.
 2019/0083843 A1 3/2019 Del Monaco et al.
 2019/0083844 A1* 3/2019 Bayerlein A63B 21/00069
 2019/0118030 A1* 4/2019 Yoo A63B 22/0285
 2019/0168067 A1 6/2019 Bates et al.
 2019/0217153 A1 7/2019 Bayerlein et al.
 2019/0314674 A1* 10/2019 Chen A63B 22/20
 2019/0374811 A1* 12/2019 Bayerlein A63B 22/02
 2020/0171353 A1* 6/2020 Fima A63B 22/02
 2020/0179789 A1* 6/2020 Fima A63B 24/0087
 2020/0188760 A1 6/2020 Bandini et al.
 2020/0215391 A1 7/2020 Paganelli et al.
 2020/0254293 A1* 8/2020 Bayerlein A63B 23/04

FOREIGN PATENT DOCUMENTS

CN 201006229 1/2008
 CN 201030178 3/2008
 CN 201333278 10/2009
 CN 102309835 A 1/2012
 DE 10 2005 009 414 9/2006
 DE 20-2006-005995 9/2006

EP 1 466 651 A1 10/2004
 GB 2 223 685 A 4/1990
 JP 3148743 2/2009
 KR 2009007043 1/2009
 KR 10-2016-0150084 A 12/2016
 WO WO-2009/014330 A1 1/2009
 WO WO-2010/057238 A2 5/2010
 WO WO-2010/107632 9/2010
 WO WO-2014/160057 10/2014
 WO WO-2016/163680 A1 10/2016

OTHER PUBLICATIONS

U.S. Appl. No. 61/280,265, filed Nov. 2, 2009, Astilean, Aurel A. Andrews et al., The Effect of an 80-Minute Intermittent Running Protocol on Hamstrings Strength Abstract, NSCA Presentation, Jul. 15, 2006, 1 page.
 Astilean, Alex, YouTube Video entitled “SpeedFit—Speedboard—First Curve Prototype” retrieved from the internet at: <https://www.youtube.com/watch?v=dO9h-F-JVCU> on Apr. 6, 2015, 49 pages of screenshots.
 Biodex Medical Systems, Inc., “The Biodex RTM Rehabilitation Treadmill Operation Manual”, believed to have published 2002, 48 pages.
 Brughelli et al., Effects of Running Velocity on Running Kinetics and Kinematics, Journal of Strength and Conditioning Research, Apr. 2011, 7 pages.
 Buchheit et al., “Assessing Stride Variables and Vertical Stiffness with GPS-Embedded Accelerometers: Preliminary Insights for Monitoring of Neuromuscular Fatigue on the Field”, Dec. 2015.
 Coolthings, “Woodway EcoMill: A Non-Motorized Treadmill with Electronic Displays”, Jun. 4, 2009, <https://www.coolthings.com/woodway-ecomill-a-non-motorized-treadmill-with-electronic-displays/>, 1 page.
 Curvature, <http://en.wikipedia.org/wiki/Curvature>, Mar. 3, 2010, 1 page.
 Discovery Channel, “Wreckreation Nation”, Season 1, Episode 8, first aired Feb. 24, 2009, 9 pages of screenshot excerpts.
 EMS-Grivory Grivory GV-5H Black 9915 Nylon Copolymer, 50% Glass Fiber Filled, As Conditioned, believed to be publically available before Sep. 16, 2011, 2 pages.
 Hall, The Rotary Treadwheel, available at least as early as Nov. 2011, 1 page.
 HDT Expeditionary Systems, Inc., “KineAssist-MX Owner’s Manual vG”, 2015, 73 pages.
 Hersher, Perfect Landing, <http://news.harvard.edu/gazette/story/2010/01/different-strokes/>, Jan. 27, 2010, 5 pages.
 Hopker et al., Familiarisation and Reliability of Sprint Test Indices During Laboratory and Field Assessment, Journal of Sports Science and Medicine, Dec. 1, 2009, 5 pages.
<http://www.gettyimages.com/detail/463782507>, Animal treadmill c. 1872, Museum of Science and Industry, Chicago, 3 pps.
<http://www.gettyimages.com/license/542395667>, 1930 era treadmill, 1 page.
http://www.mpiwg-berlin.mpg.de/resrep00_01/Jahresbericht_2_2_section.html, 27 pps.
 Integrated Performance Systems, LLC, Conditioning in a Professional Athlete Case Study, 2005, 1 page.
 Integrated Performance Systems, LLC, Lower Extremity Rehabilitation & Assessment Case Study, 2005, 2 pages.
 Integrated Performance Systems, LLC, Youth Athlete-Speed Training Case Study, 2005, 2 pages.
 International Preliminary Report for Application No. PCT/US2010/026731, dated Sep. 29, 2011, 7 pages.
 International Preliminary Report for Application No. PCT/US2010/027543, dated Sep. 29, 2011, 9 pages.
 International Search Report and Written Opinion for Application No. PCT/US2010/026731, dated May 4, 2010, 8 pages.
 International Search Report and Written Opinion for Application No. PCT/US2010/027543, date May 12, 2010, 10 pages.
 International Search Report and Written Opinion for International Application No. PCT/US2016/055572, dated Feb. 17, 2017, 9 pages.

(56)

References Cited

OTHER PUBLICATIONS

International Search Report, PCT/US2017/040449, dated Oct. 11, 2017, 6 pages.

International Standard ISO 20957-6:2005(E), for Stationary training equipment—Part 6: Treadmills, additional specific safety requirements and test methods, First edition May 1, 2005, 18pps.

Introducing the New Force 3 Treadmill Advanced Analysis Package, www.fittech.com.au, believed to be publically available before Sep. 16, 2011, 3 pages.

Lieberman et al., Running Barefoot, Forefoot Striking & Training Tips, <http://www.barefootrunning.fas.harvard.edu/5BarefootRunning&TrainingTips.html>, Feb. 26, 2010, 5 pages.

Lieberman et al., Running Barefoot: Biomechanics of Foot Strike, <http://www.barefootrunning.fas.harvard.edu/4Biomechanicsof-FootStrike.html>, Feb. 26, 2010, 6 pages.

Lieberman et al., Running Barefoot: Biomechanics of Foot Strikes & Applications to Running Barefoot or in Minimal Footwear, <http://www.barefootrunning.fas.harvard.edu/index.html>, Feb. 26, 2010, 2 pages.

Lieberman et al., Running Barefoot: FAQ, <http://www.barefootrunning.fas.harvard.edu/6FAQ.html>, Feb. 26, 2010, 3 pages.

Lieberman et al., Running Barefoot: Heel Striking & Running Shoes, <http://www.barefootrunning.fas.harvard.edu/2FootStrikes&RunningShoes.html>, Feb. 26, 2010, 2 pages.

Lieberman et al., Running Barefoot: Running Before the Modern Shoe, <http://www.barefootrunning.fas.harvard.edu/3RunningBeforeTheModernShoe.html>, Feb. 26, 2010, 4 pages.

Lieberman et al., Running Barefoot: Why Consider Foot Strike, <http://www.barefootrunning.fas.harvard.edu/1WhyConsiderFootStrike.html>, Feb. 26, 2010, 1 page.

Liszewski, Andrew, “EcoMill Treadmill Generates Its Own Power”, Jun. 1, 2009, <http://www.ohgizmo.com/2009/06/04/ecomill-treadmill-generates-its-own-power/>, 1 page.

Moody, The Effects Resisted Sprint Training on Speed, Agility and Power Production in Young Athletes, believed to be publically available before Dec. 31, 2006, 5 pages.

NASA, “Combined Operational Load Bearing External Resistance Treadmill (COLBERT)”, Aug. 2009, 3 pages.

NASA, “International Space Station: Combined Operational Load Bearing External Resistance Treadmill (COLBERT)”, Jul. 19, 2017, https://www.nasa.gov/mission_pages/station/research/experiments/765.html, 4 pages.

NASA, “International Space Station: Do Tread on Me”, Aug. 19, 2009, https://www.nasa.gov/mission_pages/station/behindscenes/colbert_feature.html, 2 pages.

NASA, “International Space Station: Treadmill with Vibration Isolation and Stabilization System (TVIS)”, May 17, 2018, https://www.nasa.gov/mission_pages/station/research/experiments/976.html, 5 pages.

NASA, “Space Shuttle Mission STS-128: Racking Up New Science”, Press Kit, Aug. 2009, 116 pages.

Nexus Resin Group, 10124 Antistat, believed to be publically available before Sep. 16, 2011, 2 pages.

OSHA 1926.307, 9 pps.

Owners Manual for NordicTrack WalkFit Classic Treadmill, received on Mar. 2, 2017, 30 pps.

Owners Manual, Force 1, Nov. 29, 2007, 44 pages.

Owners Manual, Force 3, Jan. 28, 2009, 45 pages.

Owners Manual, The Force, Dec. 18, 2008, 68 pages.

Photographs of public display of Speedfit Speedboard by Woodway presented at IHRS A Tradeshow on Mar. 17, 2009, 8 pages.

Photographs produced to Woodway at least by Nov. 10, 2014 in litigation, *Speedfit LLC and Aurel A. Astilean v. Woodway USA, Inc.*, No. 2:13-cv-01276-KAM-AKT, 11 pages.

Plantar Fascia, http://en.wikipedia.org/wiki/Plantar_fascia, Mar. 3, 2010, 3 pages.

Ross et al., The Effects of Treadmill Sprint Training and Resistance Training on Maximal Running Velocity and Power, National Strength and Conditioning Association, Mar. 2009, 10 pages.

Sirotic et al., Physiological and Performance Test Correlates of Prolonged, High-Intensity, Intermittent Running Performance in Moderately Trained Women Team Sport Athletes, *Journal of Strength and Conditioning Research*, 2007, 7 pages.

Sirotic et al., The Reliability of Physiological and Performance Measures During Simulated Team-Sport Running on a Non-Motorised Treadmill, *Journal of Science and Medicine in Sport*, Apr. 11, 2007, 10 pages.

Soccer International, The Red Devil’s in the Details, dated Jun. 2010, 4 pages.

Southern Research et al., “AIMTech Project Brief”, Oct. 20, 2015, 2 pages.

Southern Research et al., “Resist Force-Induced Treadmill”, 2 pages.

Speedfit, video produced to Woodway at least by Nov. 10, 2014 in litigation, *Speedfit LLC and Aurel A. Astilean v. Woodway USA, Inc.*, No. 2:13-cv-01276-KAM-AKT, 21 pages of screenshot excerpts.

Speedfit, video produced to Woodway at least by Nov. 10, 2014 in litigation, *Speedfit LLC and Aurel A. Astilean v. Woodway USA, Inc.*, No. 2:13-cv-01276-KAM-AKT, 23 pages of screenshot excerpts.

Tecmachine, “Sprint Club: User’s Guide”, believed to have published 2002, 33 pages.

The Australian Competition & Consumer Commission’s Mandatory Safety Standard For Treadmills (Supplier Guide), 2009, 20 pps.

The Woodway Force Brochure, The Best Way to Train for Speed & Athletic Power, dated May 5, 2005, 2 pages.

Woodway USA, Inc., “Treadmill Owner’s Manual”, Oct. 2001, 56 pages.

Woodway USA, Inc., EcoMill Promotional Flyer, Oct. 18, 2011, 1 page.

Woodway USA, Inc., Owner’s Manual: EcoMill Non-Motorized, Jun. 4, 2010, 35 pages.

Woodway, “Introducing the All New EcoMill Self Powered”, published to YouTube on Mar. 25, 2010, <https://www.youtube.com/watch?v=NcPH92DAArc>.

Woodway, Curve 3.0 Specification, May 25, 2011, 1 page.

Woodway, Curve Specification, May 24, 2011, 1 page.

Woodway, Curve Specification, May 25, 2011, 1 page.

Woodway, Curve XL Specification, May 18, 2011, 1 page.

Woodway, Force Specification, Apr. 8, 2008, 1 page.

Woodway, Force Specification, May 2, 2011, 1 page.

Woodway, Force Specification, May 2, 2012, 1 page.

Sears, Roebuck and Co., 1986 Spring Summer Centennial Edition Catalog, Jan. 1, 1985, Curved Exerciser models 1 and 2 on pp. 496 and 497.

* cited by examiner

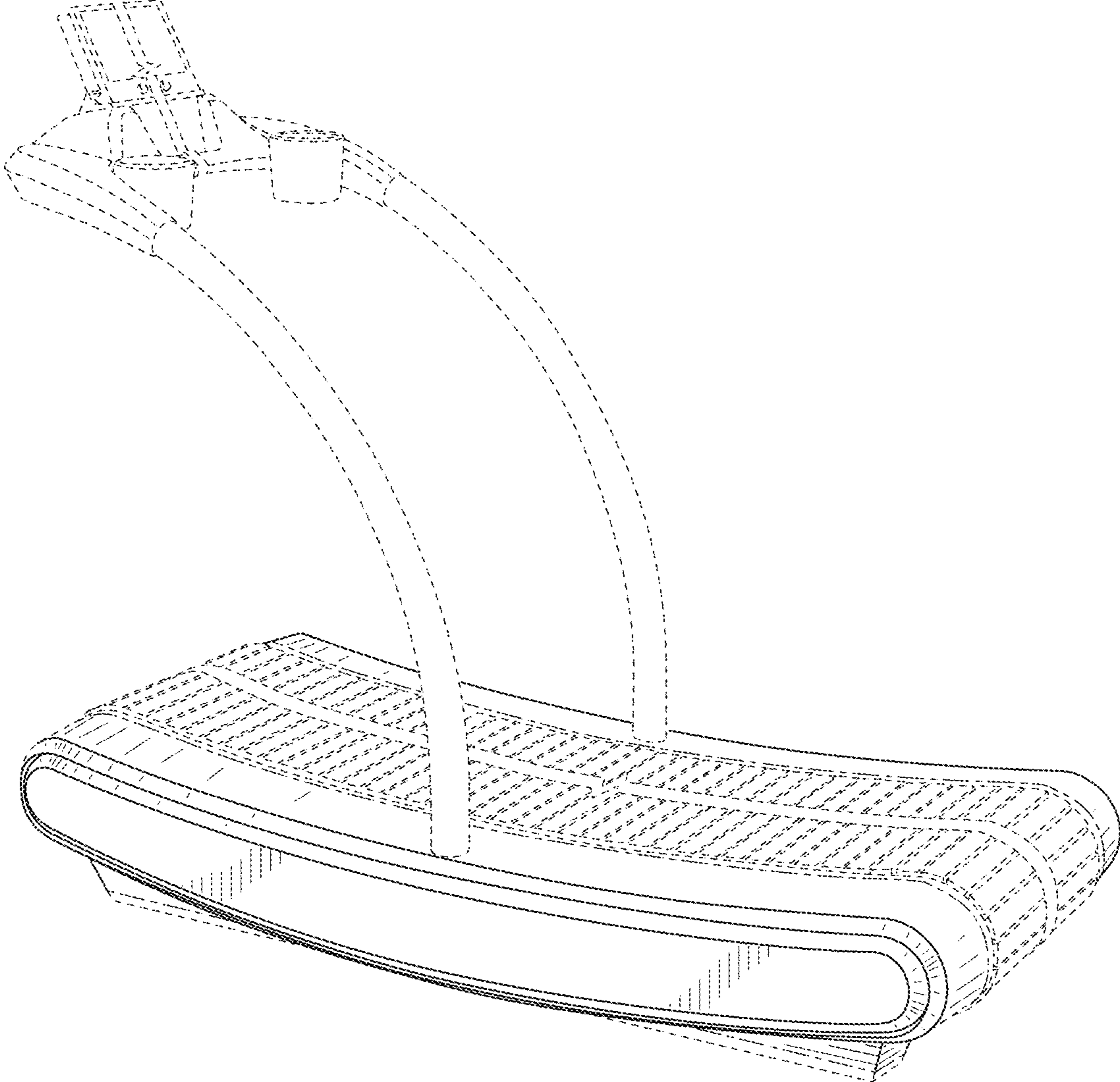


FIG. 1

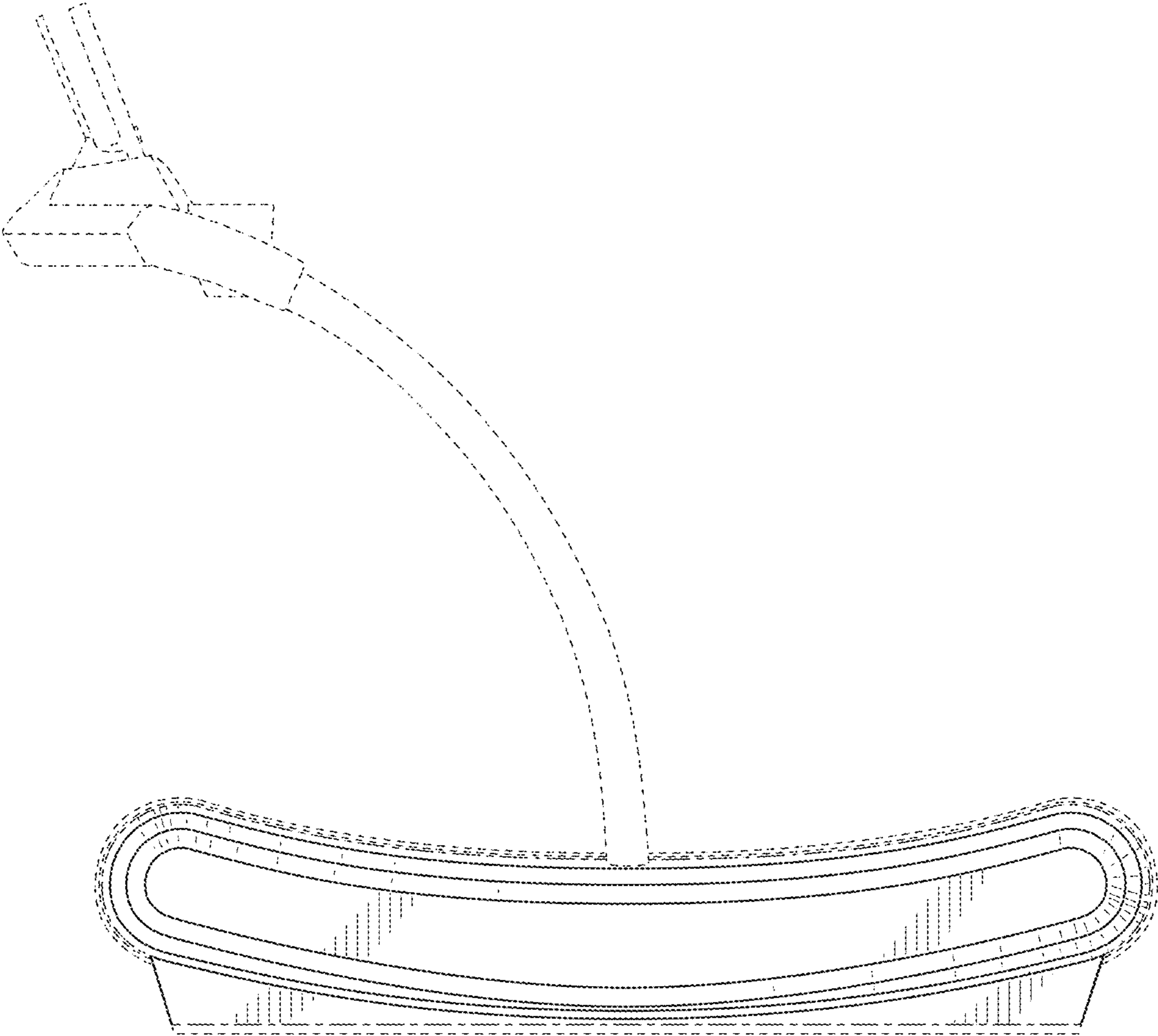


FIG. 2

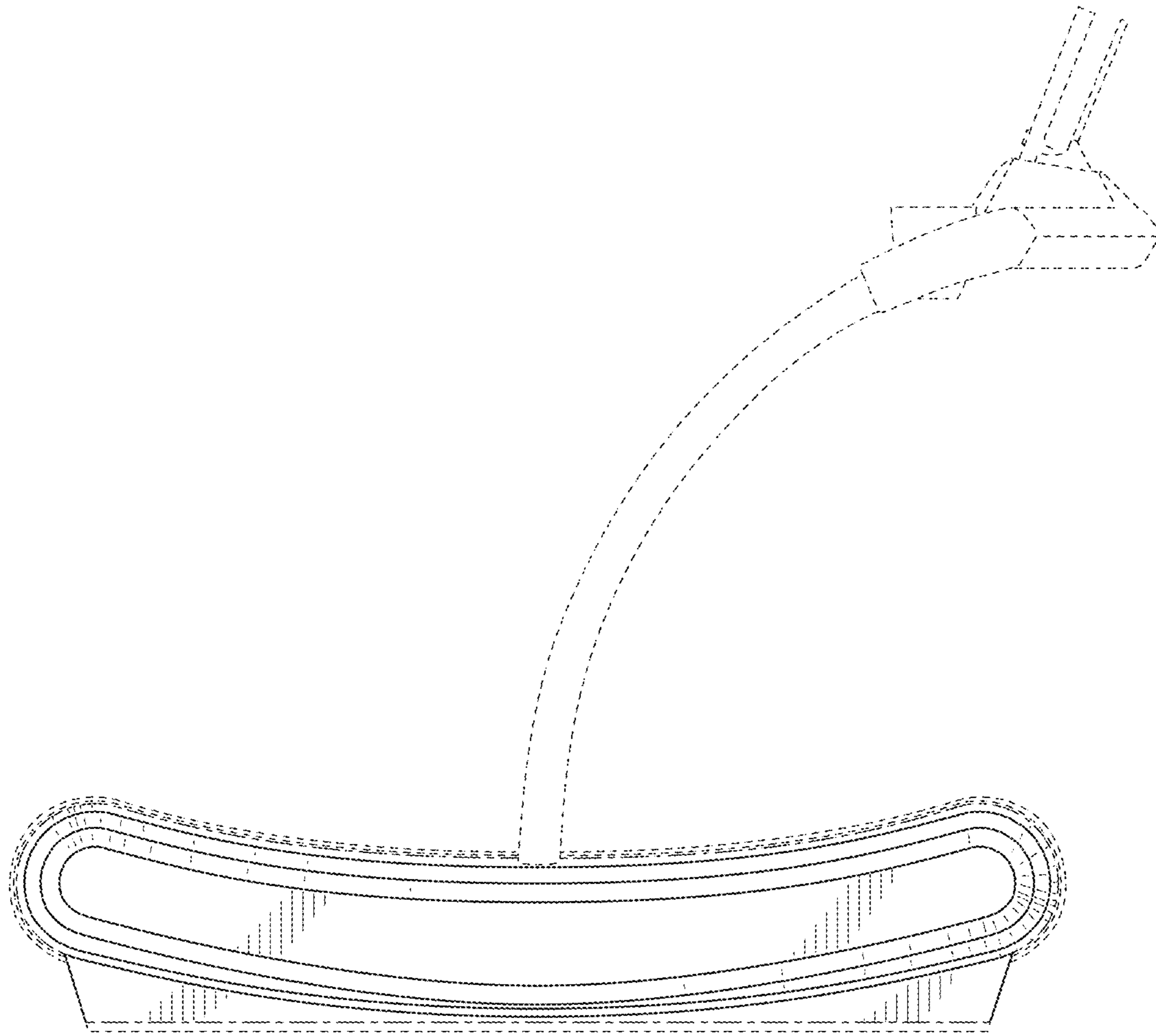


FIG. 3

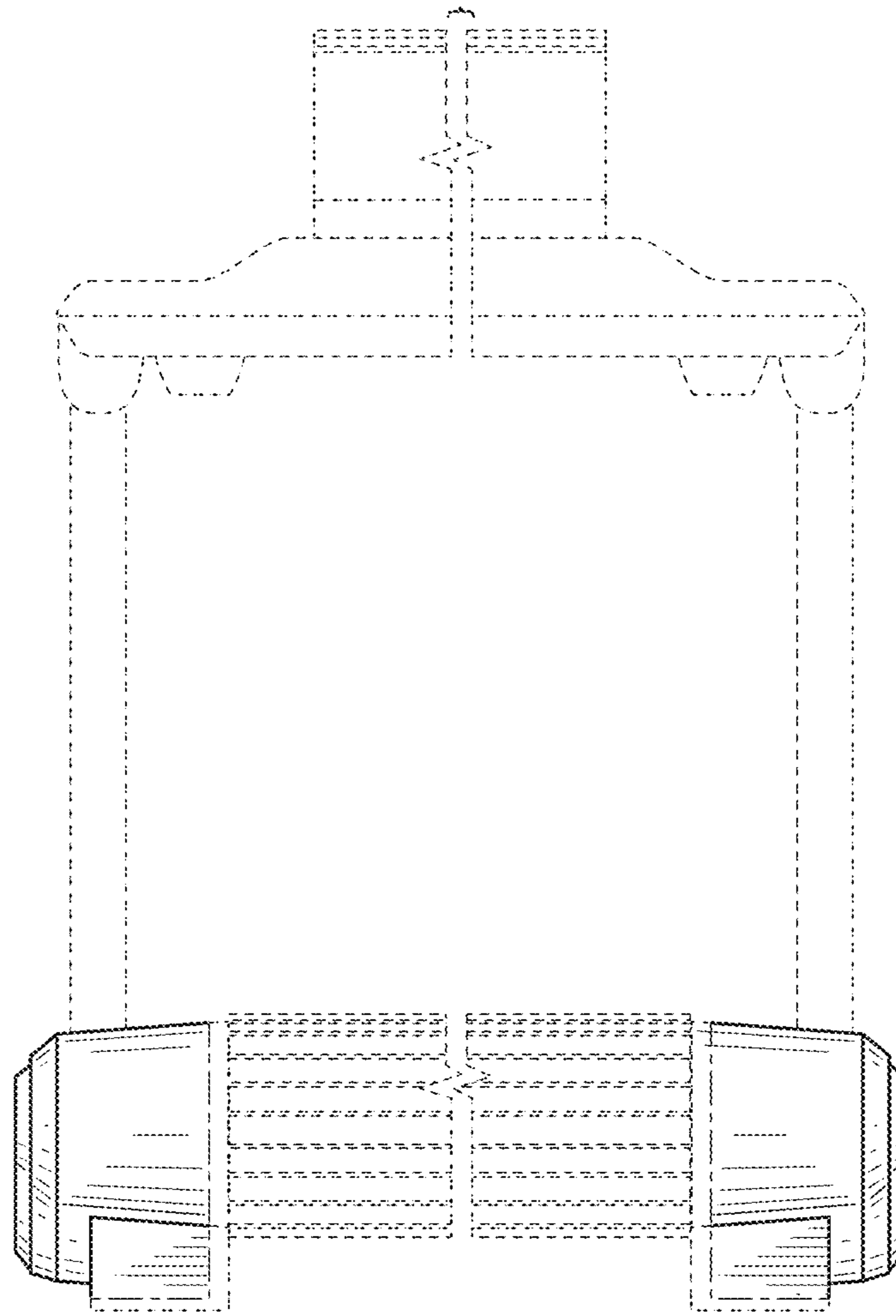


FIG. 4

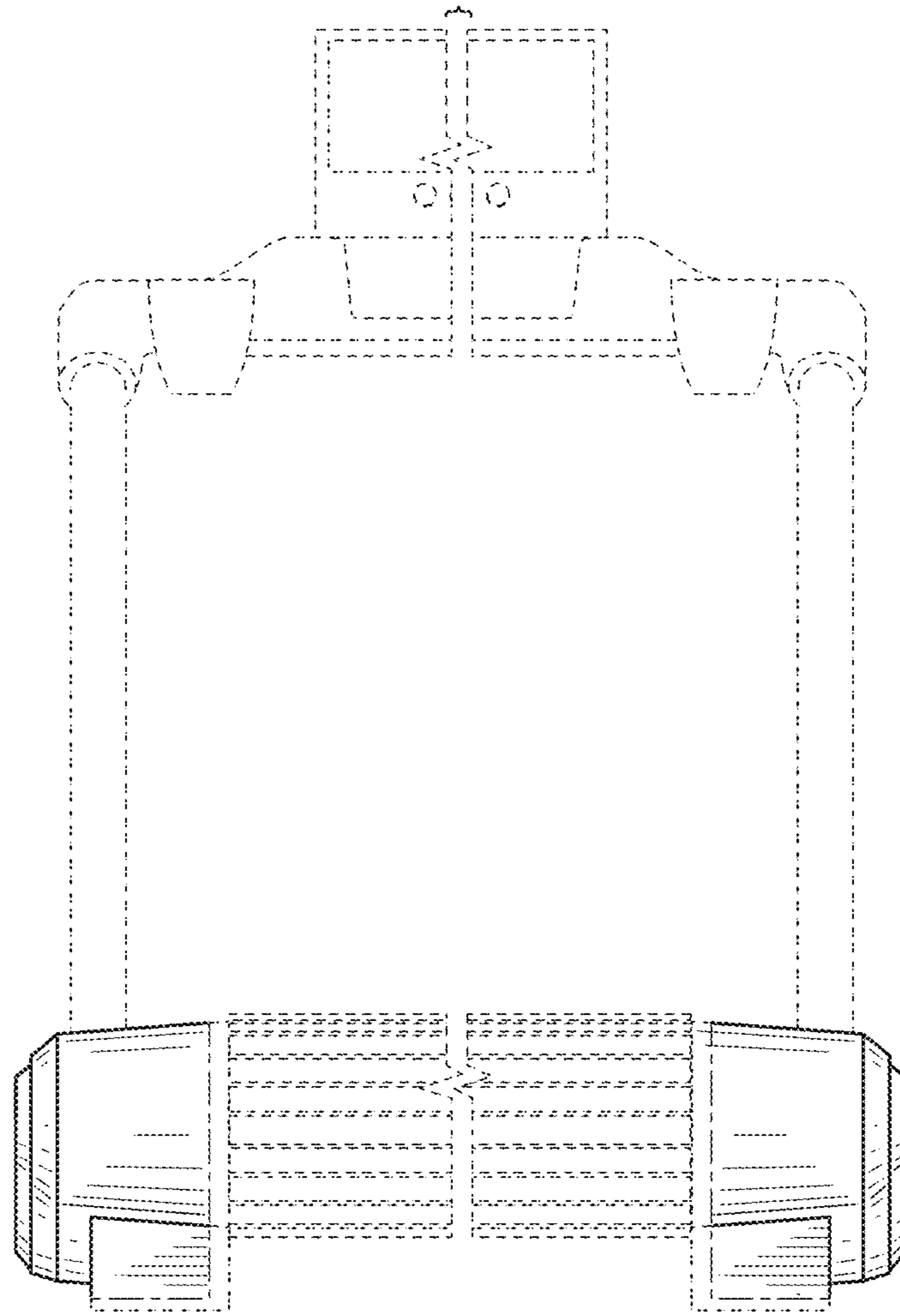


FIG. 5

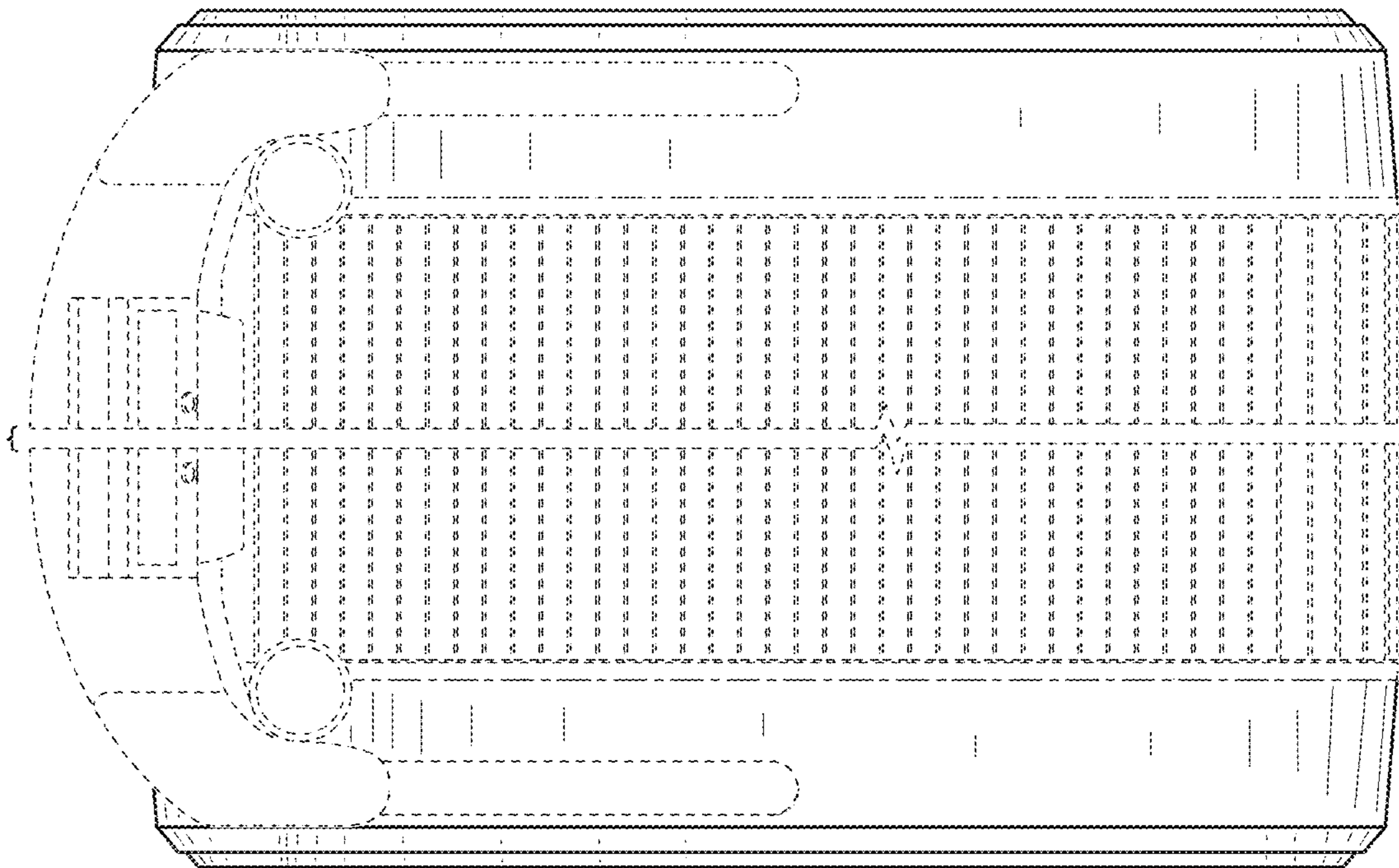


FIG. 6

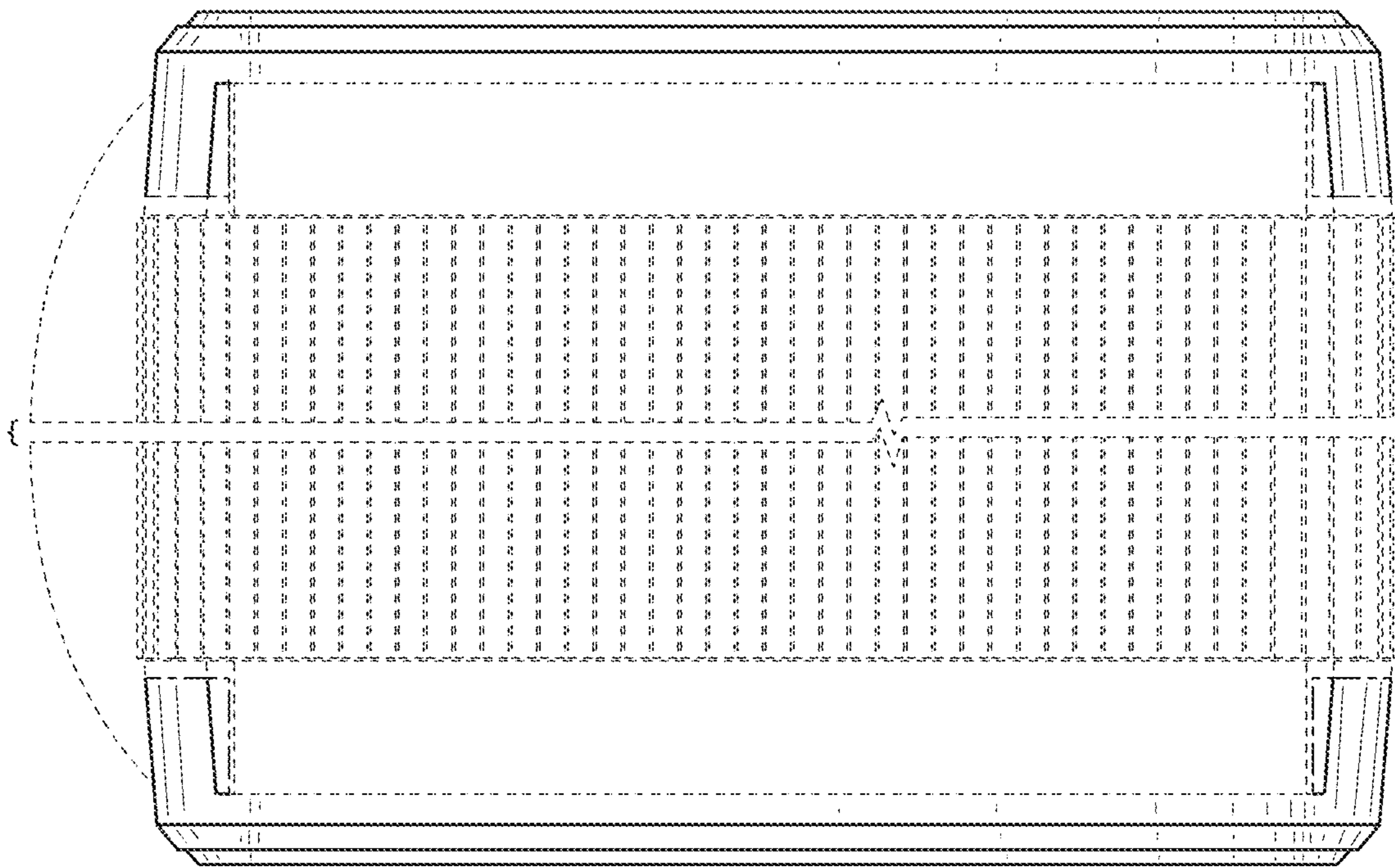


FIG. 7