



US00D930087S

(12) **United States Design Patent**
Barajas et al.

(10) **Patent No.:** **US D930,087 S**
(45) **Date of Patent:** **** Sep. 7, 2021**

(54) **MODEL VEHICLE BODY ASSEMBLY**

(71) Applicant: **TRAXXAS LP**, McKinney, TX (US)

(72) Inventors: **Jaime Felix Barajas**, Dallas, TX (US);
Skylar Hagler, Anna, TX (US); **Otto Karl Allmendinger**, Rowlett, TX (US);
Kent Poteet, Lucas, TX (US); **Jory Sprowl**, Honey Grove, TX (US); **Adam Cole Ewing**, McKinney, TX (US)

(73) Assignee: **TRAXXAS LP**, McKinney, TX (US)

(**) Term: **15 Years**

(21) Appl. No.: **29/688,170**

(22) Filed: **Apr. 18, 2019**

(51) **LOC (13) Cl.** **21-01**

(52) **U.S. Cl.**
USPC **D21/562**

(58) **Field of Classification Search**
USPC D12/13-15, 82, 83, 86, 88, 89, 90, 91,
D12/93, 94, 95, 97, 98, 99; D21/424,
D21/427, 433, 434, 477, 483, 533, 535,
D21/548-563, 580, 581; 296/181.1,
296/181.5, 181.3, 183.1, 37.6, 177, 178,
296/180; 446/88, 93, 95, 102, 448
CPC B60R 9/06; B62D 35/00; B60C 2200/20;
B62B 5/0033; A63H 17/162; A63H
17/262; A63H 17/264; A63H 17/38;
A63H 17/004; A63H 17/26; A63H
17/266; A63H 17/36;

(Continued)

(56) **References Cited**

U.S. PATENT DOCUMENTS

D203,841 S 2/1966 Power
3,464,153 A 9/1969 Small
3,537,210 A 11/1970 Ieda

(Continued)

FOREIGN PATENT DOCUMENTS

CN 3240357 * 6/2002
CN 3562952 9/2006

(Continued)

OTHER PUBLICATIONS

“RC vs. Full-Size Monster Truck!! | Traxxas X-Maxx,” Nov. 13, 2017, youtube.com, site visited Apr. 1, 2021, URL: <https://www.youtube.com/watch?v=ur48H0Tv6cg> (Year: 2017).*

(Continued)

Primary Examiner — Eric L Goodman

Assistant Examiner — Sarah L Smith

(74) *Attorney, Agent, or Firm* — Daryl R. Wright; Greg Carr

(57) **CLAIM**

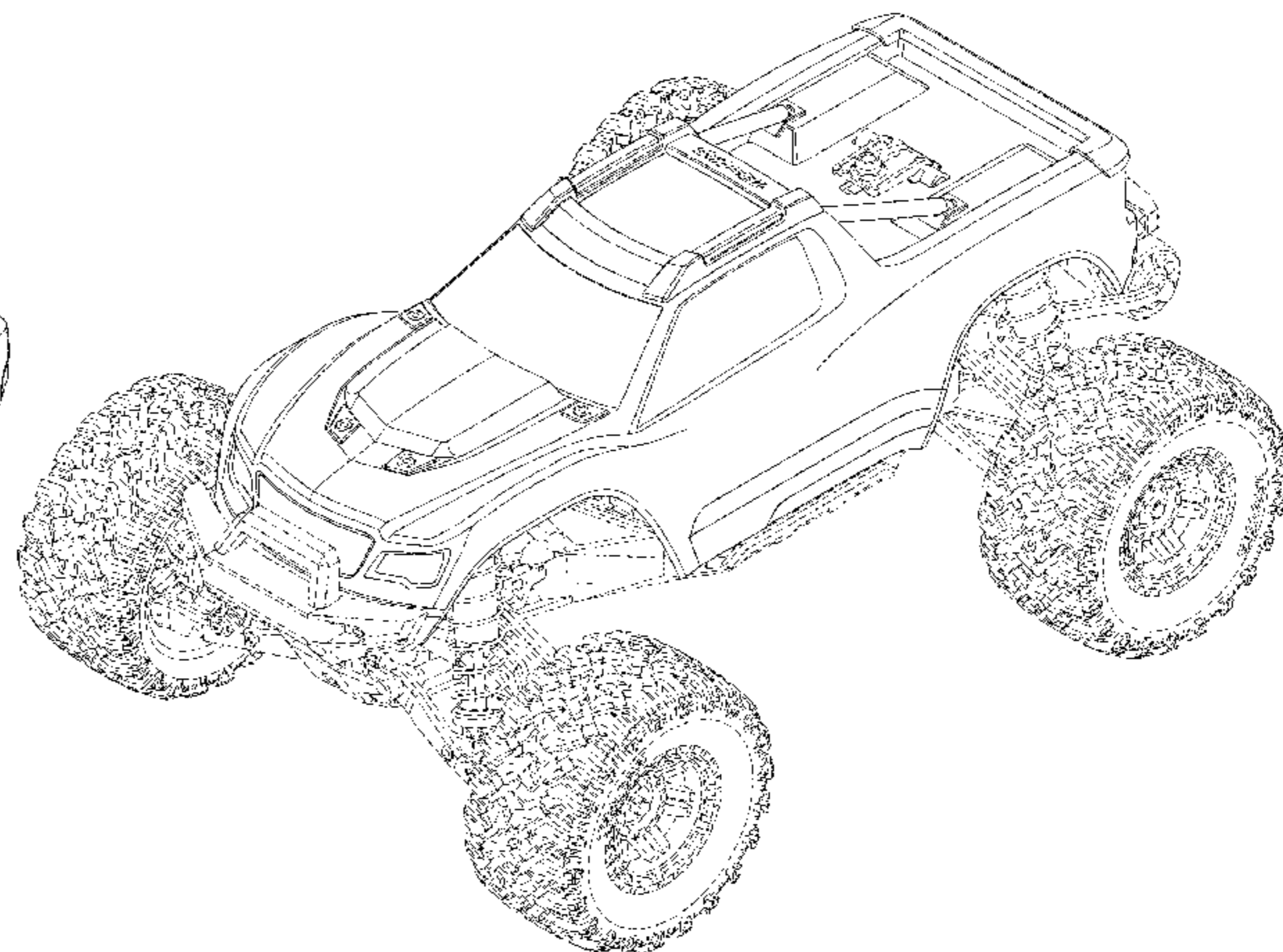
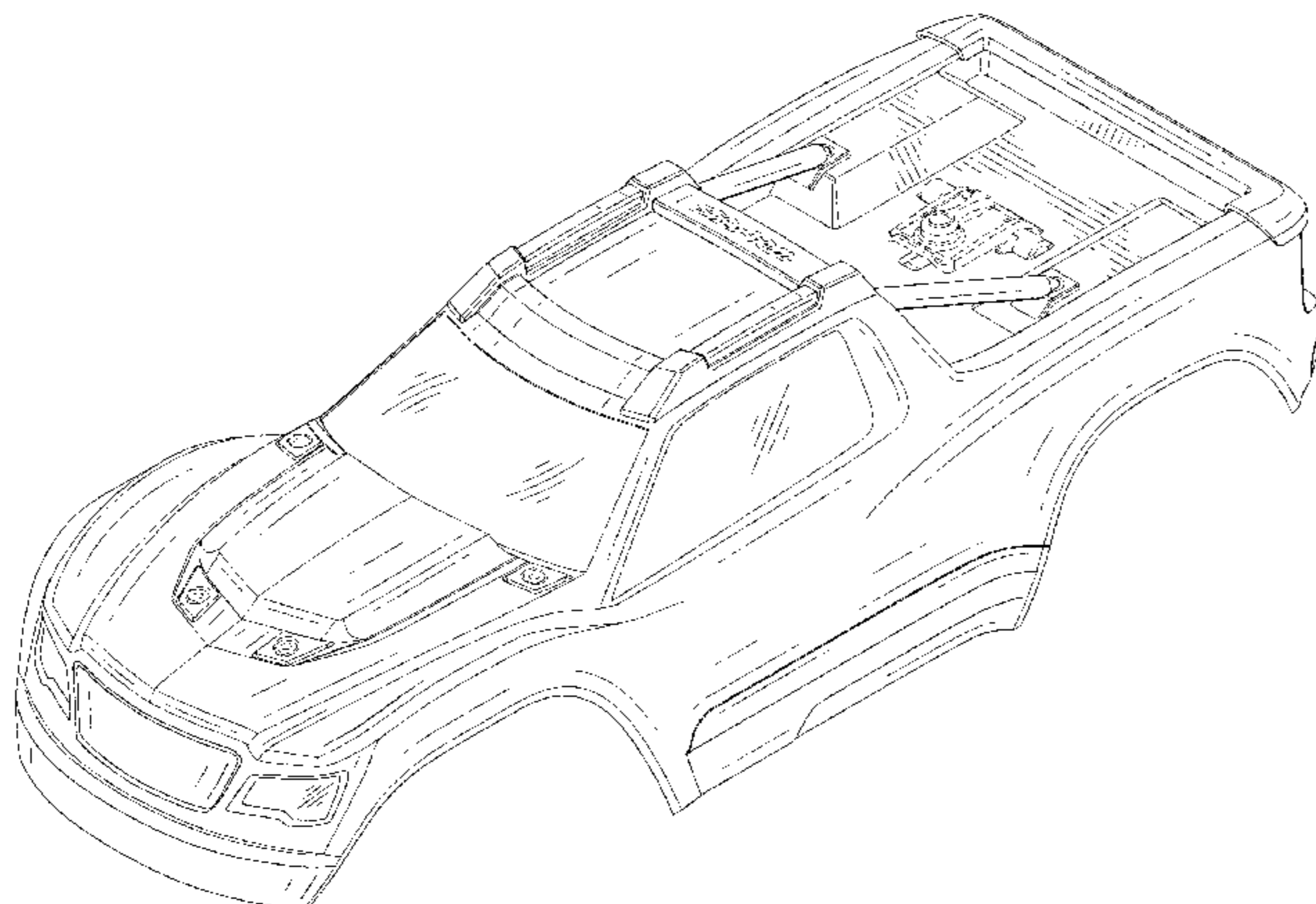
We claim the ornamental design for a model vehicle body assembly, as shown and described.

DESCRIPTION

FIG. 1 is an upper, left, front perspective view of a model vehicle body assembly;
FIG. 2 is front elevation view thereof;
FIG. 3 is a rear elevation view thereof;
FIG. 4 is a left side elevation view thereof;
FIG. 5 is a right side elevation view thereof;
FIG. 6 is a top plan view thereof;
FIG. 7 is a bottom plan view thereof; and,
FIG. 8 is an upper, left, front perspective environmental use view.

In the drawings, the broken line showing of features of a model vehicle body assembly illustrate portions of the model vehicle body assembly that form no part of the claimed design; whereas, the broken line showing of features of the environmental use view depicts environmental subject matter and is provided for the purposes of illustrating environmental use structure and context.

1 Claim, 6 Drawing Sheets



(58) **Field of Classification Search**
 CPC A63H 29/00; A63H 29/22; A63H 29/24;
 A63H 30/04
 See application file for complete search history.

D827,054 S 8/2018 Ewing et al.
 D827,056 S 8/2018 Poteet et al.
 D828,796 S * 9/2018 Allmendinger D12/171
 D832,368 S * 10/2018 Barajas A63H 29/00
 D21/561

(56) **References Cited**

U.S. PATENT DOCUMENTS

D243,595 S 3/1977 Belz
 D251,725 S 5/1979 Cesaro
 D253,406 S 11/1979 Carabetta
 D254,128 S 2/1980 Carabetta
 D277,494 S * 2/1985 Lerch D21/559
 D281,000 S * 10/1985 Kuna D21/559
 D288,681 S 3/1987 Telnack
 D293,310 S 12/1987 Clark et al.
 D293,564 S 1/1988 Mayhew et al.
 D307,248 S 4/1990 Dettling
 5,102,367 A 4/1992 Mullaney et al.
 5,228,880 A 7/1993 Meyer et al.
 5,267,888 A 12/1993 Hippely et al.
 5,297,982 A * 3/1994 Filoseta A63H 29/00
 180/338
 5,334,078 A 8/1994 Hippely et al.
 D385,245 S 10/1997 Gallitzendoerfer et al.
 D404,691 S 1/1999 Gerisch et al.
 D425,141 S * 5/2000 Park D21/550
 D458,188 S 6/2002 Wyszogrod et al.
 D466,451 S 12/2002 Trostle et al.
 D496,409 S 9/2004 Tilbor
 D529,967 S 10/2006 Bowen et al.
 D538,861 S 3/2007 Takahashi
 7,217,170 B2 5/2007 Moll et al.
 D547,249 S 7/2007 Kurtz et al.
 D550,311 S 9/2007 Chen
 D566,788 S 4/2008 Pasko
 D566,789 S * 4/2008 Idiot D21/552
 D566,790 S 4/2008 Idiot
 D567,301 S 4/2008 Idiot
 D567,886 S 4/2008 Lampert et al.
 D570,735 S 6/2008 Ogihara
 7,387,558 B2 6/2008 Swisher et al.
 D579,823 S 11/2008 Choi
 D592,256 S 5/2009 Yaguchi
 D593,163 S 5/2009 Torres et al.
 D598,811 S 8/2009 Honeycutt et al.
 D603,295 S 11/2009 Honeycutt et al.
 D605,083 S 12/2009 Manoogian, II et al.
 D612,767 S 3/2010 Barkan
 D617,851 S 6/2010 Stoddard
 D630,971 S 1/2011 Jung
 D671,454 S 11/2012 Davidson et al.
 8,342,904 B2 1/2013 Torres
 D693,737 S 11/2013 Hammoud et al.
 D703,101 S 4/2014 deNatale et al.
 D707,608 S 6/2014 Smith
 D709,007 S 7/2014 Henry et al.
 D709,008 S 7/2014 Brzustowicz et al.
 D709,009 S 7/2014 Brzustowicz et al.
 D728,037 S 4/2015 Barajas et al.
 D740,180 S 10/2015 Agnew et al.
 D740,181 S 10/2015 Agnew et al.
 D741,416 S 10/2015 Barajas et al.
 D741,956 S 10/2015 Barajas et al.
 D769,378 S 10/2016 Belker et al.
 D770,339 S 11/2016 Lindsey
 D770,350 S 11/2016 Lindsey
 D770,575 S 11/2016 Belker et al.
 D771,202 S 11/2016 Gan
 D771,203 S 11/2016 Gan
 D777,619 S * 1/2017 Barajas D12/171
 D792,526 S 7/2017 Belker et al.
 D802,685 S 11/2017 Barajas et al.
 D822,126 S 7/2018 Allmendinger et al.
 D826,341 S 8/2018 Poteet et al.
 D826,342 S 8/2018 Poteet et al.
 D826,343 S 8/2018 Poteet et al.

D839,363 S 1/2019 Ewing et al.
 D841,743 S 2/2019 Barajas et al.
 D842,386 S 3/2019 Barajas et al.
 D842,387 S 3/2019 Barajas et al.
 D847,724 S 5/2019 Sprowl et al.
 D851,183 S 6/2019 Wood et al.
 D856,432 S 8/2019 Ewing et al.
 D862,610 S * 10/2019 Barajas A63H 31/08
 D21/548
 D862,611 S * 10/2019 Barajas D21/548
 D862,612 S 10/2019 Sprowl et al.
 D865,569 S 11/2019 Jeung et al.
 D867,474 S 11/2019 Ewing et al.
 D869,570 S 12/2019 Barajas
 D870,211 S * 12/2019 Wozniak D21/562
 D870,824 S * 12/2019 Barajas D21/562
 D875,647 S * 2/2020 Barajas D12/548
 D876,555 S * 2/2020 Barajas D21/548
 D877,055 S 3/2020 Christensen et al.
 D879,212 S * 3/2020 Barajas D21/562
 D885,302 S * 5/2020 Sprowl D12/401
 D891,356 S * 7/2020 Sprowl D12/401
 D896,709 S 9/2020 Ewing et al.
 D899,917 S 10/2020 Sprowl et al.
 D900,250 S 10/2020 Ewing et al.
 D901,288 S 11/2020 Sprowl et al.
 D902,089 S 11/2020 Ewing et al.
 D902,090 S 11/2020 Ewing et al.
 D902,091 S 11/2020 Ewing et al.
 D904,244 S 12/2020 Wood et al.
 D904,530 S * 12/2020 Sprowl D21/548
 D904,531 S * 12/2020 Barajas D21/552
 D904,532 S 12/2020 Ewing et al.
 D905,798 S 12/2020 Ewing et al.
 D905,799 S 12/2020 Ewing et al.
 D908,177 S * 1/2021 Sprowl D21/552
 2003/0046802 A1 3/2003 Chernoff et al.
 2008/0070475 A1 3/2008 Hippely
 2010/0078967 A1 4/2010 Boettcher
 2010/0112897 A1 5/2010 Ribbe
 2014/0051327 A1 2/2014 O'Connor et al.
 2016/0038846 A1 2/2016 Colquhoun et al.
 2017/0080350 A1 * 3/2017 Allmendinger A63H 31/08
 2019/0160386 A1 5/2019 Kwan
 2019/0381416 A1 12/2019 Christensen et al.
 2020/0269150 A1 8/2020 Roberts et al.

FOREIGN PATENT DOCUMENTS

CN 302322638 * 2/2013
 CN 302781769 * 4/2014
 CN 303455430 * 11/2015
 CN 303934567 11/2016
 CN 303950722 11/2016
 CN 303988879 12/2016
 EM 000850979-0003 * 2/2008
 EM 005817137-0002 * 11/2018
 WO D095551-006 * 4/2017

OTHER PUBLICATIONS

“1/10 AMP MT 2WD Monster Truck,” Nov. 25, 2017 (in review), horizonhobby.com, site visited Apr. 1, 2021, URL: <https://www.horizonhobby.com/product/1-10-amp-mt-2wd-monster-truck-brushed-btd-kit-with-unpainted-body/ECX03034.html> (Year: 2017).
 “T-Maxx 3.3: Pure Nitro Power | Traxxas,” Aug. 20, 2018, youtube.com, site visited Apr. 1, 2021, URL: <https://www.youtube.com/watch?v=YLf3m92MoQ4> (Year: 2018).
 “Traxxas,” Feb. 20, 2018, facebook.com, site visited Apr. 1, 2021, URL: <https://www.facebook.com/traxxas/photos/1612706215444066> (Year: 2018).*

(56)

References Cited

OTHER PUBLICATIONS

“Hot Wheels Monster Trucks Hot Wheels Racing Vehicle,” Aug. 29, 2018, amazon.com/au, site visited Apr. 5, 2021, URL: https://www.amazon.com.au/Hot-Wheels-Monter-Truck-Multi/dp/B07GB4B5B/ref=sr_1_94?dchild=1&keywords=toy+dump+truck&qid=1617620649&sr=8-94 (Year: 2018).*

Hot Wheels Skull Crusher Diecast Toy Car-Race Vehicle by Mattel-Auto Racing Toys Cars Collection, Feb. 22, 2012, [online], [Retrieved on Aug. 10, 2015] URL: <https://www.youtube.com/watch?v=fR1BWC9bqzM>.

Protoform; Protoform Ford GT 2017; <http://racepf.com/on-road-1-10-1-12/ford-gt-clear-body/>; Sep. 2016.

Monster truck 3d model, Earliest Available Date Sep. 20, 2019 [Online], [Site Visited Oct. 20, 2020] Available From Internet, URL: <https://www.turbosquid.com/3d-models/monster-truck-3d-model/488288> (Year: 2019).

Pro-Line Trencher LP 3.8" All Terrain Tires Mounted, Earliest Available Date Oct. 20, 2020 [Online], [Site Visited Oct. 20, 2020] Available From Internet, URL: https://www.rccaraction.com/pro-line-trencher-lp-3-8-terrain-tires-mounted/#visitor_pref_pop (Year: 2020).

“Extreme Power | Traxxas 8s X-Maxx,” Feb. 13, 2017, youtube.com, site visited Mar. 16, 2021, URL: <https://www.youtube.com/watch?v=Jta7T48SopQ> (Year: 2017).

“Horizon Hobby,” Nov. 24, 2018, facebook.com, site visited Mar. 16, 2021, URL: <https://www.facebook.com/HorizonHobby/photos/10156482477308935> (Year: 2018).

“VCANNY Remote Control Car,” Dec. 1, 2018, amazon.com, site visited Mar. 16, 2021, URL: https://www.amazon.com/VCANNY-Control-Terrain-Electric-Monster/dp/B07H4KCP6M/ref=sr_1_16?dchild=1&keywords=rc+trucks&qid=1615896440&sr=8-16 (Year: 2018).

“Traxxas,” Apr. 3, 2019, facebook.com, site visited Mar. 15, 2021, URL: <https://www.facebook.com/traxxas/photos/2161570843890931> (Year: 2019).

“Traxxas,” Jan. 23, 2019, facebook.com, site visited Mar. 15, 2021, URL: <https://www.facebook.com/traxxas/photos/2055081154539901> (Year: 2019).

“Monster Truck Racing League,” Feb. 14, 2019, facebook.com, site visited Mar. 16, 2021, URL: <https://www.facebook.com/monstertruckracingleague/photos/2432219630122631> (Year: 2019).

“Traxxas X-Maxx: The Evolution of Tough,” Oct. 30, 2015, youtube.com, site visited Apr. 1, 2021, URL: <https://www.youtube.com/watch?v=s22fCy4SYRA> (Year: 2015).

“Everything I’ve Broke in 1 year on my Traxxas X-Maxx V2 8s,” Apr. 25, 2018, youtube.com, site visited Apr. 1, 2021, URL: <https://www.youtube.com/watch?v=G6mswb1SeMk> (Year: 2018).

* cited by examiner

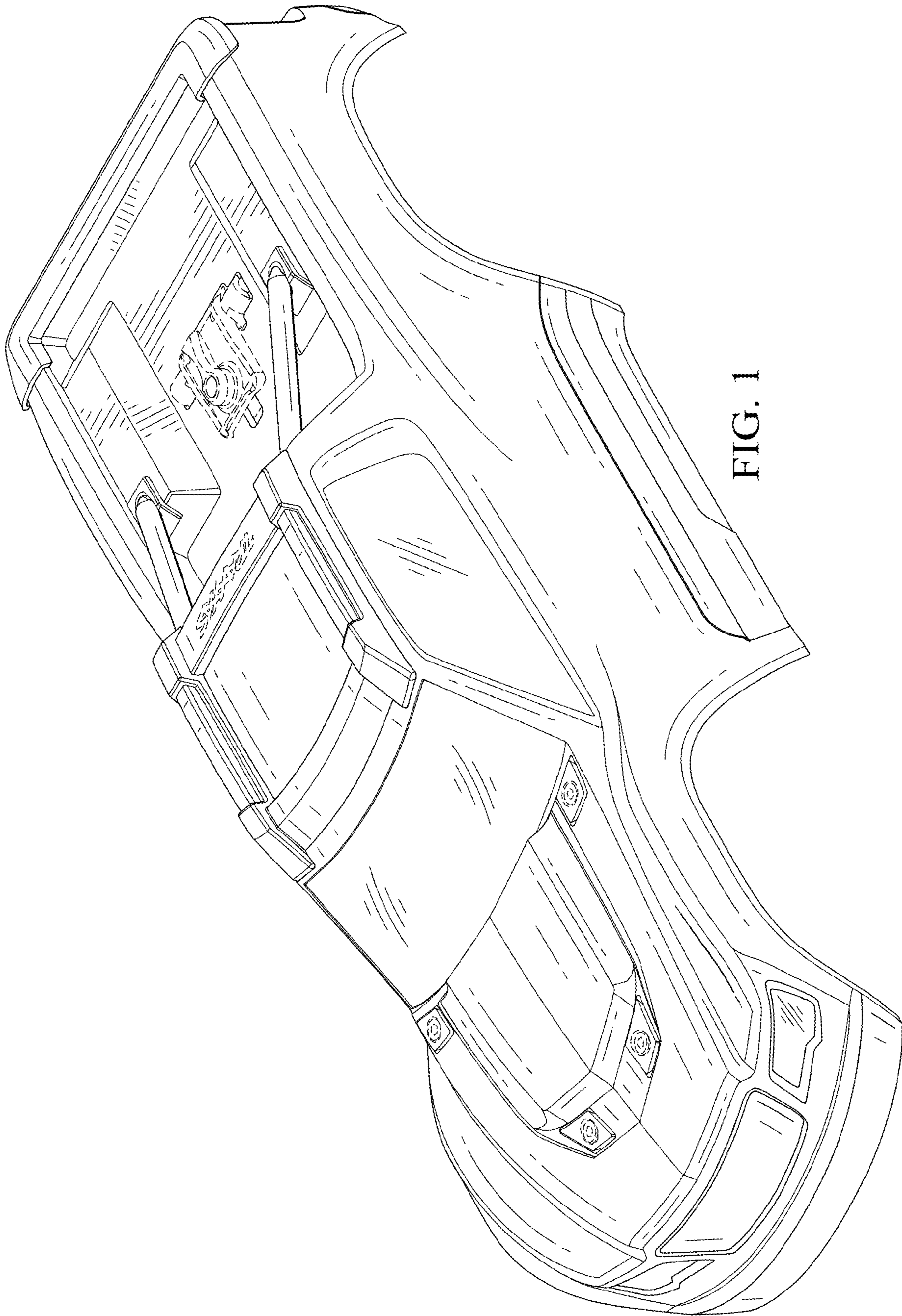


FIG. 1

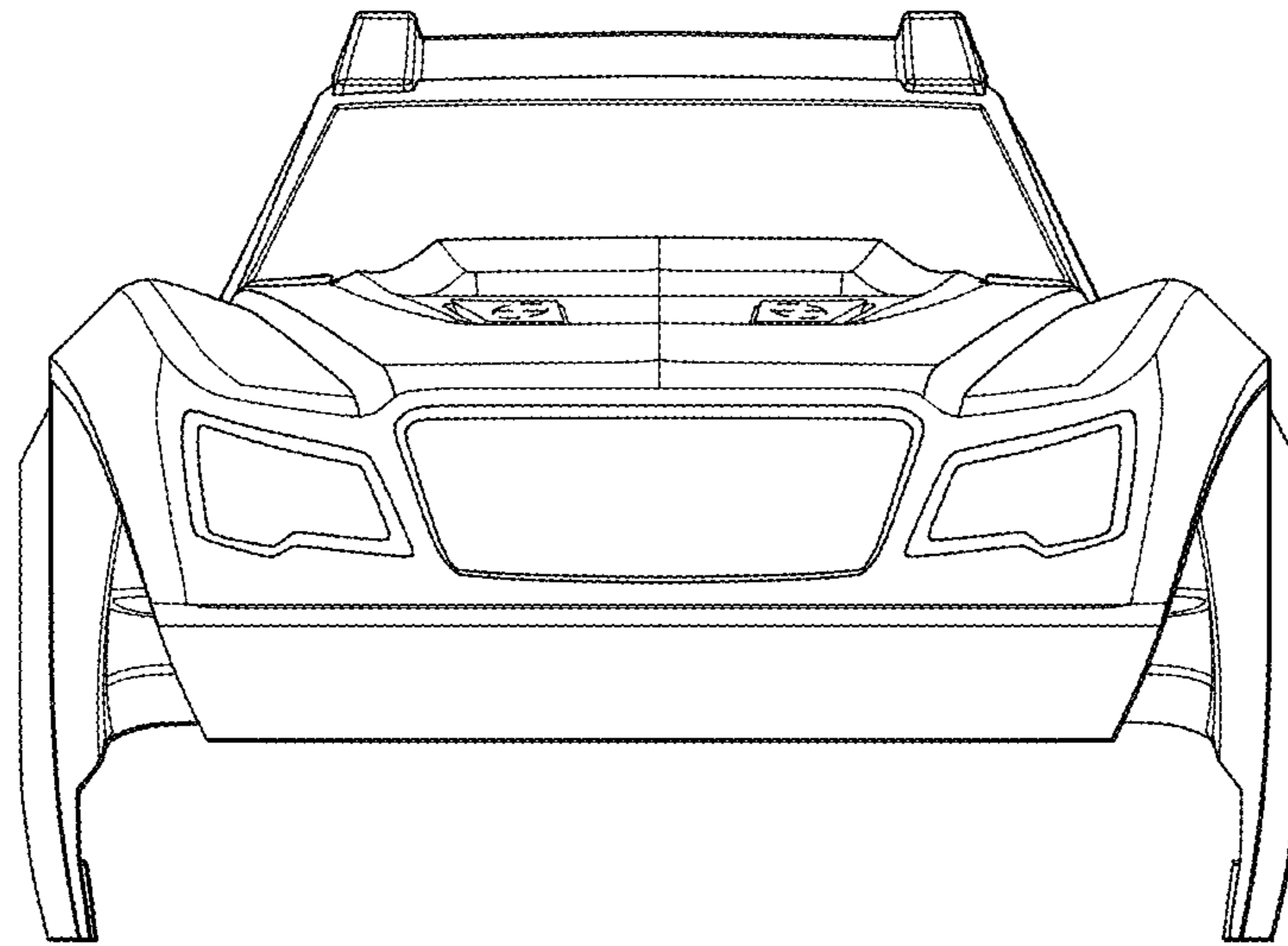


FIG. 2

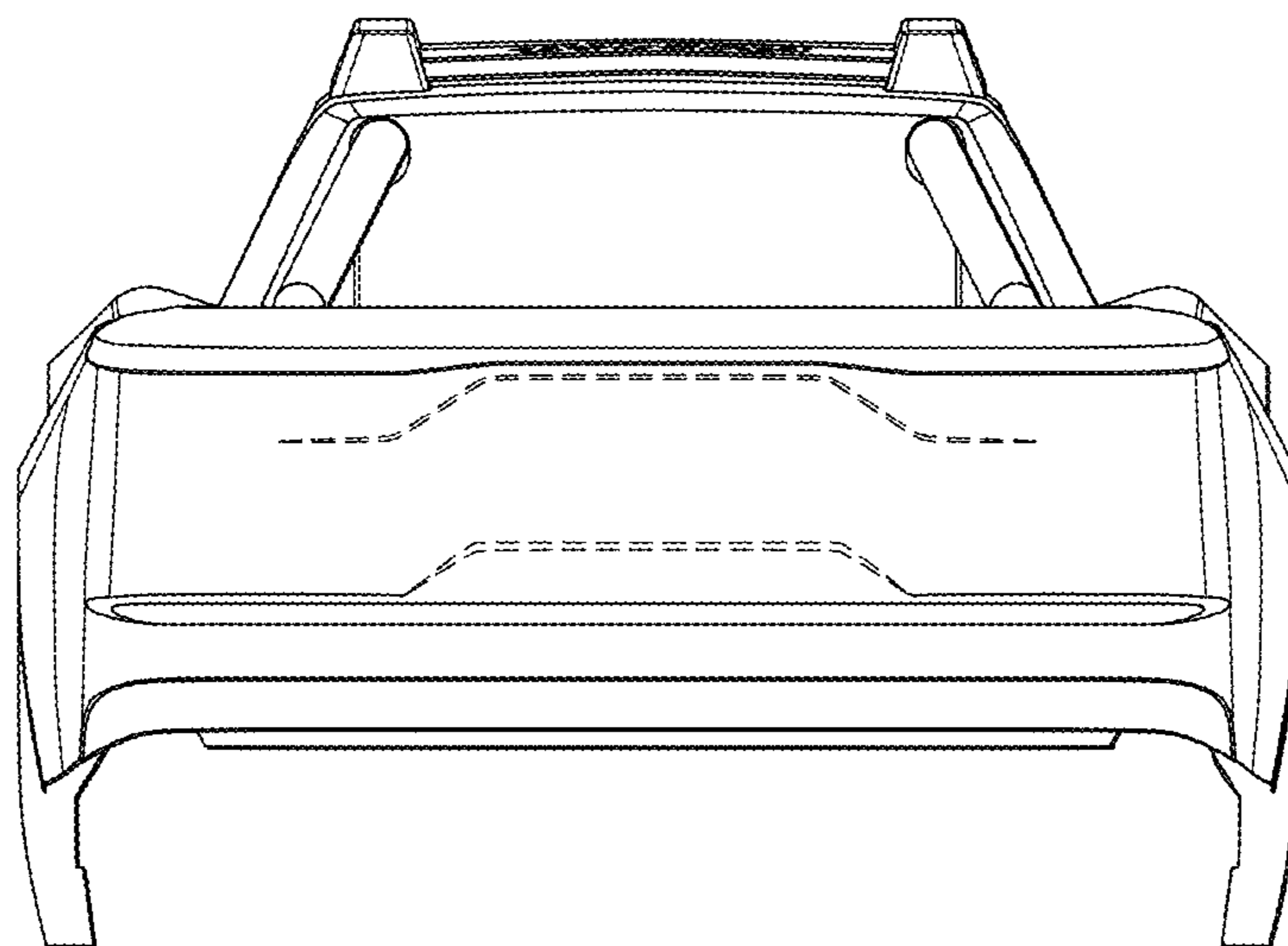


FIG. 3

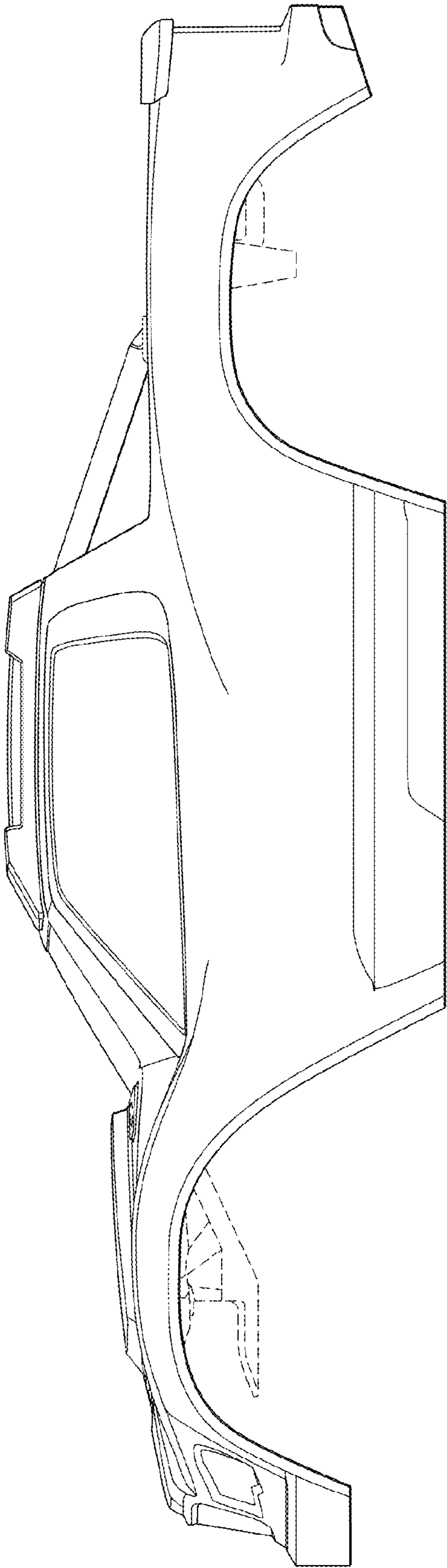


FIG. 4

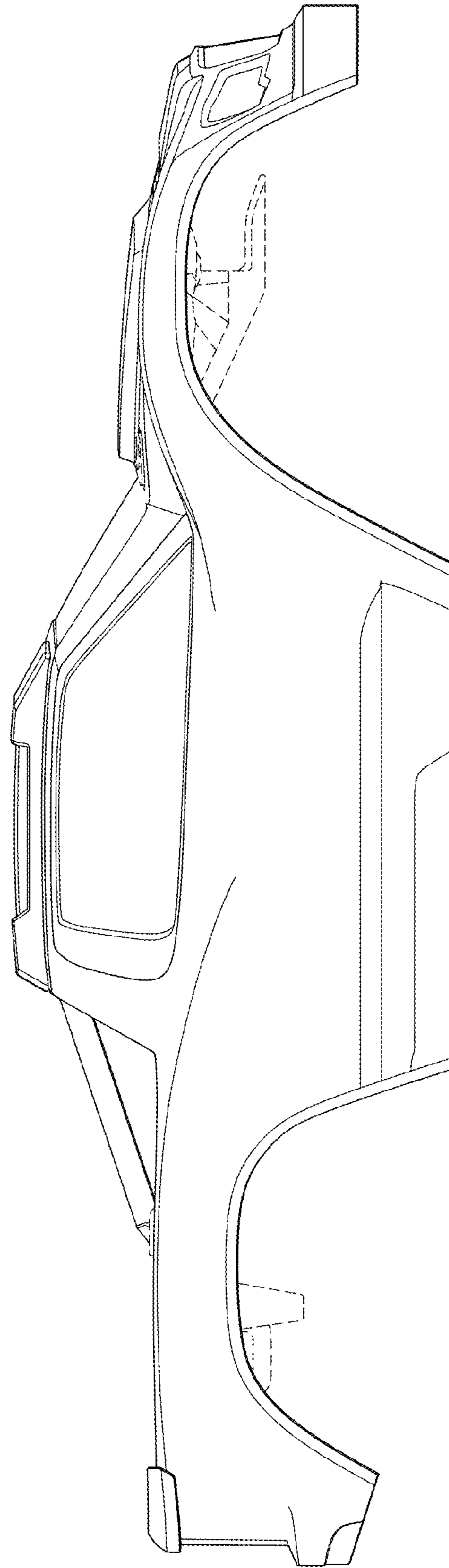


FIG. 5

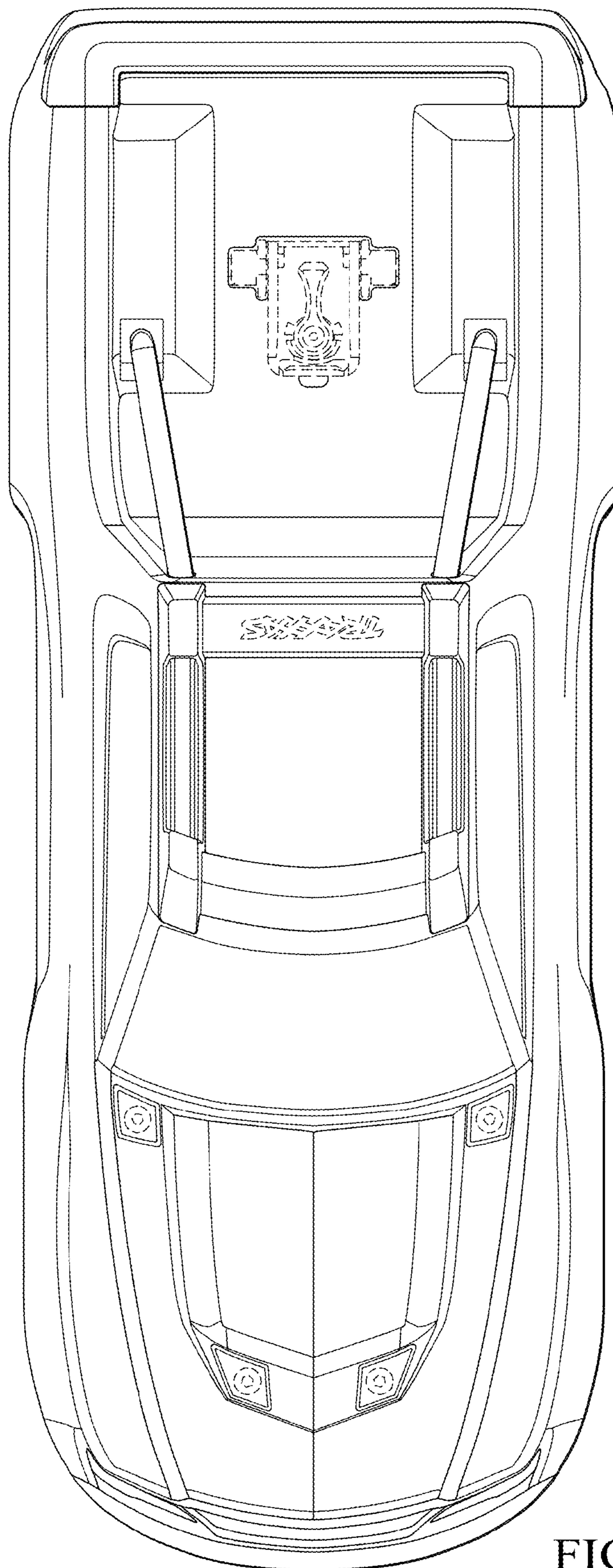


FIG. 6

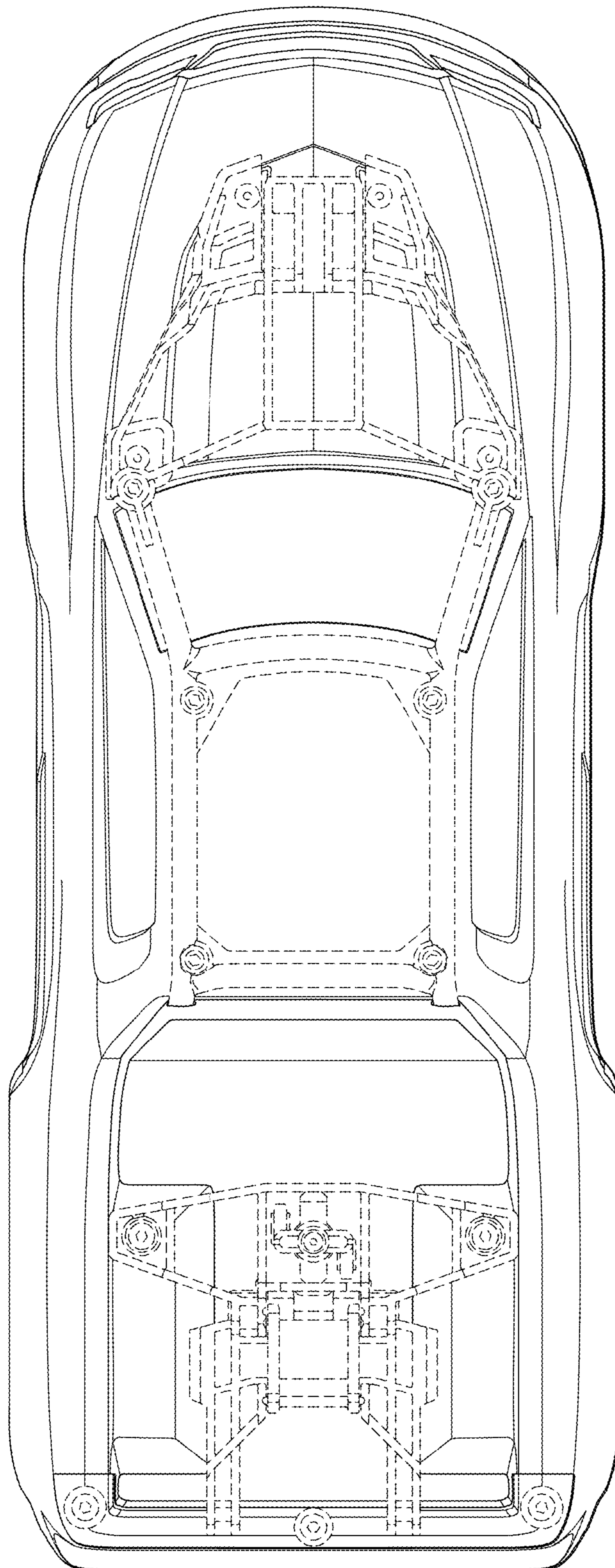


FIG. 7

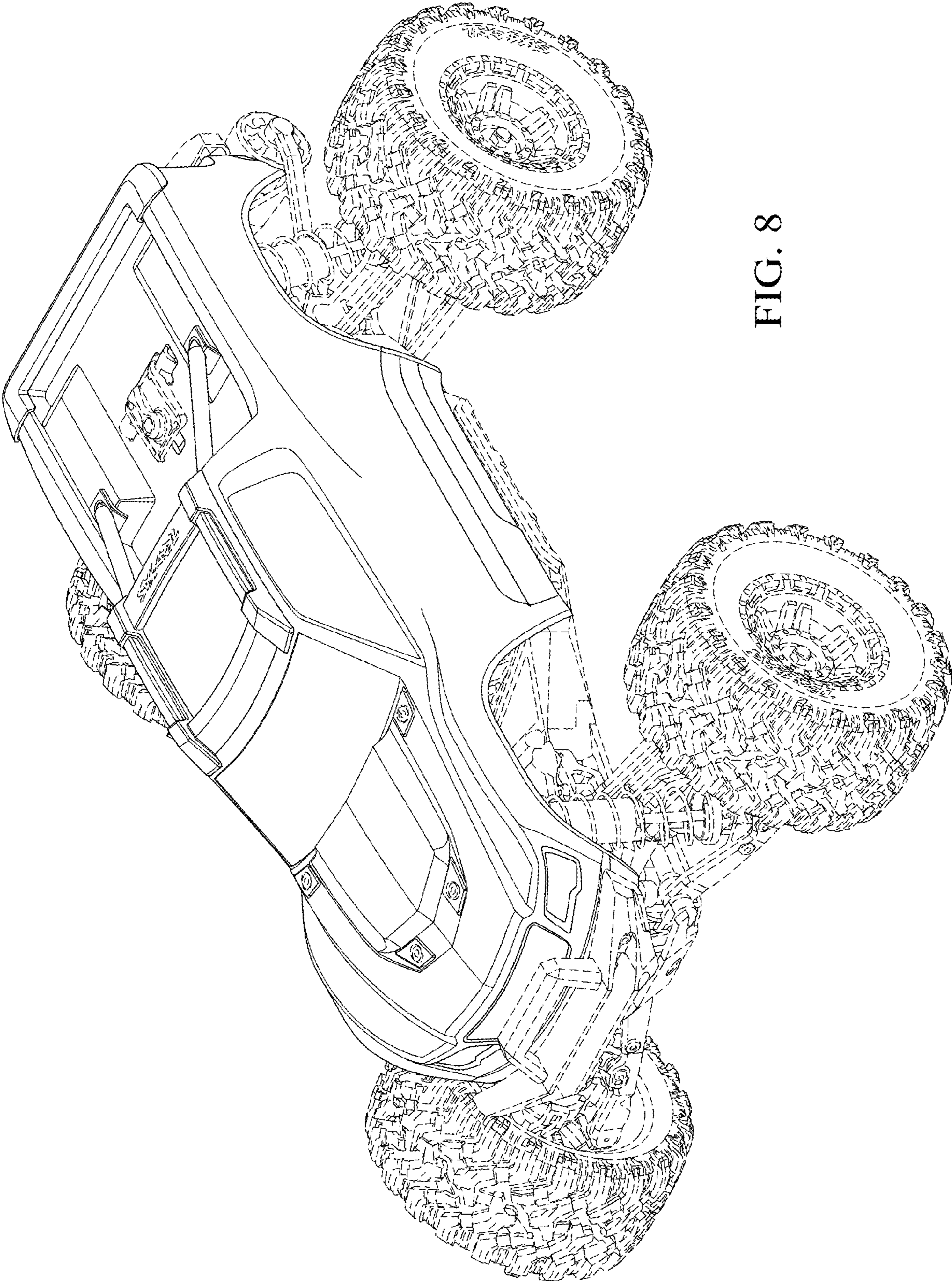


FIG. 8