



US00D930086S

(12) **United States Design Patent** (10) **Patent No.:** **US D930,086 S**  
**Zhang** (45) **Date of Patent:** **\*\* Sep. 7, 2021**

(54) **WOODEN TOY HAMMER**  
(71) Applicant: **Liting Zhang**, Yongchun County (CN)  
(72) Inventor: **Liting Zhang**, Yongchun County (CN)  
(\*\*) Term: **15 Years**

D549,605 S \* 8/2007 Harrell ..... D10/111  
D551,529 S 9/2007 Youngren et al.  
D601,397 S 10/2009 Johnsen  
D630,267 S 1/2011 Sanges  
8,833,207 B2 9/2014 Hanlon  
D818,338 S 5/2018 Jones  
(Continued)

(21) Appl. No.: **29/770,146**  
(22) Filed: **Feb. 9, 2021**  
(51) **LOC (13) Cl.** ..... **21-01**  
(52) **U.S. Cl.**  
USPC ..... **D21/532**  
(58) **Field of Classification Search**  
USPC ..... D21/440, 470, 532; D8/75  
CPC ..... A63H 33/00; A63H 5/00; A63F 9/00  
See application file for complete search history.

**FOREIGN PATENT DOCUMENTS**

CA 202916 A 8/1920  
CN 305372930 \* 10/2019  
(Continued)

**OTHER PUBLICATIONS**

Dreamstime toy hammer image download, no date, <https://www.dreamstime.com/wood-toy-hammer-isolated-white-background-wood-toy-hammer-cut-out-image170317146>, site visited Jun. 4, 2021.\*  
(Continued)

(56) **References Cited**  
U.S. PATENT DOCUMENTS

1,548,338 A 8/1925 Theodore  
D149,699 S \* 5/1948 Sheeman ..... D21/406  
2,716,309 A \* 8/1955 Morrison ..... A63H 33/00  
446/1  
3,002,318 A 10/1961 Carver  
3,058,237 A \* 10/1962 King ..... A63H 33/3072  
434/260  
3,708,168 A \* 1/1973 Strader ..... A63F 9/00  
273/447  
D238,194 S 12/1975 Moutaskas  
D277,119 S 1/1985 Paczko  
D297,503 S 9/1988 Burton  
D315,483 S 3/1991 Williamson  
5,207,793 A \* 5/1993 Brand ..... A63F 9/30  
273/440  
D365,739 S 1/1996 Weintraut  
D439,488 S 3/2001 Chen  
D446,102 S 8/2001 Chen  
D474,667 S 5/2003 Hung  
D521,839 S \* 5/2006 Hung ..... D8/75  
7,134,665 B2 \* 11/2006 Holsten ..... A63F 9/00  
273/458

*Primary Examiner* — John R Yeh  
(74) *Attorney, Agent, or Firm* — Nora M. Tocups

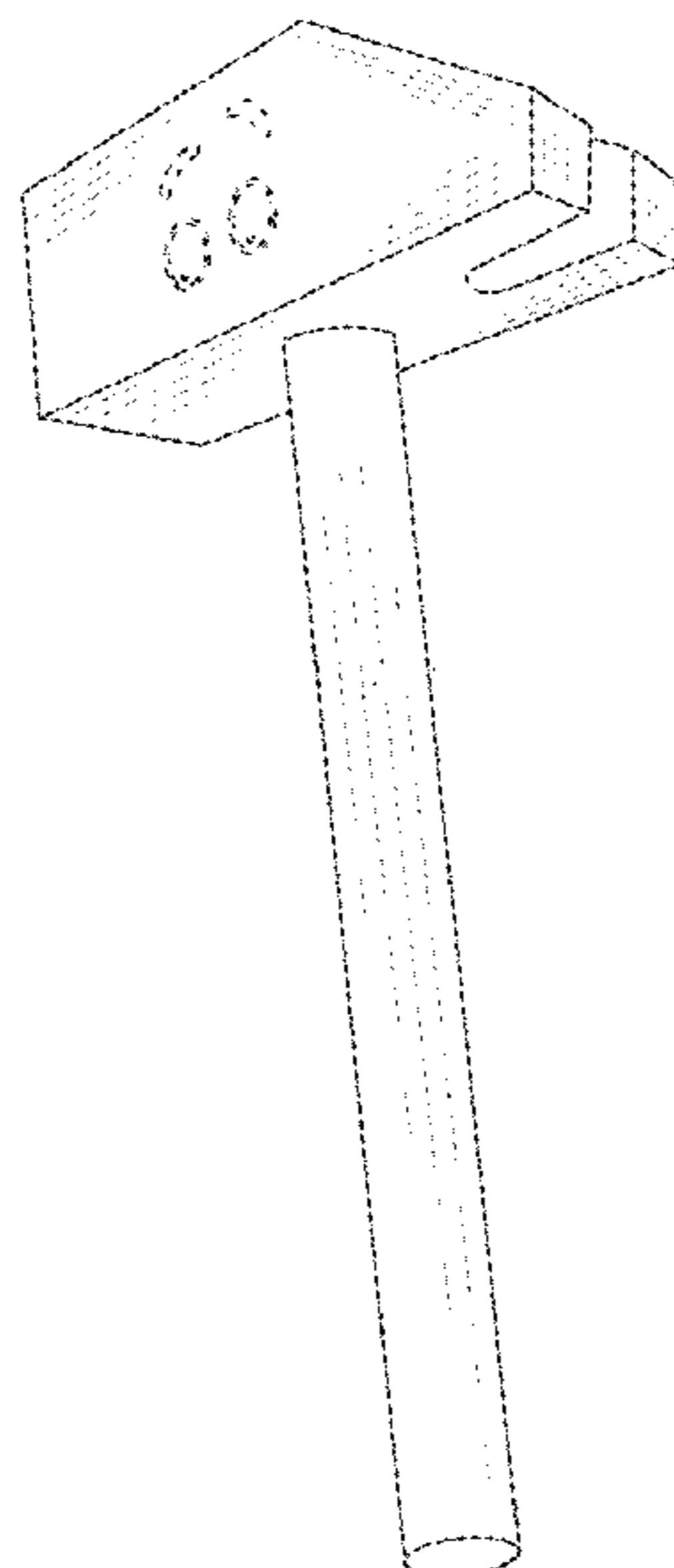
(57) **CLAIM**

The ornamental design for a wooden toy hammer, as shown and described.

**DESCRIPTION**

FIG. 1 is a right side view showing my new design for a wooden toy hammer;  
FIG. 2 is a left side view thereof;  
FIG. 3 is a front view thereof;  
FIG. 4 is a back view thereof;  
FIG. 5 is a top view thereof;  
FIG. 6 is a bottom view thereof; and,  
FIG. 7 is a right, bottom perspective view thereof.  
The broken lines depict portions of the wooden toy hammer that form no part of the claimed design.

**1 Claim, 7 Drawing Sheets**



(56)

**References Cited**

U.S. PATENT DOCUMENTS

9,975,039 B1 \* 5/2018 Semling ..... A63F 9/00  
D826,677 S 8/2018 Nelson  
D855,432 S 8/2019 Zhang  
D867,089 S \* 11/2019 Hyma ..... D8/75  
D888,525 S 6/2020 Montoli  
2007/0251097 A1 \* 11/2007 Terry ..... A63H 33/00  
30/123

FOREIGN PATENT DOCUMENTS

ES 280285 U 2/1985  
KR 20170121506 Y 11/2017

OTHER PUBLICATIONS

3D printable toy hammer, publish year 2019, <https://www.myminifactory.com/object/3d-print-toy-hammer-81049>, site visited Jun. 4, 2021.\*

Hammer toy on ebay, upload date 2021, site visited Jul. 12, 2021, <https://www.ebay.com/itm/313513601731?hash=item48feddeac3:g:YTMAAOSwARhgjLVi>.\*

Girl's, Toy Tool Hammer, Baby Toy Hammer Kids Construction Toy Power Accessories for Boys and Girls, downloaded Feb. 6, 2021—Amazon.

Toyvian Wooden Claw Hammer Toy Wood Crab Mallets Pounding Toy Lobster Seafood Crackers for Kids Children, downloaded Feb. 6, 2021—Amazon.

\* cited by examiner

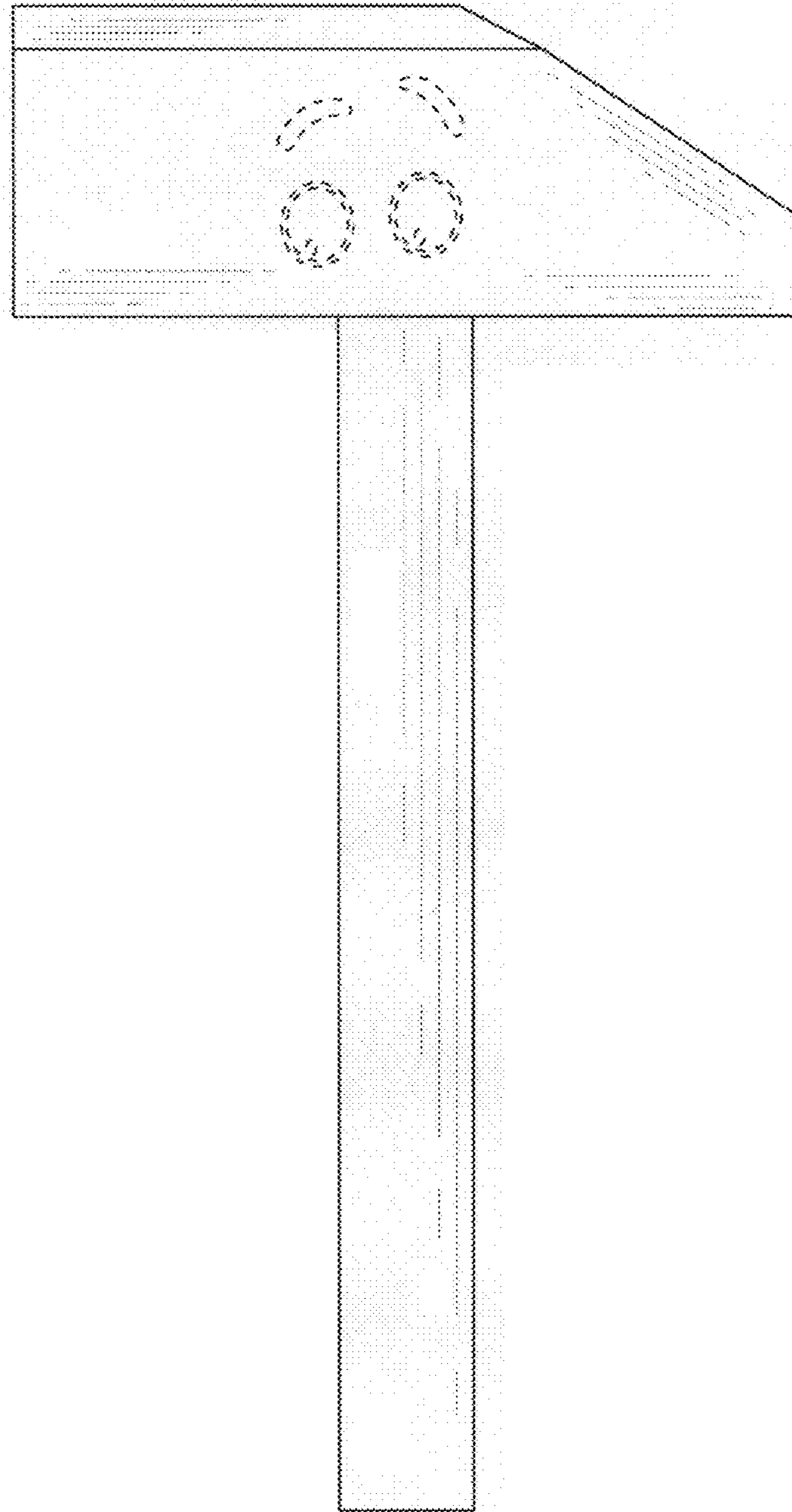


FIG. 1

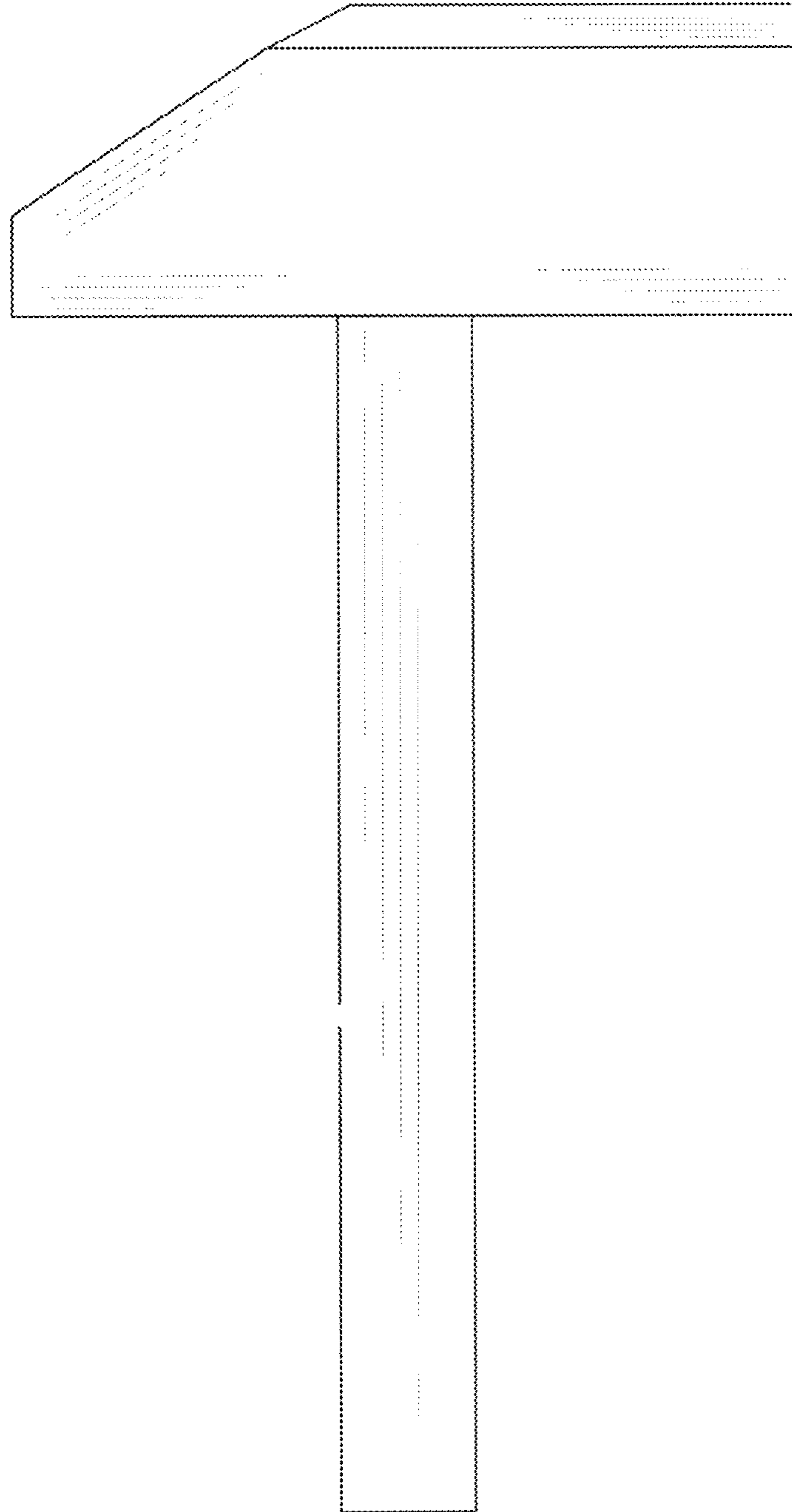


FIG.2

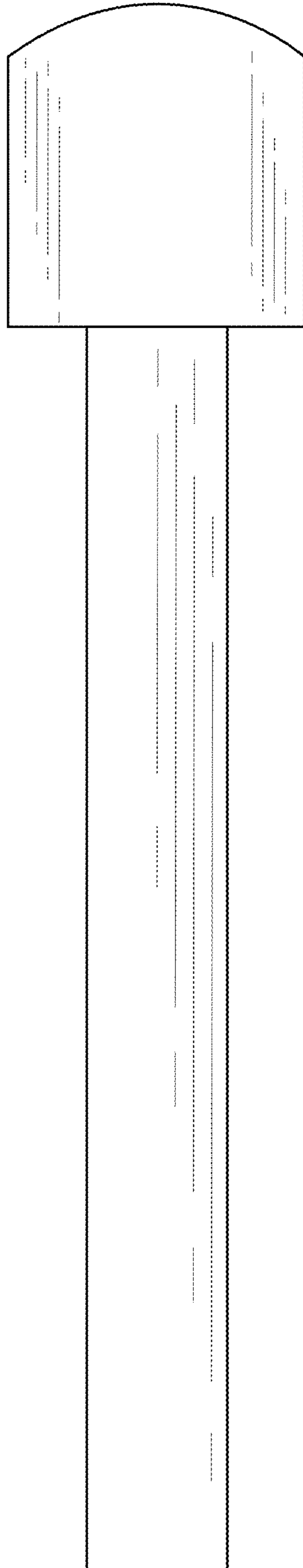


FIG. 3

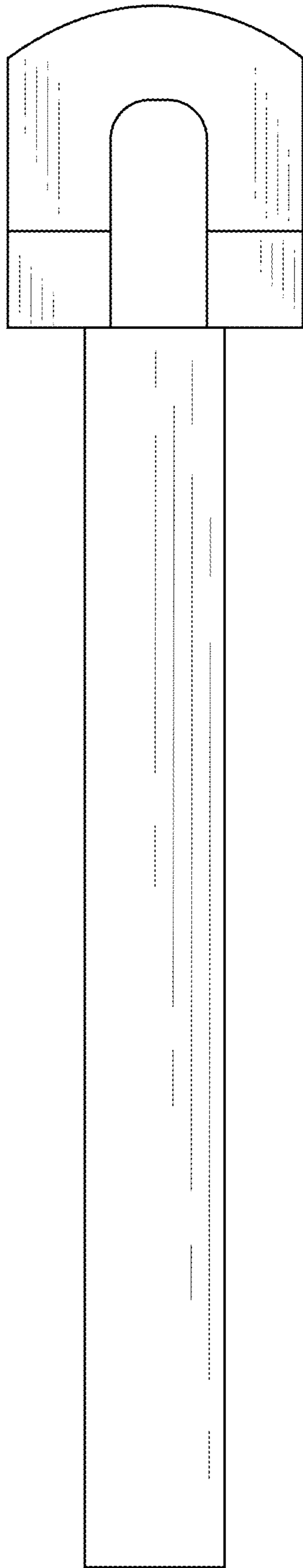


FIG. 4

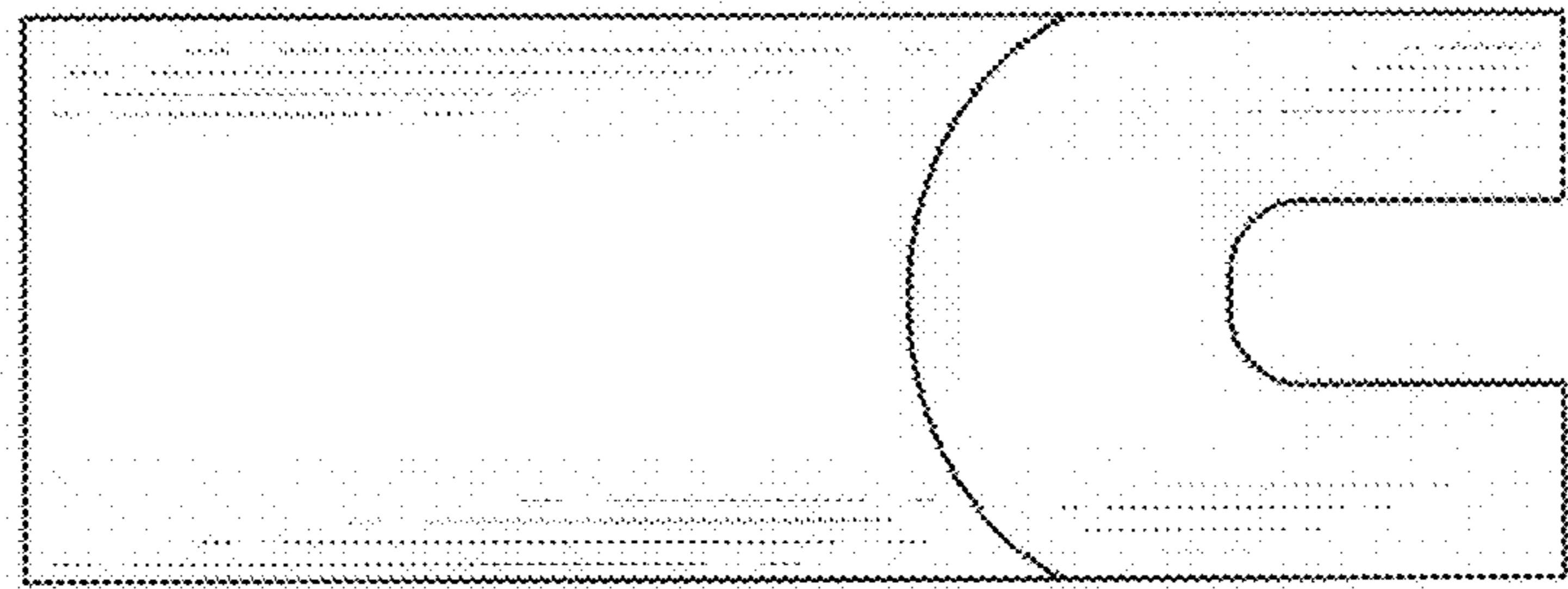


FIG.5

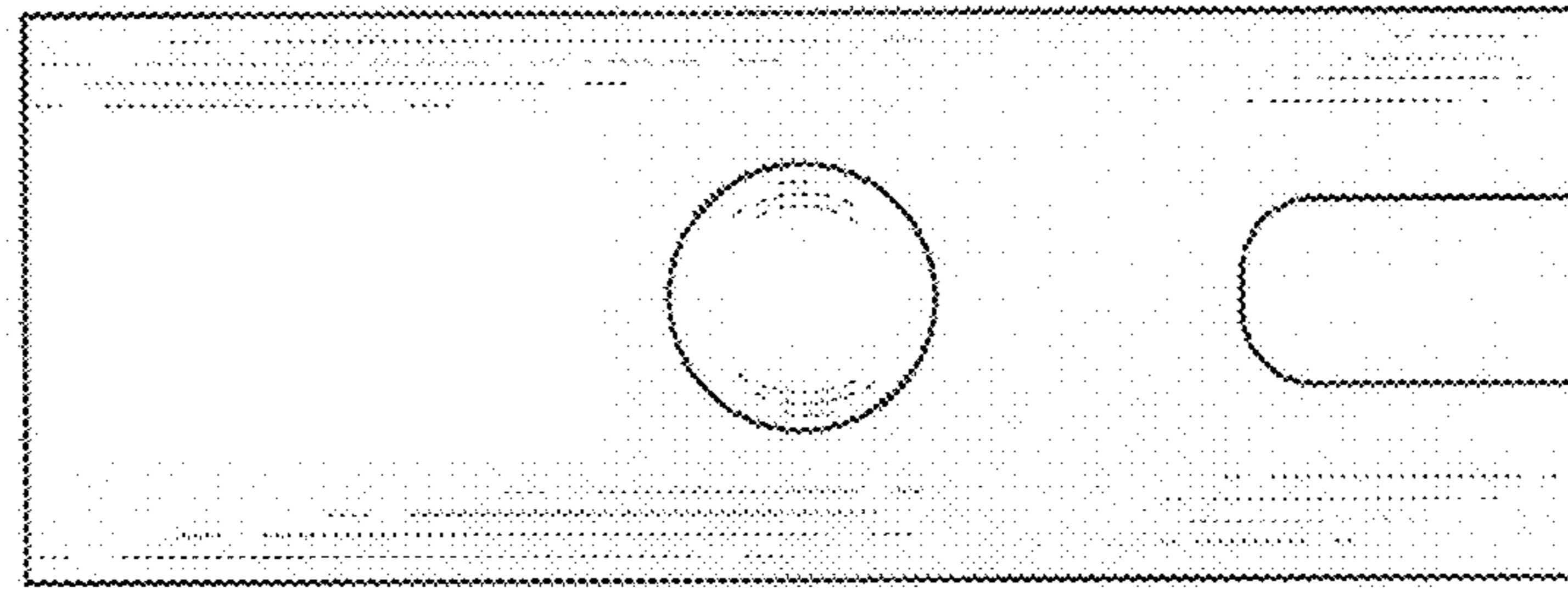


FIG. 6



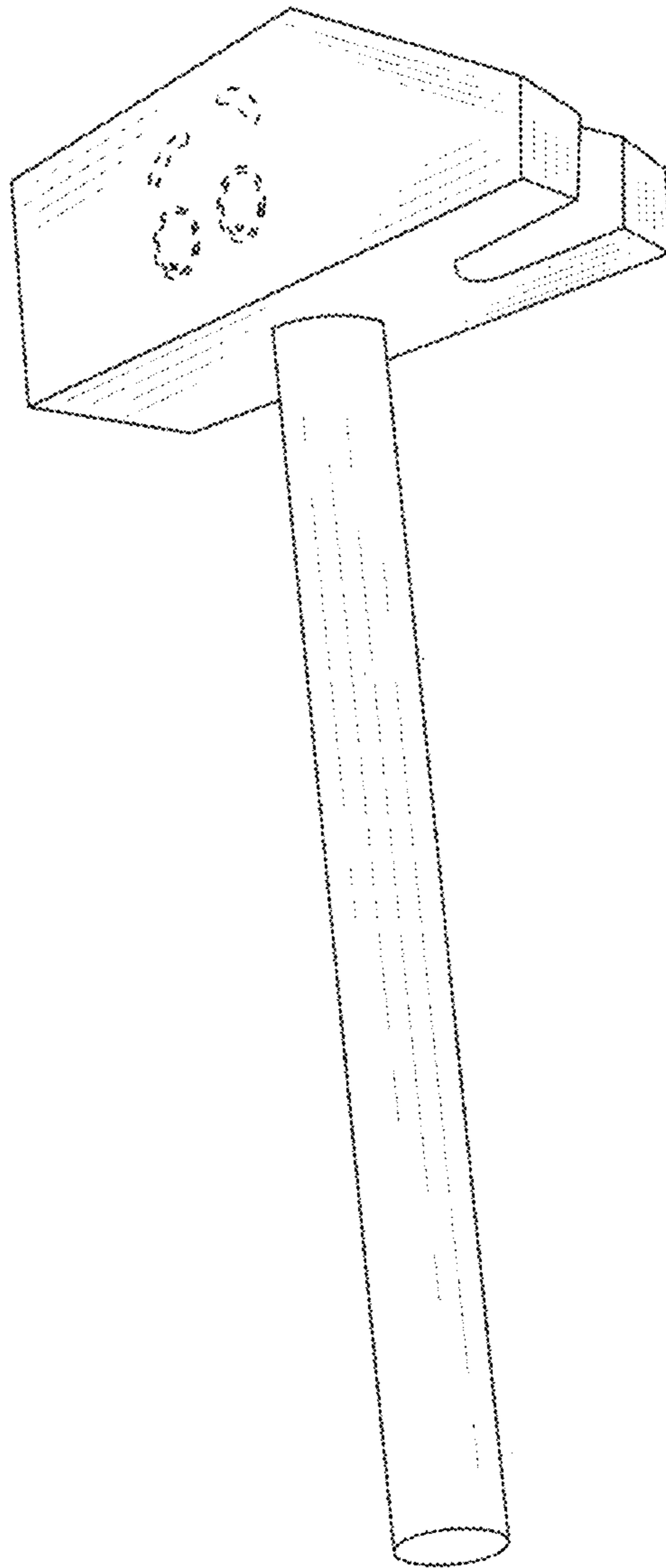


FIG.7