



US00D930081S

(12) **United States Design Patent**
Ghahramanian

(10) **Patent No.:** **US D930,081 S**

(45) **Date of Patent:** **** Sep. 7, 2021**

- (54) **GAMING SIMULATOR COCKPIT**
- (71) Applicant: **Next Level Racing Simulations Pty Ltd**, Southport (AU)
- (72) Inventor: **Hessam Ghahramanian**, Benowa (AU)
- (73) Assignee: **NEXT LEVEL RACING SIMULATIONS PTY LTD**, Southport (AU)
- (**) Term: **15 Years**
- (21) Appl. No.: **29/716,200**
- (22) Filed: **Dec. 6, 2019**
- (30) **Foreign Application Priority Data**

Jun. 7, 2019 (AU) 201913168

- (51) **LOC (13) Cl.** **21-01**
- (52) **U.S. Cl.**
USPC **D21/326**

- (58) **Field of Classification Search**
USPC D21/325, 326, 327, 329, 333, 349, D21/351-355, 366, 369, 370, 371, 385, D21/426, 427, 430, 471, 695, 696, 814; 472/59; 434/55; D6/334, 335, 356, 366, D6/368, 716; D12/112, 861
CPC A63F 13/08; A63F 13/803; A63F 13/28; G09B 9/12; A47C 1/026; A47C 1/143; A47C 7/72; A47C 7/5068
See application file for complete search history.

(56) **References Cited**

U.S. PATENT DOCUMENTS

- D243,627 S * 3/1977 Clower D21/426
- D376,186 S * 12/1996 Penney D21/814
- 5,911,634 A * 6/1999 Nidata A63F 13/08
472/59
- 6,877,803 B1 * 4/2005 Reese A47C 4/50
297/18
- D509,077 S * 9/2005 Beermann D6/356

- D544,923 S * 6/2007 Brase D21/326
- D598,207 S * 8/2009 Smit D6/335
- D612,623 S * 3/2010 Smit D6/366
- 7,753,451 B2 * 7/2010 Maebert B60N 2/20
297/378.12

(Continued)

OTHER PUBLICATIONS

NPL U: "Gaming simulator cockpit", posted Jun. 25, 2019, [retrieved Nov. 18, 2020], Retrieved from Internet, https://www.bhphotovideo.com/c/product/1493252-REG/next_level_racing_nlr_s016_challenger_cockpit.html/reviews.*

Primary Examiner — Sandra Snapp
Assistant Examiner — Mehri Bajoul

(74) *Attorney, Agent, or Firm* — Ferguson Case Orr Paterson

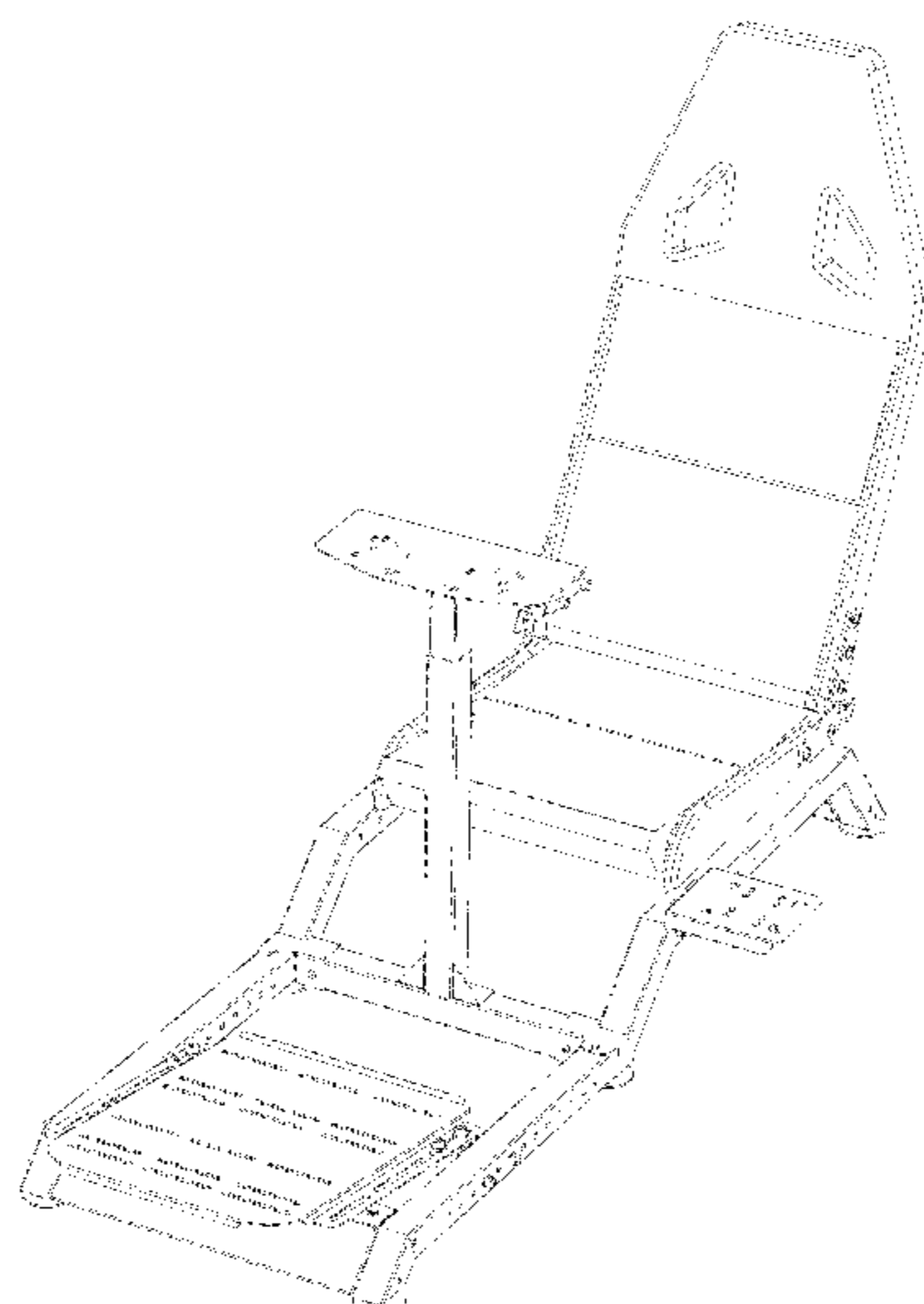
(57) **CLAIM**

The ornamental design for a gaming simulator cockpit, as shown.

DESCRIPTION

FIG. 1 is a top, front, right side perspective view of a gaming simulator cockpit according to the present disclosure; FIG. 2 is a top, rear, right side perspective view of the gaming simulator cockpit shown in FIG. 1; FIG. 3 is a front elevation view of the gaming simulator cockpit shown in FIG. 1; FIG. 4 is a rear elevation view of the gaming simulator cockpit shown in FIG. 1; FIG. 5 is a right side elevation view of the gaming simulator cockpit shown in FIG. 1; FIG. 6 is a left side elevation view of the gaming simulator cockpit shown in FIG. 1; FIG. 7 is a top plan view of the gaming simulator cockpit shown in FIG. 1; and, FIG. 8 is a bottom plan view of gaming simulator cockpit shown in FIG. 1.

1 Claim, 7 Drawing Sheets



(56)

References Cited

U.S. PATENT DOCUMENTS

D651,815	S	*	1/2012	Smit	D6/336
D656,553	S	*	3/2012	Blaskov	D21/326
D691,822	S	*	10/2013	Smit	D6/368
D691,860	S	*	10/2013	Berio, Jr.	D7/619.1
D693,586	S	*	11/2013	Lenterman	D6/366
D701,917	S	*	4/2014	Ghahramanian	D21/326
D809,313	S	*	2/2018	Mao	D6/366
D811,145	S	*	2/2018	Li	D6/716
D856,020	S	*	8/2019	Ghahramanian	D6/367
D859,865	S	*	9/2019	Berlinches	D6/366

* cited by examiner

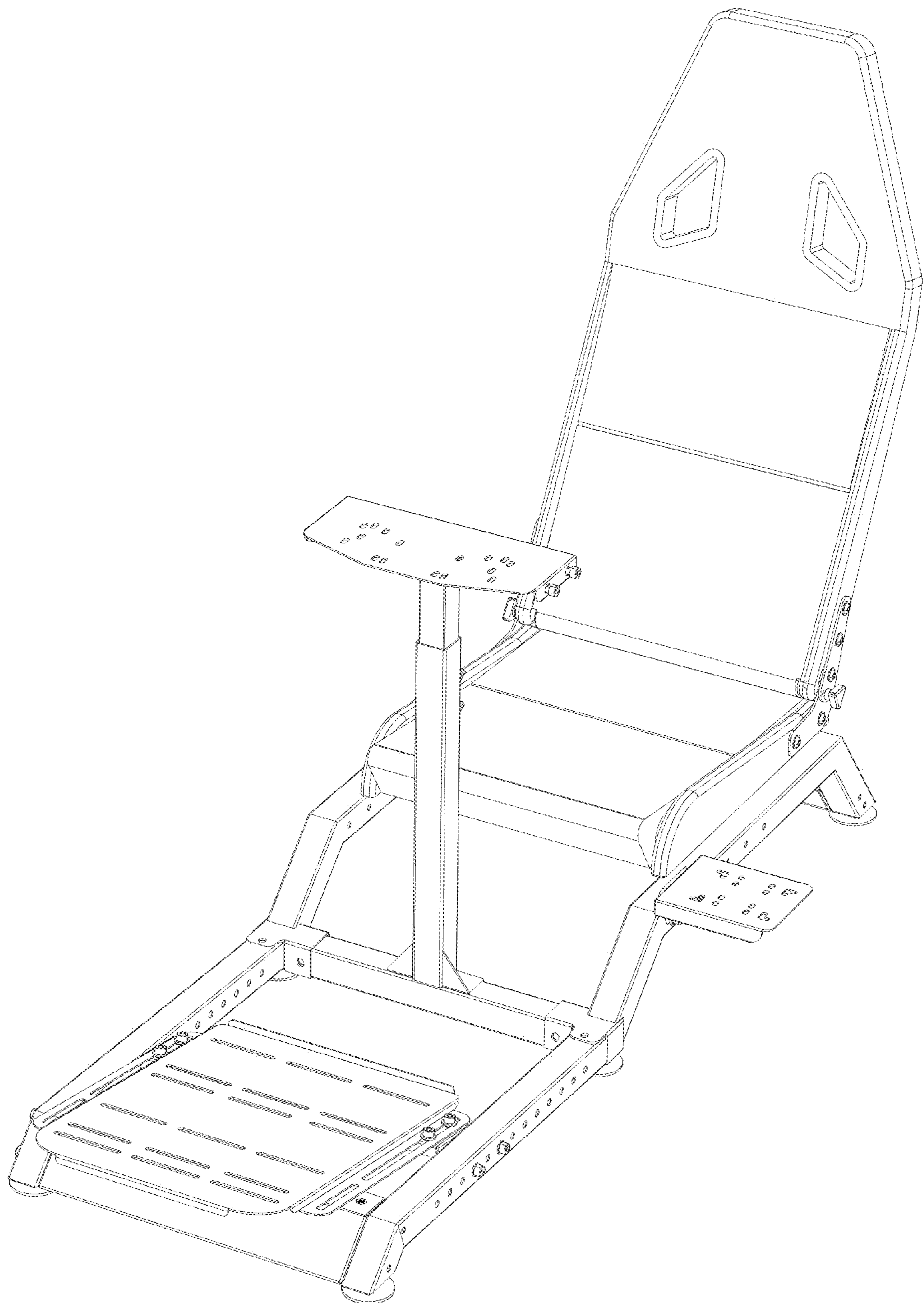


FIG. 1

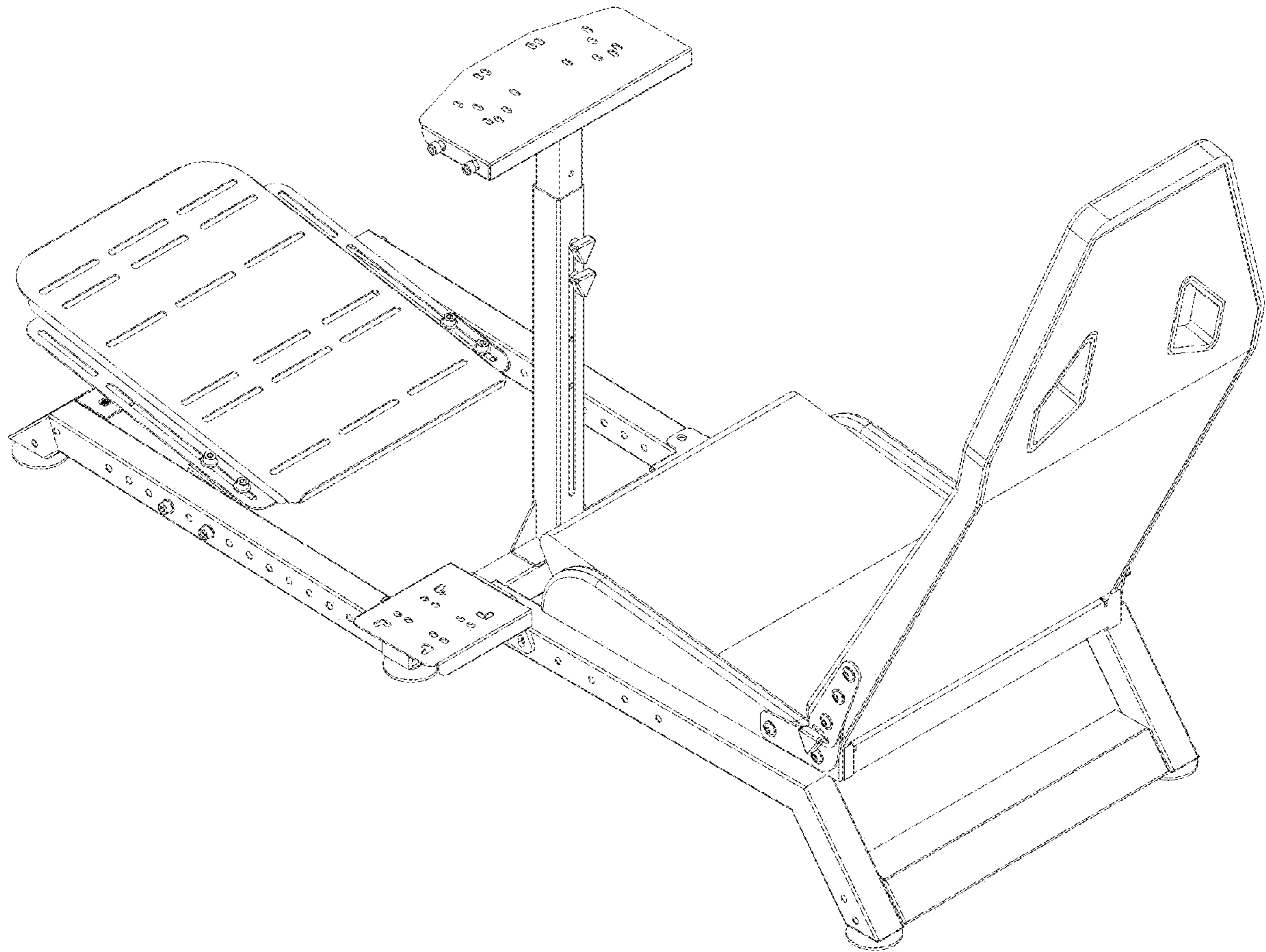


FIG. 2

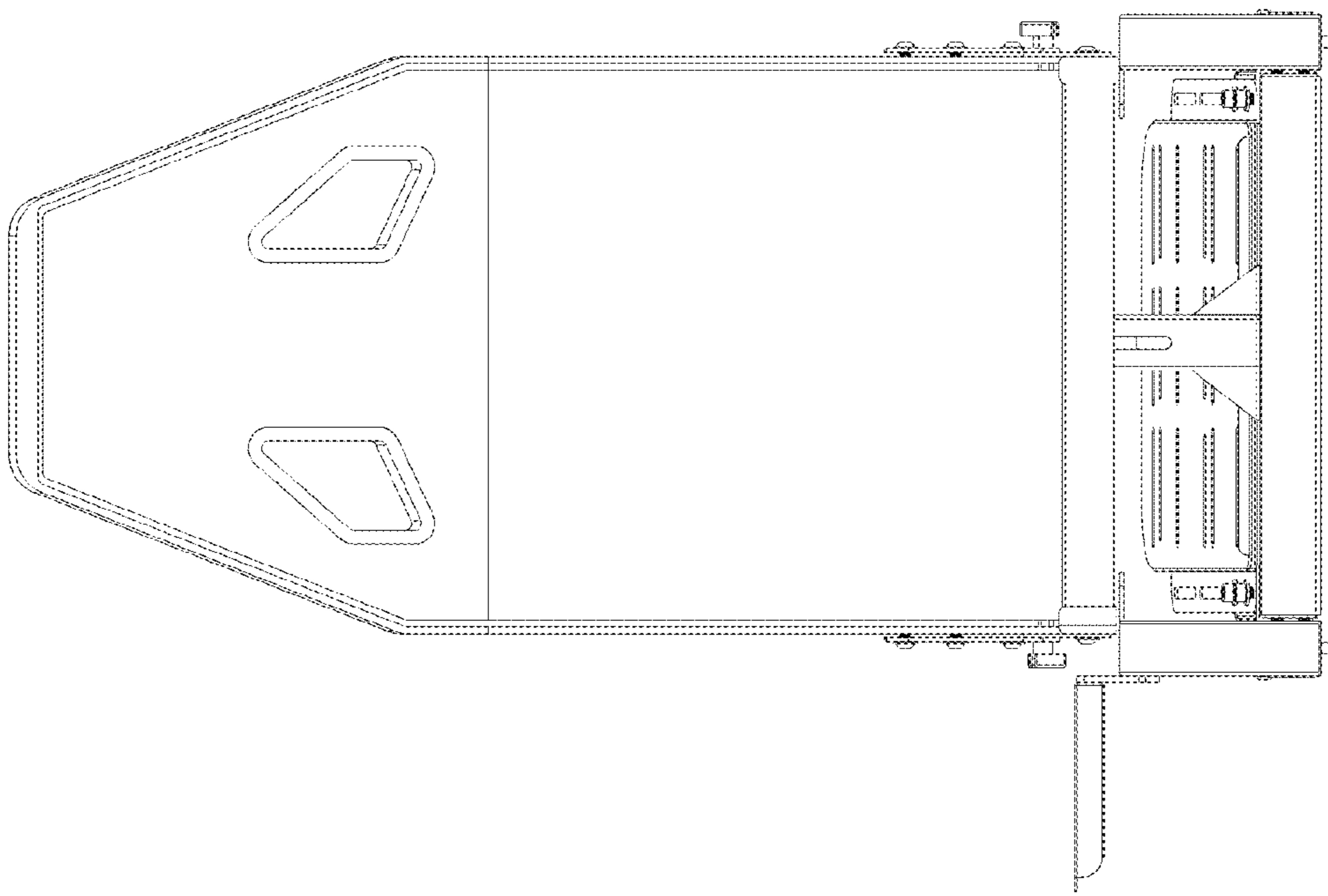


FIG. 4

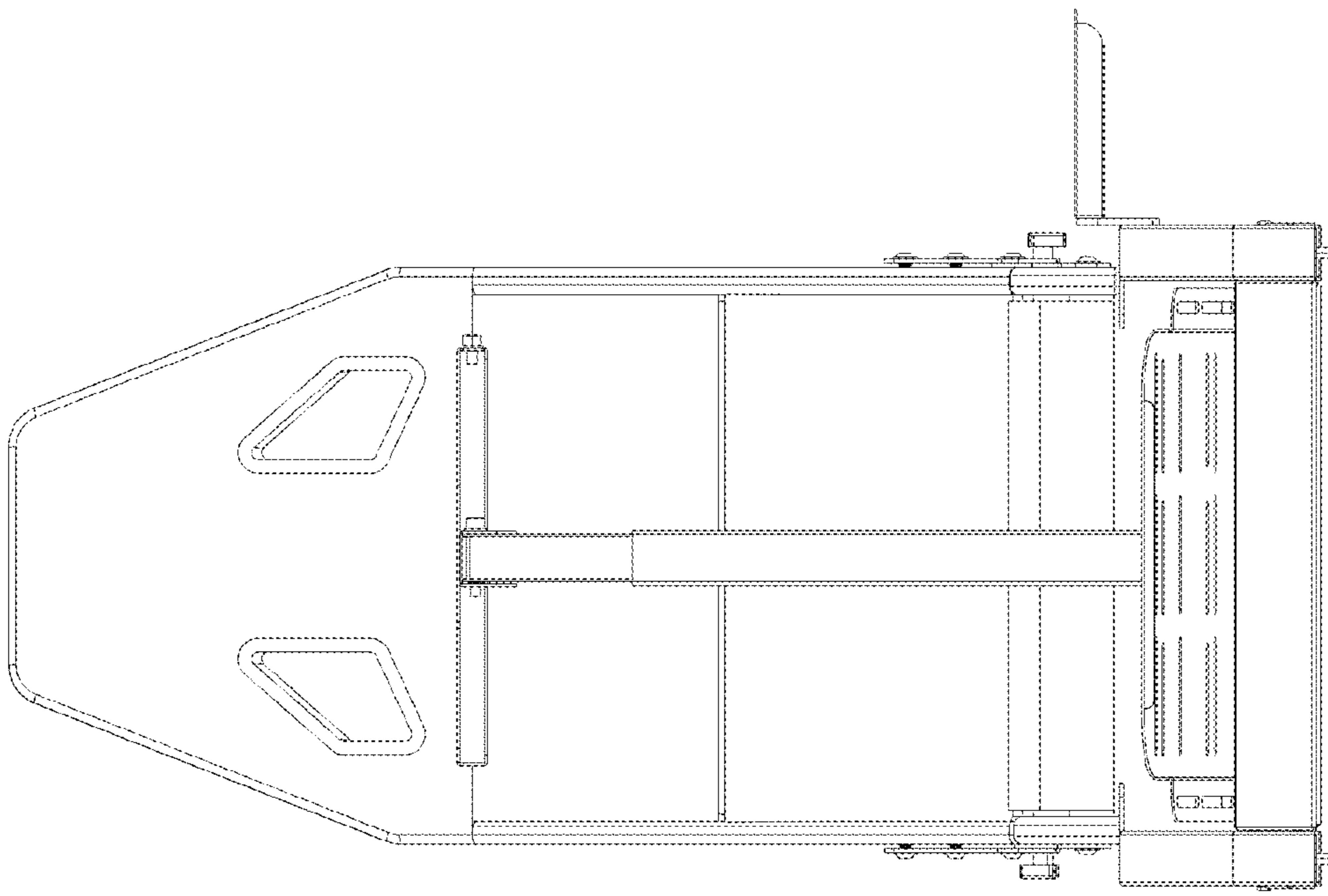


FIG. 3

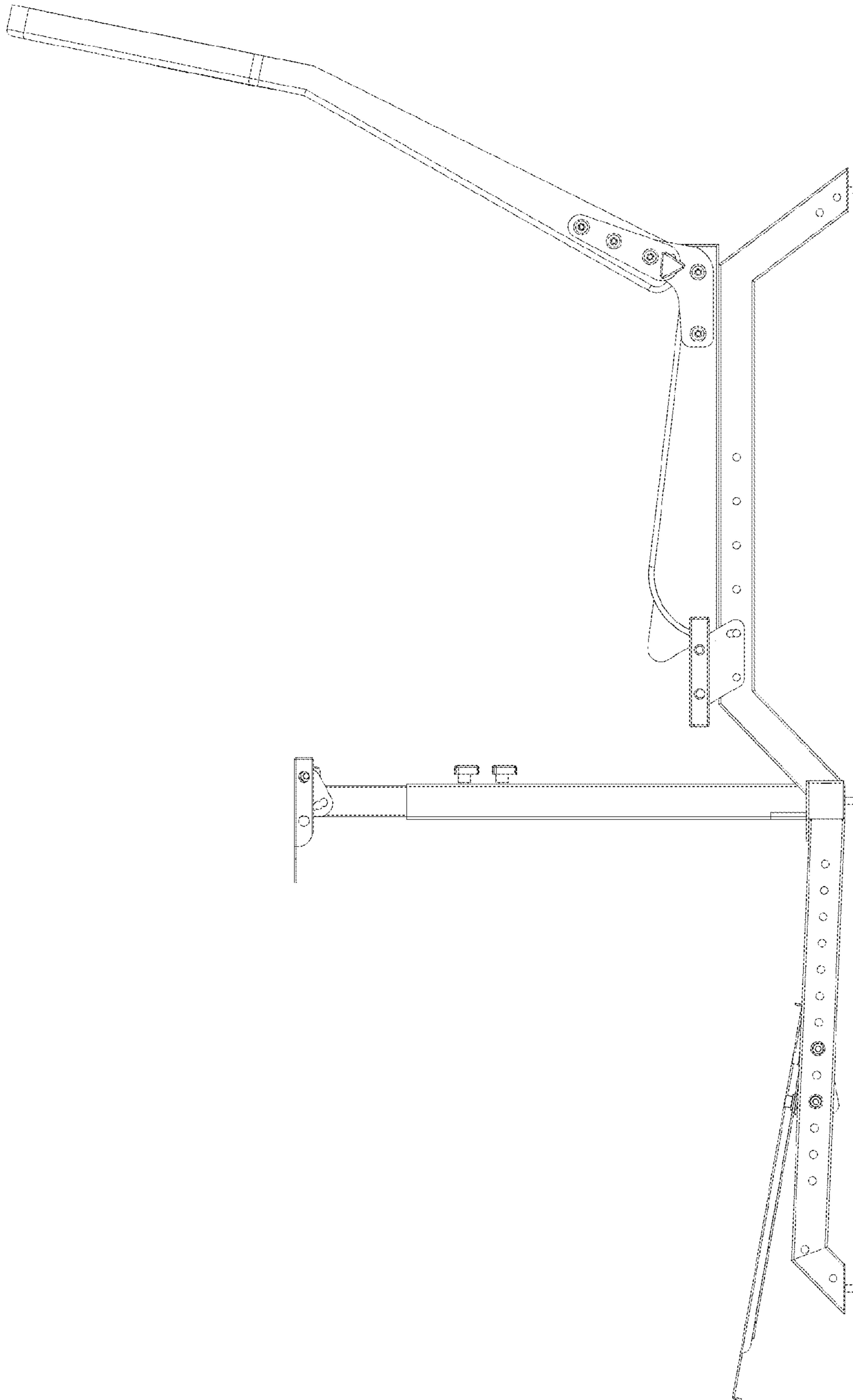


FIG. 5

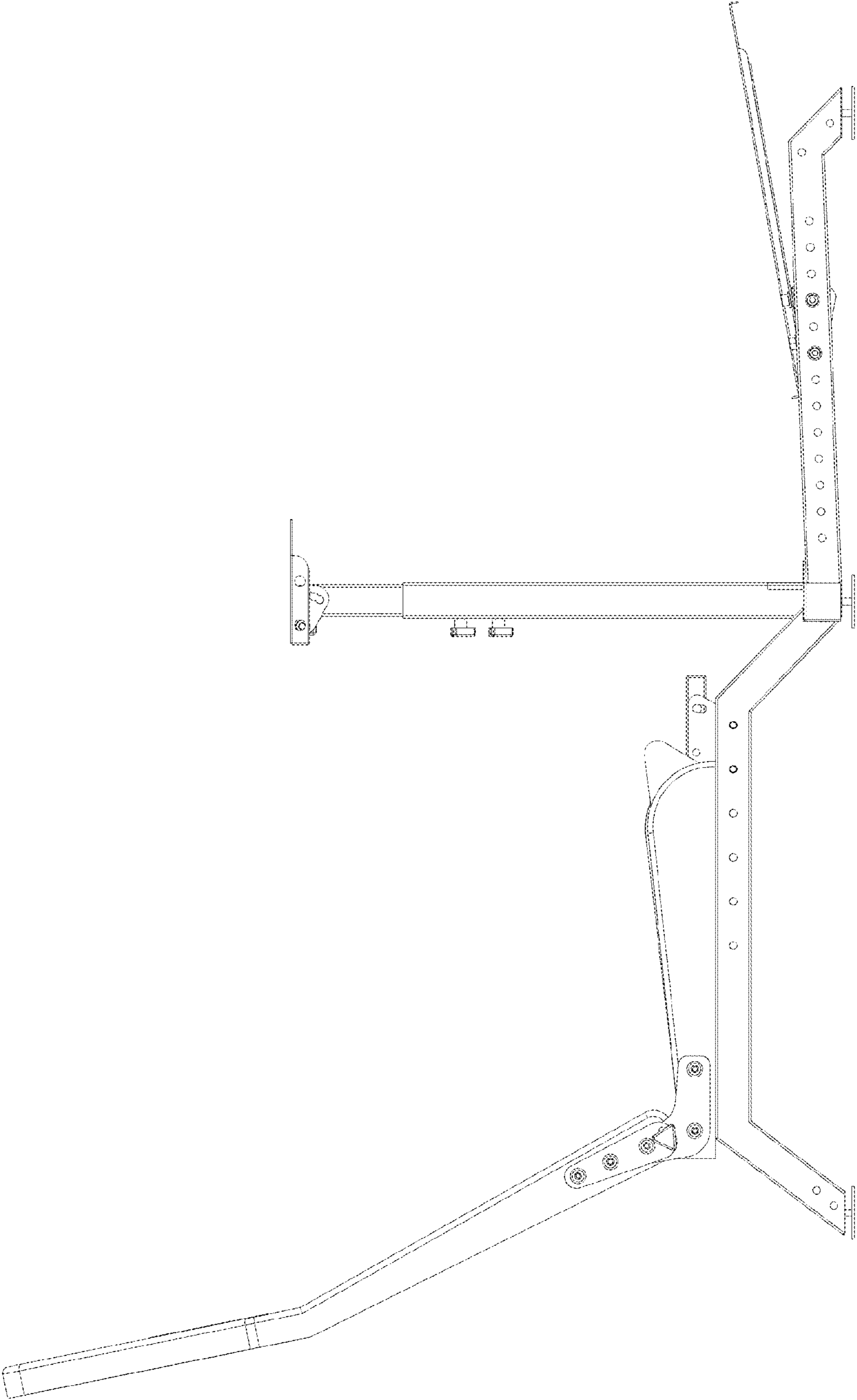


FIG. 6

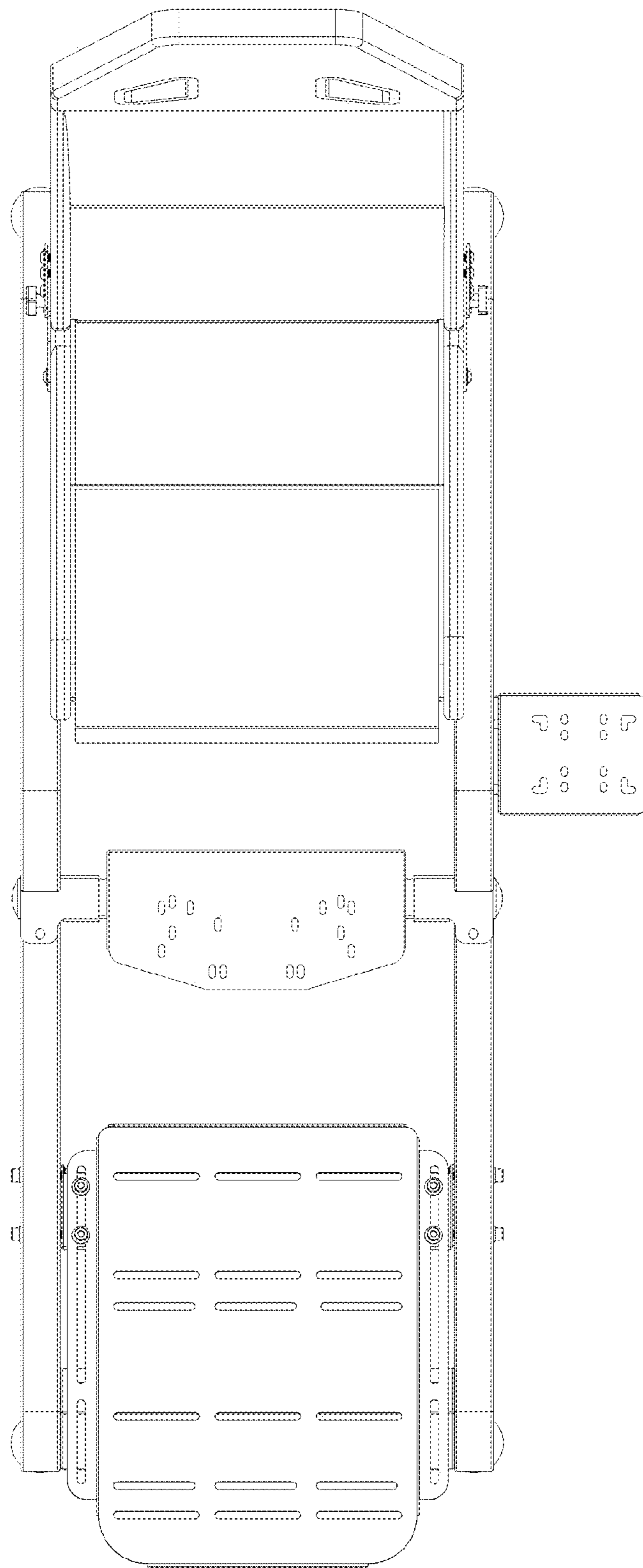


FIG. 7

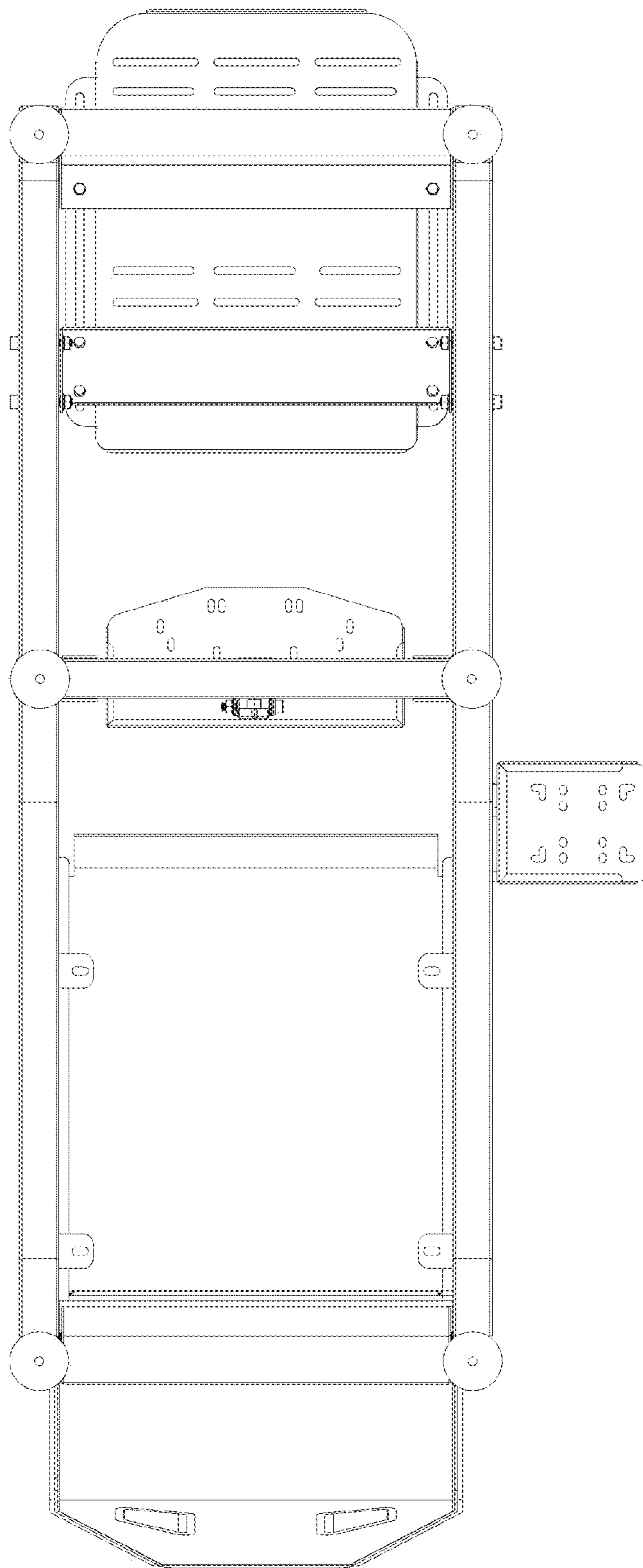


FIG. 8