



US00D930076S

(12) **United States Design Patent** (10) **Patent No.:** **US D930,076 S**
Kang (45) **Date of Patent:** **** Sep. 7, 2021**

(54) **DRY ERASE BOARD**
(71) Applicant: **ACCO Brands Corporation**, Lake Zurich, IL (US)
(72) Inventor: **Seesong Kang**, Northbrook, IL (US)
(73) Assignee: **ACCO Brands Corporation**, Lake Zurich, IL (US)

(74) *Attorney, Agent, or Firm* — Michael Best & Friedrich LLP

(**) Term: **15 Years**
(21) Appl. No.: **29/724,954**
(22) Filed: **Feb. 20, 2020**
(51) **LOC (13) Cl.** **19-06**
(52) **U.S. Cl.**
USPC **D19/113**
(58) **Field of Classification Search**
USPC D19/113, 114; D6/300–314; D7/698;
D20/10, 22, 27, 39–42
CPC B43L 1/00; B43L 1/008; B43L 1/04; B43L
1/06; B43L 1/08; B43L 1/12; B43L
1/126; B43L 5/00; B43L 5/002; B43L
5/005; B43L 5/007; B43L 5/02; A63H
33/26
See application file for complete search history.

(57) **CLAIM**
I claim the ornamental design for a dry erase board, as shown and described.

DESCRIPTION

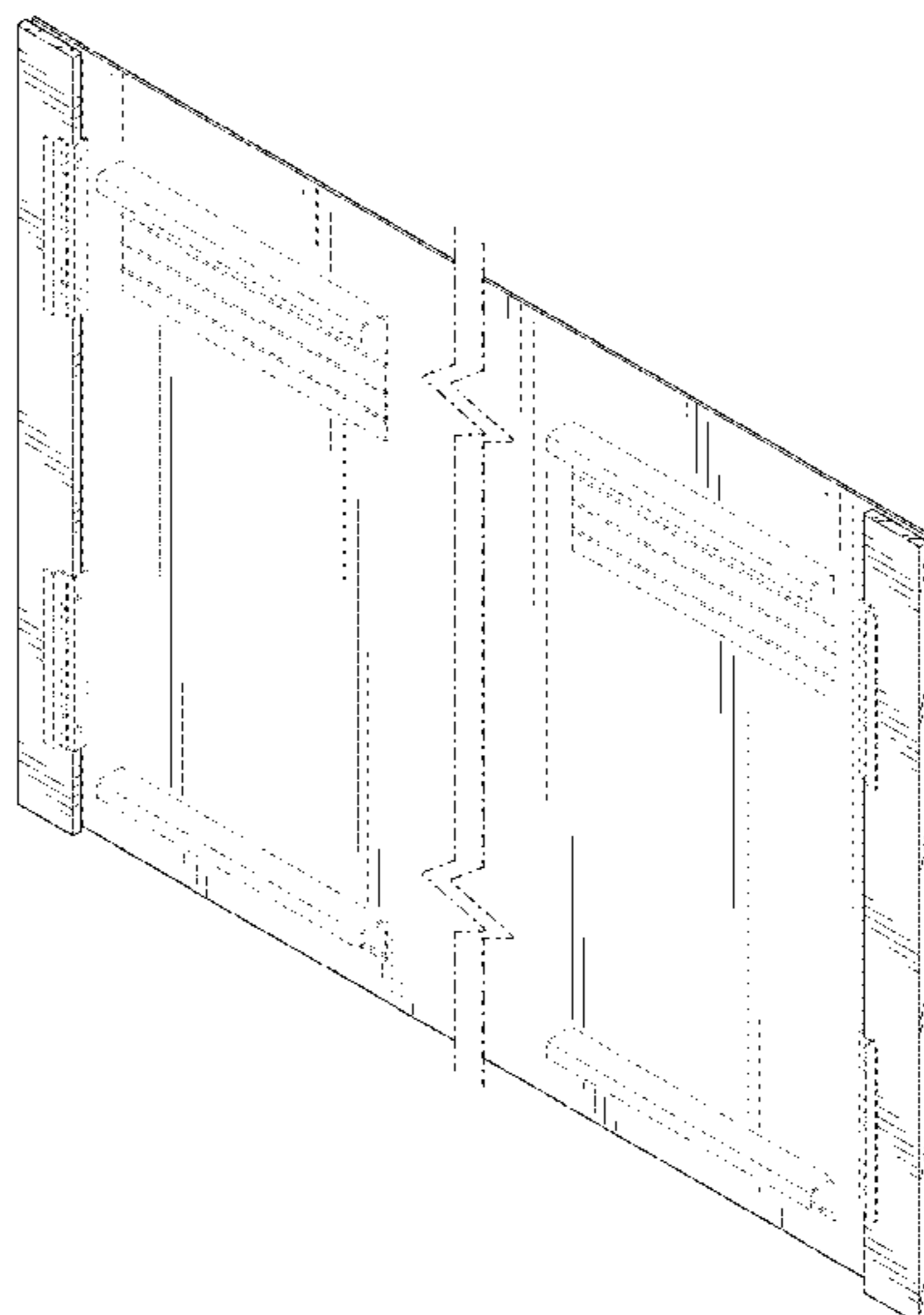
FIG. 1 is a front perspective view of a dry erase board according to a first embodiment of my new design.
FIG. 2 is a rear perspective view of FIG. 1.
FIG. 3 is a front elevation view of FIG. 1.
FIG. 4 is a rear view elevation of FIG. 1.
FIG. 5 is a right side elevation view of FIG. 1.
FIG. 6 is a left side elevation view of FIG. 1.
FIG. 7 is a top plan view of FIG. 1.
FIG. 8 is a bottom plan view of FIG. 1.
FIG. 9 is a front perspective view of a dry erase board according to a second embodiment of my new design.
FIG. 10 is a rear perspective view of FIG. 9.
FIG. 11 is a front elevation view of FIG. 9.
FIG. 12 is a rear view elevation of FIG. 9.
FIG. 13 is a right side elevation view of FIG. 9.
FIG. 14 is a left side elevation view of FIG. 9.
FIG. 15 is a top plan view of FIG. 9.
FIG. 16 is a bottom plan view of FIG. 9.
FIG. 17 is a front perspective view of a dry erase board according to a third embodiment of my new design.
FIG. 18 is a rear perspective view of FIG. 17.
FIG. 19 is a front elevation view of FIG. 17.
FIG. 20 is a rear view elevation of FIG. 17.
FIG. 21 is a right side elevation view of FIG. 17.
FIG. 22 is a left side elevation view of FIG. 17.
FIG. 23 is a top plan view of FIG. 17; and,
FIG. 24 is a bottom plan view of FIG. 17.
In the drawings the broken lines depict environmental subject matter only that forms no part of the claimed design; the appearance of any portion of the article between the break lines forms no part of the claimed design.

(56) **References Cited**
U.S. PATENT DOCUMENTS
1,709,544 A * 4/1929 Sanders B43L 3/00
524/271
2,105,230 A * 1/1938 Schade B43L 3/00
248/504
D122,771 S * 10/1940 Doner D6/300
2,308,654 A * 1/1943 Goldstein B43L 3/00
248/504
D186,114 S * 9/1959 Church D6/300
3,478,997 A * 11/1969 Goss A47G 1/215
248/488

(Continued)

Primary Examiner — Elizabeth A. Albert

1 Claim, 18 Drawing Sheets



(56)

References Cited

U.S. PATENT DOCUMENTS

3,665,628 A * 5/1972 Dammond A47G 1/0638
 40/792
 D250,504 S * 12/1978 Kliot D6/300
 4,187,630 A * 2/1980 Giulie A47G 1/0611
 40/757
 D255,856 S * 7/1980 Higson D6/300
 D312,925 S * 12/1990 Burhardt D6/314
 D343,065 S * 1/1994 Barbieri D6/310
 6,802,145 B2 * 10/2004 Sparkowski G09F 7/18
 40/606.18
 D547,073 S * 7/2007 Mischel, Jr. D14/129
 D563,108 S * 3/2008 Shail D6/300
 D572,763 S * 7/2008 Neiser D19/95
 D579,671 S * 11/2008 Mischel, Jr. D6/303
 7,823,311 B2 * 11/2010 Pitcher G09F 7/10
 40/790
 D646,332 S * 10/2011 Yi D20/15
 D650,016 S * 12/2011 Yi D20/15
 D687,493 S * 8/2013 Rippinger D19/113
 D687,497 S * 8/2013 Mattaliano D20/42
 D747,412 S * 1/2016 Sachs D19/113
 D789,922 S * 6/2017 Yamazaki D14/341
 9,681,762 B2 * 6/2017 Peng A47G 1/0611
 D792,518 S * 7/2017 Sachs D19/113
 D831,111 S 10/2018 Kang
 D832,918 S 11/2018 Kang
 D836,720 S 12/2018 Kang
 10,223,941 B2 * 3/2019 Anzalone G09F 7/18
 D859,009 S * 9/2019 Gough D6/300
 D867,452 S * 11/2019 Morris D19/113
 D896,555 S * 9/2020 Smith D6/612
 2013/0074389 A1 * 3/2013 Anzalone G09F 7/10
 40/700

* cited by examiner

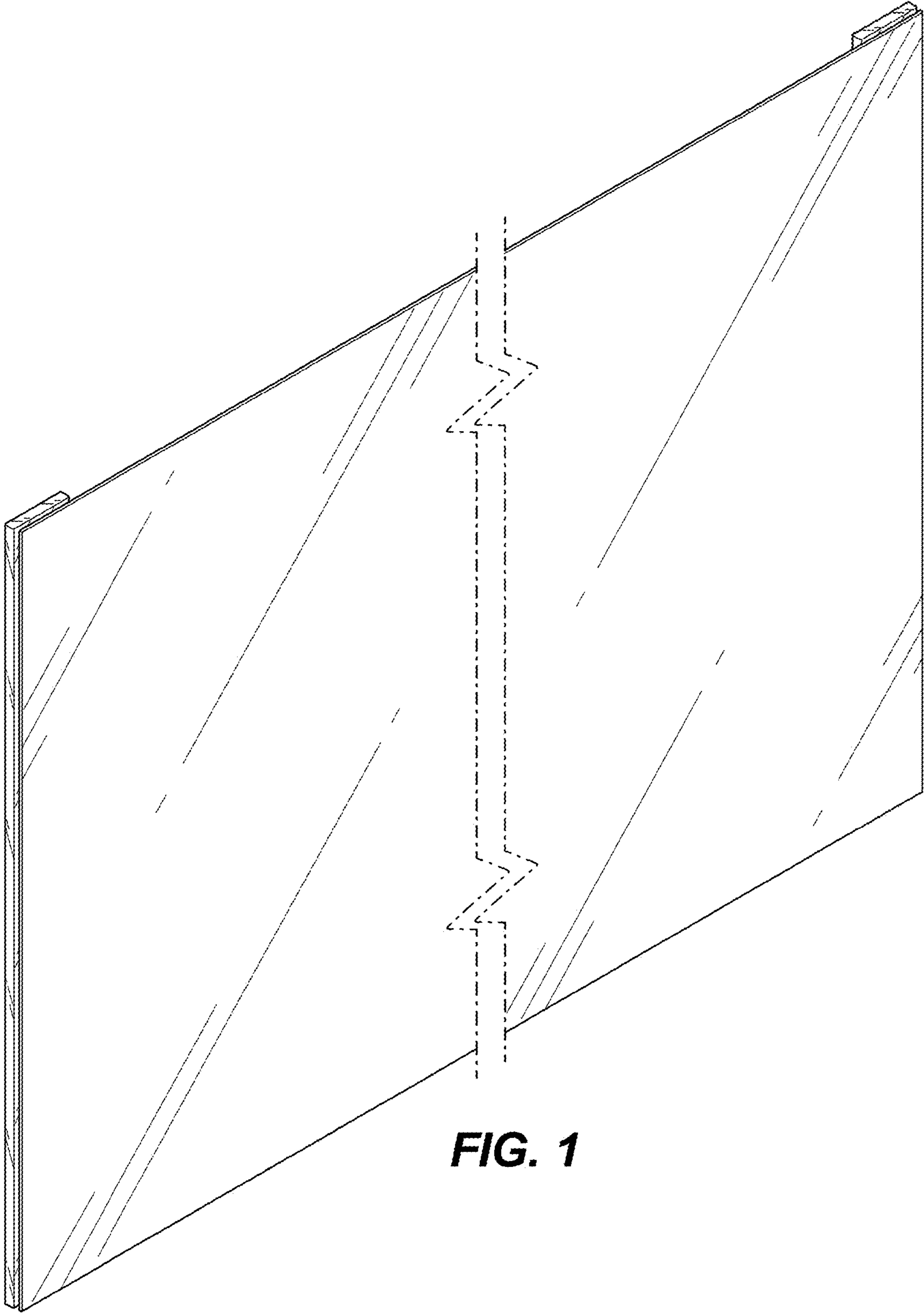


FIG. 1

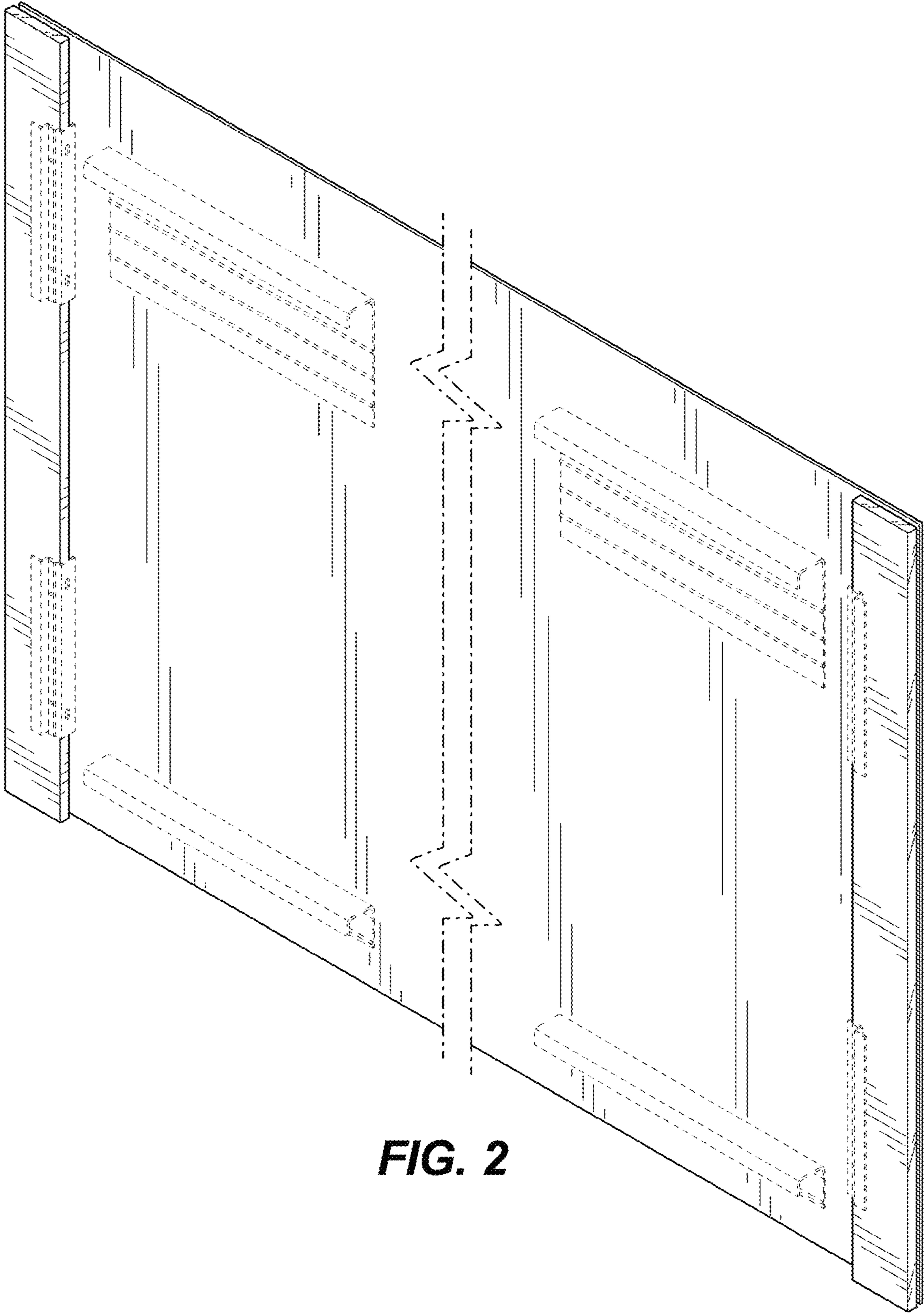


FIG. 2

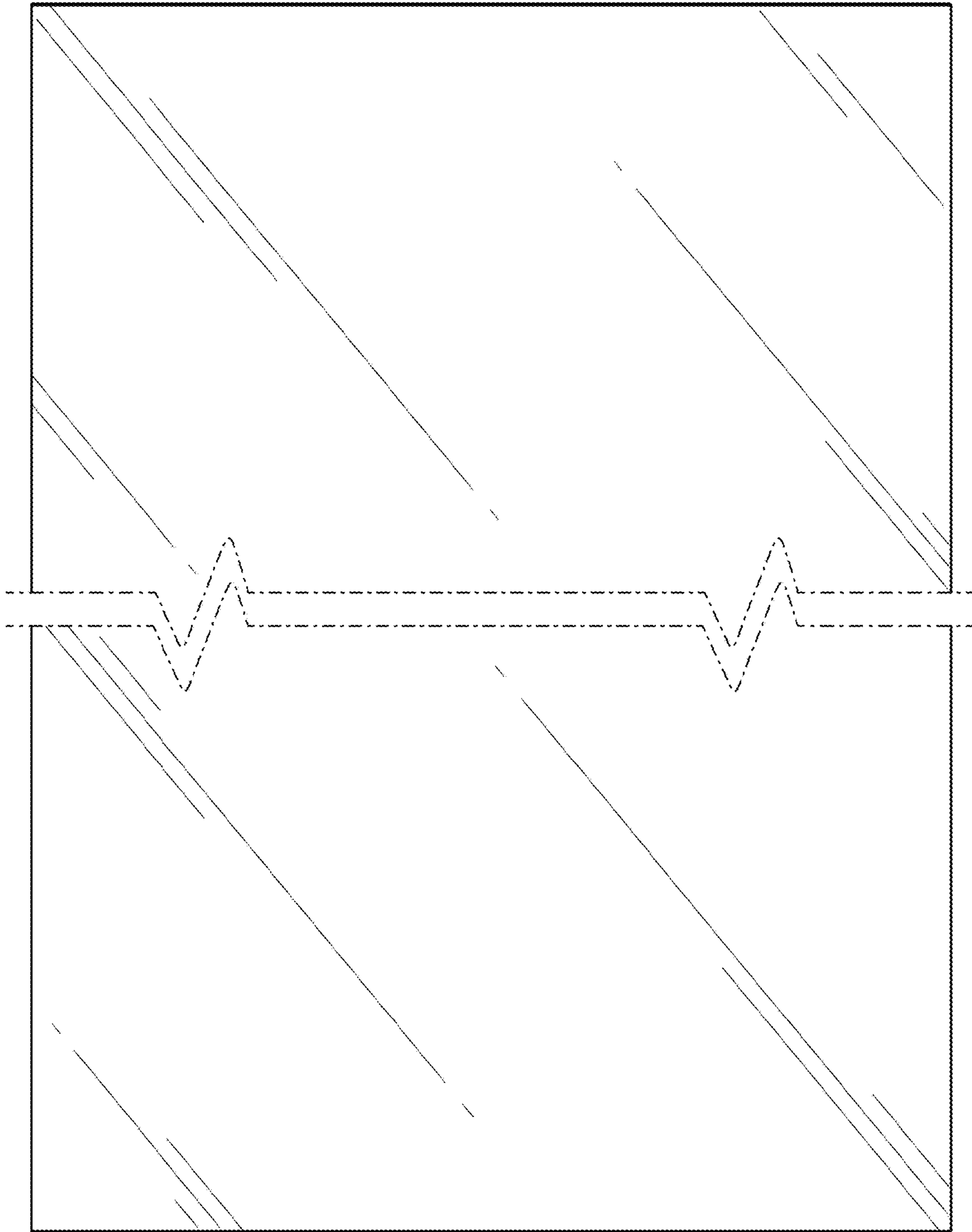


FIG. 3

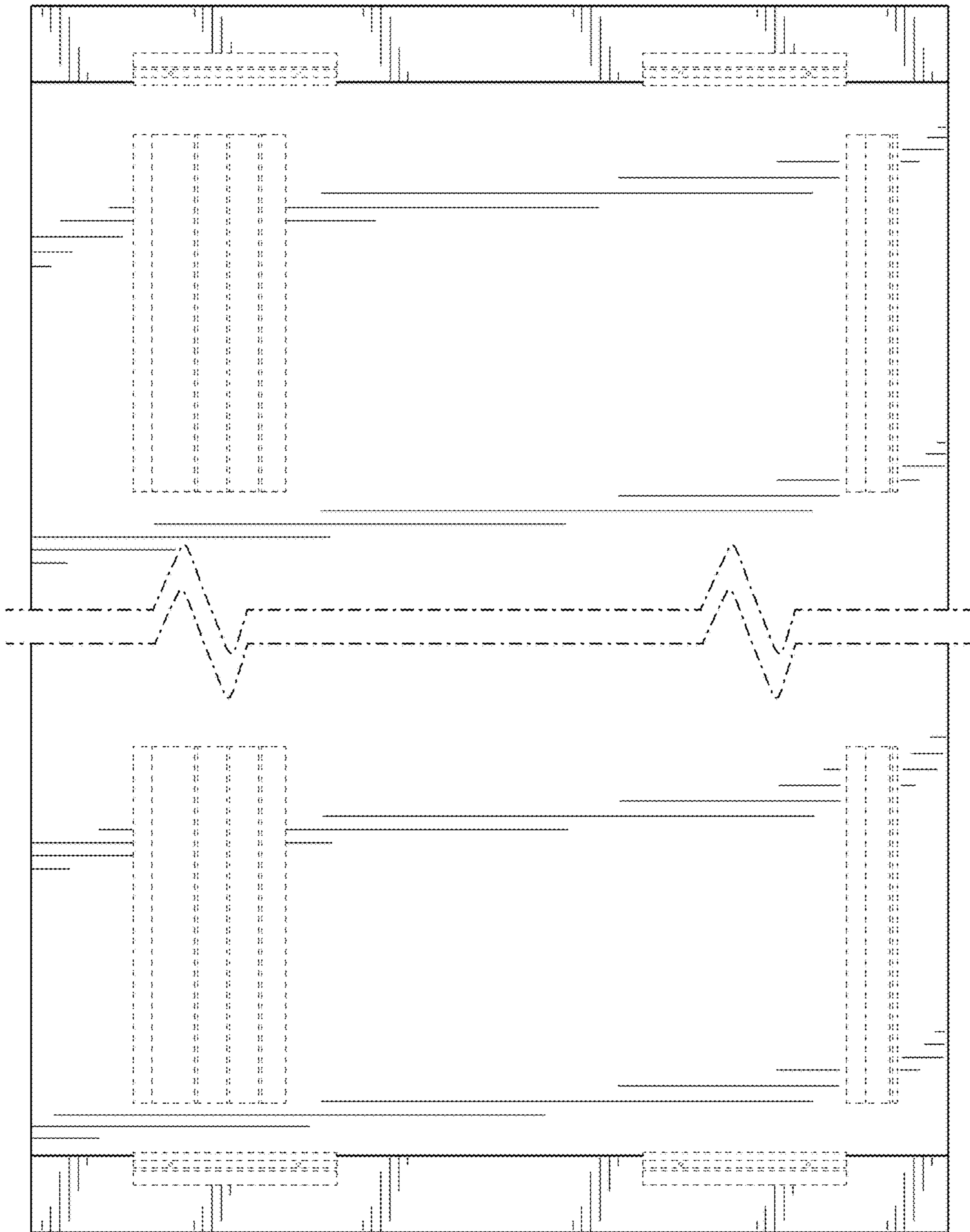


FIG. 4

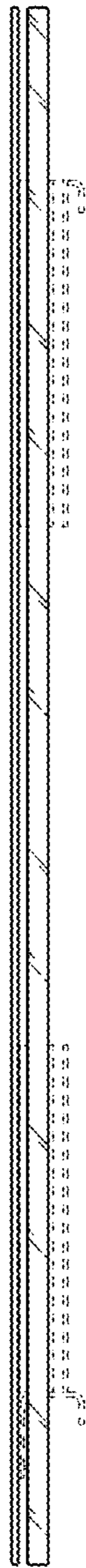


FIG. 5



FIG. 6



FIG. 7

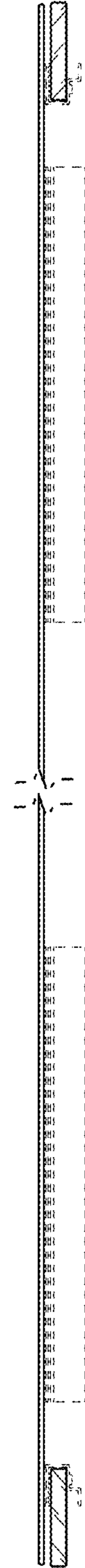


FIG. 8

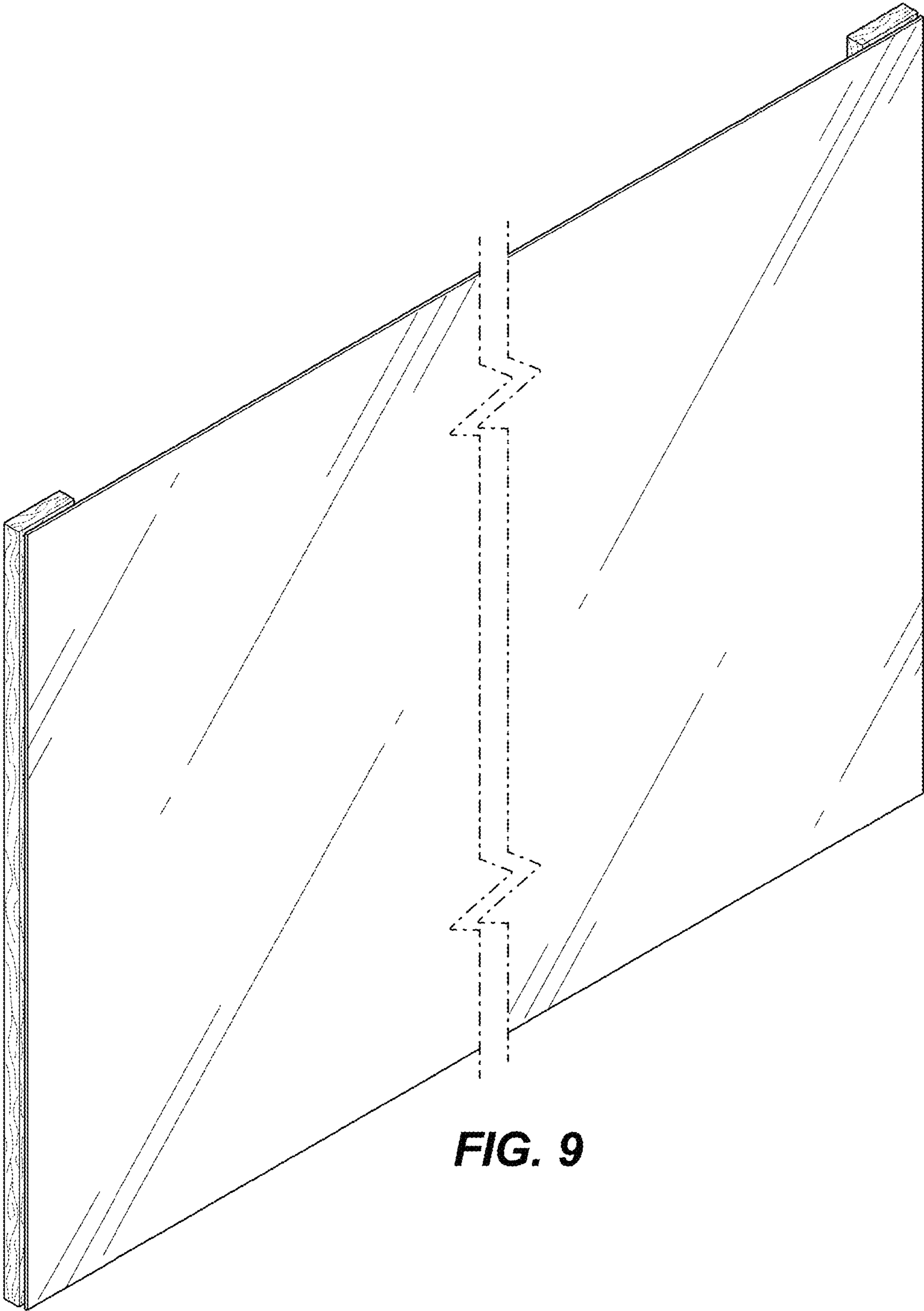


FIG. 9

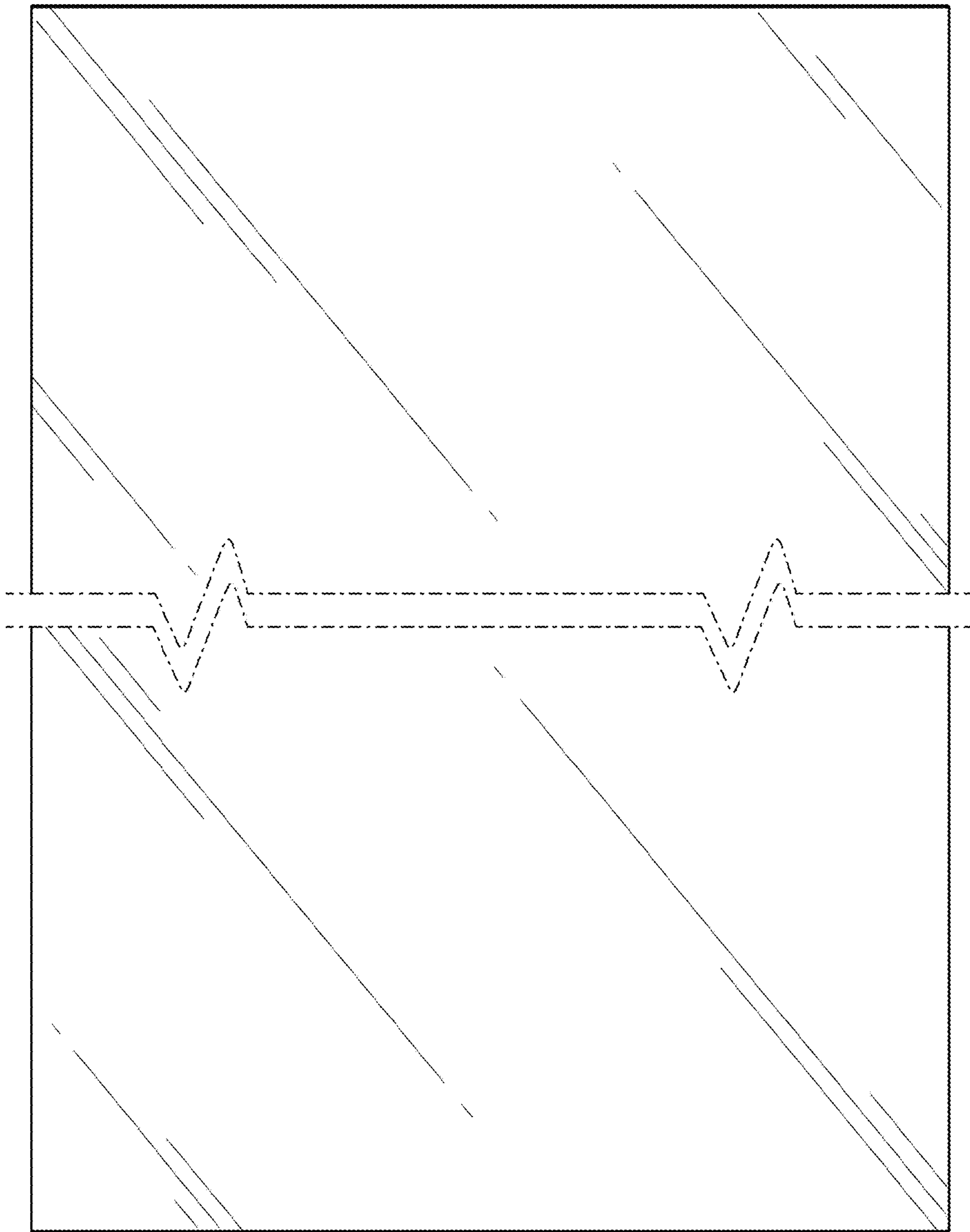


FIG. 11

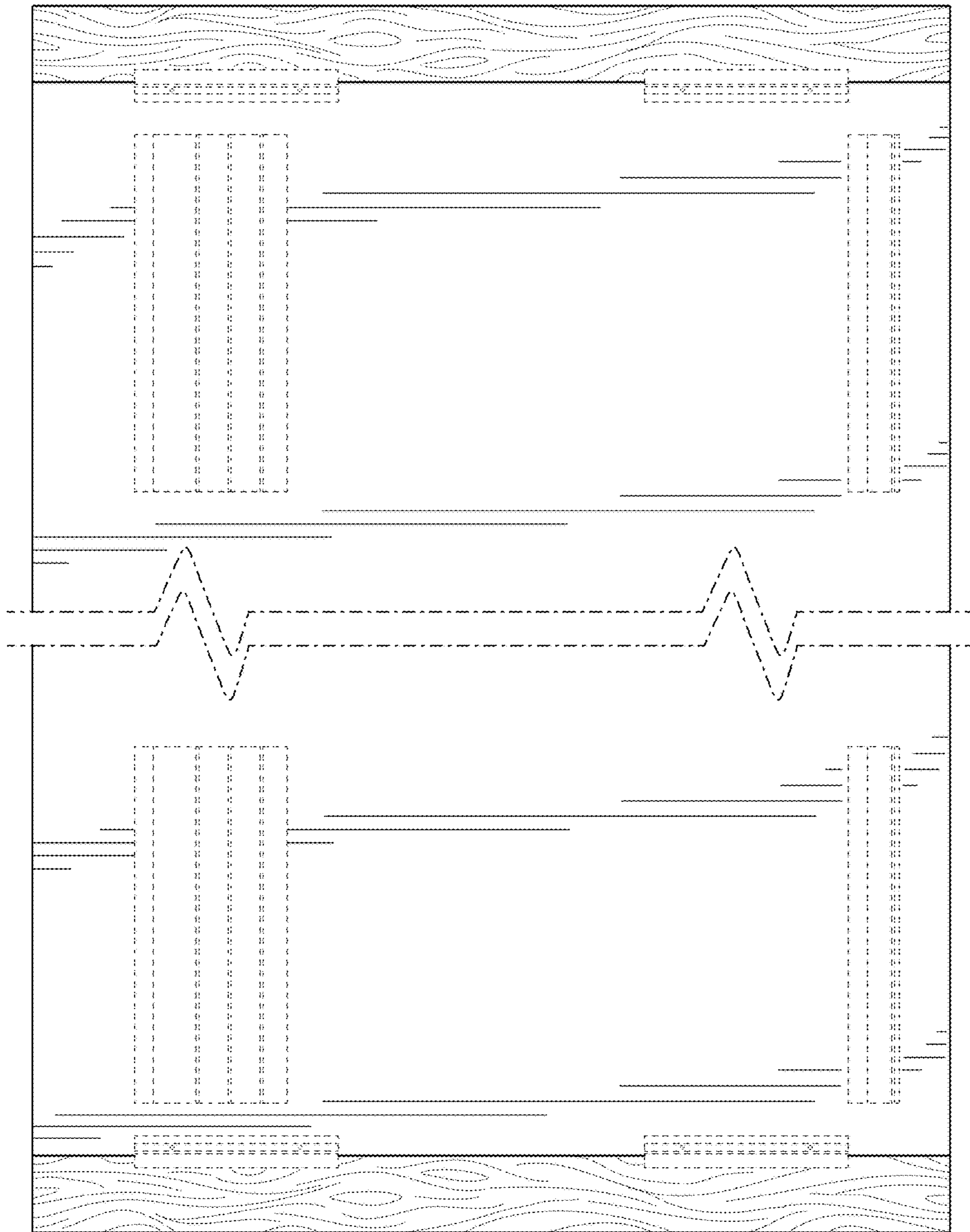


FIG. 12

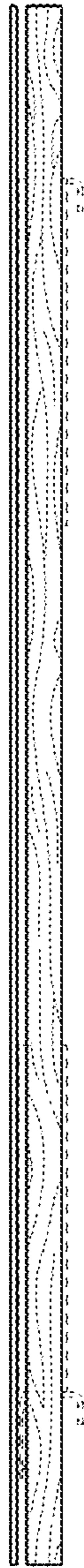


FIG. 13



FIG. 14



FIG. 15

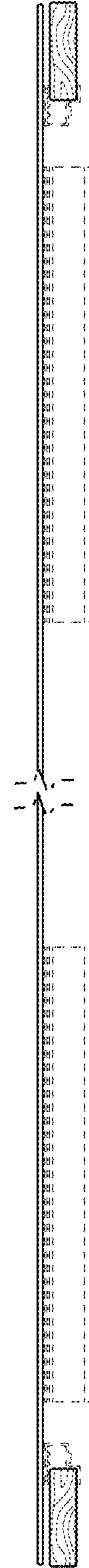


FIG. 16

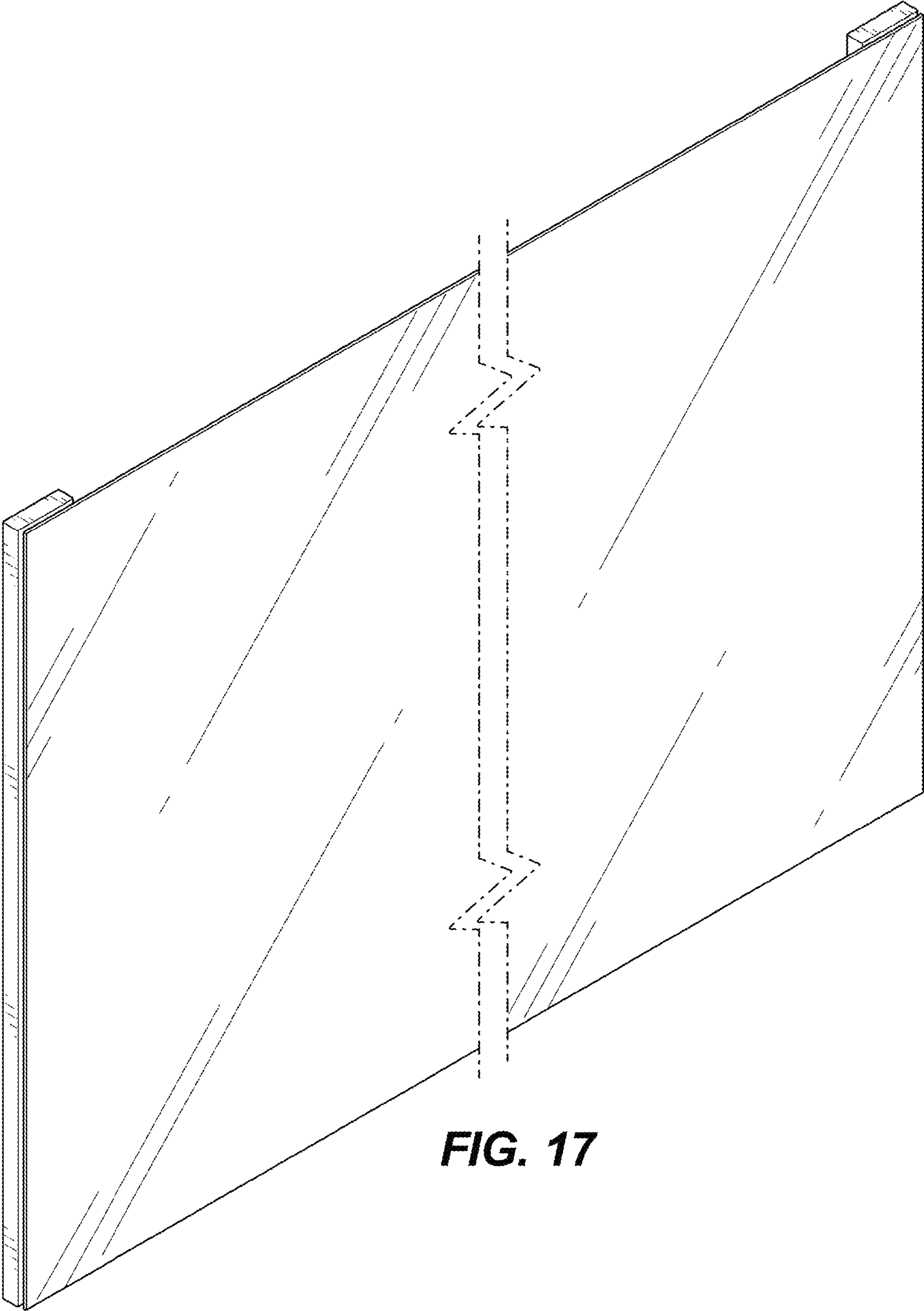


FIG. 17

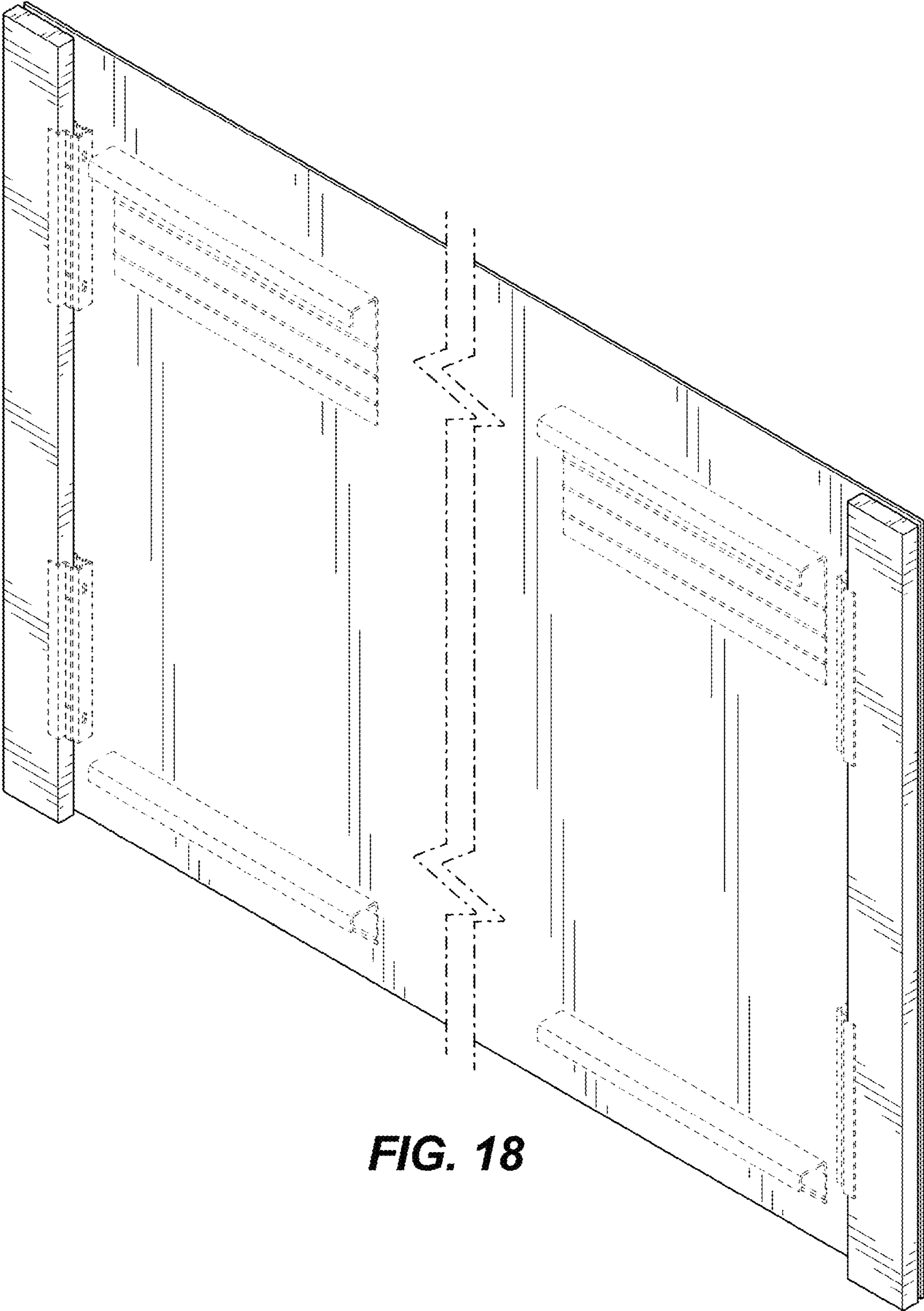


FIG. 18

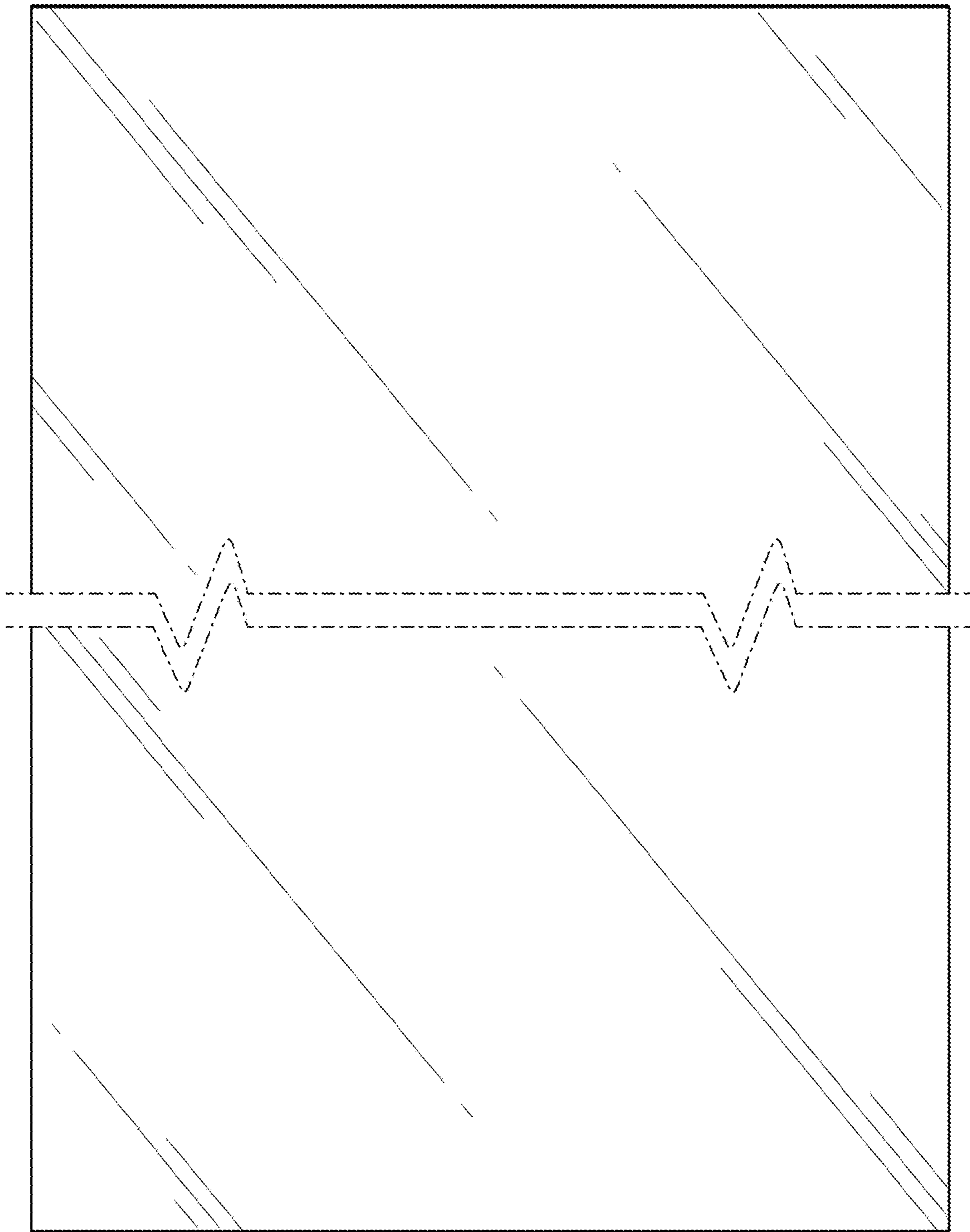


FIG. 19

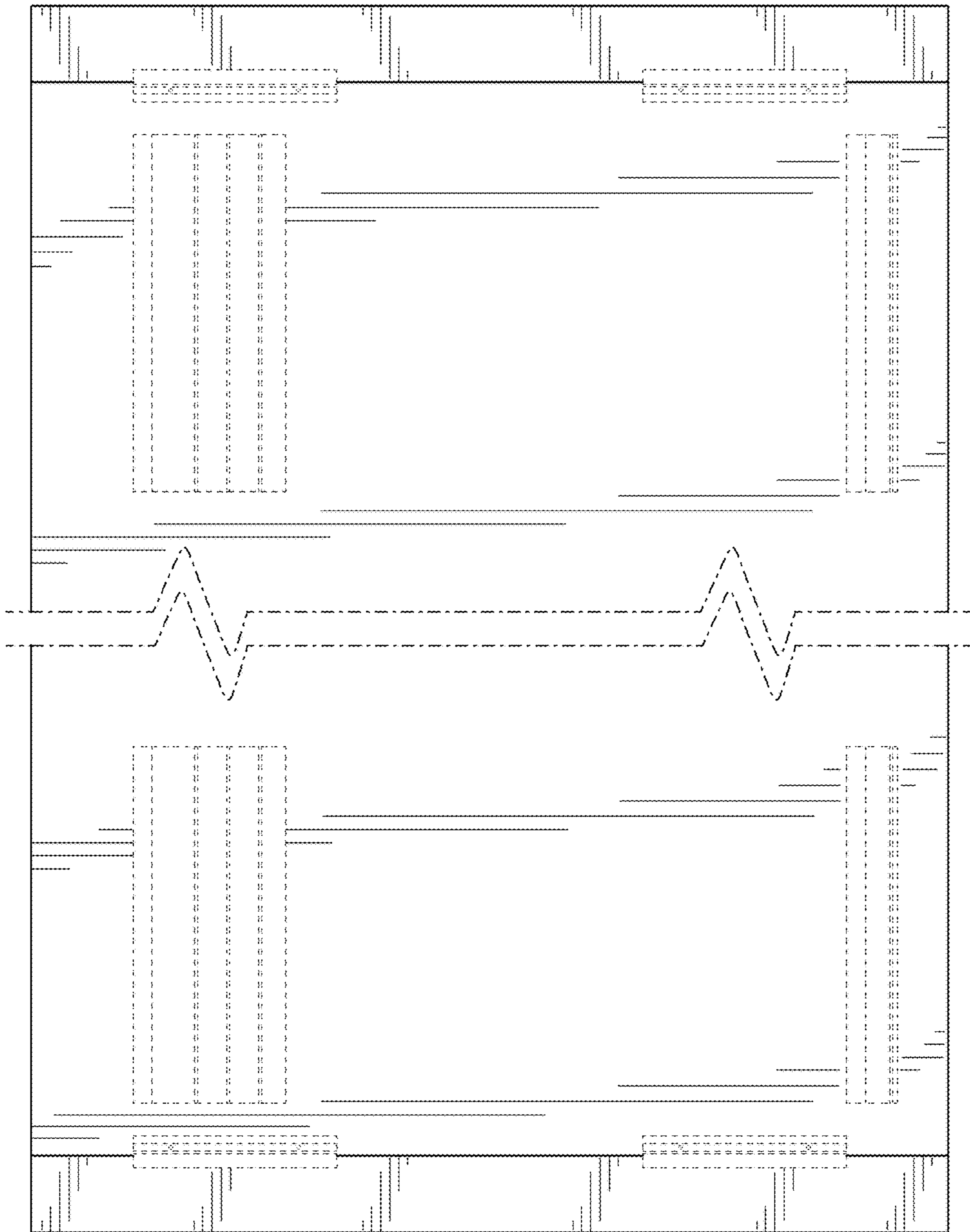


FIG. 20

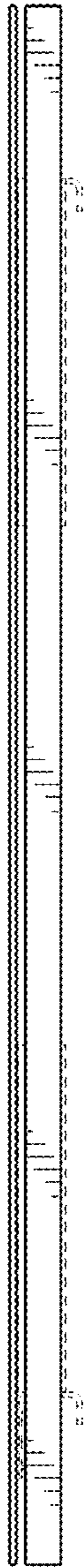


FIG. 21

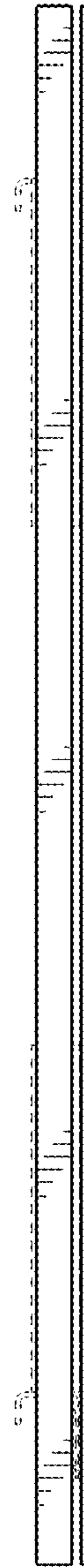


FIG. 22



FIG. 23

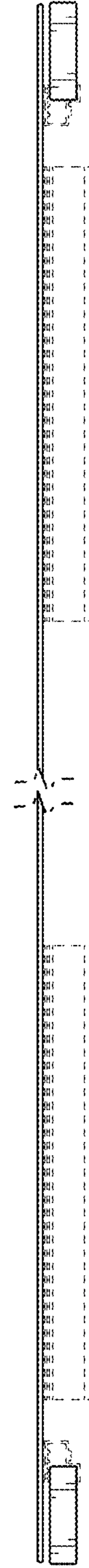


FIG. 24