



US00D930072S

(12) **United States Design Patent** (10) **Patent No.:** **US D930,072 S**  
**Zheng et al.** (45) **Date of Patent:** **\*\* Sep. 7, 2021**

(54) **LABEL TAPE CASSETTE**  
(71) Applicant: **ZHUHAI BOYEEZON TECHNOLOGY CO., LTD**, Zhuhai (CN)  
(72) Inventors: **Jiedong Zheng**, Zhuhai (CN); **Xiaohui Deng**, Zhuhai (CN)

6,386,416 B1 \* 5/2002 Dunshee ..... B65H 35/0026 225/43  
D570,919 S \* 6/2008 Chan ..... D19/69  
D579,942 S \* 11/2008 Terry ..... D14/474  
D616,941 S \* 6/2010 Bradfield ..... D19/69  
D656,548 S \* 3/2012 Packard ..... D19/69  
D730,444 S \* 5/2015 Hansen ..... D19/69

(Continued)

**FOREIGN PATENT DOCUMENTS**

CN 306503980 \* 4/2021  
JP 11123846 A \* 5/1999 ..... B41J 3/4075

(Continued)

**OTHER PUBLICATIONS**

Allied Electronics & Automation. Link: <https://www.alliedelec.com/product/brady/143328/70449481/>. Visited May 6, 2021. Brady 143328 Repositionable Vinyl Cloth Terminal Block Labels. (Year: 2021).\*

(Continued)

*Primary Examiner* — Lauren D McVey

(57) **CLAIM**

The ornamental design for a label tape cassette, as shown and described.

**DESCRIPTION**

FIG. 1 is a front and top perspective view of a label tape cassette, showing, our new design;  
FIG. 2 is a rear and bottom perspective view thereof;  
FIG. 3 is a front elevational view thereof;  
FIG. 4 is a rear elevational view thereof;  
FIG. 5 is a left side elevational view thereof,  
FIG. 6 is a right side elevational view thereof;  
FIG. 7 is a top plan view thereof; and,  
FIG. 8 is a bottom plan view thereof.  
The broken lines in the figures illustrate portions of the label tape cassette that form no part of the claimed design.

**1 Claim, 8 Drawing Sheets**

(\*\*) Term: **15 Years**  
(21) Appl. No.: **29/760,508**  
(22) Filed: **Dec. 2, 2020**

(30) **Foreign Application Priority Data**

Nov. 17, 2020 (CN) ..... 202030695715.X

(51) **LOC (13) Cl.** ..... **18-02**

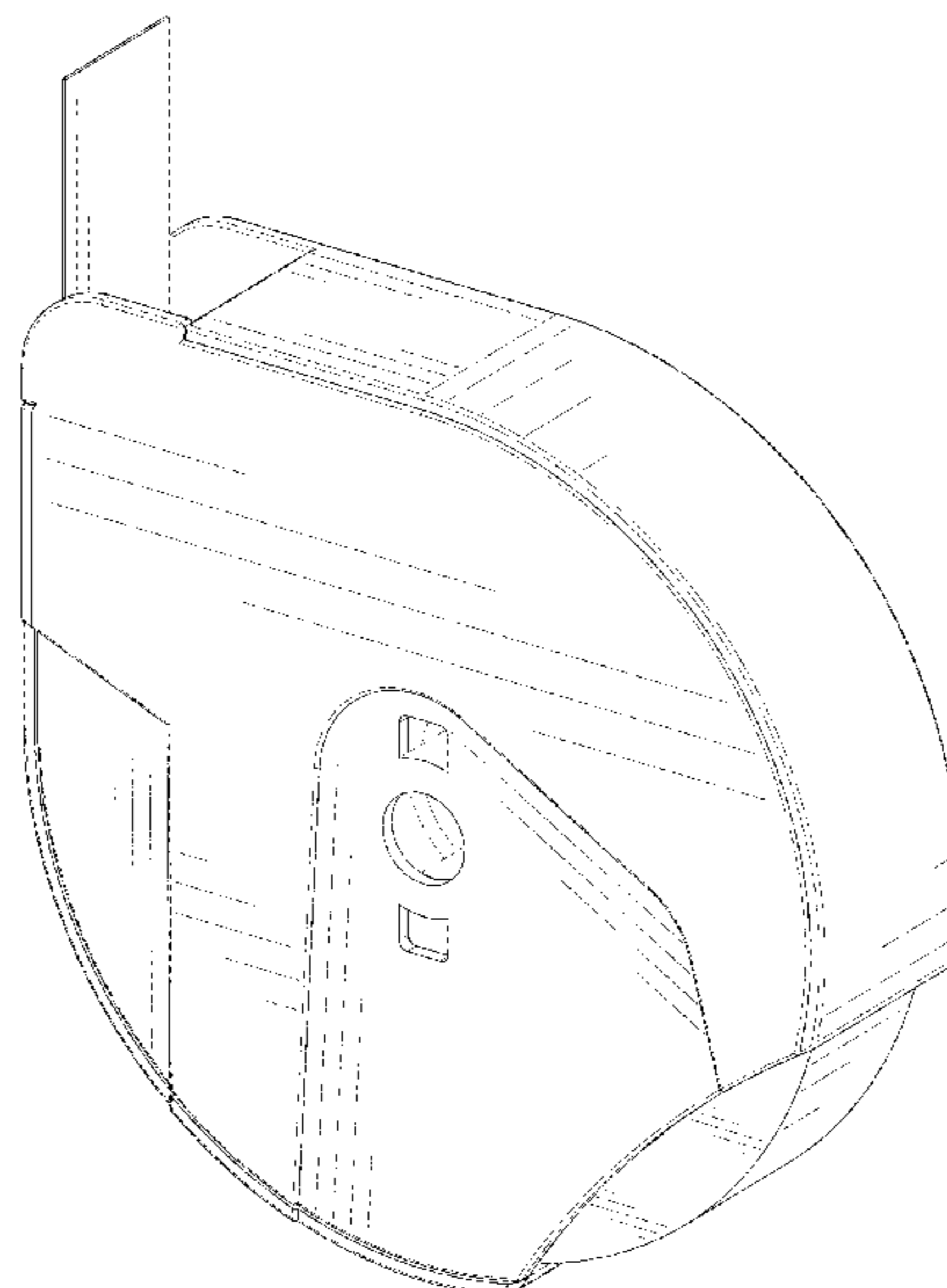
(52) **U.S. Cl.**  
USPC ..... **D18/56**

(58) **Field of Classification Search**  
USPC ..... D18/56, 12, 14, 15, 16, 17, 18, 19, 36, D18/37, 38, 39, 40, 41, 45, 54, 55, 50, D18/53, 43; D19/65, 66, 67, 68, 69, 70, D19/71; D14/301, 307, 121  
CPC ..... H04N 1/00204; H04N 1/00249; H04N 1/00278; G06K 15/12; G06K 15/14; B41J 3/00; B41J 3/28; B41J 3/445; B41J 3/46; B41J 11/0045; B41J 2/3358; B41J 3/36; B41J 3/382; B41C 1/144  
See application file for complete search history.

(56) **References Cited**

**U.S. PATENT DOCUMENTS**

D194,819 S \* 3/1963 Lausa ..... D19/69  
D207,468 S \* 4/1967 Addis ..... D19/69  
D238,360 S \* 1/1976 Gibbs ..... D19/69  
D333,794 S \* 3/1993 Emori ..... D10/70  
D378,101 S \* 2/1997 Ito ..... D18/56



(56)

**References Cited**

U.S. PATENT DOCUMENTS

D788,195 S \* 5/2017 Liu ..... D15/122  
D912,726 S \* 3/2021 Tanaka ..... D18/56

FOREIGN PATENT DOCUMENTS

JP 2003251902 A \* 9/2003 ..... B41J 32/00  
WO WO-03072366 A1 \* 9/2003 ..... B41J 32/00

OTHER PUBLICATIONS

Amazon. Link: [https://www.amazon.com/Embossing-Compatible-Plastic-Organizer-DYM12966/dp/B07MF2W3C9/ref=sr\\_1\\_9?crd=3R7TIP96N6B5W&dchild=1&keyw%E2%80%A6](https://www.amazon.com/Embossing-Compatible-Plastic-Organizer-DYM12966/dp/B07MF2W3C9/ref=sr_1_9?crd=3R7TIP96N6B5W&dchild=1&keyw%E2%80%A6). Jan. 23, 2019. Oozmas Compatible Label Tape Replacement for Dymo Embossing Tape. (Year: 2019).\*

Amazon. Link: [https://www.amazon.com/IKONG-Compatible-Replacement-Brother-P-touch/dp/B084X6DWCL/ref=sr\\_1\\_1\\_sspa?dchild=1&keywords=brother%2Blab%E2%80%A6](https://www.amazon.com/IKONG-Compatible-Replacement-Brother-P-touch/dp/B084X6DWCL/ref=sr_1_1_sspa?dchild=1&keywords=brother%2Blab%E2%80%A6). Feb. 18, 2020. IKONG Compatbile Replacement for Brother M231 M-231 M-K231 MK231 Label Tape. (Year: 2020).\*

Grainger. Link: <https://www.grainger.com/product/BRADY-Black-on-White-4EA53?searchQuery=XPS-187-1&searchBar=true>. Visited May 6, 2021. For IDXPERT™ printer Black on White, 100 Labels per roll. (Year: 2021).\*

\* cited by examiner

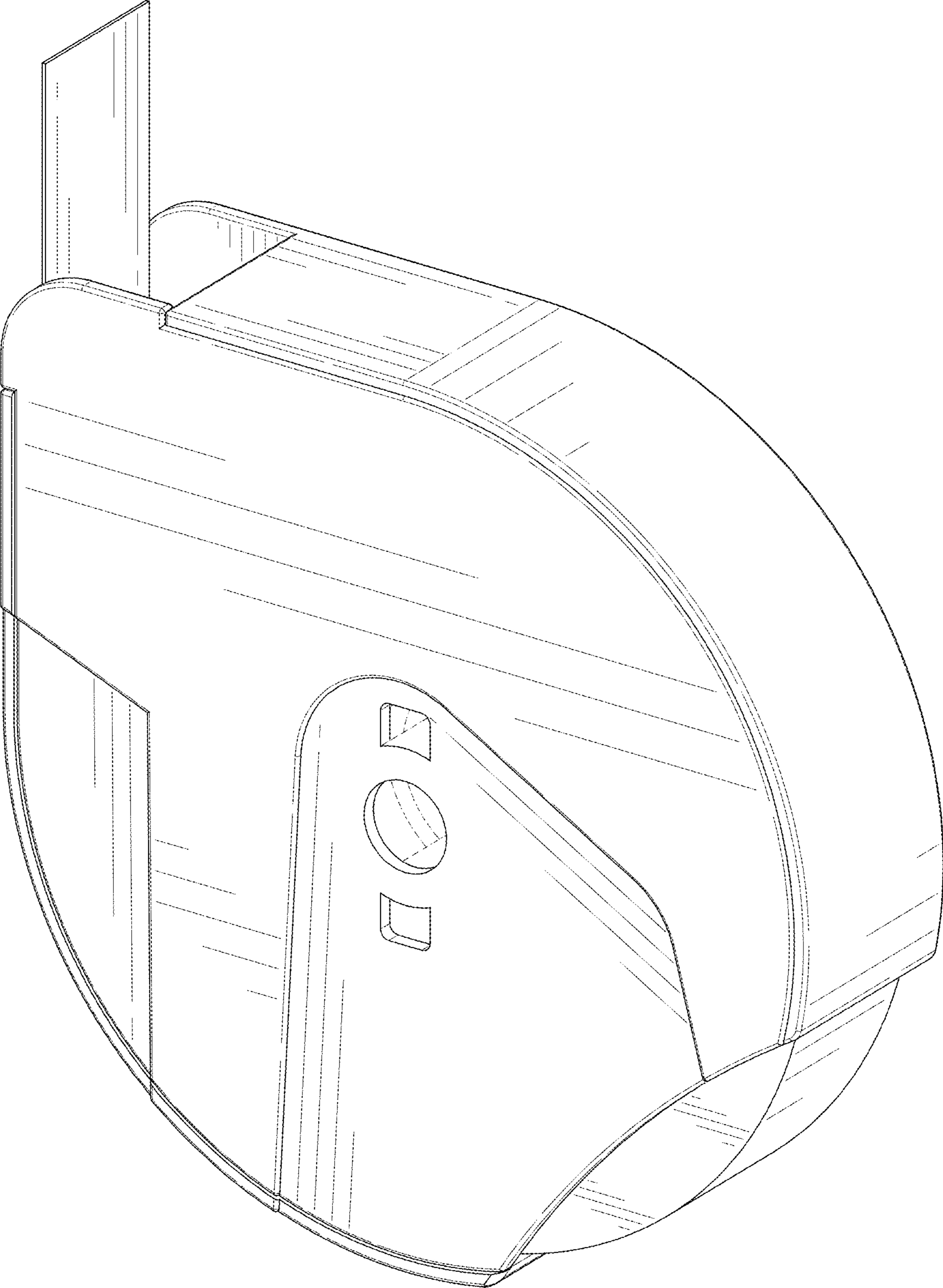


FIG. 1

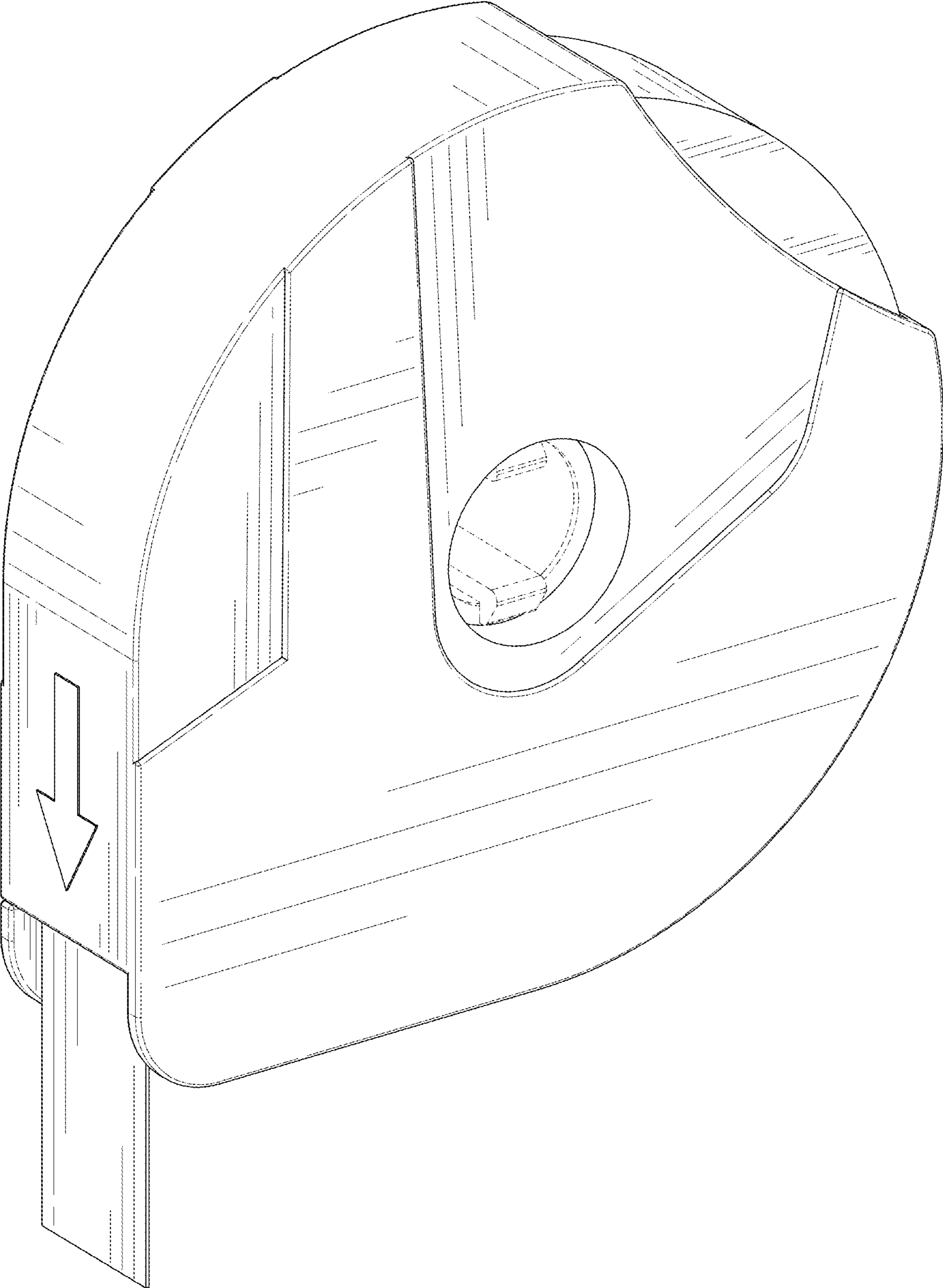


FIG. 2

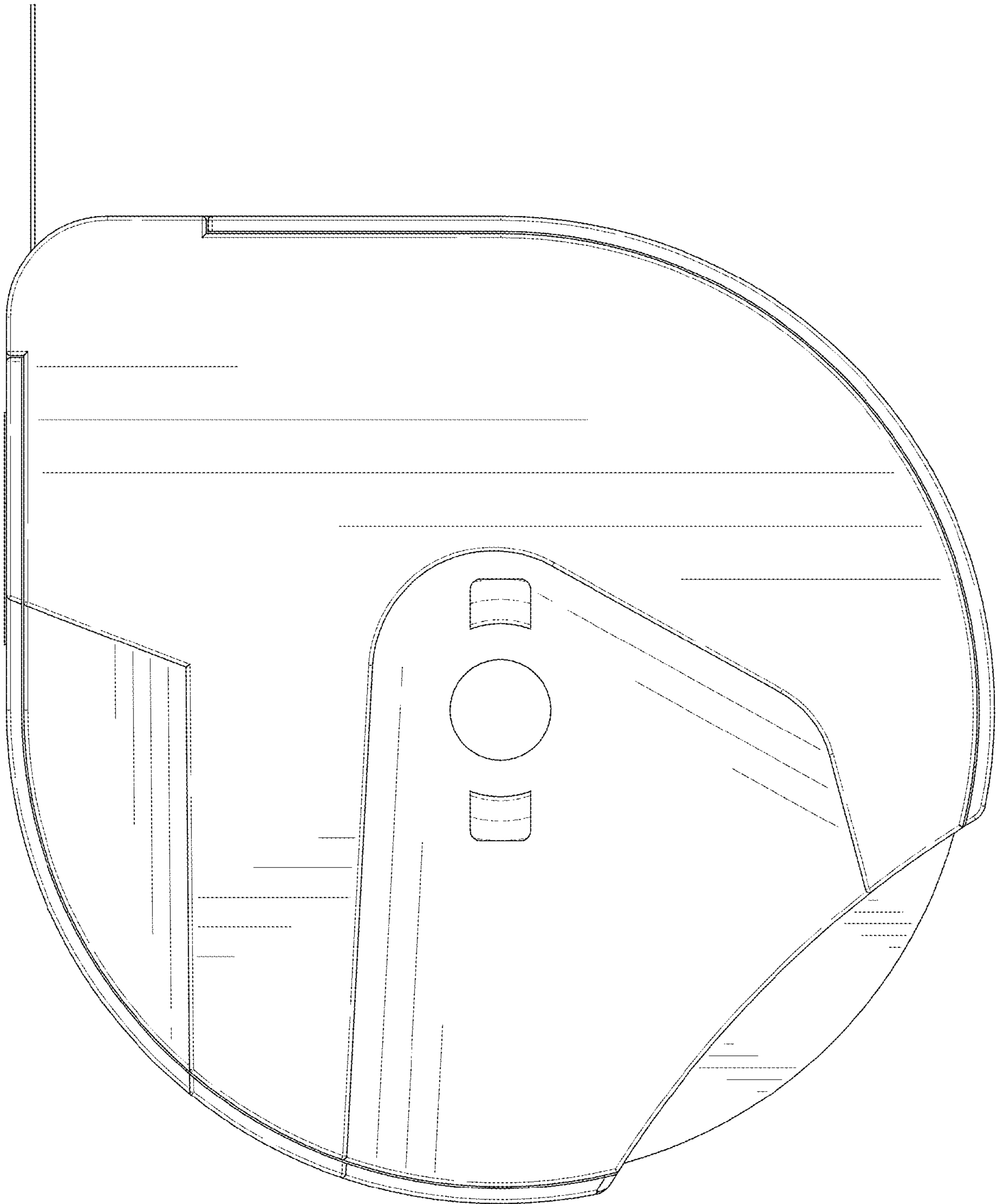


FIG. 3

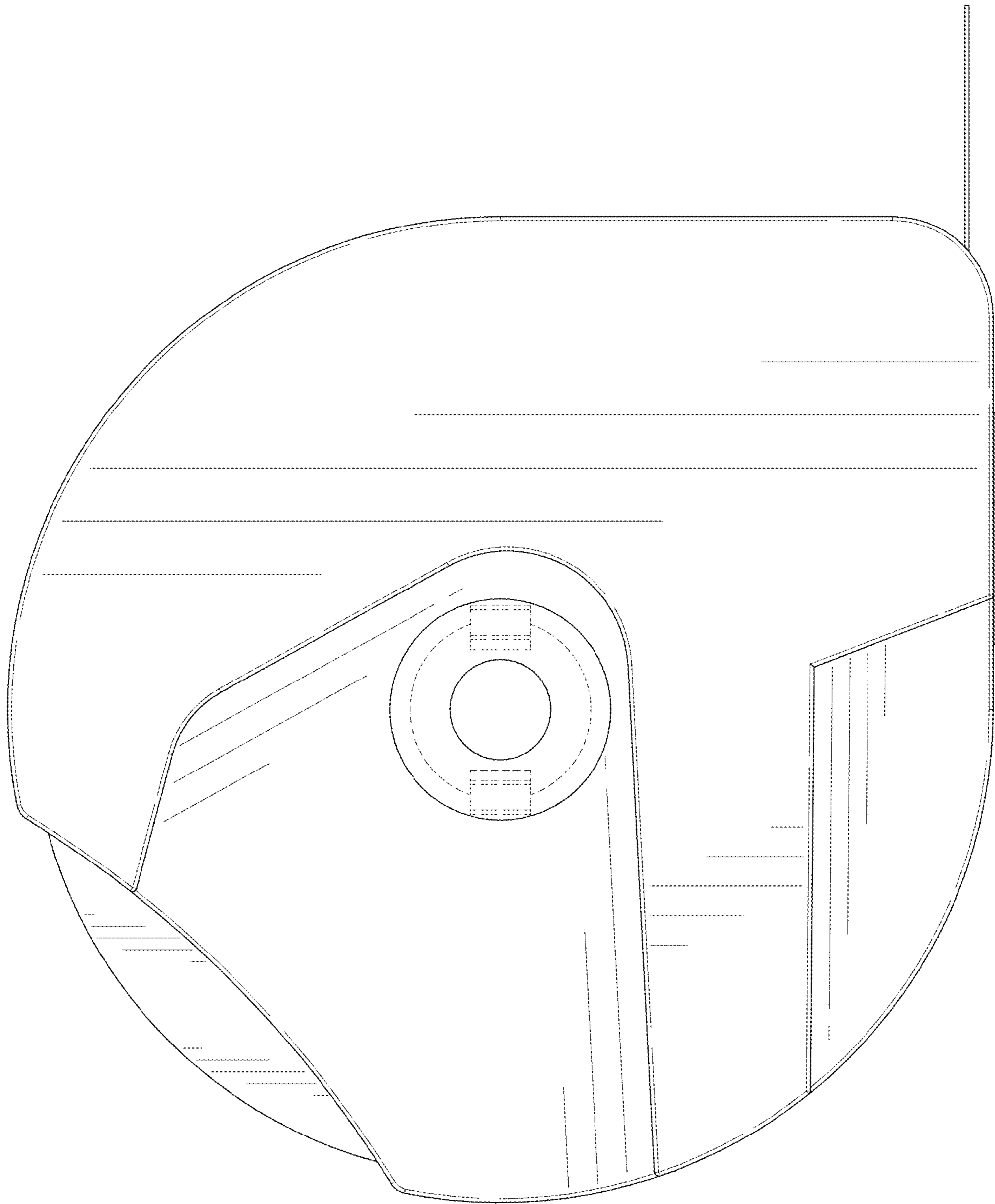


FIG. 4

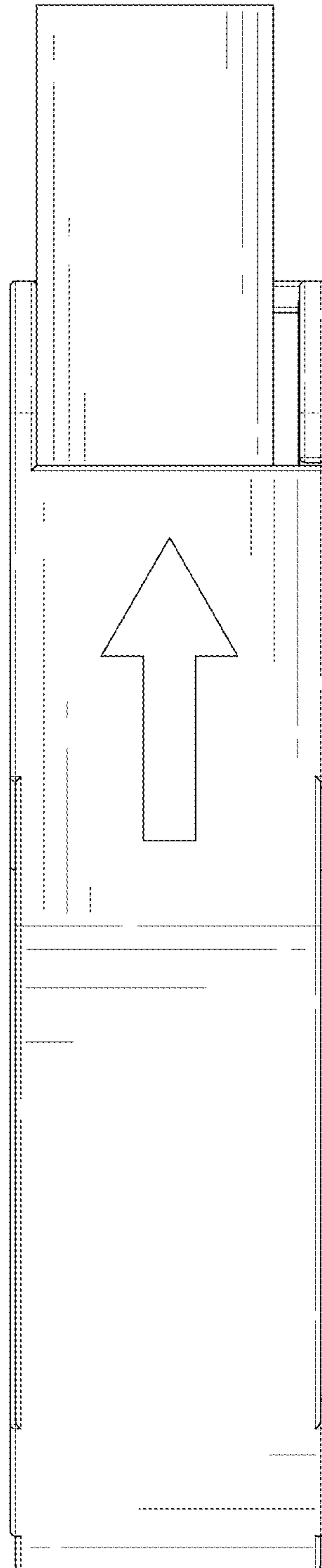


FIG. 5

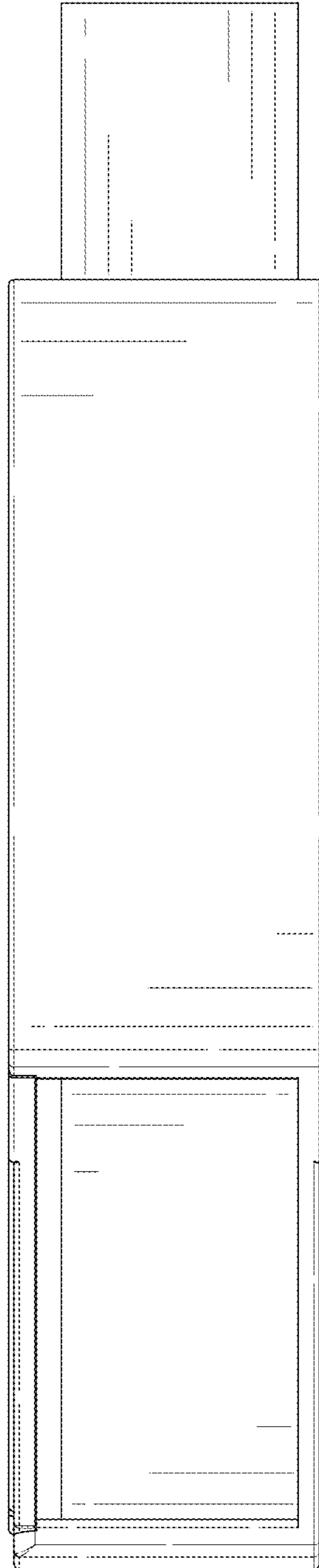


FIG. 6



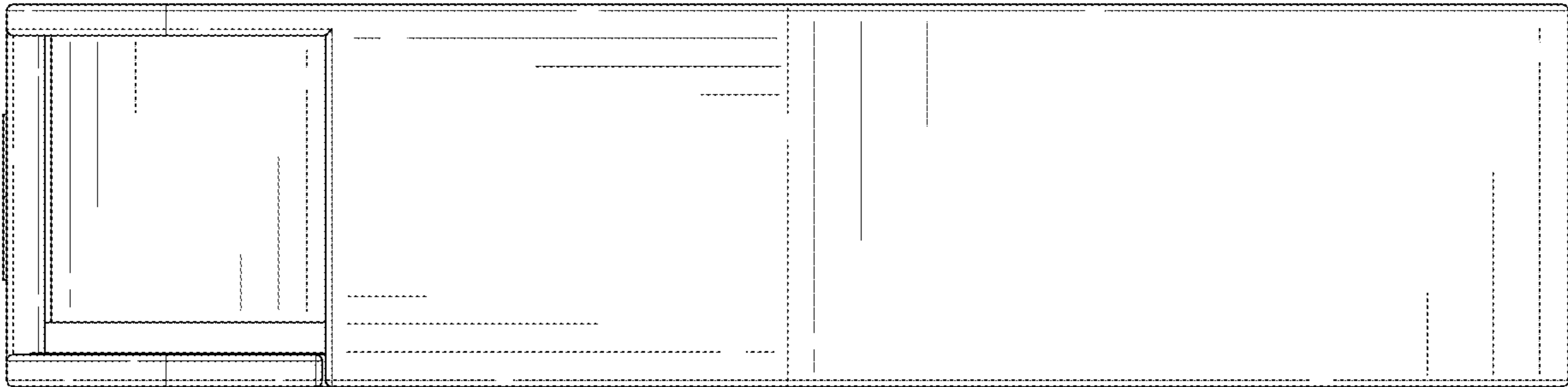


FIG. 7

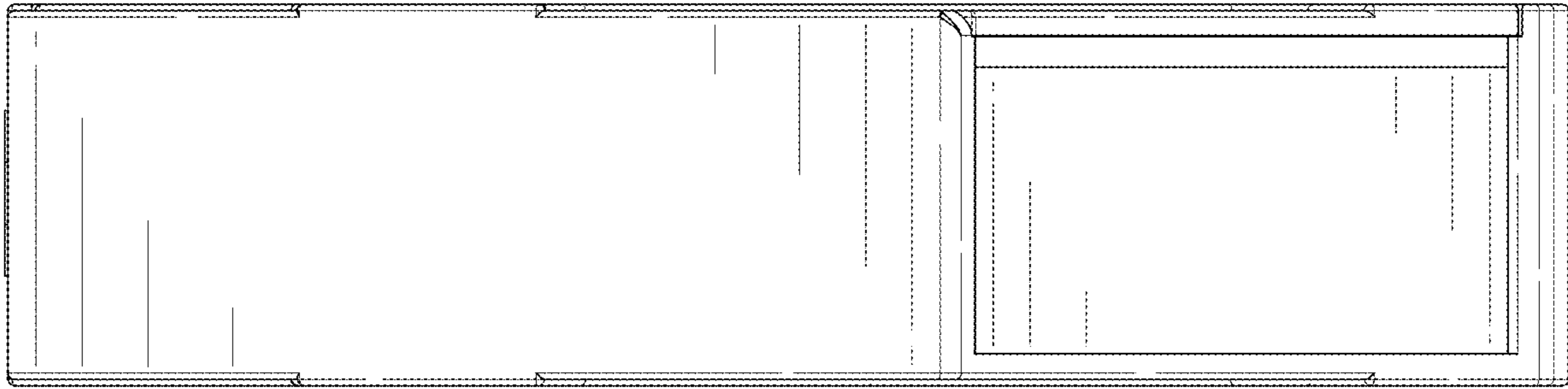


FIG. 8