



US00D930070S

(12) **United States Design Patent**
Ishimoto et al.

(10) **Patent No.:** **US D930,070 S**
(45) **Date of Patent:** **** Sep. 7, 2021**

(54) **TAPE CARTRIDGE FOR A LABEL PRINTER**

(71) Applicant: **SEIKO EPSON CORPORATION**,
Tokyo (JP)

(72) Inventors: **Akio Ishimoto**, Shiojiri (JP); **Taishi Sasaki**, Matsumoto (JP)

(73) Assignee: **SEIKO EPSON CORPORATION**,
Tokyo (JP)

(**) Term: **15 Years**

(21) Appl. No.: **29/718,489**

(22) Filed: **Dec. 24, 2019**

(30) **Foreign Application Priority Data**

Jun. 28, 2019 (JP) 2019-014479

(51) **LOC (13) Cl.** **18-02**

(52) **U.S. Cl.**
USPC **D18/56**

(58) **Field of Classification Search**
USPC D15/122, 135-138, 141, 66, 73, 76-78;
D18/53, 59, 50, 14, 19, 54-57, 36-45,
D18/34.4, 34.5, 34.6, 18, 51, 12, 46-49;
D14/301-303, 307, 345, 420-425, 462;
D6/691.4, 675, 708; D13/107, 108
CPC B41J 2/14; B41J 1/54; B41J 3/4073; B41J
3/4078; B41F 17/22; B41F 17/003; B41F
17/38; B28B 1/001; G03G 15/08; G03G
15/0891; G03G 15/0875; G03G
2215/0827; G03G 2215/0855; G03G
21/1842

See application file for complete search history.

(56) **References Cited**

U.S. PATENT DOCUMENTS

D303,795 S * 10/1989 Brown D14/476
D372,269 S * 7/1996 Miyazaki 400/208

5,653,542 A * 8/1997 Sugimoto B26D 5/00
400/207
5,690,437 A * 11/1997 Yanagisawa B41J 2/3551
400/120.14
5,771,803 A * 6/1998 Takami B41C 1/144
101/128.21

(Continued)

FOREIGN PATENT DOCUMENTS

CN 305929003 * 7/2020
WO WO D205565-002 * 6/2020
WO WO D205565-003 * 6/2020

OTHER PUBLICATIONS

BMP51 BMP53 Continuous Self-laminating Polyester Cryogenic Laboratory Labels, no date available [online], [retrieved Jun. 4, 2021], Available from Internet, URL: https://www.bradyid.com/labels/laboratory/cryogenic/bmp51-bmp53-continuous-self-laminating-polyester-cryogenic-laboratory-labels-cps-brus-11864?part-number=mc-1250-461&cid=ppc&camp=ppc-us-brand-google.com-shopping-printer_labels-61860451900-MC-1250-461&s_kwid=AL!10720!3!307462897601!!!g!551763130693!&clid=EAlalQobChMlvcCD1MD88AIVB46zCh0FPwi0EAkYCCABEGl0m_D_BwE.*

(Continued)

Primary Examiner — Dana K Weiland
Assistant Examiner — Mary Claire Ramirez

(57) **CLAIM**

The ornamental design for a tape cartridge for a label printer, as shown and described.

DESCRIPTION

FIG. 1 is a front, top and right side perspective view of a tape cartridge for a label printer showing our new design;
FIG. 2 is a rear, bottom and left side perspective view thereof;
FIG. 3 is a front view thereof;
FIG. 4 is a rear view thereof;
FIG. 5 is a top plan view thereof;
FIG. 6 is a bottom plan view thereof;

(Continued)

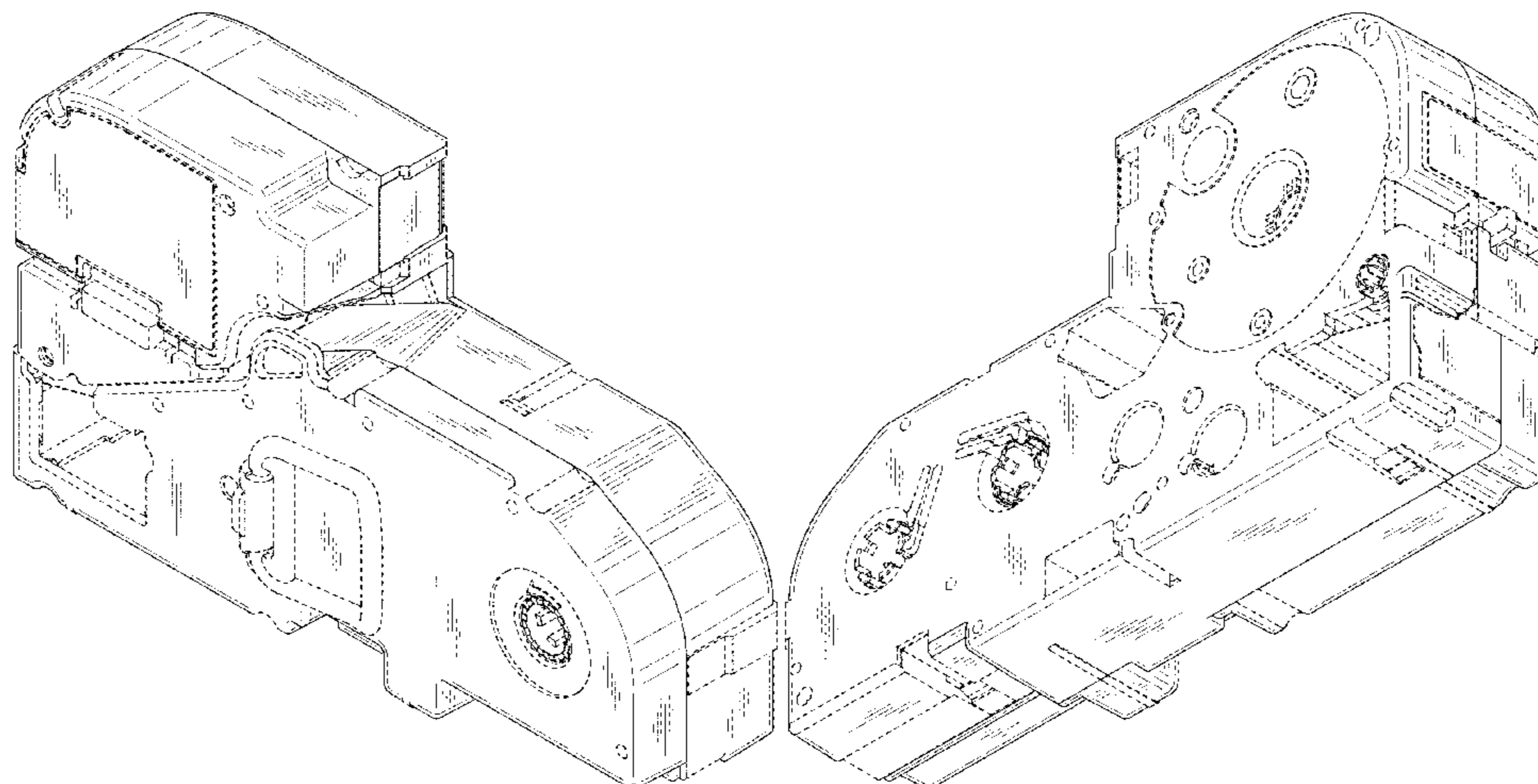


FIG. 7 is a right side view thereof; and,
 FIG. 8 is a left side view thereof.
 The broken lines illustrate portions of the tape cartridge for
 a label printer that form no part of the claimed design.

1 Claim, 8 Drawing Sheets

(56)

References Cited

U.S. PATENT DOCUMENTS

5,853,254 A * 12/1998 Inakoshi B41J 32/00
 400/207
 D423,566 S * 4/2000 Hosono D18/56
 6,485,206 B1 * 11/2002 Takahashi B41J 3/4075
 400/120.16
 D537,105 S * 2/2007 Obenshain D18/12
 D590,439 S * 4/2009 Kikuchi D18/40
 D647,127 S * 10/2011 Mita D18/12
 D660,352 S * 5/2012 Sodeyama D18/56
 D665,020 S * 8/2012 Sodeyama D18/56
 D720,804 S * 1/2015 Van Den Broecke D18/56
 D741,402 S * 10/2015 Rooney D18/56
 D742,962 S * 11/2015 O'Reilly D18/56
 9,333,777 B2 * 5/2016 Block B41J 3/4075
 D783,714 S * 4/2017 Nanno D18/56
 D786,347 S * 5/2017 Okazaki D18/56
 D788,195 S * 5/2017 Liu D15/122

D791,230 S * 7/2017 Nakai D18/56
 D799,055 S * 10/2017 Kennedy D24/224
 D858,628 S * 9/2019 Guo D18/56
 D865,861 S * 11/2019 Nishihara D18/56
 D893,605 S * 8/2020 Guo D18/56
 2006/0233582 A1 * 10/2006 Horiuchi B41J 15/044
 400/208
 2015/0283837 A1 * 10/2015 Sakano B41J 32/02
 347/214
 2016/0031237 A1 * 2/2016 Nakayama B41J 15/044
 347/213
 2020/0207128 A1 * 7/2020 Ishimoto B41J 15/044

OTHER PUBLICATIONS

EPSON Label Cartridge, Label Type Indoor_Outdoor, no date
 available [online], [retrieved Jun. 4, 2021], Available from Internet,
 URL: https://www.grainger.com/product/45WA32?ef_id=EAAlaQobChMlvcCD1MD88AIVB46zCh0FPwi0EAQYASABEgKf2PD_BwE:G:s&s_kwid=AL!2966!3!496359977950!!!g!471328313928!&gclid=N:N:PS:Paid:GGL:CSM-2295:4P7A1P:20501231&gclid=EAAlaQobChMlvcCD1MD88AIVB46zCh0FPwi0EAQYASABEgKf2PD_BwE&gclid=aw.ds.*
 Compatible LK-5GBF Label Tape for Epson Printer, no date
 available [online], [retrieved Jun. 4, 2021], Available from Internet,
 URL: [https://www.inkbow.com/compatible-lk-5gbf-black-on-fluorescent-green-label-tape-for-epson-printer/.*](https://www.inkbow.com/compatible-lk-5gbf-black-on-fluorescent-green-label-tape-for-epson-printer/)

* cited by examiner

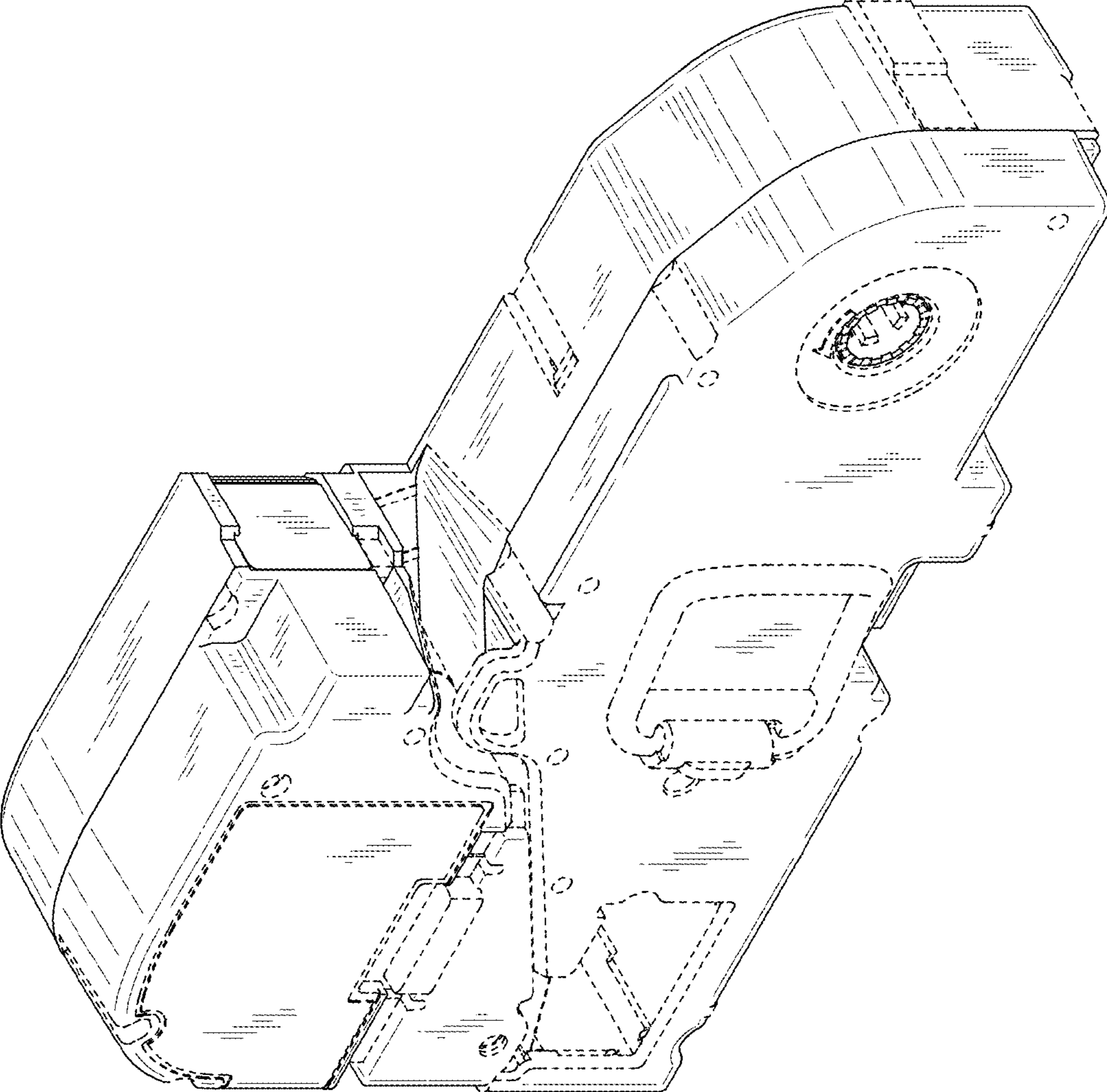


FIG.1

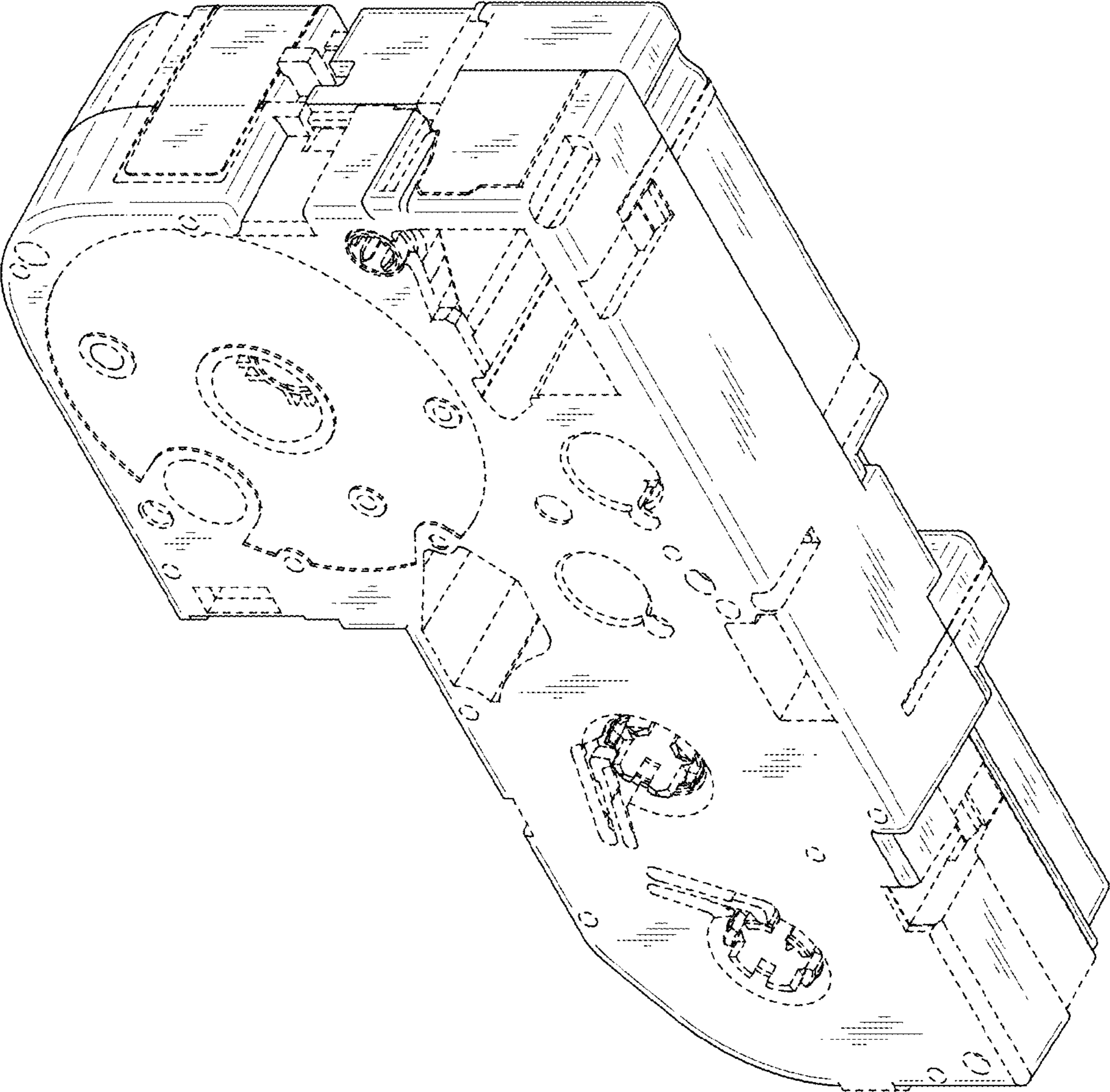


FIG.2

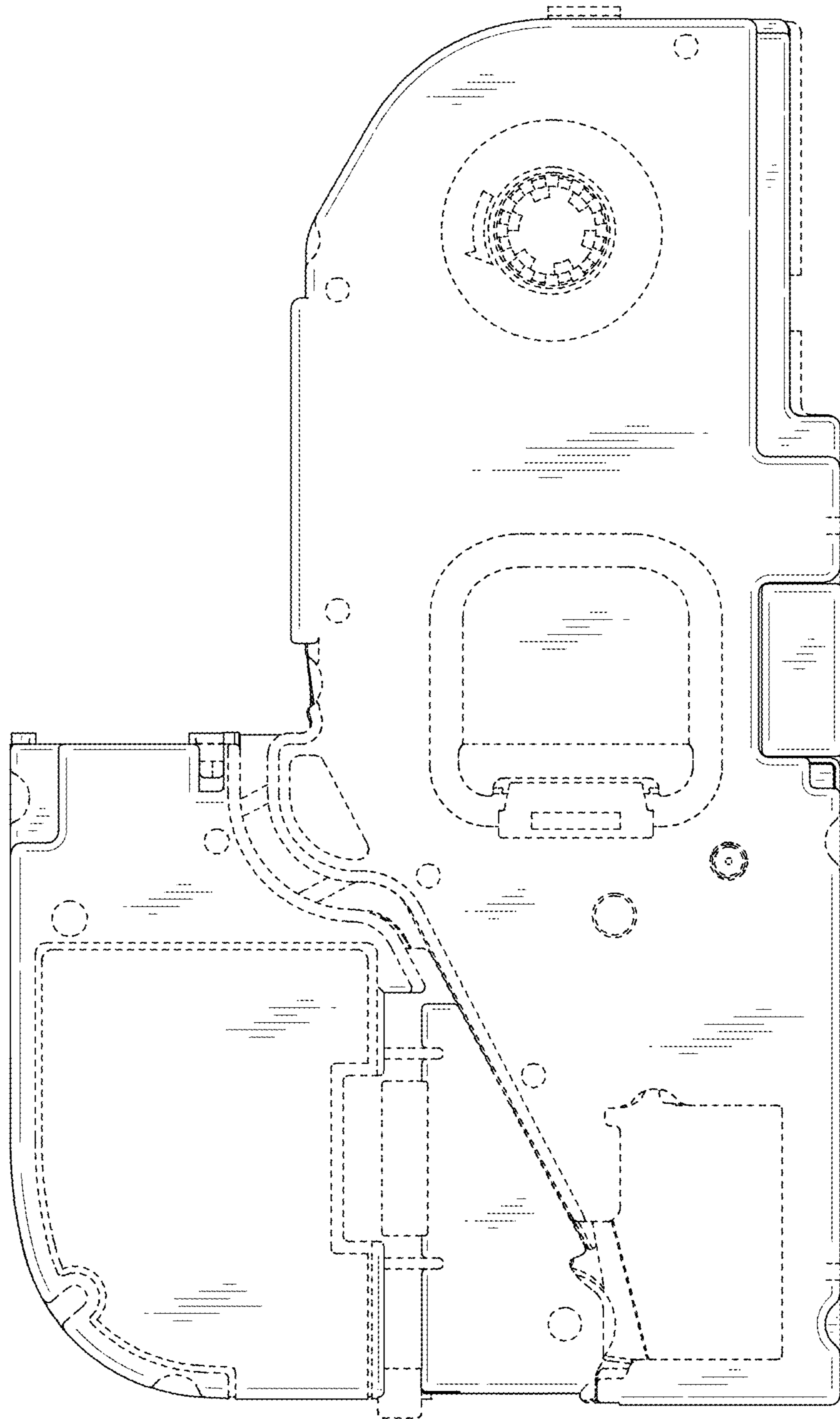


FIG.3

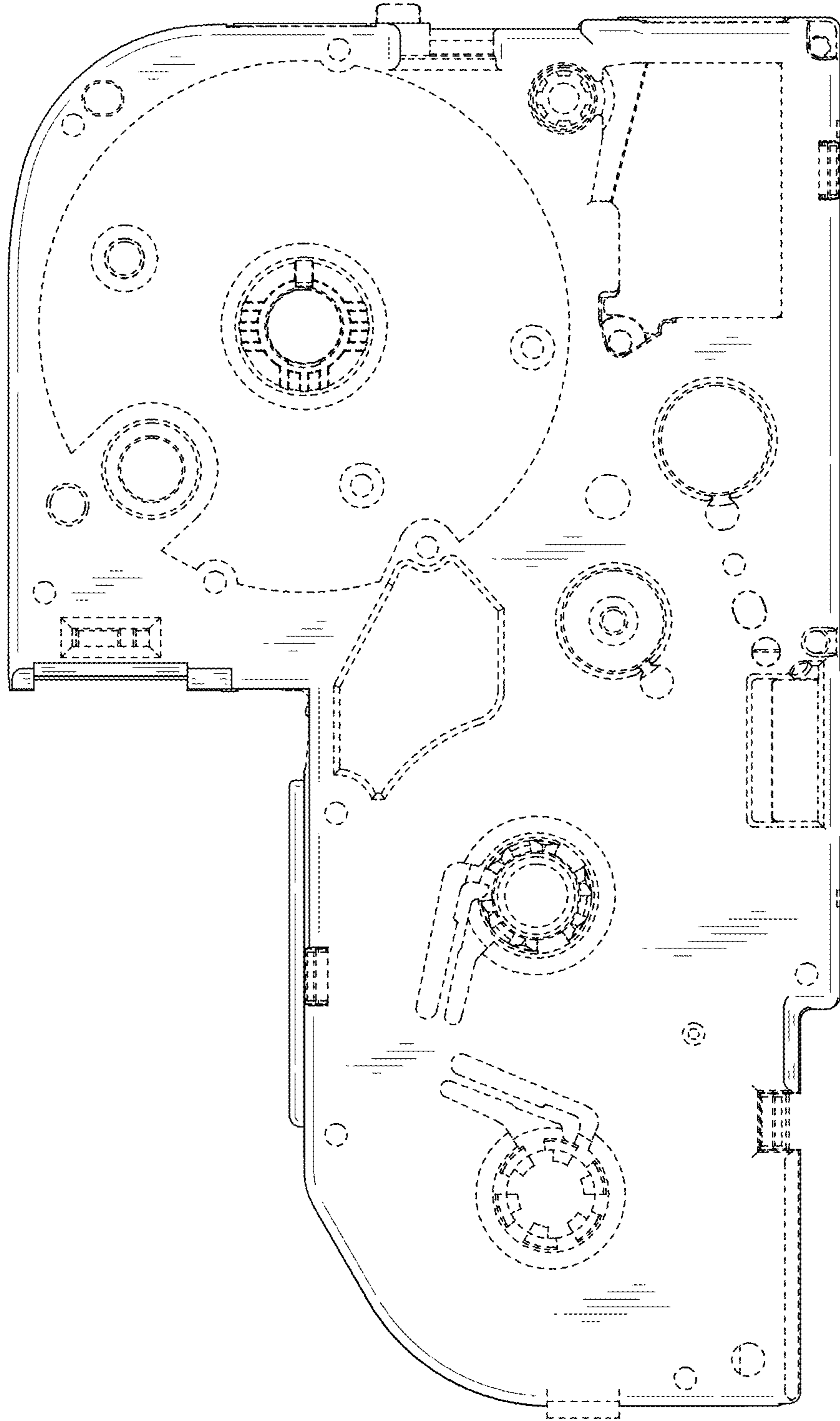


FIG.4

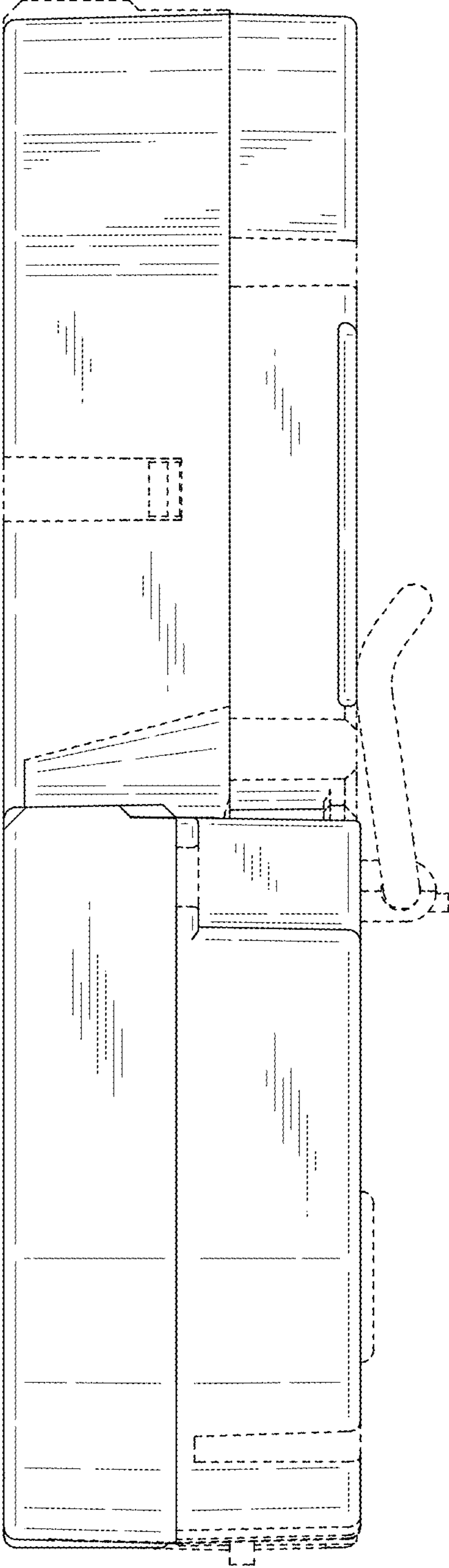


FIG.5

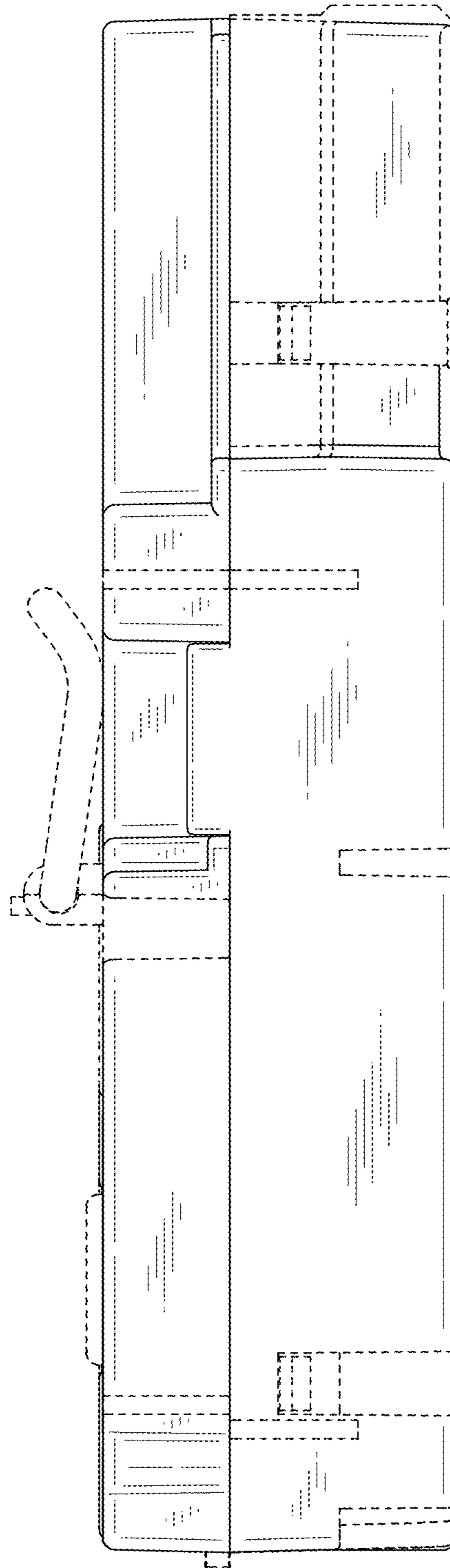


FIG.6

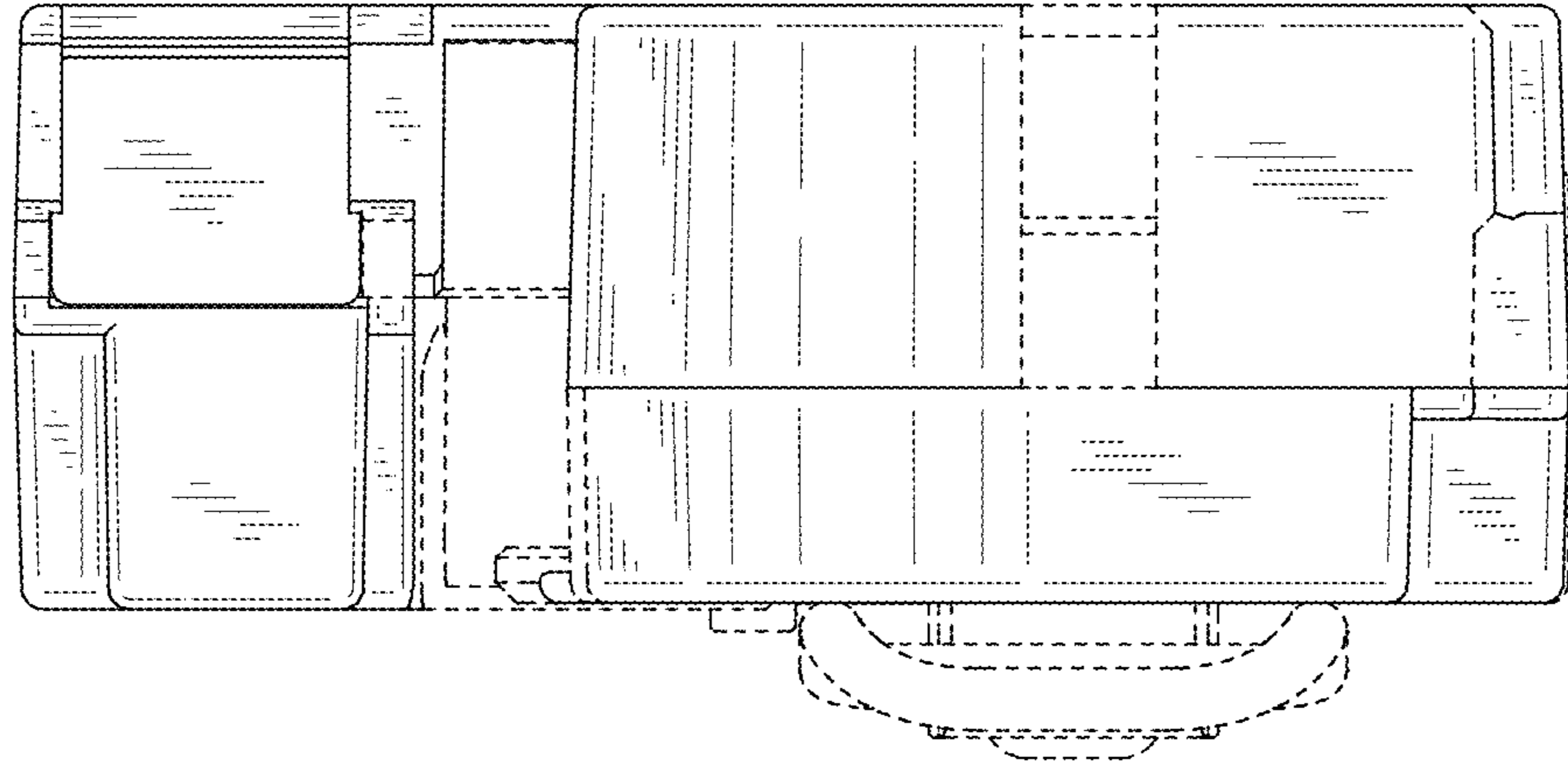


FIG.7

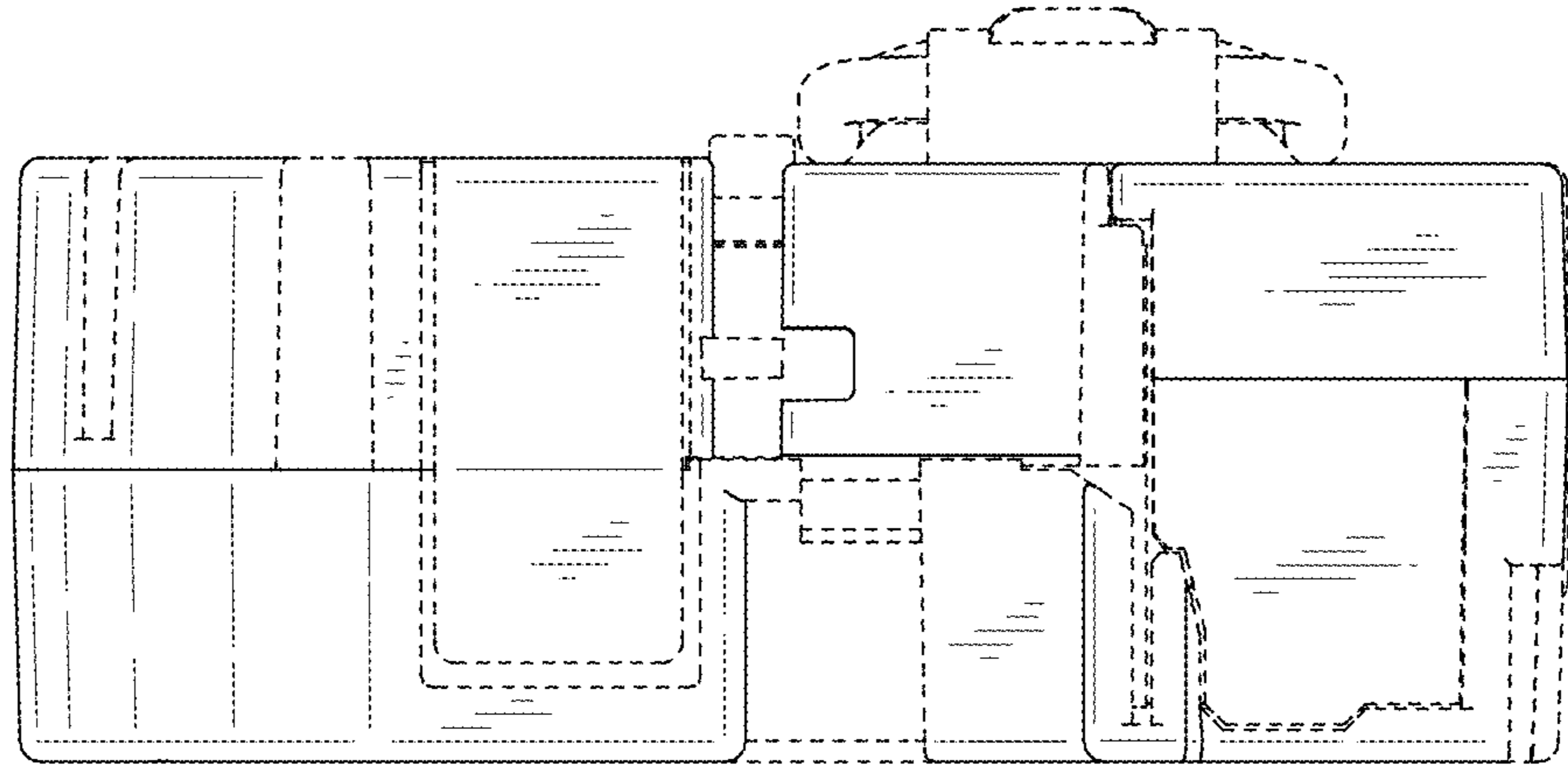


FIG.8