



US00D930064S

(12) **United States Design Patent** (10) **Patent No.:** **US D930,064 S**
Deyue (45) **Date of Patent:** **** Sep. 7, 2021**

(54) **SKI GOGGLES**
(71) Applicant: **Guangzhou Xunqi Glasses Co., Ltd.**,
Guangzhou (CN)
(72) Inventor: **Gu Deyue**, Suzhou (CN)

D761,344 S 7/2016 Chen
D765,758 S * 9/2016 Li D16/312
D765,759 S * 9/2016 Li D16/312
D777,826 S * 1/2017 Shin D16/312
D784,441 S * 4/2017 Garfias D16/312
D821,485 S 6/2018 Yoo et al.
D834,087 S * 11/2018 Yoo D16/313

(**) Term: **15 Years**

(Continued)

(21) Appl. No.: **29/752,366**

FOREIGN PATENT DOCUMENTS

(22) Filed: **Sep. 27, 2020**

CN 305292226 * 8/2019
CN 306237014 * 12/2020
EM 02514372-0004 * 8/2014

(51) **LOC (13) Cl.** **16-06**

(52) **U.S. Cl.**
USPC **D16/312**

OTHER PUBLICATIONS

(58) **Field of Classification Search**
USPC D16/101, 300-342; D29/109-110;
351/41, 44, 45-48, 51-52, 62, 158, 92,
351/103-123, 140-153, 63, 59; 2/6.3,
2/6.4, 6.5, 8.2, 15, 426, 431, 436
CPC ... A63B 33/00; A63B 33/002; A63B 2244/19;
G02C 5/22; G02C 5/2218; G02C 5/2236;
G02C 5/2245; G02C 5/2254; G02C
5/2272; G02C 5/16; G02C 5/14; G02C
5/146; G02C 5/008; G02C 2200/00;
G02C 2200/02; G02C 2200/04; G02C
2200/06; G02C 2200/08; G02C 5/02;
G02C 5/04; G02C 5/143; G02C 5/20
See application file for complete search history.

Google search: "ski goggles" [site visited Jul. 17, 2021]: https://www.google.com/search?q=ski+goggles&sxsrf=ALeKk01ktAMlktVlsEoDsQsvjKKVRhZORw:1626575062285&source=lnms&tbm=isch&sa=X&ved=2ahUKEwj3pqamyOvxAhVIGVkfFHQTuCawQ_AUoAnoECAIQBA&biw=1920&bih=937 (Year: 2021).*

(Continued)

Primary Examiner — Sanjeev Paul
(74) *Attorney, Agent, or Firm* — Rumit Ranjit Kanakia

(57) **CLAIM**

I claim the ornamental design for a ski goggles, as shown and described.

DESCRIPTION

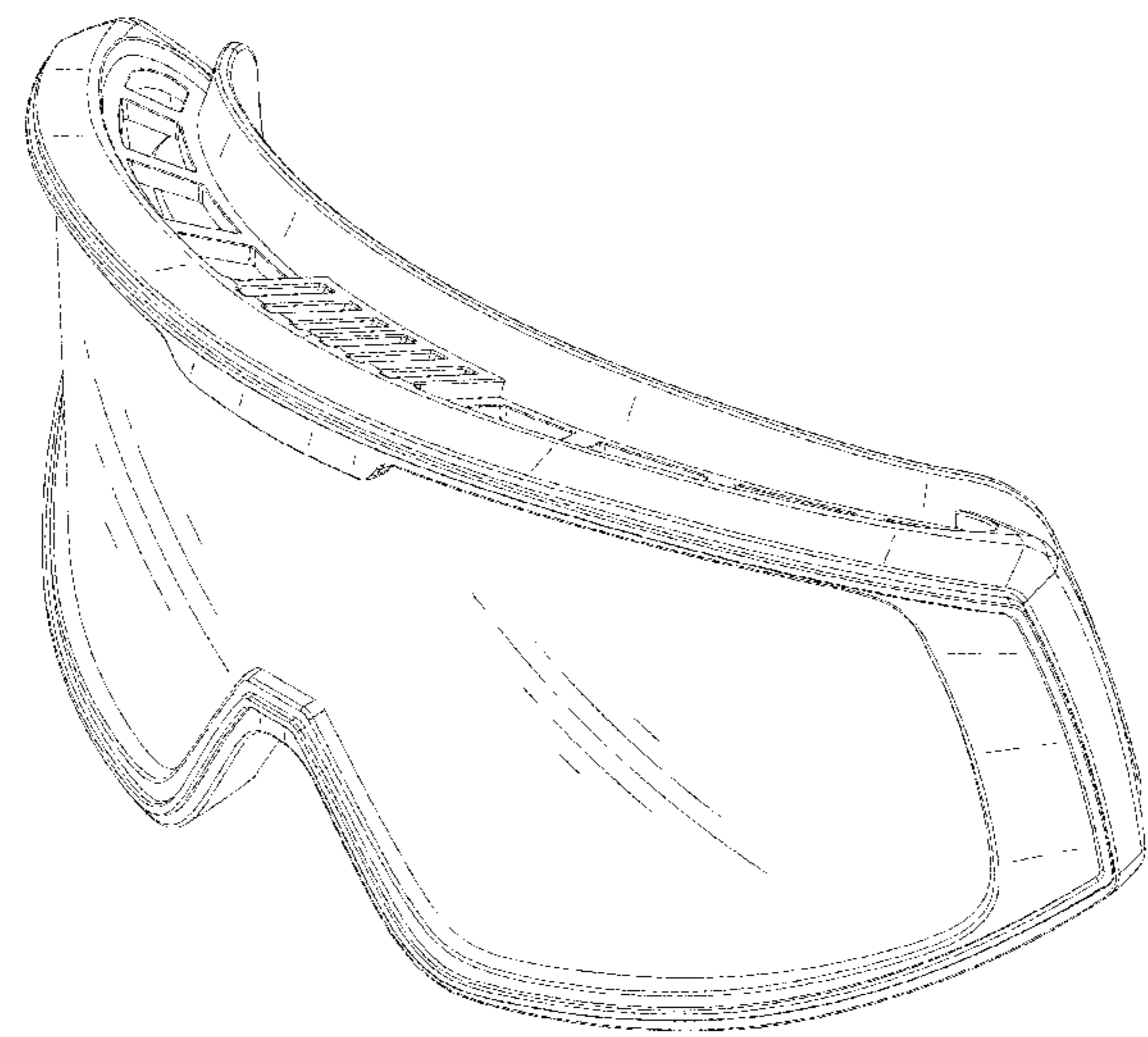
(56) **References Cited**

U.S. PATENT DOCUMENTS

D375,320 S * 11/1996 Canavan D16/312
D577,054 S * 9/2008 Moritz D16/312
D578,562 S * 10/2008 Moritz D16/312
D626,166 S 10/2010 Yang
D640,724 S * 6/2011 Goodman D16/312
D649,178 S * 11/2011 Moritz D16/312
D687,479 S * 8/2013 Moritz D16/312
D695,335 S * 12/2013 Goodman D16/312
D714,378 S 9/2014 Sandor
D725,175 S 3/2015 Wang-Lee
D756,445 S * 5/2016 Blanchard D16/312

FIG. 1 is a Perspective view of a ski goggles showing my new design;
FIG. 2 is a Front view thereof;
FIG. 3 is a Back view thereof;
FIG. 4 is a Right-side view thereof;
FIG. 5 is a Left-side view thereof;
FIG. 6 is a Top view thereof; and,
FIG. 7 is a Bottom view thereof.
The broken lines are for the purpose of illustrating portions of the article that form no part of the claim.

1 Claim, 7 Drawing Sheets



(56)

References Cited

U.S. PATENT DOCUMENTS

D837,873 S * 1/2019 Lussier D16/330
D847,248 S * 4/2019 Liang D16/313
D864,285 S * 10/2019 Liang D16/313
D872,168 S 1/2020 Zhang
D880,574 S * 4/2020 Liang D16/312
D892,913 S * 8/2020 Lindauer D16/313
D898,812 S * 10/2020 Liang D16/312
D899,501 S * 10/2020 Liang D16/312
D901,580 S * 11/2020 Zhang D16/313
D903,749 S * 12/2020 Li D16/314
D906,407 S * 12/2020 Kim D16/312
D909,457 S * 2/2021 Liang D16/312
D909,459 S * 2/2021 Liang D16/314
D919,696 S * 5/2021 Dong D16/312
D922,472 S * 6/2021 Liang D16/313

OTHER PUBLICATIONS

Google search: "snow goggles" [site visited Jul. 17, 2021]: https://www.google.com/search?q=snow+goggles&sxsrf=ALeKk00DdHA5gTKAKsgbUXjmy0HNFeAfTA:1626575201435&source=lnms&tbm=isch&sa=X&ved=2ahUKEwiYmtPoyOvxAhUwMlkFHWr2Ao0Q_AUoAnoECBAQBA&biw=1200&bih=1777 (Year: 2021).*

Google search: "Guangzhou Xunqi Glasses Co., Ltd." [site visited Jul. 17, 2021]: https://www.google.com/search?q=Guangzhou+Xunqi+Glasses&sxsrf=ALeKk03JyjrsglFBQQ6Kz2QQyc6grxlyA:1626575335781&source=lnms&tbm=isch&sa=X&ved=2ahUKEwiHdqoyevxAhXBUjUKHeKRAC8Q_AUoAnoECBQQBA&biw=1200&bih=1777 (Year: 2021).*

* cited by examiner

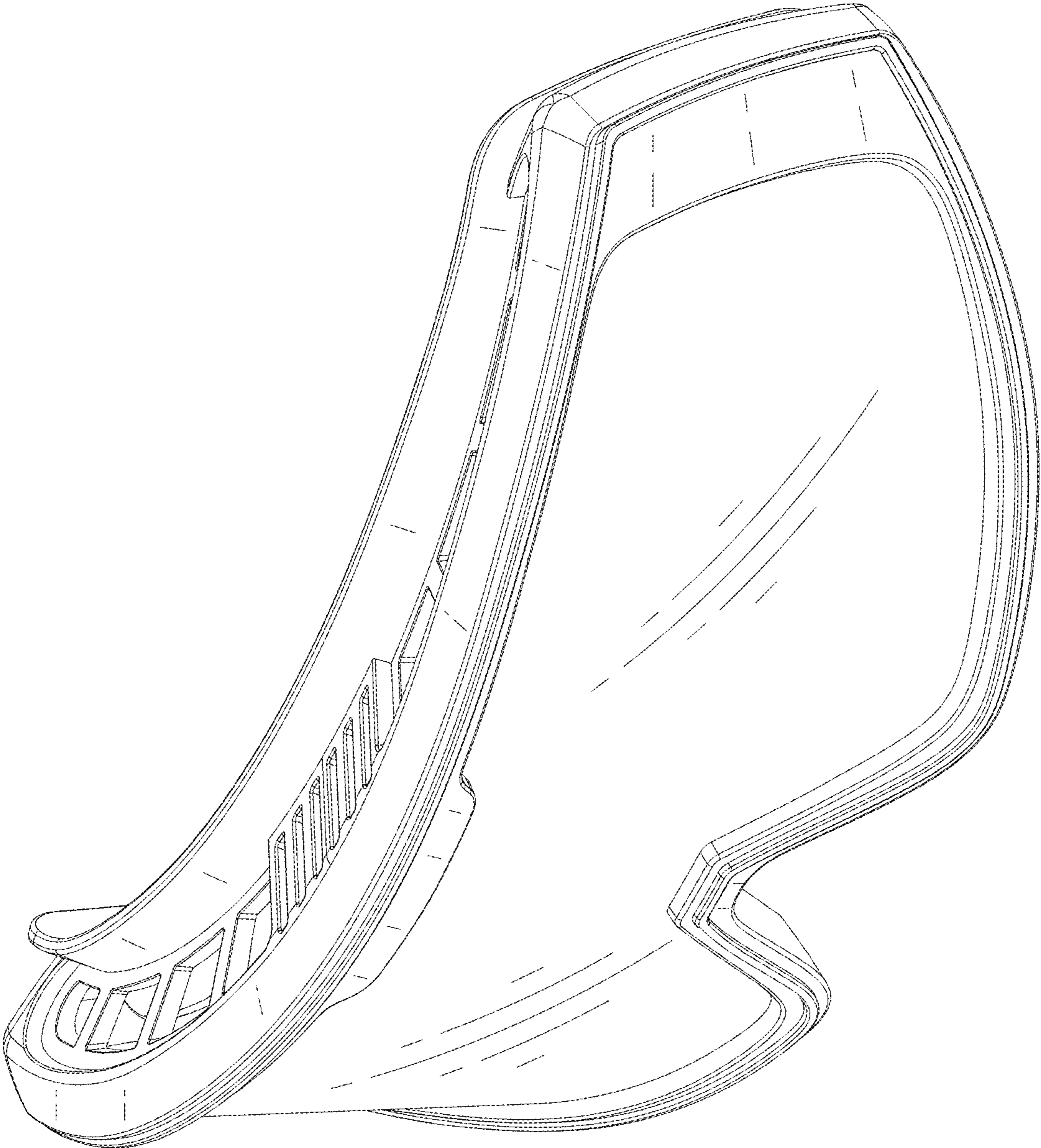


FIG. 1

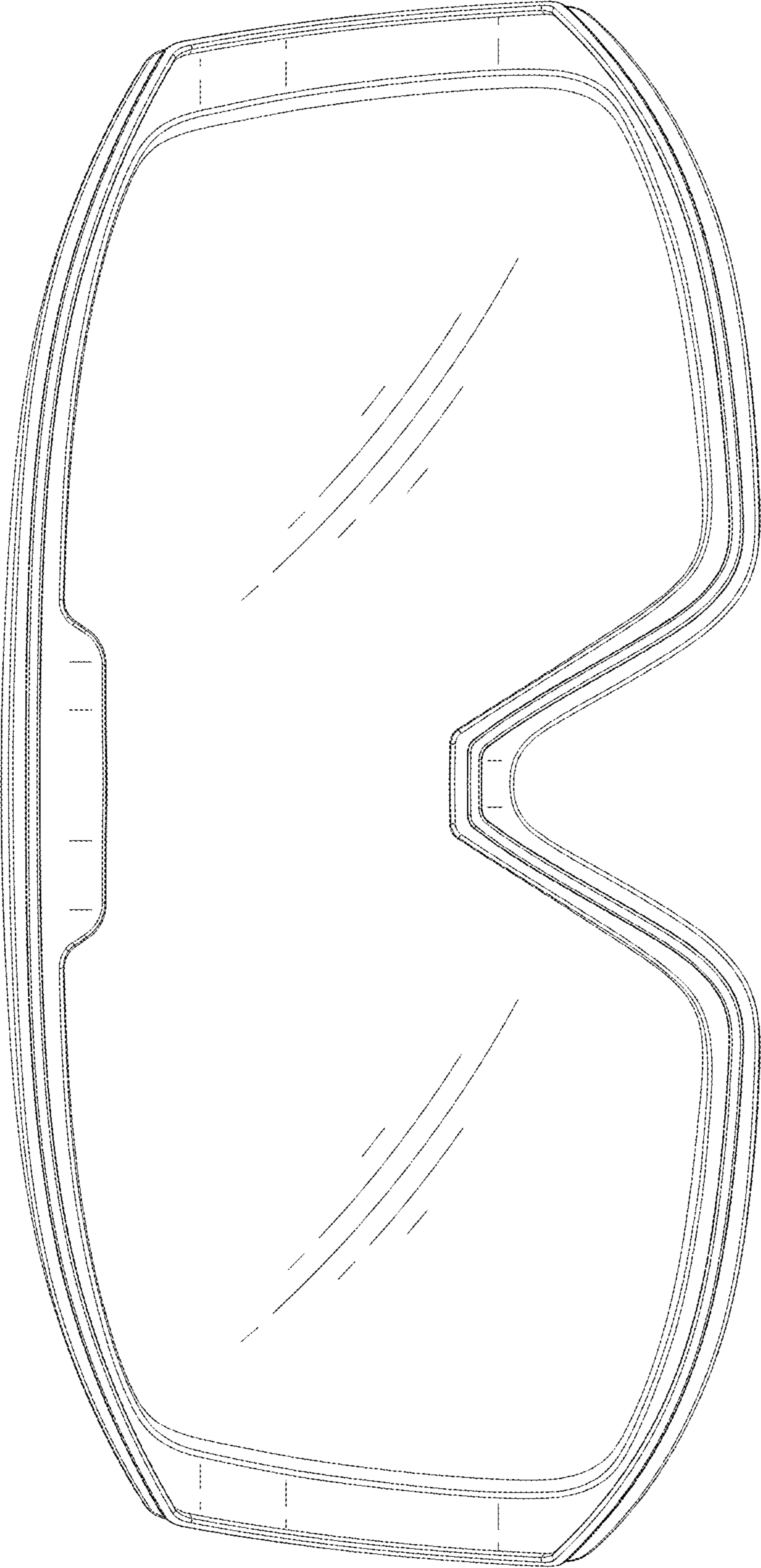


FIG. 2

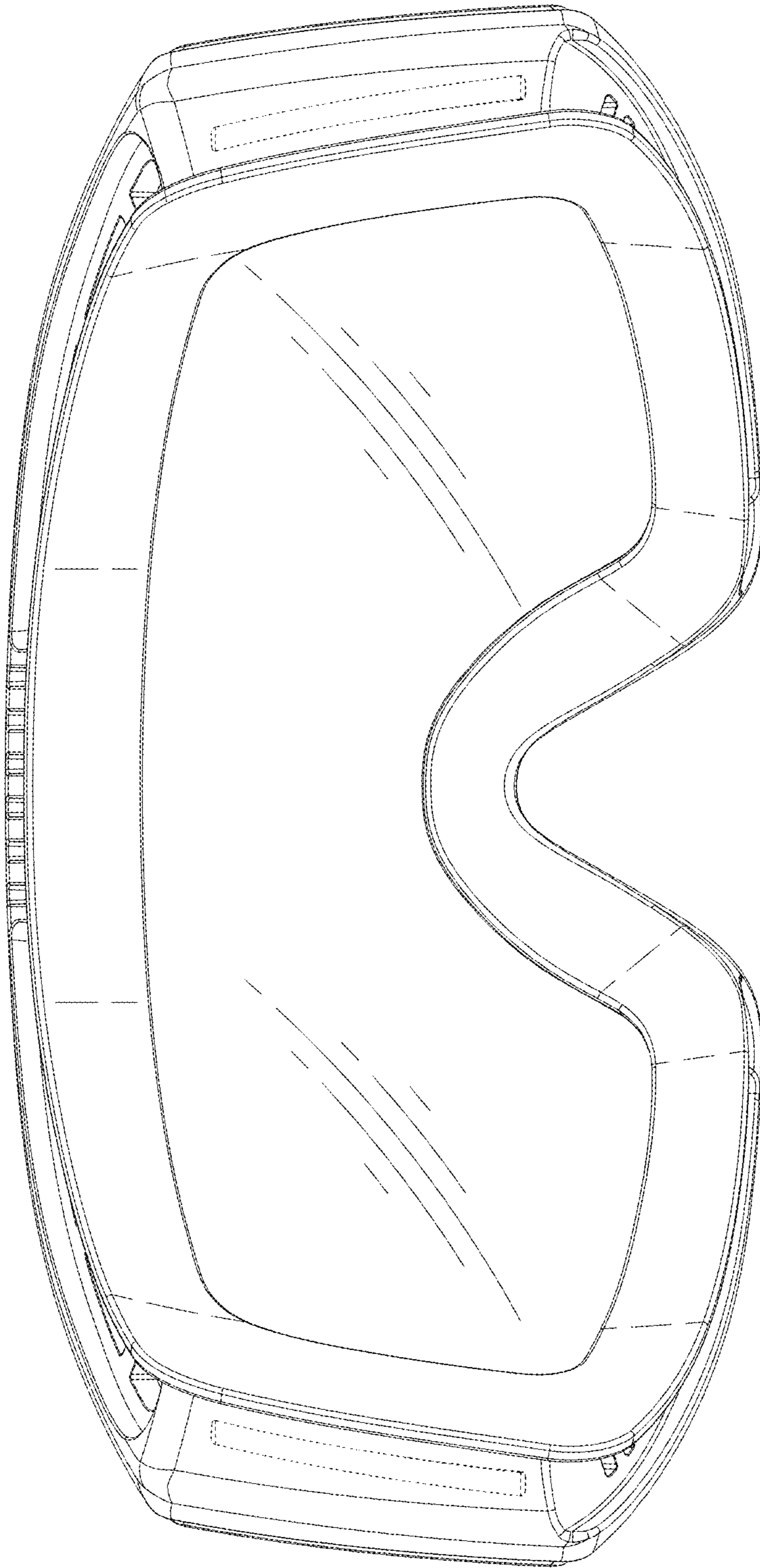


FIG. 3

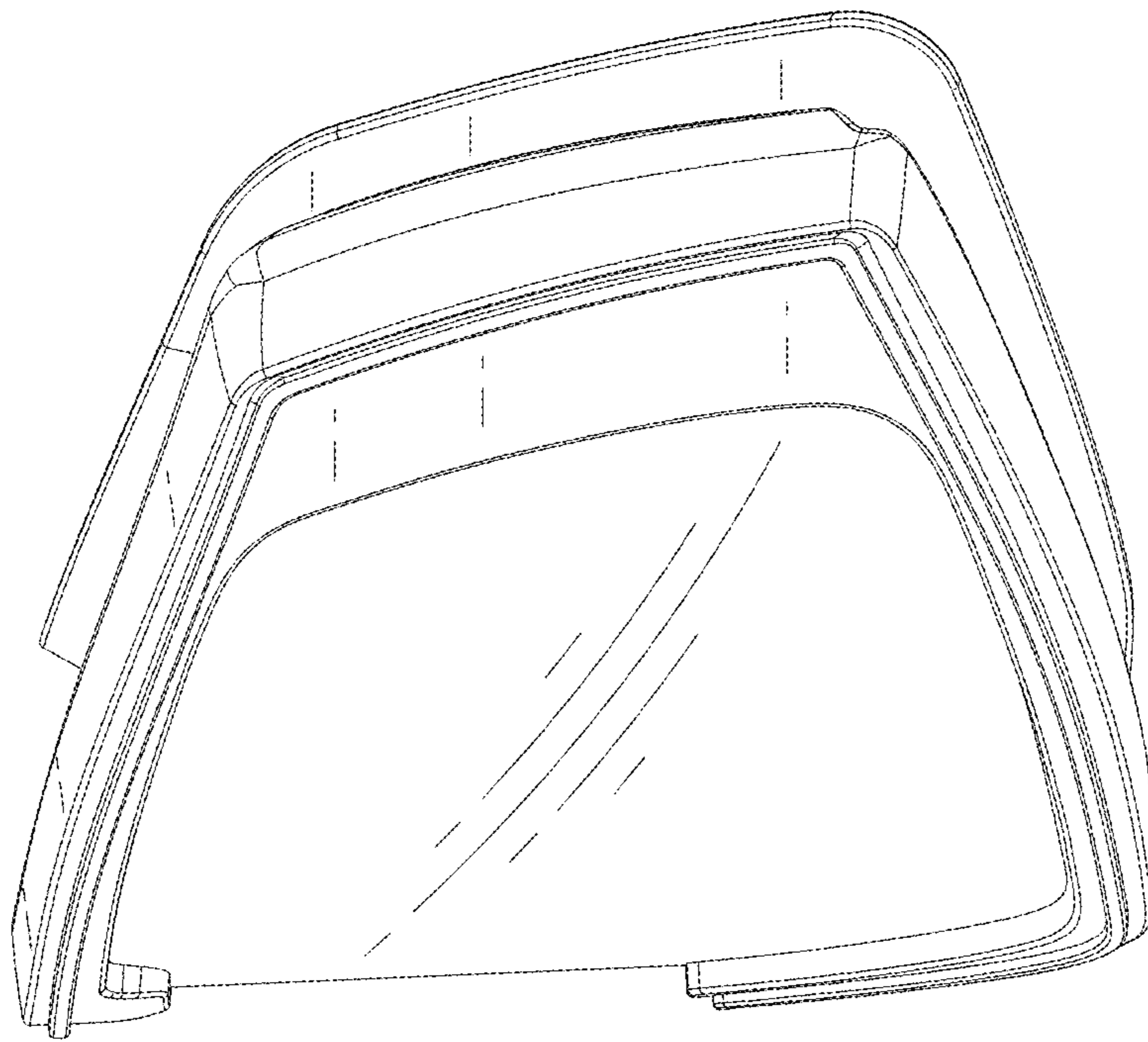


FIG. 4

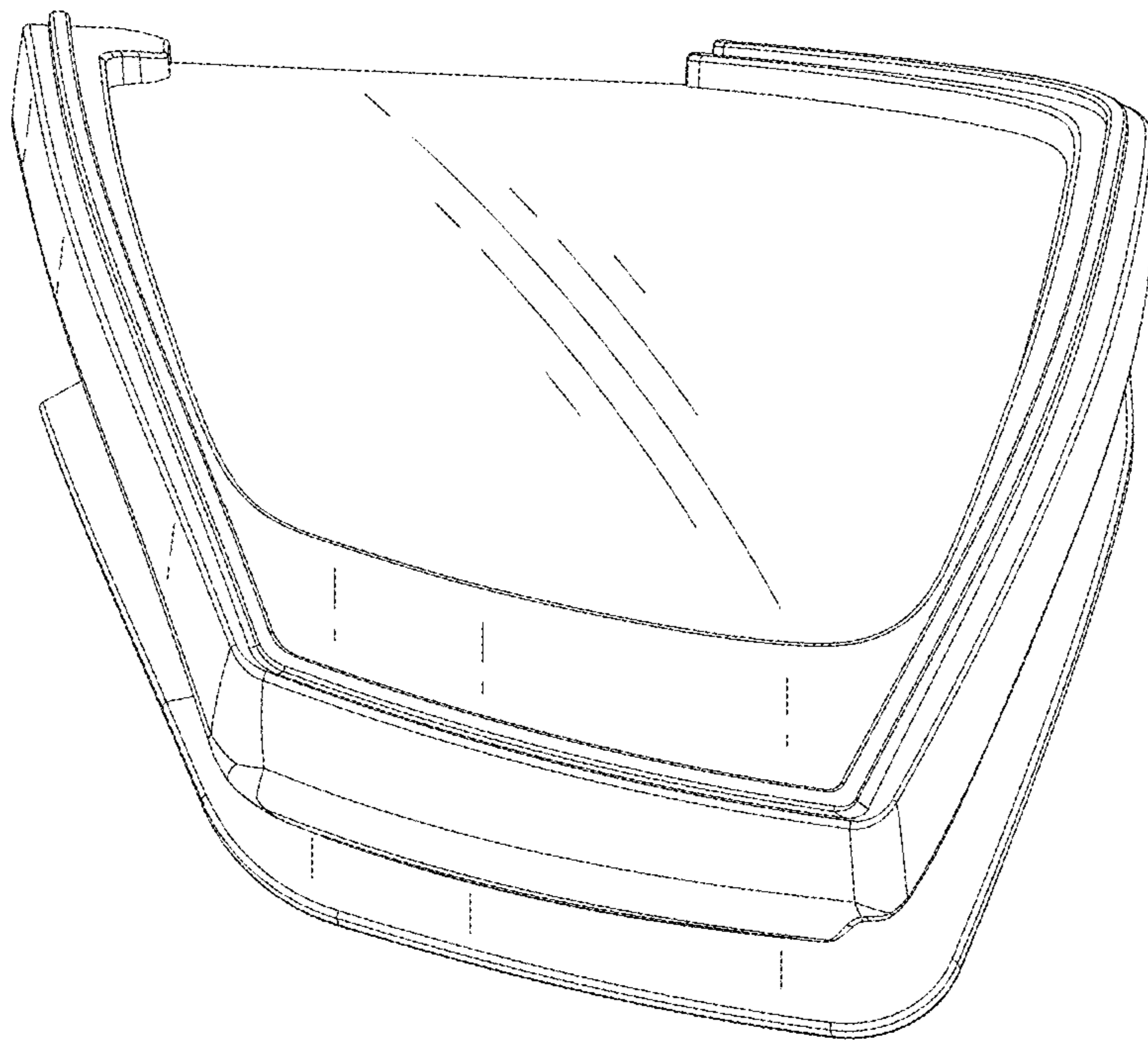


FIG. 5

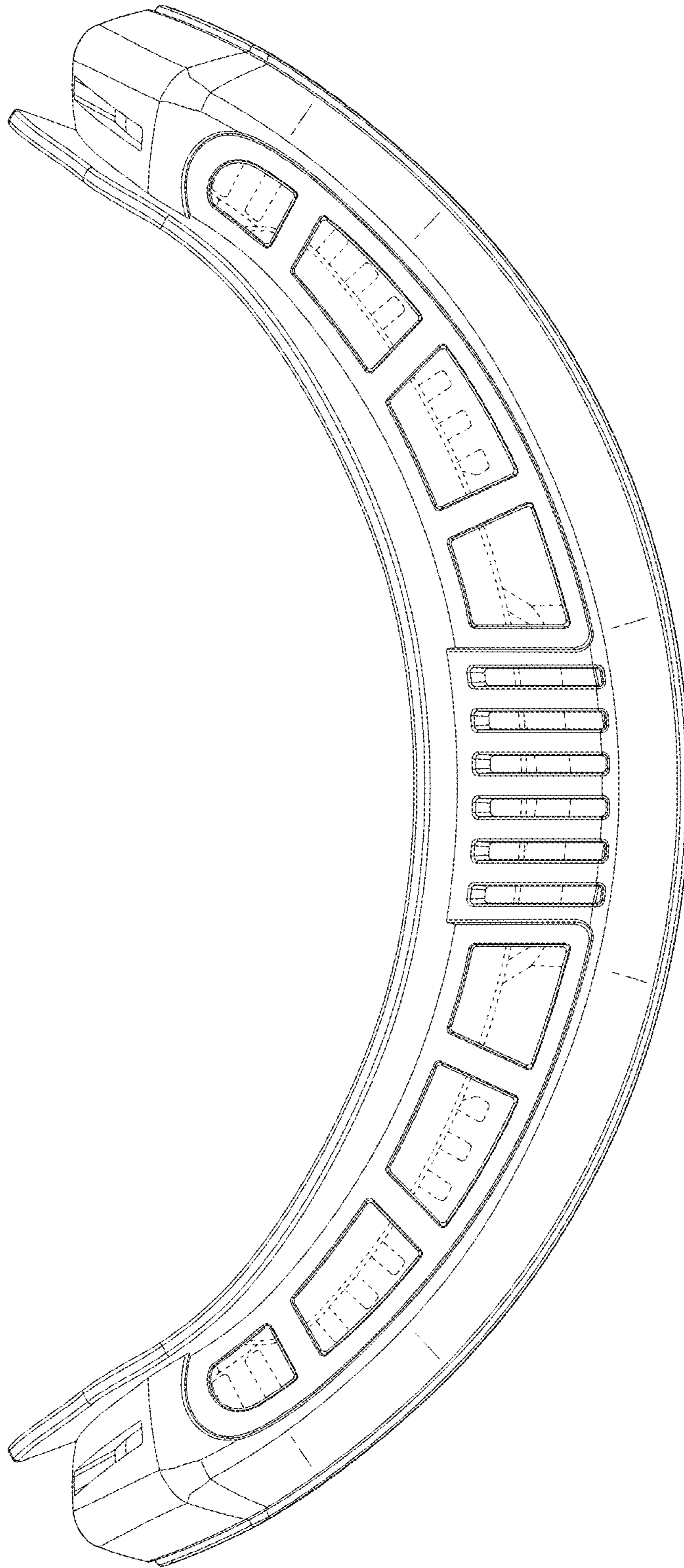


FIG. 6

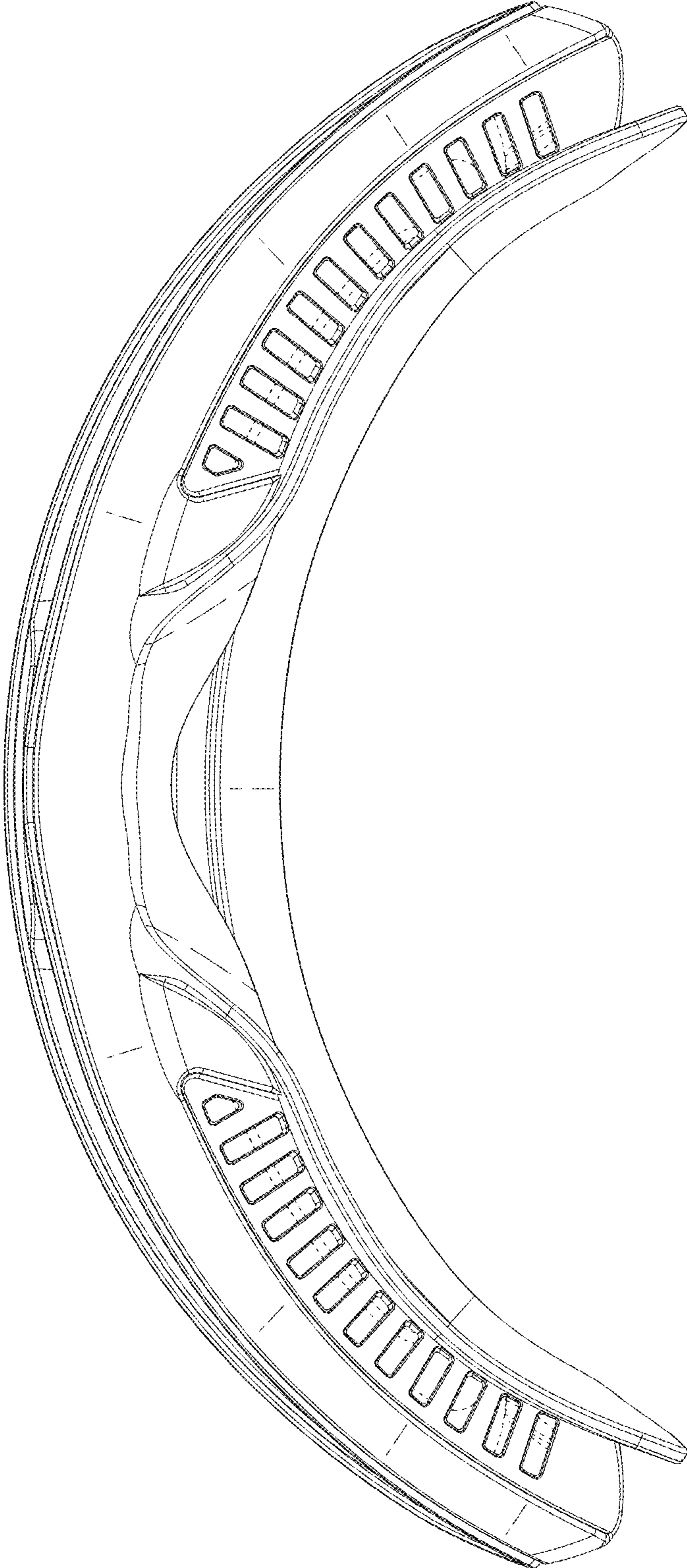


FIG. 7