

US00D930063S

(12) **United States Design Patent**  
**Li et al.**

(10) **Patent No.:** **US D930,063 S**  
(45) **Date of Patent:** **\*\* Sep. 7, 2021**

(54) **TRIPOD**  
(71) Applicant: **GUANGDONG SIRUI OPTICAL CO., LTD.,** Zhongshan (CN)  
(72) Inventors: **Jie Li,** Zhongshan (CN); **Qijun Nie,** Zhongshan (CN); **Hang Chen,** Zhongshan (CN)  
(73) Assignee: **GUANGDONG SIRUI OPTICAL CO., LTD.,** Zhongshan (CN)  
(\*\*) Term: **15 Years**

D807,421 S \* 1/2018 Yin ..... D16/244  
D860,299 S \* 9/2019 Li ..... D16/244  
2007/0090237 A1\* 4/2007 Hsu ..... F16M 11/16  
248/178.1  
2007/0152115 A1\* 7/2007 Chou ..... F16M 11/242  
248/181.1  
2008/0224000 A1\* 9/2008 Yang ..... G03B 17/561  
248/188.5  
2009/0250567 A1\* 10/2009 Raynaud ..... F16M 11/16  
248/168  
2010/0019109 A1\* 1/2010 Liu ..... F16M 11/046  
248/168  
2011/0260016 A1\* 10/2011 Johnson ..... F16M 11/16  
248/168  
2015/0338017 A1\* 11/2015 De Faveri ..... F16M 11/16  
396/428

(21) Appl. No.: **29/697,293**

(Continued)

(22) Filed: **Jul. 7, 2019**

**OTHER PUBLICATIONS**

(30) **Foreign Application Priority Data**

Jan. 25, 2019 (CN) ..... 201930044234.X

A Series—SIRUI Optical Co. [online] Published on Aug. 15, 2019. Retrieved Oct. 20, 2020 from URL: <https://www.sirui.com/index/photographic/a.html>.\*

(51) **LOC (13) Cl.** ..... **16-05**

(Continued)

(52) **U.S. Cl.**  
USPC ..... **D16/244**

*Primary Examiner* — Vy N Koenig  
(74) *Attorney, Agent, or Firm* — Loeb & Loeb LLP

(58) **Field of Classification Search**  
USPC ..... D16/219, 237–250; D8/354, 355, 363, D8/373, 382–383, 394–396; D14/224, D14/229, 238, 251, 253, 447, 451, 457  
CPC ..... A45F 5/00; A45F 5/10; A45F 2200/0508–0533; F16M 11/06–10; F16M 11/14; G03B 17/56; G03B 17/561–566; H04N 5/2253–2254; G02B 7/00–002  
See application file for complete search history.

(57) **CLAIM**  
The ornamental design for a tripod, as shown and described.

**DESCRIPTION**

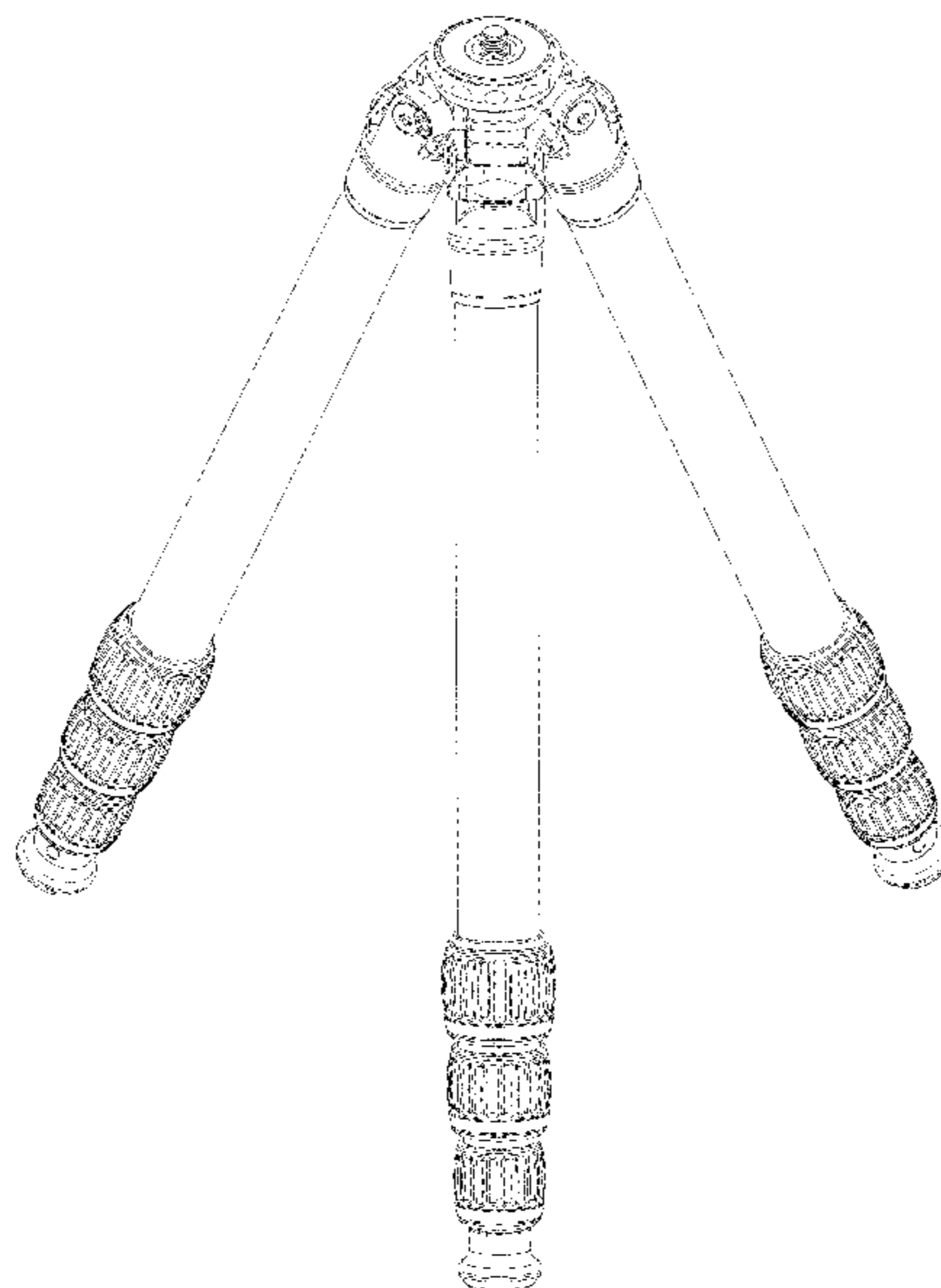
(56) **References Cited**

**U.S. PATENT DOCUMENTS**

6,983,916 B2 \* 1/2006 Raynaud ..... F16M 11/046  
248/163.2  
D607,037 S \* 12/2009 Lee ..... D16/244  
9,383,632 B2 \* 7/2016 Spegginorin ..... F16M 11/242

FIG. 1 is a perspective view of a tripod showing our new design;  
FIG. 2 is a front view thereof;  
FIG. 3 is a rear view thereof;  
FIG. 4 is a right side view thereof;  
FIG. 5 is a left side view thereof;  
FIG. 6 is a bottom view thereof; and,  
FIG. 7 is a top view thereof.

**1 Claim, 7 Drawing Sheets**



(56)

**References Cited**

U.S. PATENT DOCUMENTS

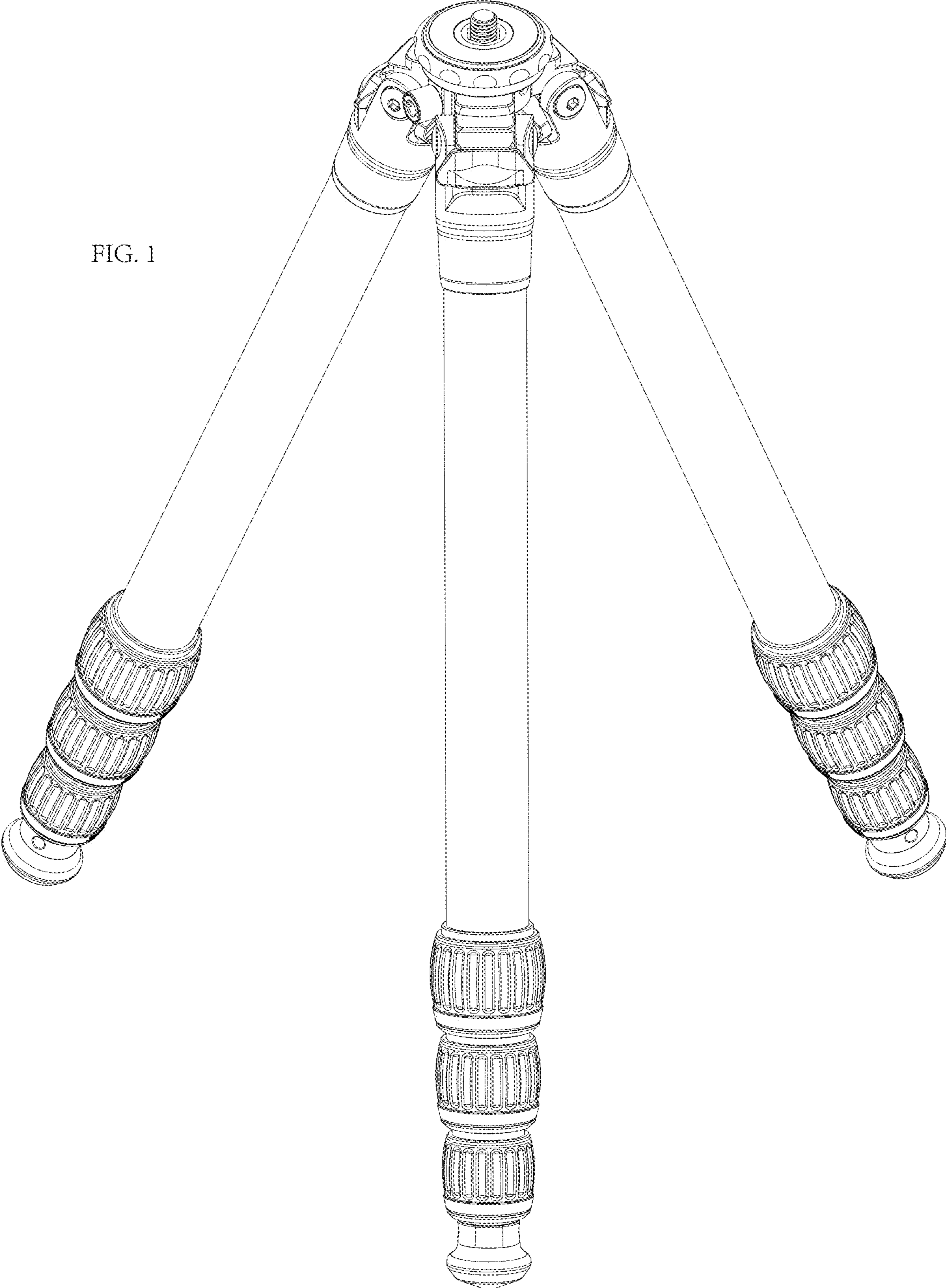
2019/0003635 A1\* 1/2019 Li ..... F16M 11/245  
2020/0292124 A1\* 9/2020 Li ..... F16M 11/16

OTHER PUBLICATIONS

Midwest Photo Induro Carbon 8X Tripod CT-213, [online] Retrieved  
Oct. 20, 2020 from URL:[https://mpex.com/induro-carbon-8x-tripod-  
ct-213.html](https://mpex.com/induro-carbon-8x-tripod-ct-213.html).\*

\* cited by examiner

FIG. 1



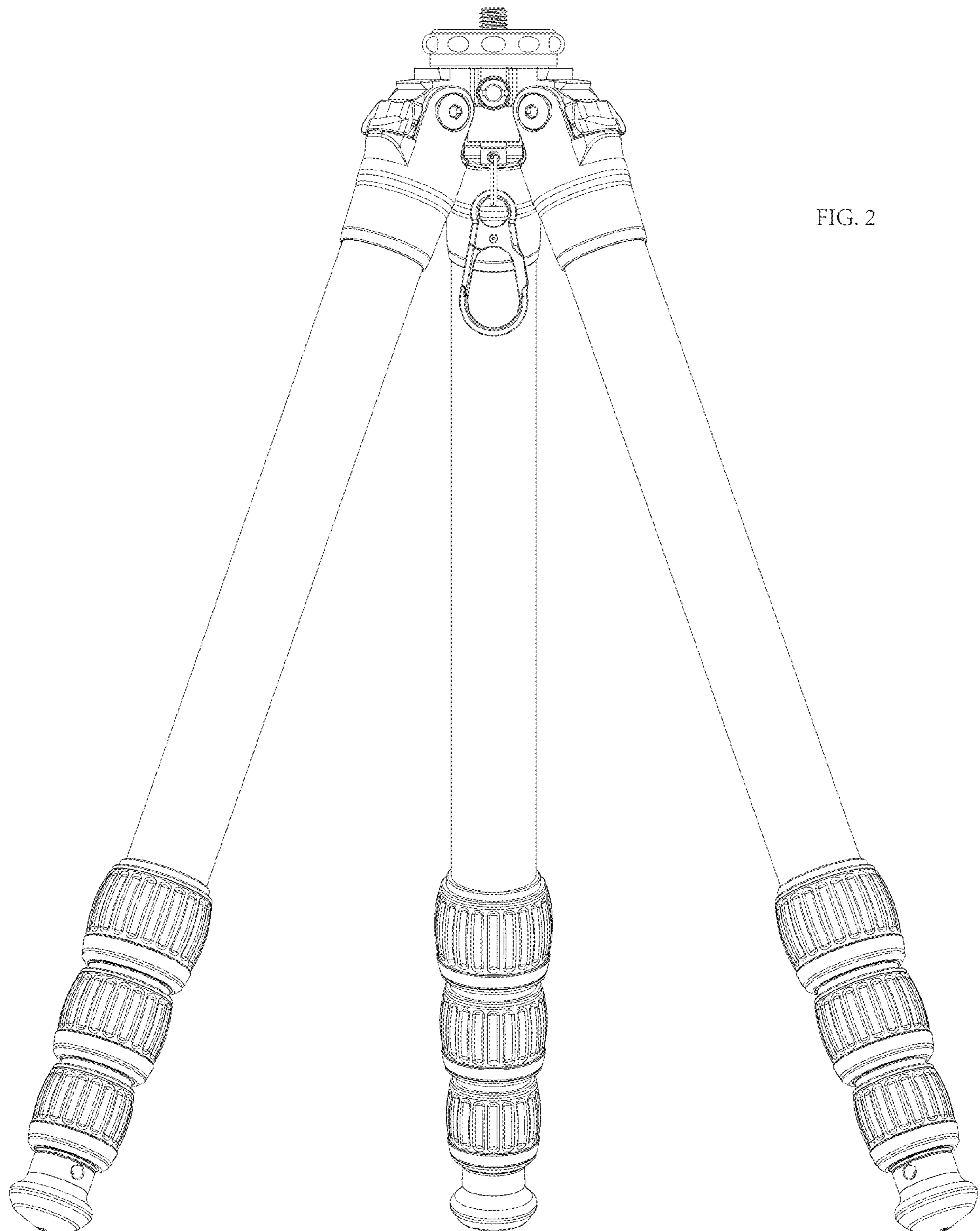
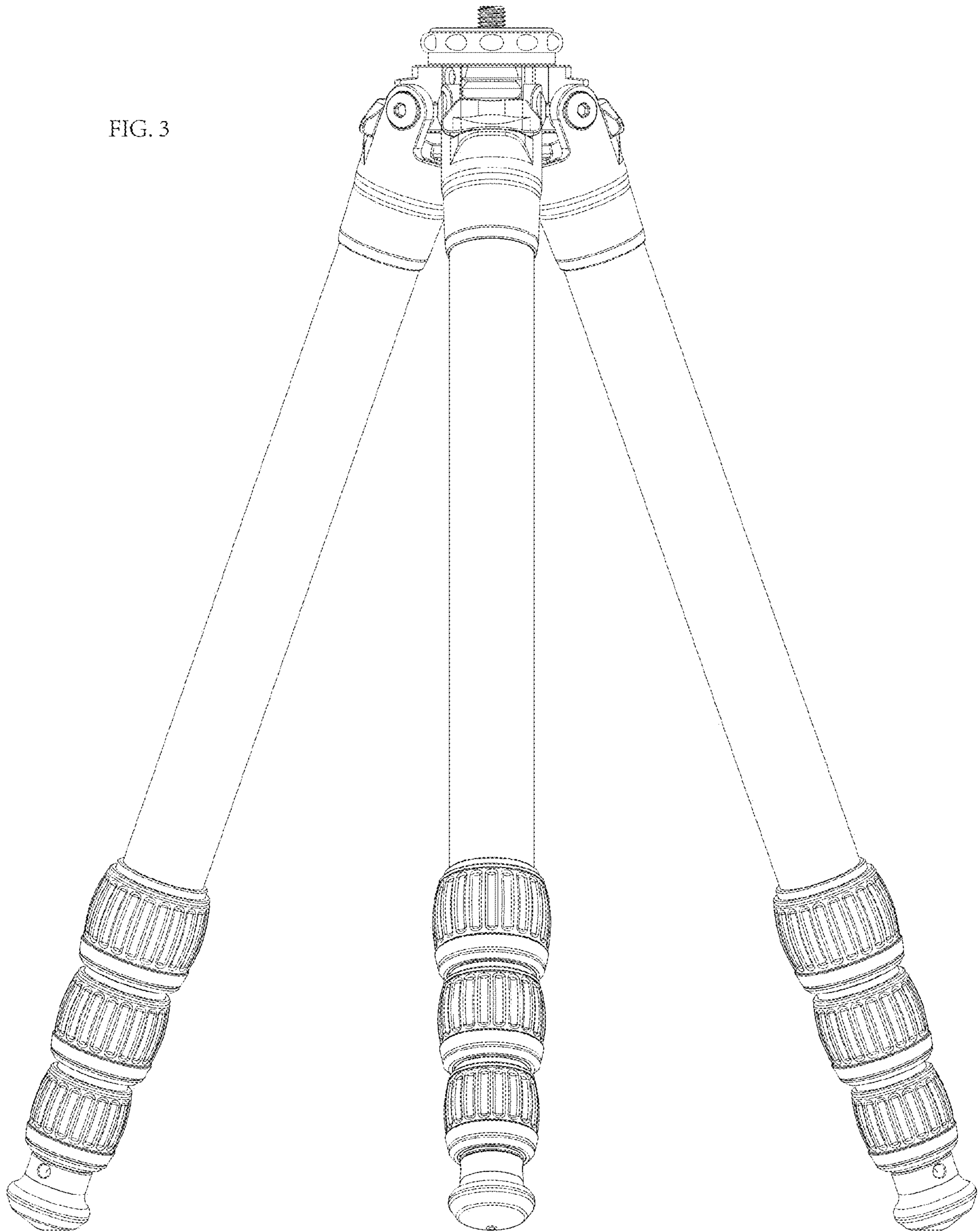


FIG. 2

FIG. 3



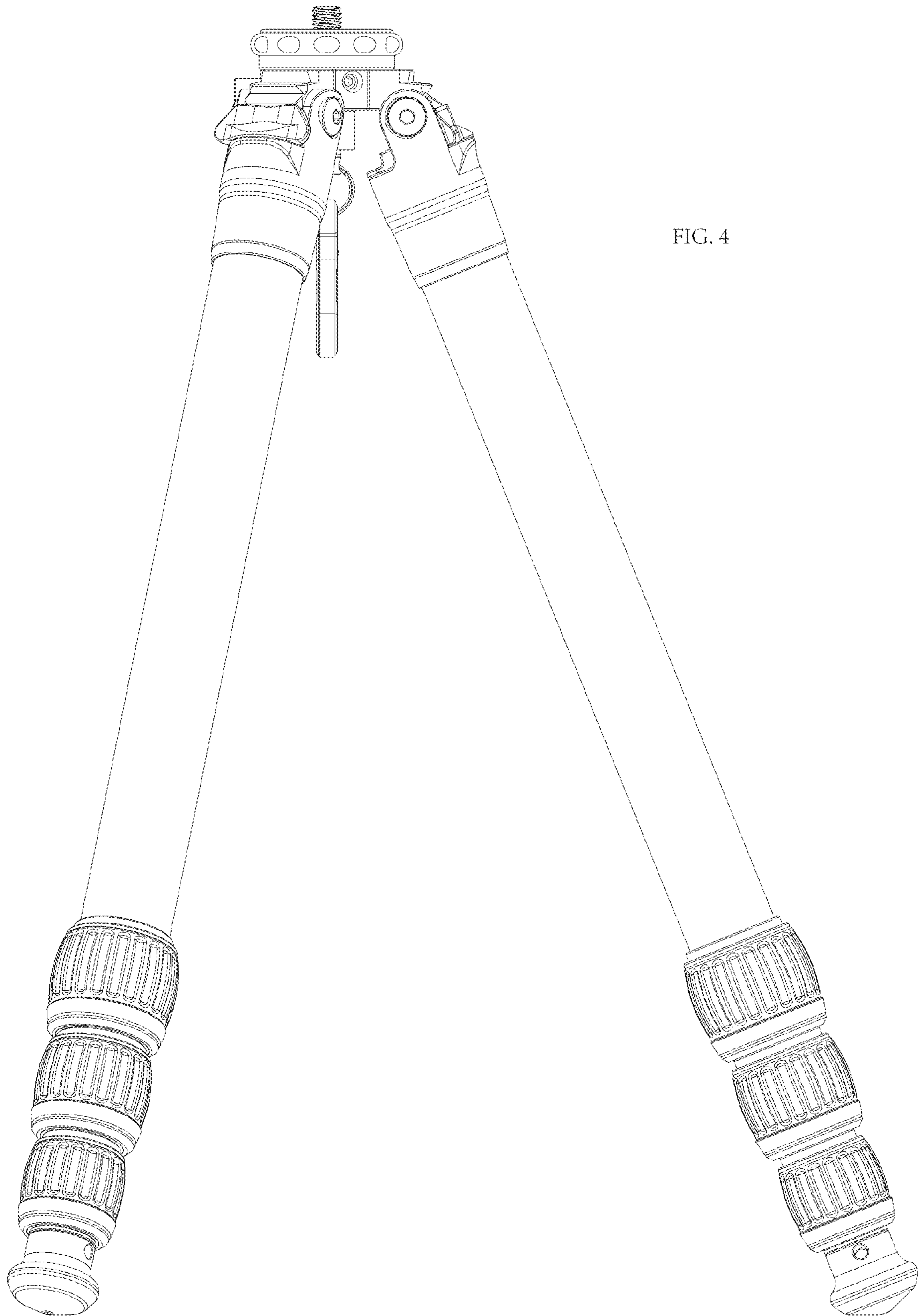


FIG. 4

FIG. 5

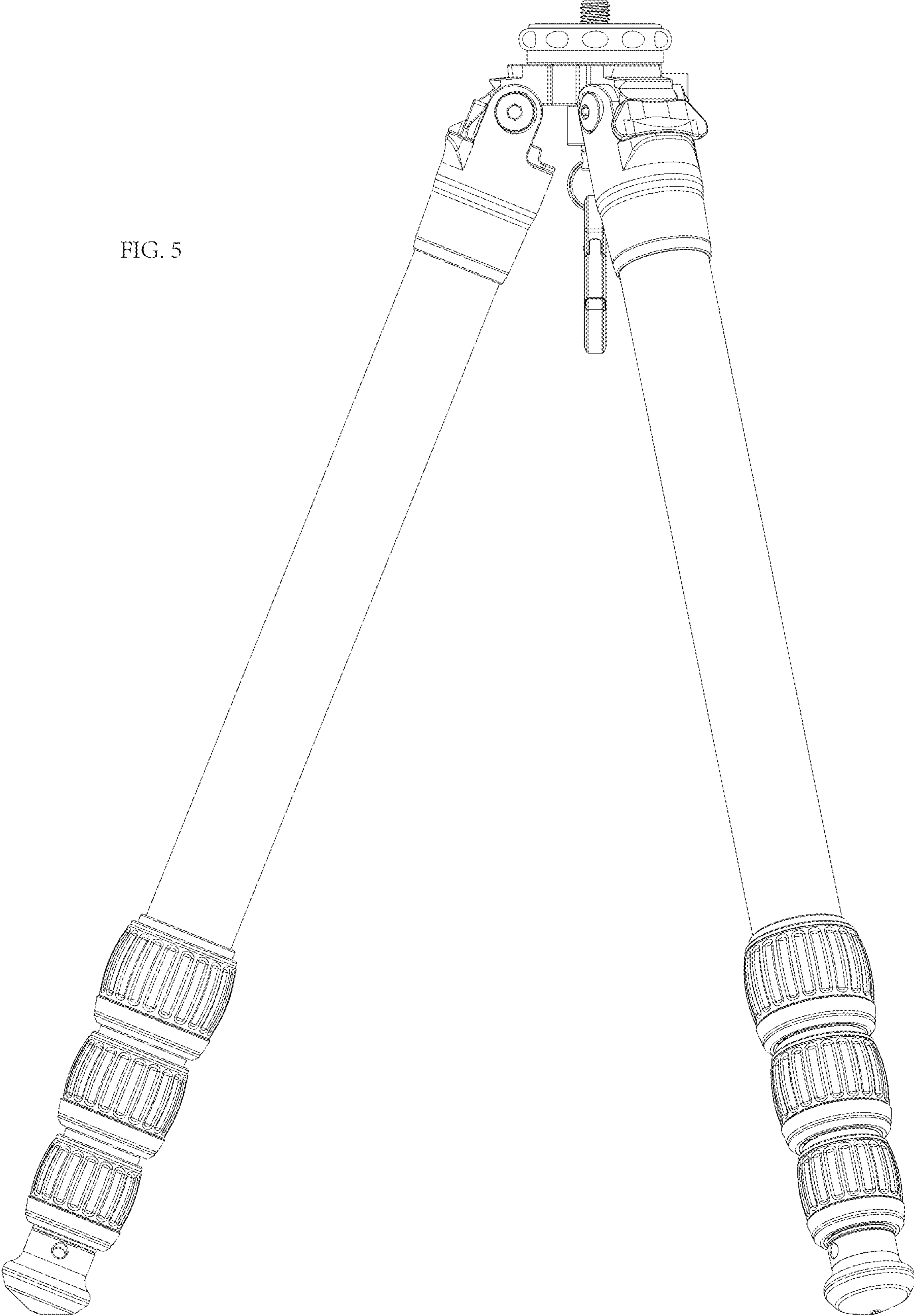


FIG. 6

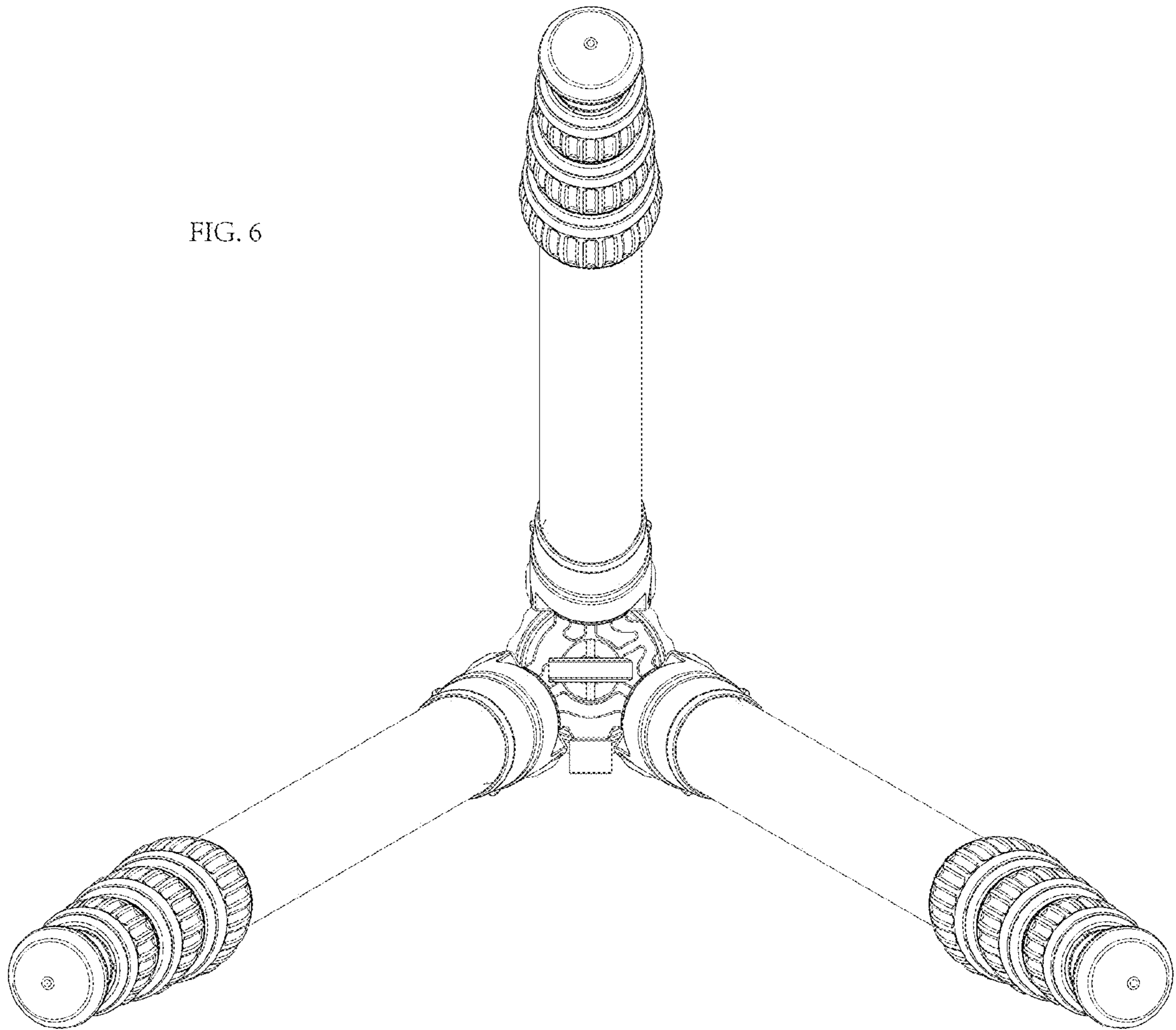




FIG. 7

