



US00D930062S

(12) **United States Design Patent**  
**Abel et al.**

(10) **Patent No.:** **US D930,062 S**  
(45) **Date of Patent:** **\*\* Sep. 7, 2021**

(54) **CAMERA**

(71) Applicant: **The Chamberlain Group, Inc.**, Oak Brook, IL (US)

(72) Inventors: **Jeremy Abel**, West Dundee, IL (US);  
**Corey Jevon Norman**, Oak Park, IL (US)

(73) Assignee: **The Chamberlain Group, Inc.**, Oak Brook, IL (US)

(\*\*) Term: **15 Years**

(21) Appl. No.: **29/770,549**

(22) Filed: **Feb. 12, 2021**

**Related U.S. Application Data**

(62) Division of application No. 29/707,052, filed on Sep. 25, 2019, now Pat. No. Des. 914,076.

(51) **LOC (13) Cl.** ..... **16-05**

(52) **U.S. Cl.**  
USPC ..... **D16/219; D16/202**

(58) **Field of Classification Search**  
USPC ..... D16/200, 202–206, 218, 219, 242;  
348/143, 148, 151, 373–376; 396/419,  
396/427, 535, 539–541  
CPC ..... G03B 17/02; G03B 19/04; G03B 17/56;  
G03B 17/04; G03B 15/03; H04N 5/2251;  
H04N 5/2252; H04N 5/2253; H04N  
5/2254; H04N 7/181; H04N 7/183; H04N  
7/18; G08B 13/1963; G08B 13/19619;  
G08B 13/19632; F16M 11/04; F16M  
13/00

See application file for complete search history.

(56) **References Cited**

**U.S. PATENT DOCUMENTS**

D193,590 S 9/1962 Dreyfuss  
D396,869 S 8/1998 Yamakawa  
D405,424 S 2/1999 Winkler

D413,867 S 9/1999 Mullet  
D435,835 S 1/2001 Steck  
6,377,173 B1 4/2002 Desai  
D465,504 S 11/2002 Van Klinken  
6,525,645 B2 2/2003 King  
D474,221 S 5/2003 Cheng  
D477,342 S 7/2003 Yeh

(Continued)

**FOREIGN PATENT DOCUMENTS**

CN 300871034 1/2009  
CN 300971035 1/2009  
CN 302123178 10/2012

**OTHER PUBLICATIONS**

Zmodo 720P HD Mini WiFi Smart Security Camera, published Dec. 10, 2015 (online), retrieved Jul. 3, 2019, <https://www.walmart.com/ip/Zmodo-720P-HD-Mini-WiFi-Smart-Security-Camera-Two-Way-Audio-Night-Vision/47368752>, 13 pp.

*Primary Examiner* — Ramzi Almatrahi

(74) *Attorney, Agent, or Firm* — Fitch, Even, Tabin & Flannery, LLP

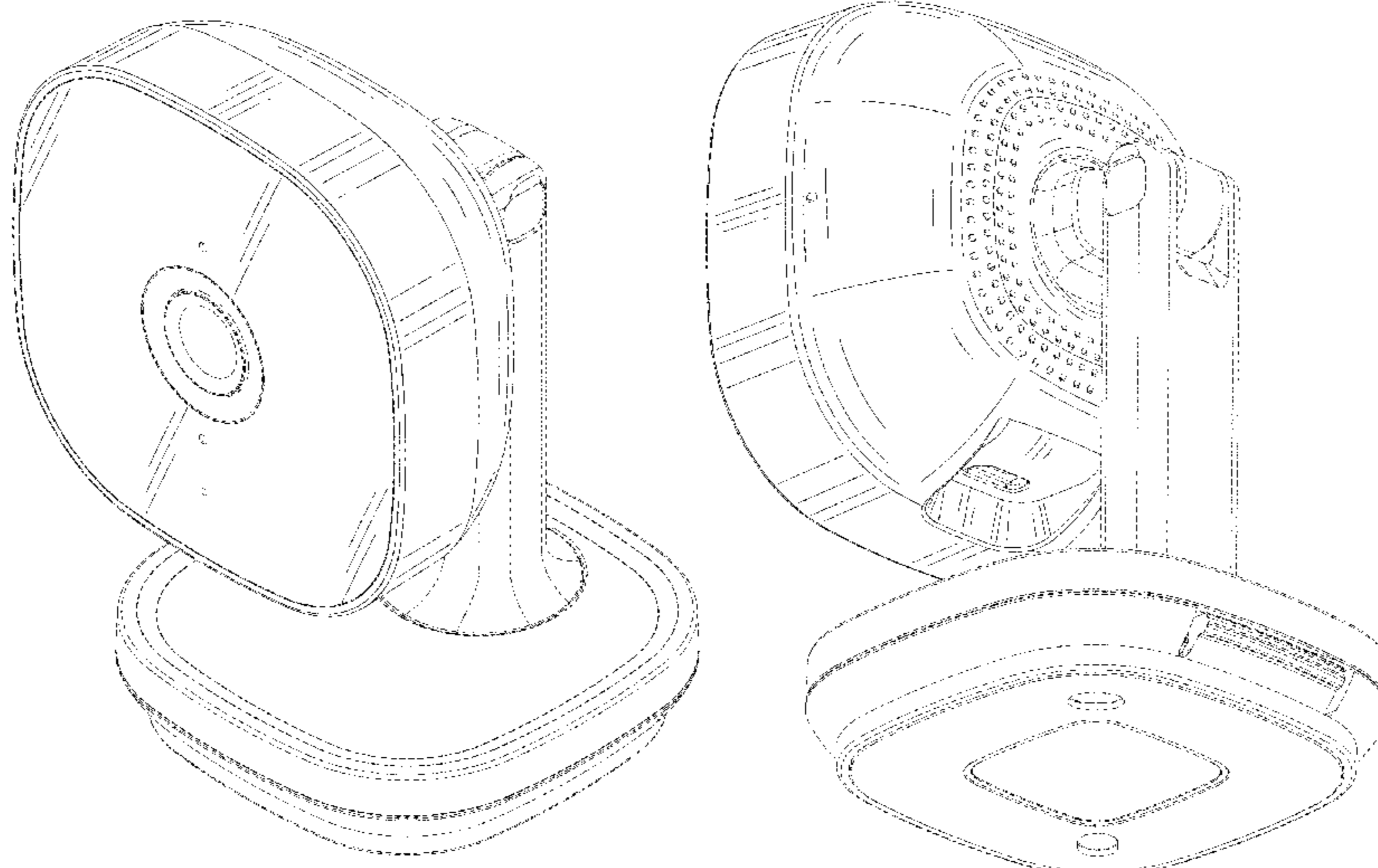
(57) **CLAIM**

We claim the ornamental design for a camera, as shown and described.

**DESCRIPTION**

FIG. 1 is a front perspective view of a camera in accordance with our new design;  
FIG. 2 is a rear perspective view thereof;  
FIG. 3 is a front elevation view thereof;  
FIG. 4 is a rear elevation view thereof;  
FIG. 5 is a left side elevation view thereof;  
FIG. 6 is a right side elevation view thereof;  
FIG. 7 is a top plan view thereof; and,  
FIG. 8 is a bottom plan view thereof.  
The broken lines in the drawings depict portions of the camera that form no part of the claimed design.

**1 Claim, 8 Drawing Sheets**



(56)

References Cited

U.S. PATENT DOCUMENTS

D478,605 S	8/2003	Guzman	D746,889 S	1/2016	Moon
D480,741 S	10/2003	Berger	D747,384 S	1/2016	Scalisi
D490,380 S	5/2004	Coullahan	D747,756 S	1/2016	Scalisi
D494,144 S	8/2004	Guzman	D748,709 S	2/2016	Jeong
D495,303 S	8/2004	Coullahan	D751,515 S	3/2016	Paredes
D496,674 S	9/2004	Hayashi	D751,617 S	3/2016	Sakigawara
D508,899 S	8/2005	Suzuki	D754,233 S	4/2016	Du
D516,443 S	3/2006	Gotou	D755,274 S	5/2016	Lee
D524,295 S	7/2006	Jacobson	D764,559 S	8/2016	Luo
D534,938 S	1/2007	Beasley	D776,180 S	1/2017	Fiedler
7,215,238 B2	5/2007	Buck	D782,926 S	4/2017	Hojo
D546,295 S	7/2007	Marchetto	D784,434 S	4/2017	Benedetti
D547,275 S	7/2007	Bonnaud	D785,693 S	5/2017	Kim
D558,810 S	1/2008	Alden	D788,834 S	6/2017	Bhattacharya
D564,004 S	3/2008	Ikeda	D791,211 S	7/2017	Fujita
D575,316 S	8/2008	Liu	D794,694 S	8/2017	Liu
D582,955 S	12/2008	Sekine	D795,329 S	8/2017	Martin
D589,497 S	3/2009	Andre	D795,938 S	8/2017	Ravat
D592,158 S	5/2009	Peterson	D797,836 S	9/2017	Li
D594,047 S	6/2009	Lee	D798,360 S	9/2017	Jeong
D595,328 S	6/2009	Kim	D802,644 S	11/2017	Lee
D600,732 S	9/2009	Kim	D806,775 S	1/2018	Nguyen
D609,727 S	2/2010	Adolfsson	D808,828 S	1/2018	Béhar
D613,626 S	4/2010	Wang	D813,289 S	3/2018	Laffon De Mazieres
D614,145 S	4/2010	Arosio	D815,550 S	4/2018	Masuyama
D614,223 S	4/2010	Kim	D816,144 S	4/2018	Vigren
D614,977 S	5/2010	Hollnagel	D818,028 S	5/2018	Ramones
D624,108 S	9/2010	Wang	D819,715 S	6/2018	Laurans
D624,109 S	9/2010	Wang	D820,339 S	6/2018	Yau
D649,573 S	11/2011	Al	D824,982 S	8/2018	Lee
D651,633 S	1/2012	Park	D828,425 S	9/2018	Piekarski
D659,732 S	5/2012	Kim	D828,426 S	9/2018	Li
D659,733 S	5/2012	Chen	D829,803 S	10/2018	Read
D660,834 S	5/2012	Akana	D830,446 S	10/2018	Muhlenkamp, IV
D667,382 S	9/2012	Cosentino	D831,089 S	10/2018	Laffon De Mazieres
D673,512 S	1/2013	Huang	D840,460 S	2/2019	Scalisi
D676,075 S	2/2013	Ku	D842,142 S	3/2019	Recker
D680,151 S	4/2013	Katori	D848,299 S	5/2019	Li
D681,213 S	4/2013	Solby	D849,077 S	5/2019	Tian
D692,042 S	10/2013	Dawes	D849,088 S	5/2019	Lai
D692,939 S	11/2013	Huang	D849,089 S	5/2019	Lu
D693,868 S	11/2013	Ying	D849,109 S	5/2019	Tong
D697,119 S	1/2014	Park	D863,406 S *	10/2019	Laffon de Mazieres .... D16/219
D701,496 S	3/2014	Namminga	D865,840 S *	11/2019	White ..... D16/203
D711,359 S	8/2014	Marzynski	D892,896 S	8/2020	Gartrell
D715,228 S	10/2014	Lee	D892,898 S *	8/2020	Jacob ..... D16/203
D721,754 S	1/2015	Chen	D893,575 S	8/2020	Kyte
D722,983 S	2/2015	Paredes	D896,870 S *	9/2020	Li ..... D16/203
D725,049 S	3/2015	Paredes	D898,098 S *	10/2020	White ..... D16/203
D725,691 S	3/2015	De Rosa	D907,681 S *	1/2021	Gartrell ..... D16/203
D728,489 S	5/2015	Eriksen	D912,121 S *	3/2021	Han ..... D16/203
D729,296 S	5/2015	Shelton	D914,784 S *	3/2021	Wei ..... D16/203
D730,421 S	5/2015	Huang	2006/0221206 A1	10/2006	Lin
D732,512 S	6/2015	Fariello	2007/0292124 A1	12/2007	Gottwald
D733,780 S	7/2015	Chen	2009/0008521 A1	1/2009	Lee
D733,781 S	7/2015	Chen	2012/0120236 A1	5/2012	Xiao
D736,292 S	8/2015	Fengmin	2013/0063259 A1	3/2013	Kramer
D740,871 S	10/2015	Moon	2013/0176243 A1	7/2013	Bianrosa
D741,932 S	10/2015	Huang	2014/0150349 A1	6/2014	Yates
D743,467 S	11/2015	Bhattacharya	2015/0109441 A1	4/2015	Fujioka
D744,572 S	12/2015	Tabuchi	2016/0112636 A1	4/2016	Yamaguchi
			2017/0006340 A1	1/2017	Enke
			2018/0240621 A1	8/2018	Oomori

\* cited by examiner

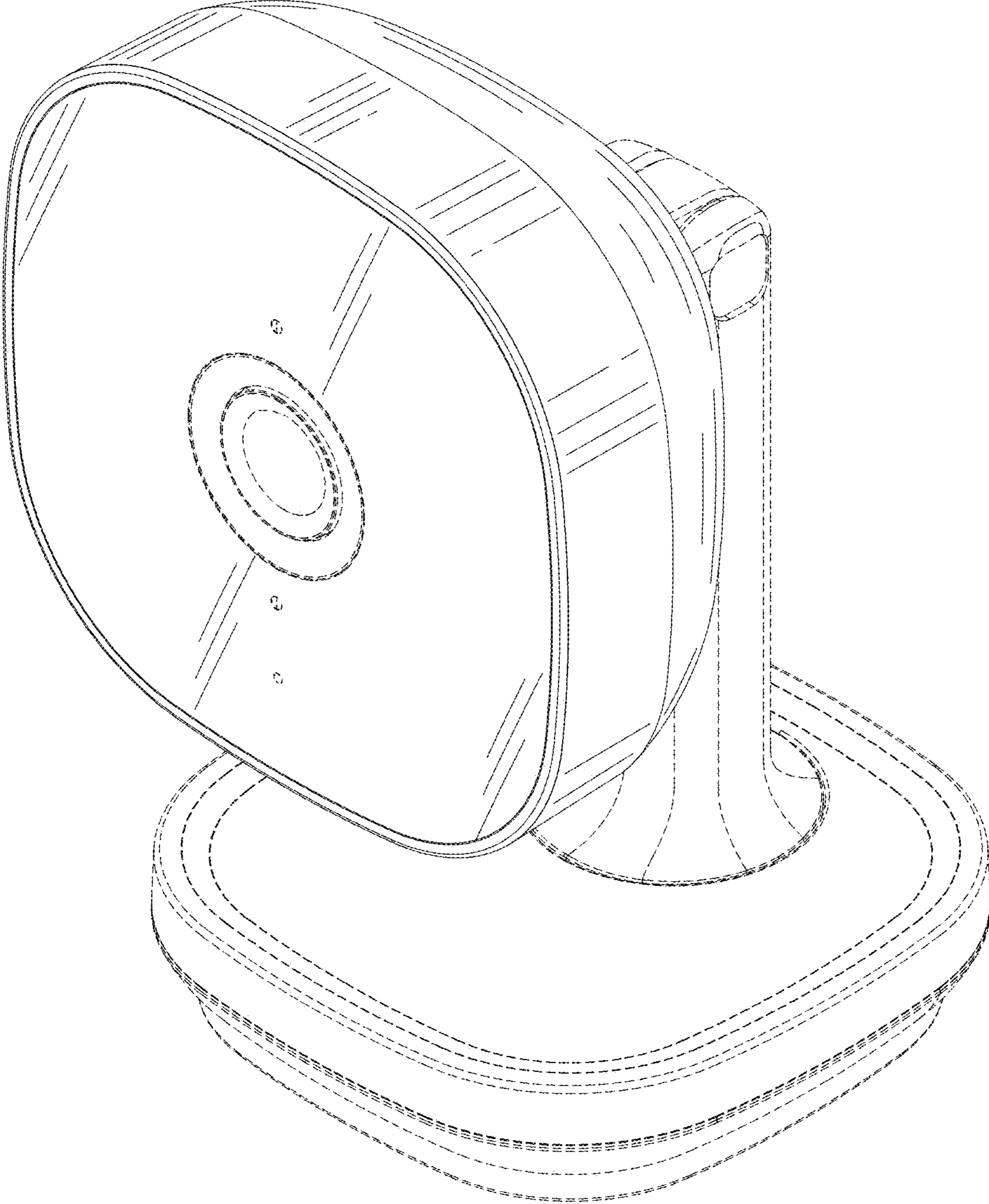


FIG. 1

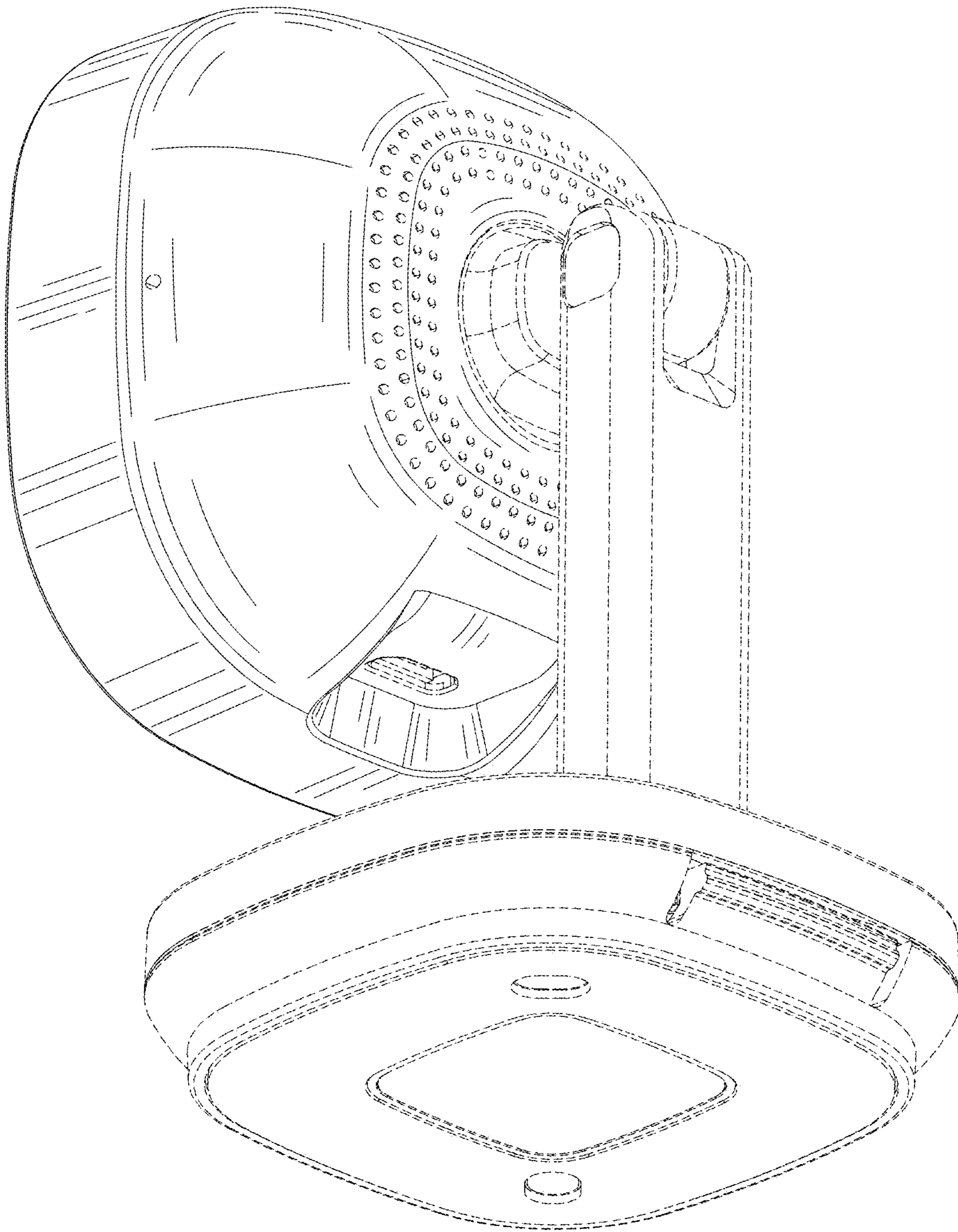


FIG. 2

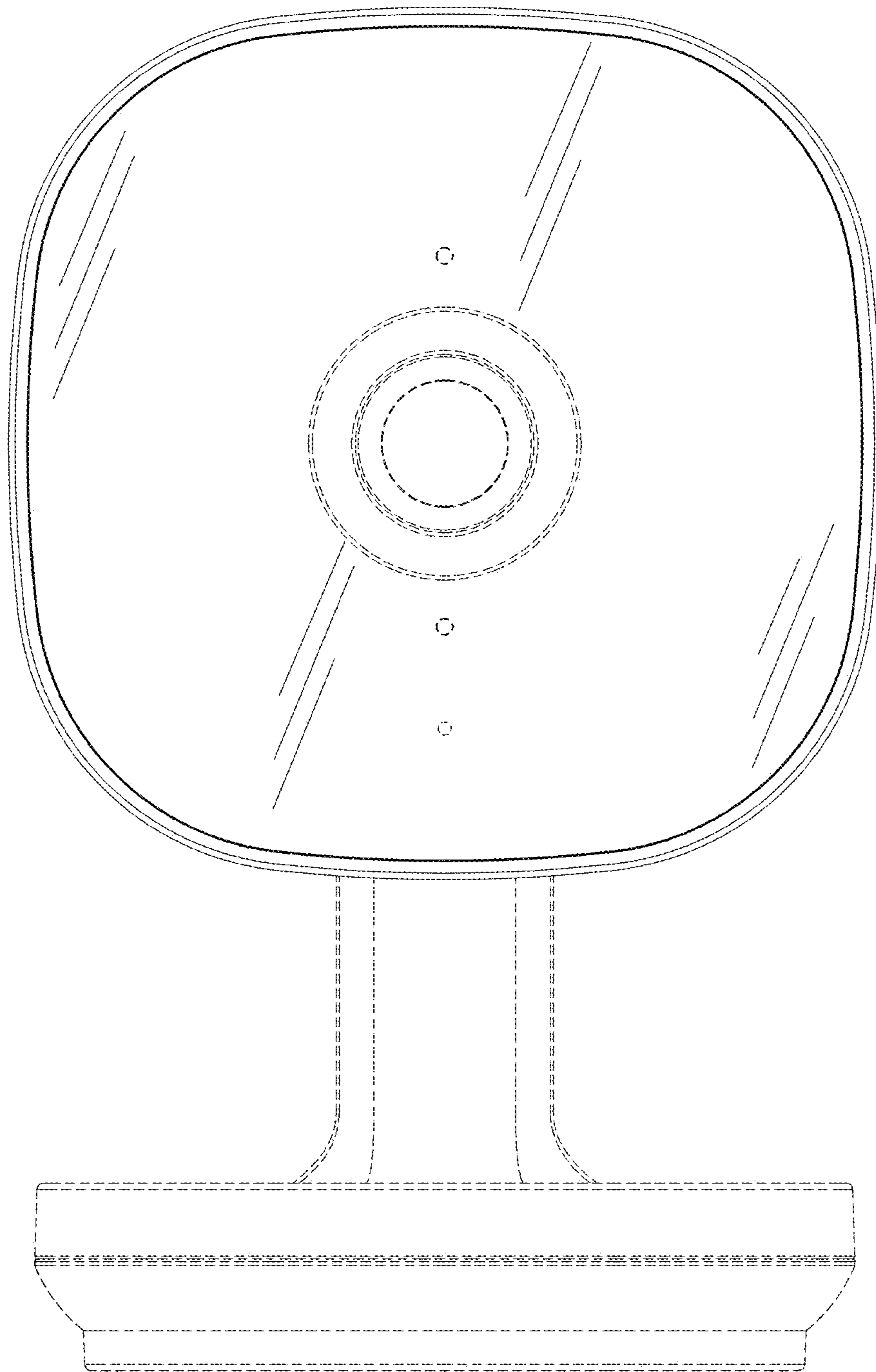


FIG. 3

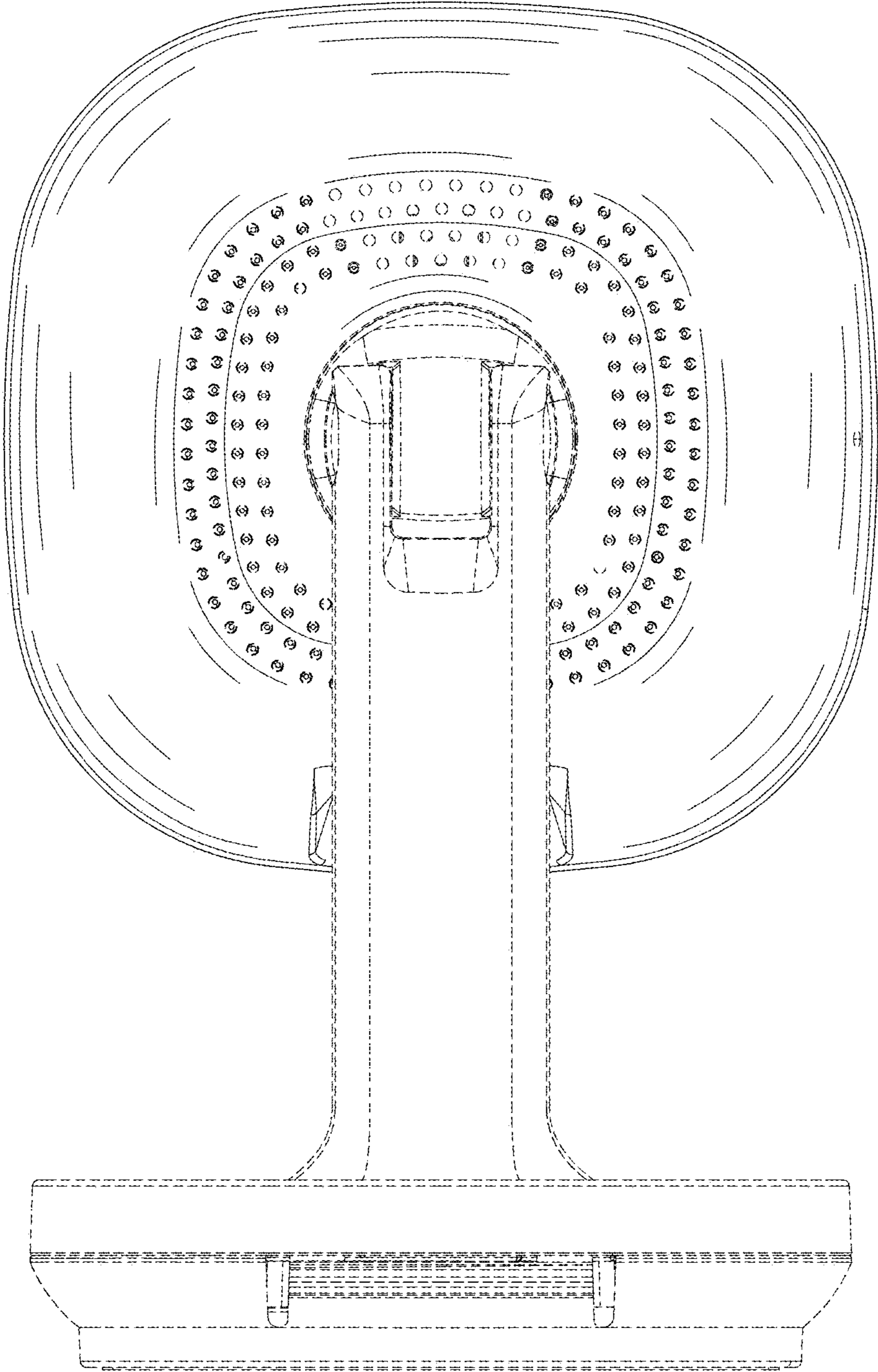


FIG. 4

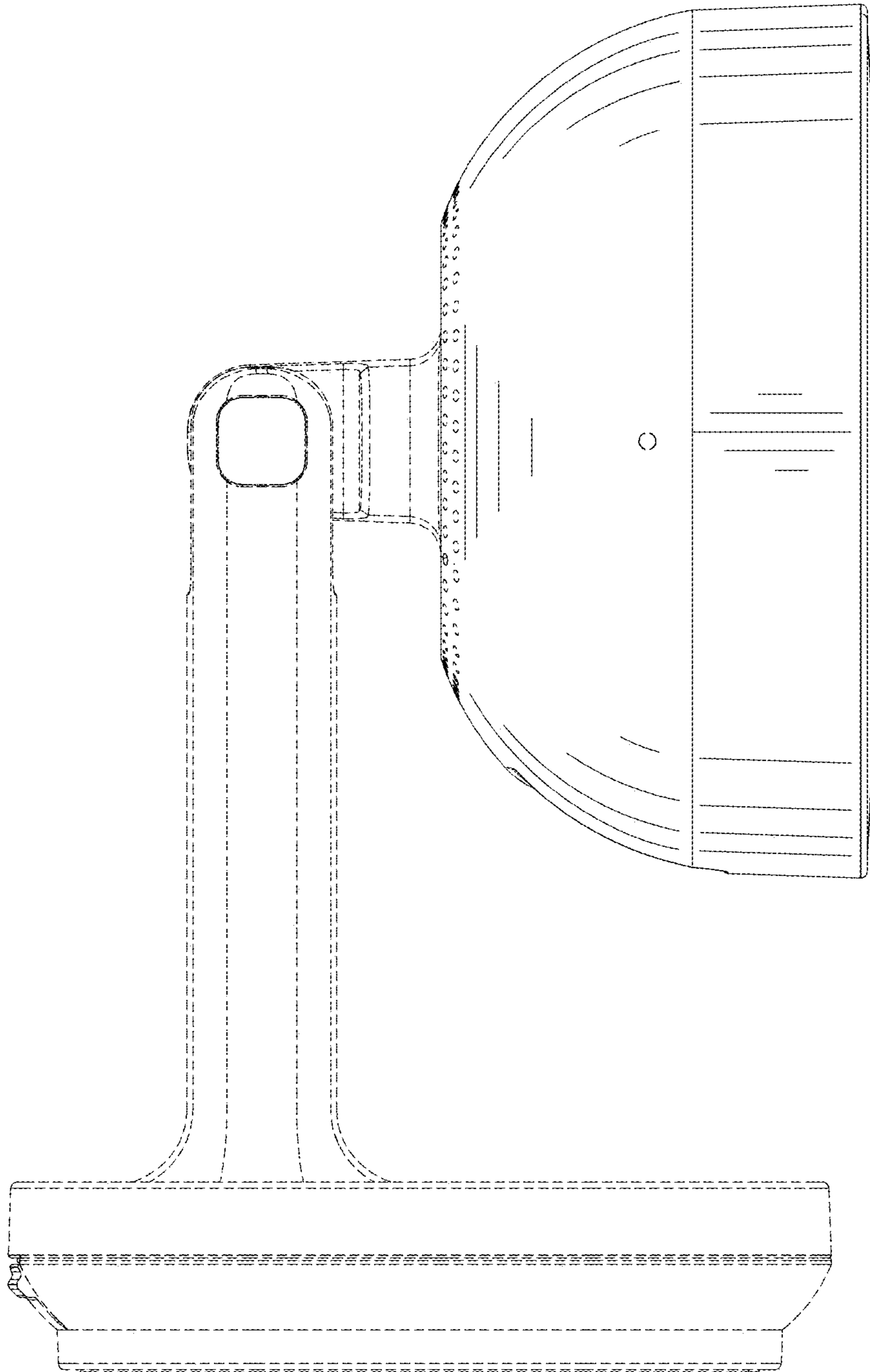


FIG. 5

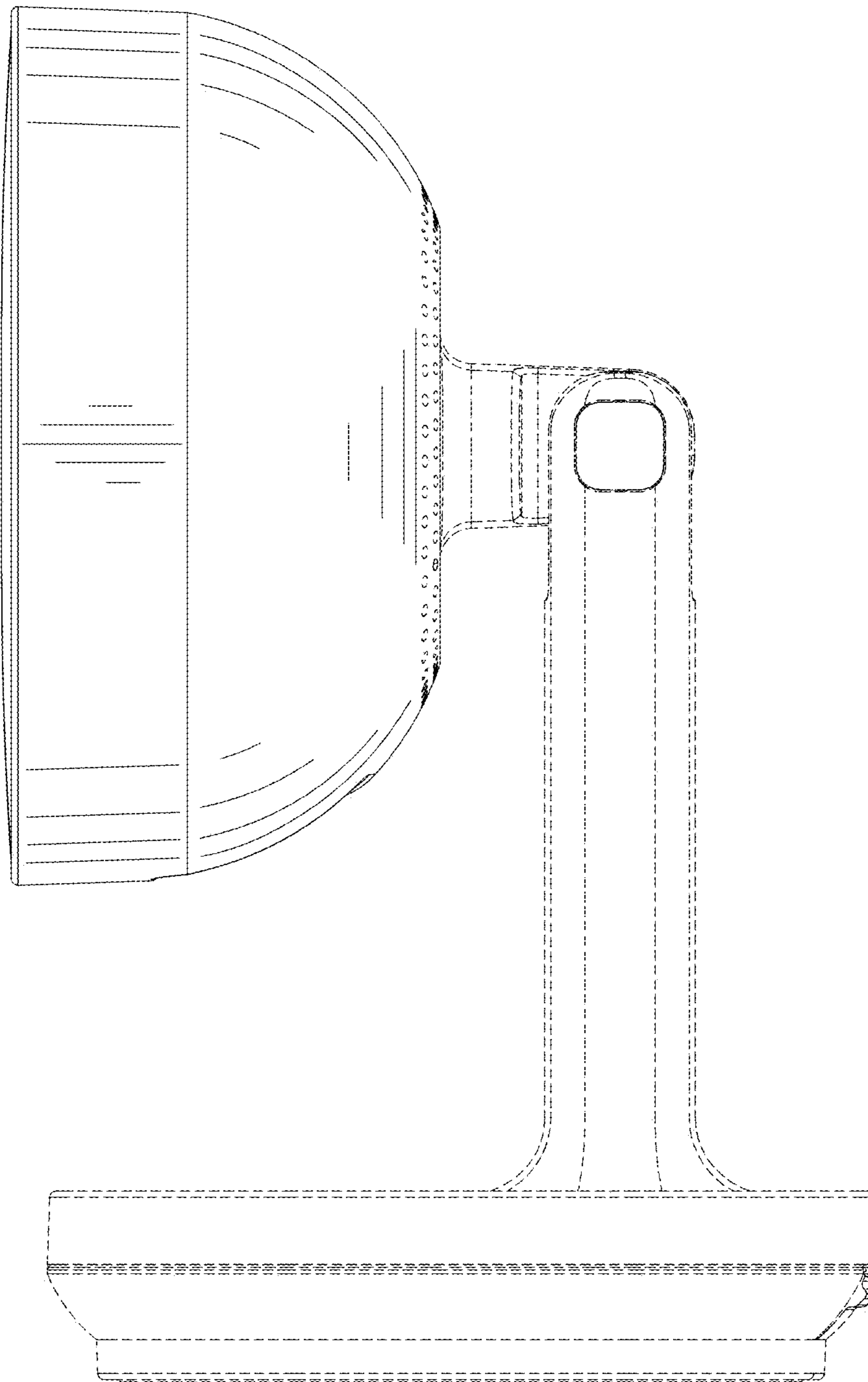


FIG. 6



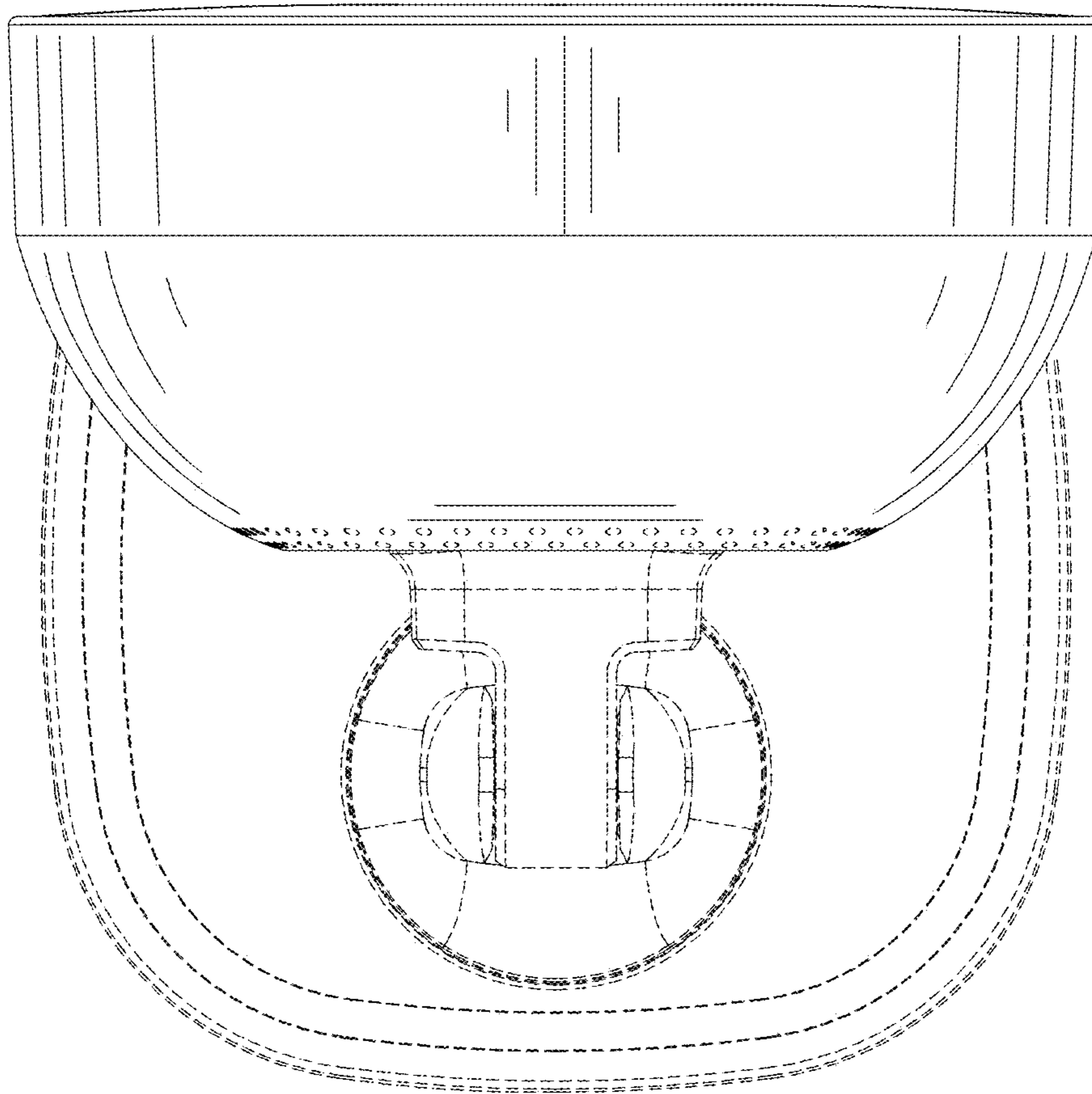


FIG. 7

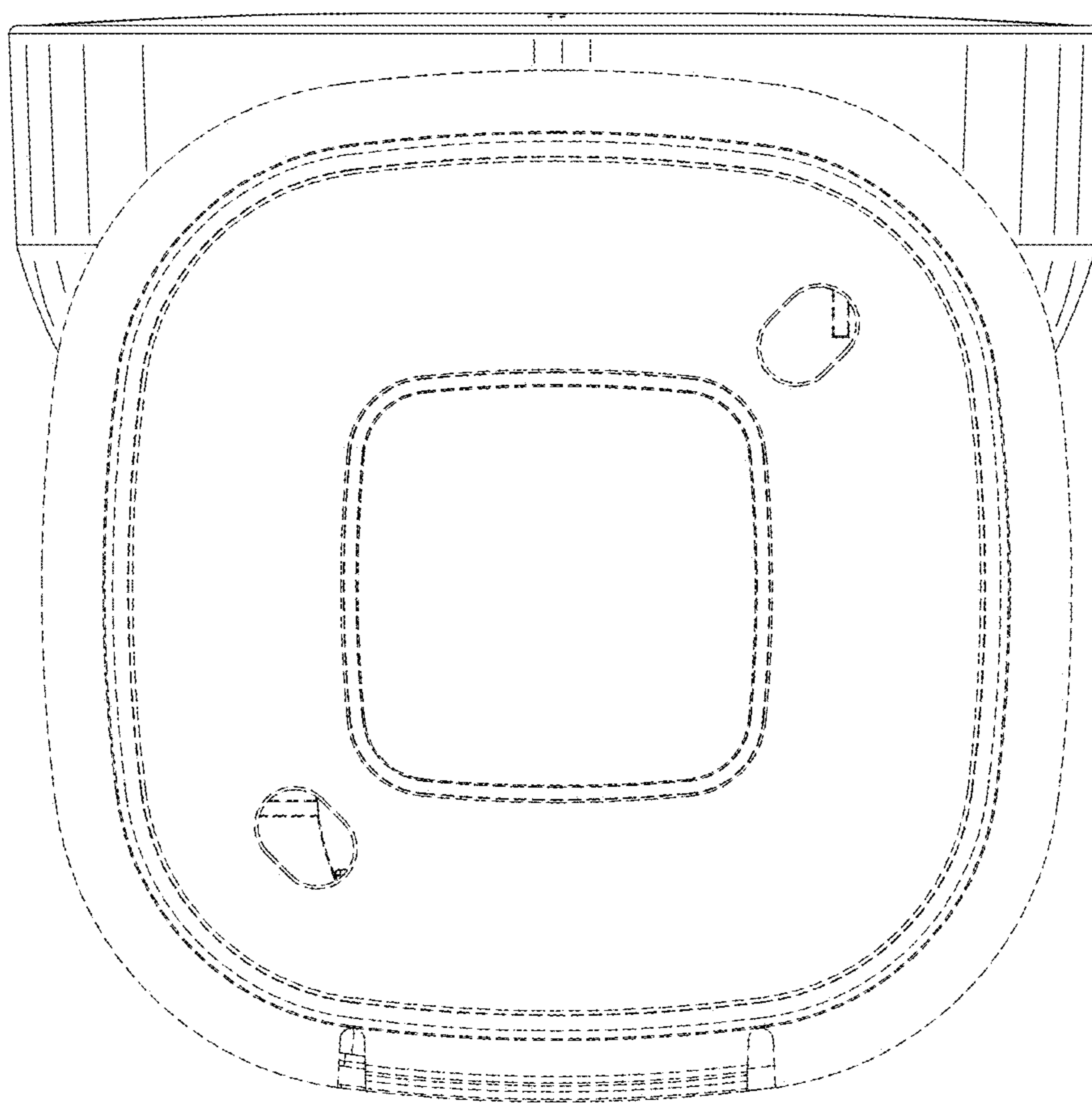


FIG. 8