



US00D930060S

(12) **United States Design Patent**
Zhang

(10) **Patent No.:** **US D930,060 S**

(45) **Date of Patent:** **** Sep. 7, 2021**

(54) **BINOCULARS**

(71) Applicant: **Luying Zhang**, Shandong (CN)

(72) Inventor: **Luying Zhang**, Shandong (CN)

(**) Term: **15 Years**

(21) Appl. No.: **29/751,279**

(22) Filed: **Sep. 19, 2020**

(51) **LOC (13) Cl.** **16-06**

(52) **U.S. Cl.**
USPC **D16/133**

(58) **Field of Classification Search**
USPC D16/130, 133, 136, 237
CPC G02B 23/00; G02B 23/18
See application file for complete search history.

(56) **References Cited**

U.S. PATENT DOCUMENTS

D440,584 S *	4/2001	Lee	D16/133
D551,272 S *	9/2007	Fujii	D16/133
D713,437 S *	9/2014	Soejima	D16/133
D748,177 S	1/2016	Radau		
D783,073 S	4/2017	Radau		
D816,749 S	5/2018	Kung		
D841,072 S	2/2019	Proll		

D867,416 S *	11/2019	Radau	D16/133
D869,535 S	12/2019	Schmitt		
D897,391 S *	9/2020	Proell	D16/133
D911,410 S *	2/2021	An	D16/133

* cited by examiner

Primary Examiner — Holly E Thurman

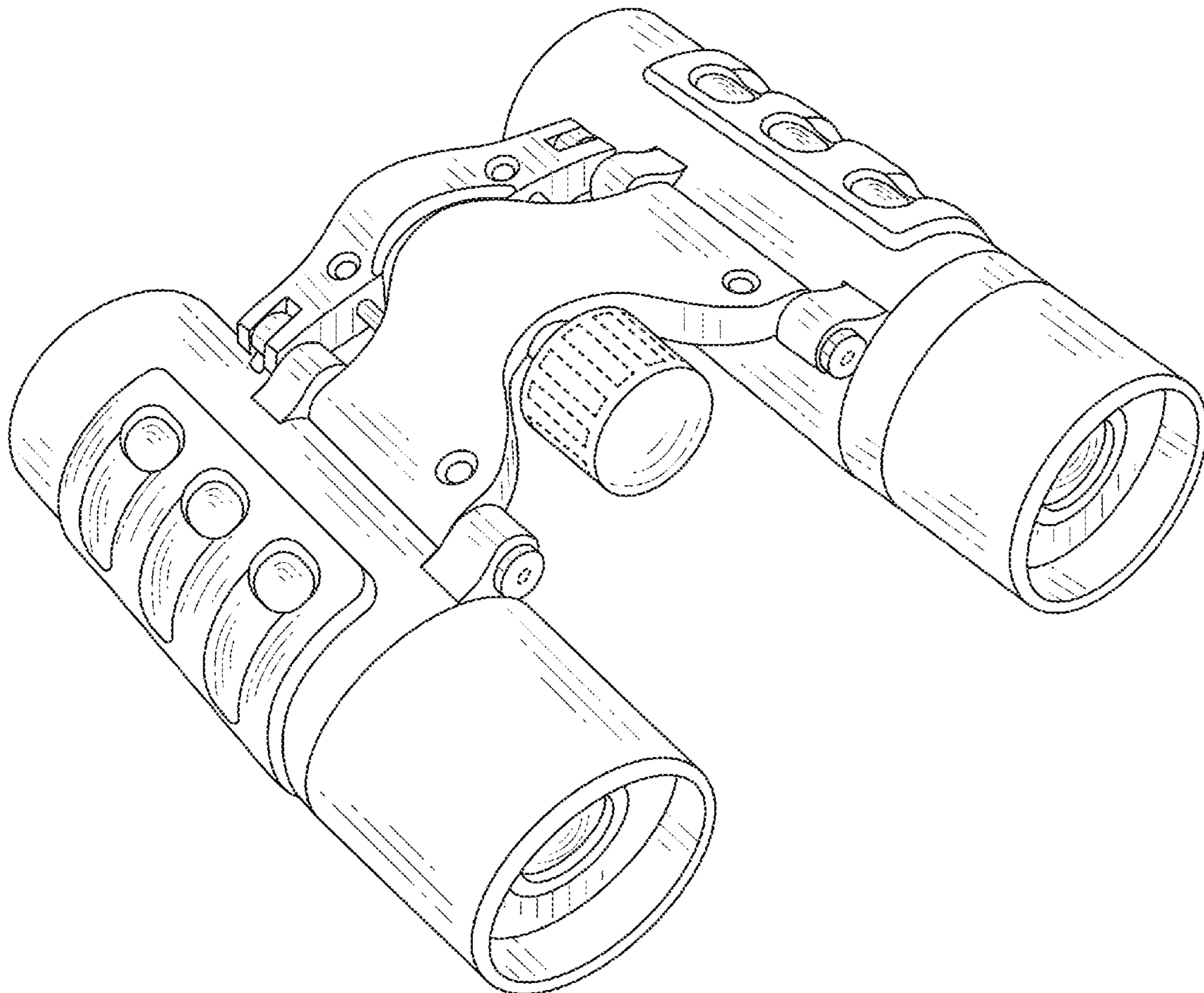
(57) **CLAIM**

The ornamental design for a binocular, as shown and described.

DESCRIPTION

FIG. 1 is a perspective view of a binocular showing my new design;
 FIG. 2 is a front elevational view thereof;
 FIG. 3 is a rear elevational view thereof;
 FIG. 4 is a left side elevational view thereof;
 FIG. 5 is a right side elevational view thereof;
 FIG. 6 is a top plan view thereof;
 FIG. 7 is a bottom plan view thereof; and,
 FIG. 8 is another perspective view thereof.
 The broken lines throughout the drawing figures depict portions of the binocular that form no part of the claimed design.

1 Claim, 8 Drawing Sheets



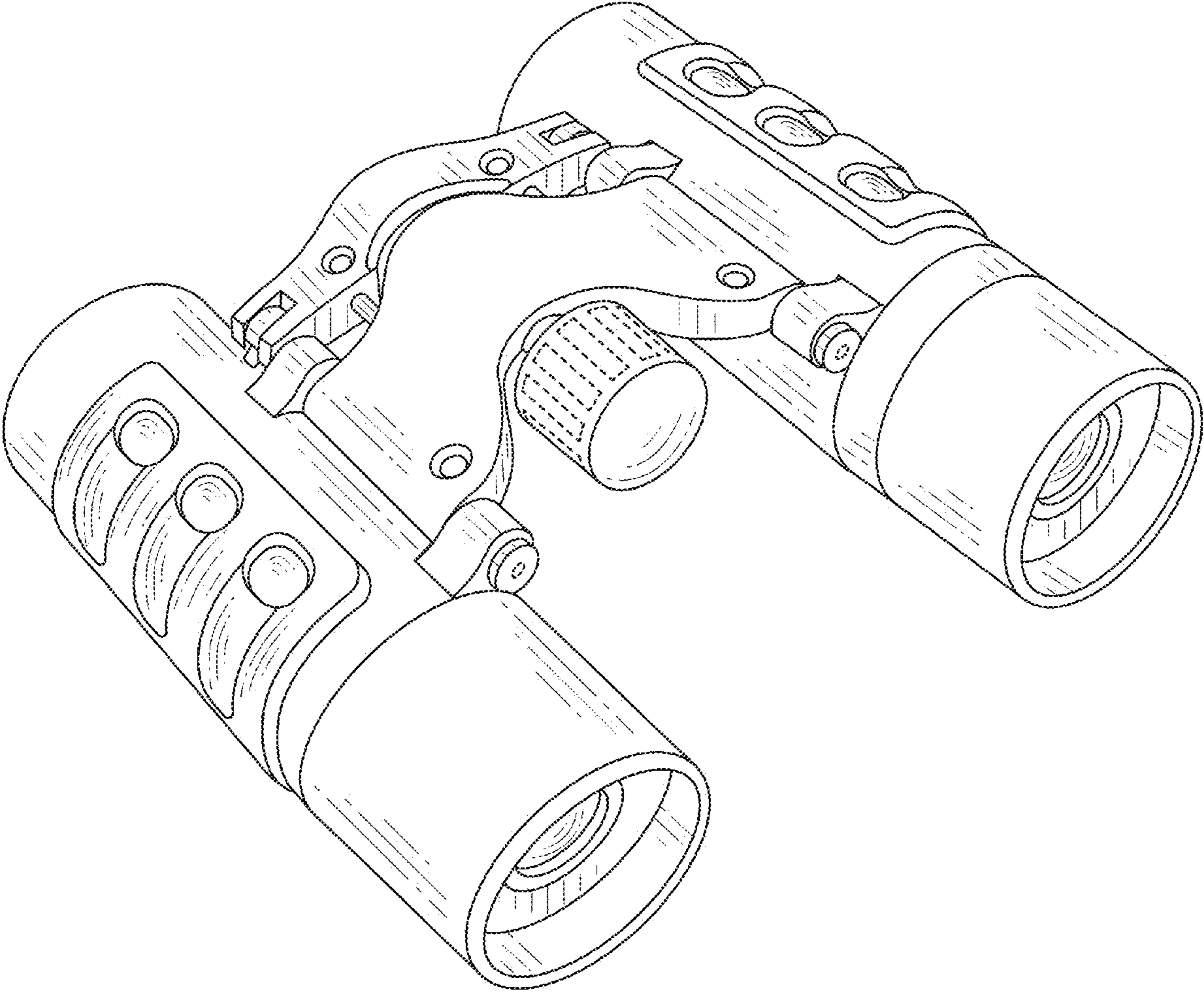


FIG.1

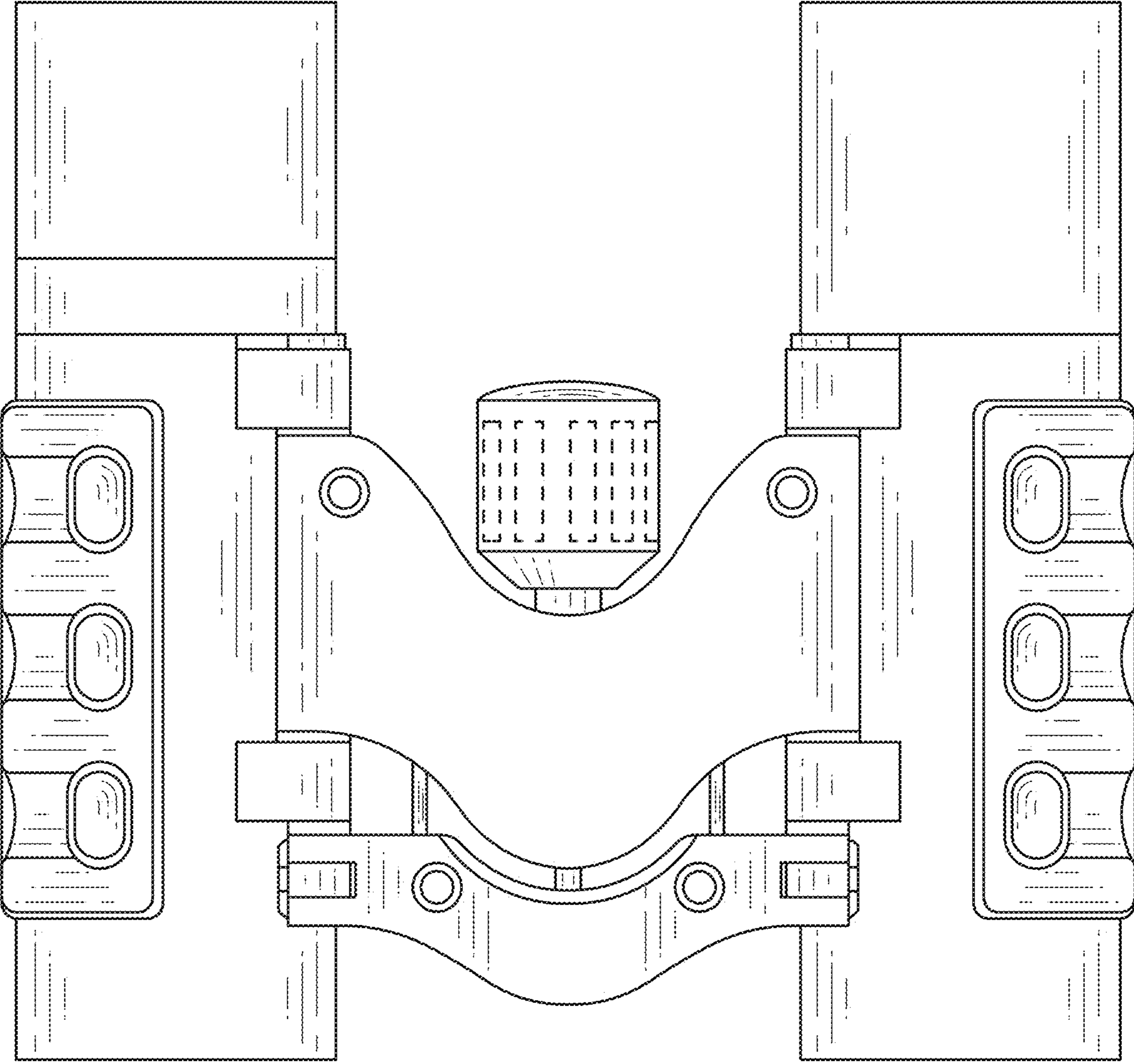


FIG.2

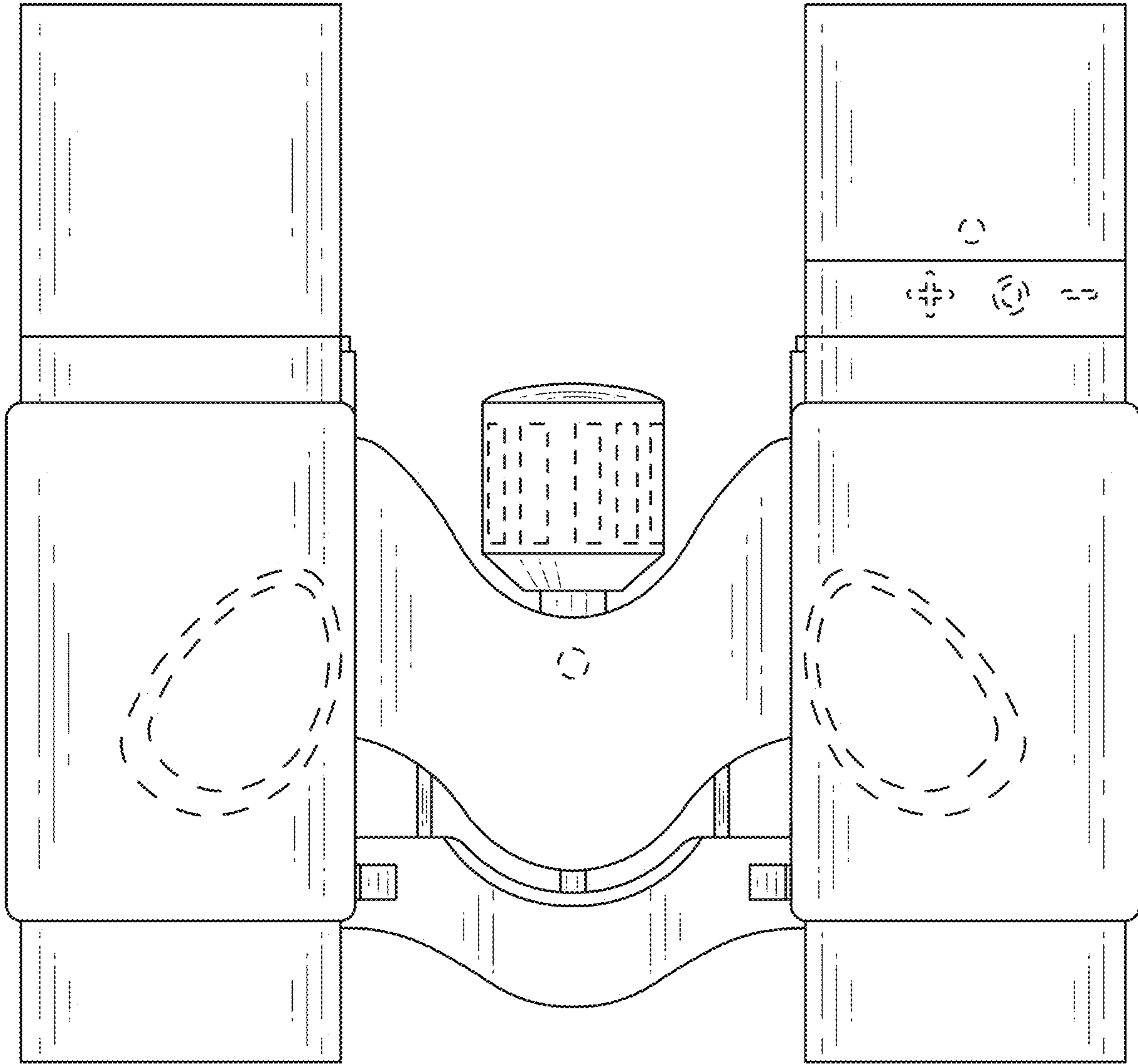


FIG.3

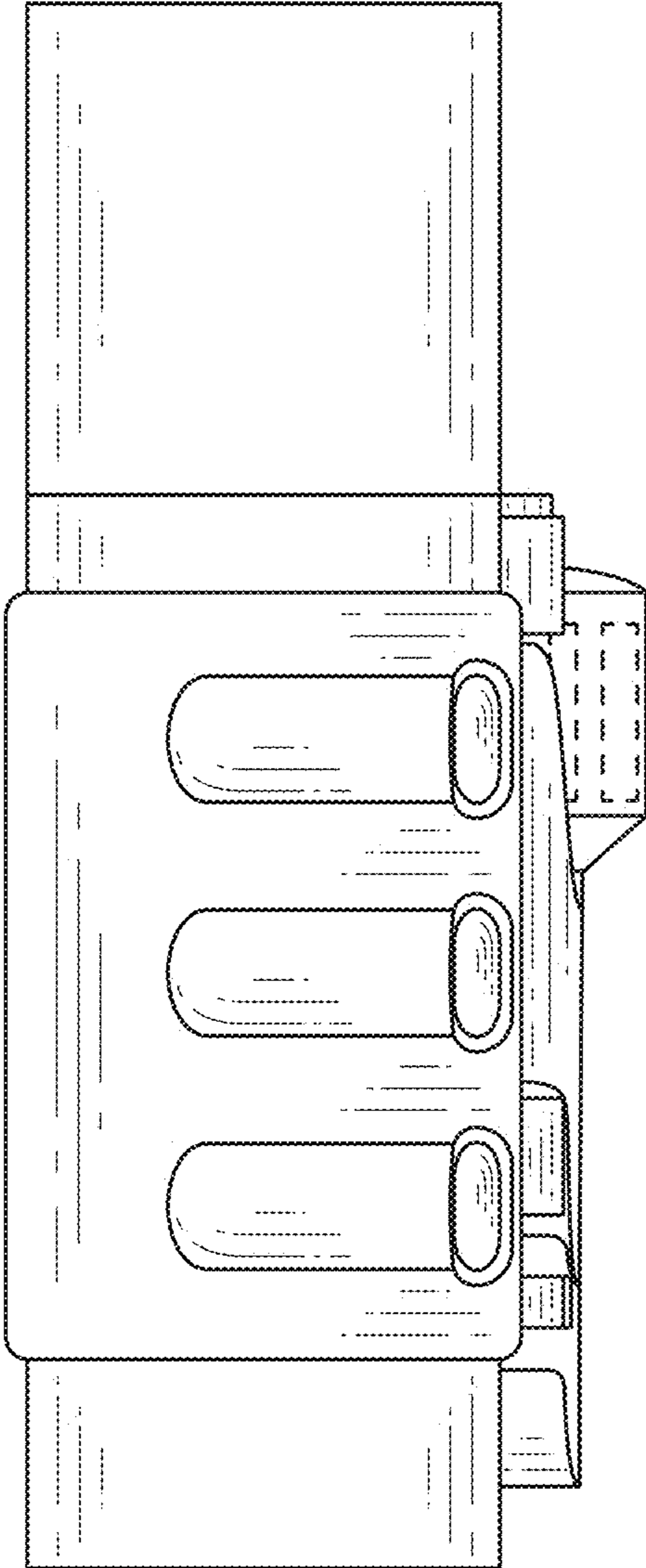


FIG.4

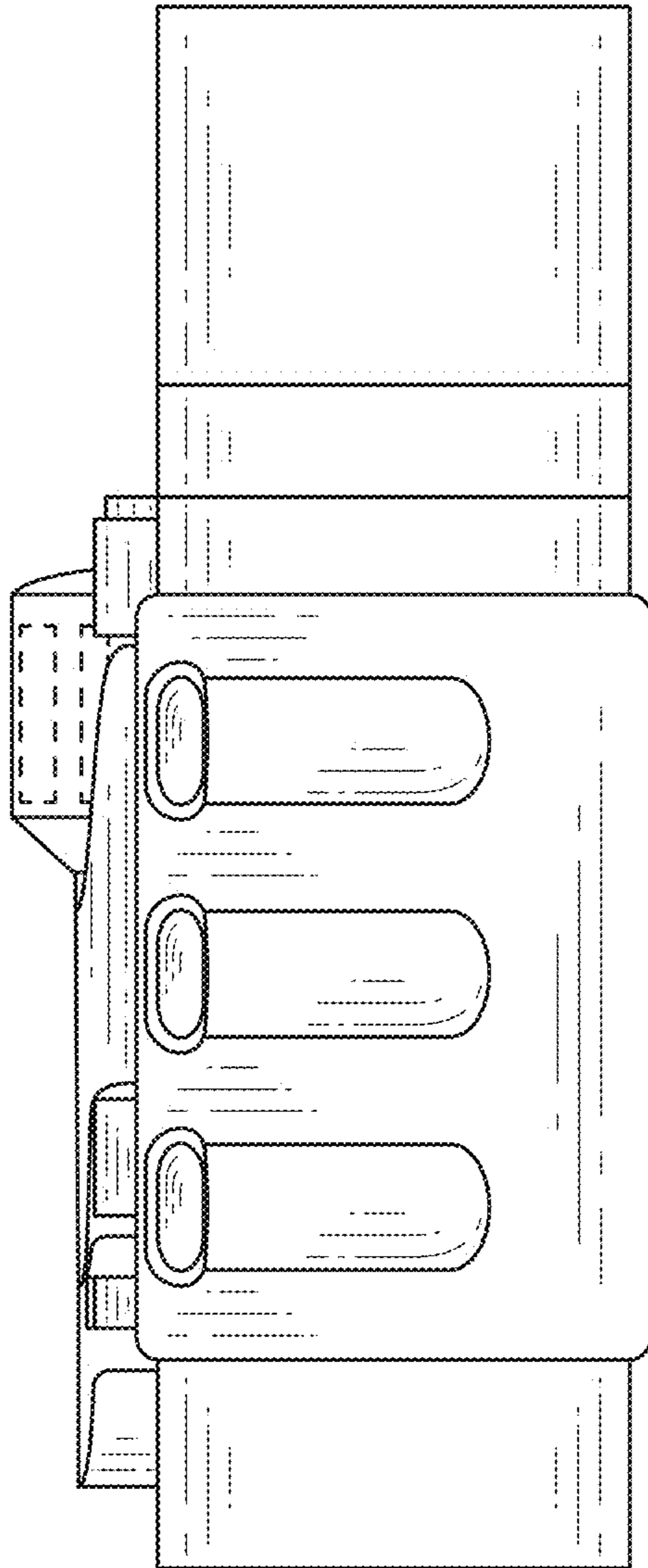


FIG.5

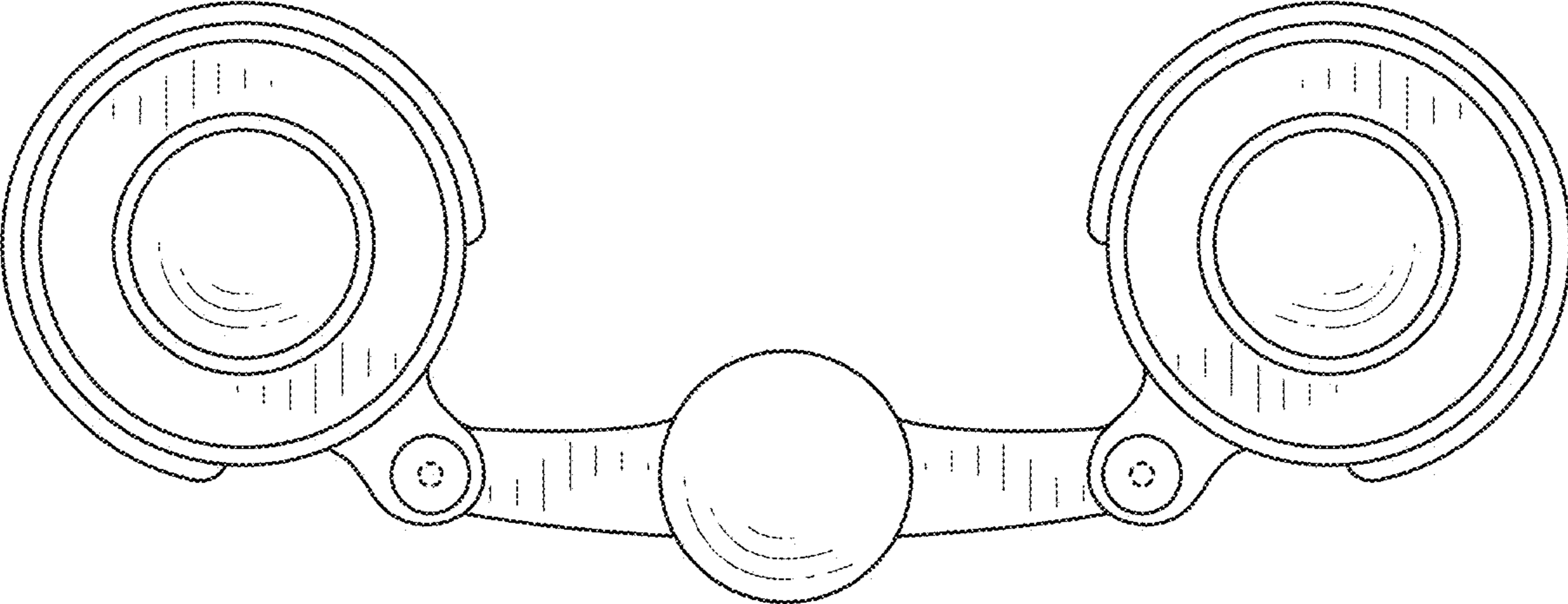


FIG.6

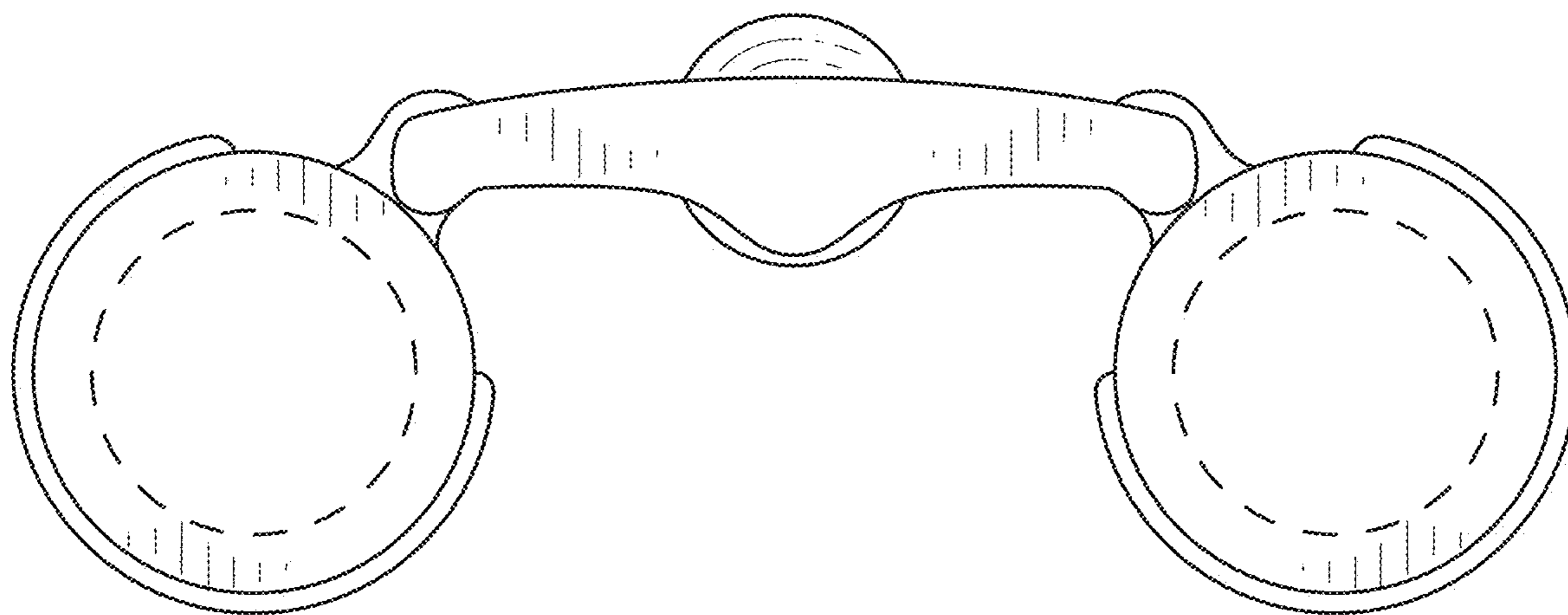


FIG.7

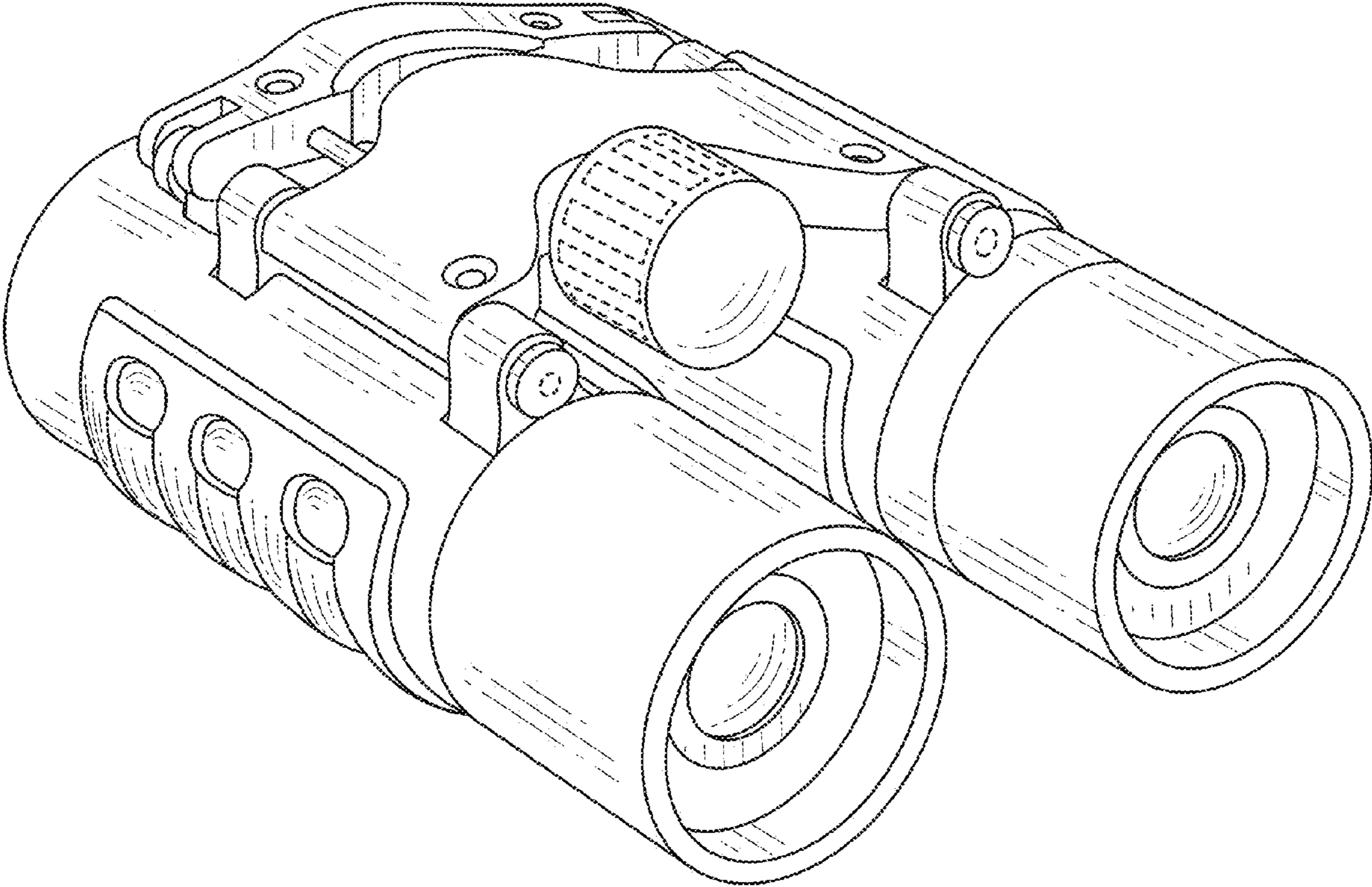


FIG.8