



US00D930057S

(12) **United States Design Patent**  
**Kobayashi et al.**

(10) **Patent No.:** **US D930,057 S**

(45) **Date of Patent:** **\*\* Sep. 7, 2021**

(54) **NOZZLE**

(71) Applicant: **AMADA HOLDINGS CO., LTD.**,  
Kanagawa (JP)

(72) Inventors: **Ryo Kobayashi**, Kanagawa (JP);  
**Akihiko Sugiyama**, Kanagawa (JP);  
**Yasuhito Baba**, Kanagawa (JP)

(73) Assignee: **AMADA HOLDINGS CO., LTD.**,  
Kanagawa (JP)

(\*\*) Term: **15 Years**

(21) Appl. No.: **29/701,584**

(22) Filed: **Aug. 13, 2019**

(30) **Foreign Application Priority Data**

Feb. 15, 2019 (JP) ..... 2019-003051  
Feb. 15, 2019 (JP) ..... 2019-003052

(51) **LOC (13) Cl.** ..... **15-09**

(52) **U.S. Cl.**  
USPC ..... **D15/144**; D15/144.1

(58) **Field of Classification Search**  
USPC ..... D8/61, 62, 66, 70; D15/122, 127, 138,  
D15/139, 140, 141, 143, 144, 144.1;  
D32/19; D23/213  
CPC ..... H05H 1/34; H05H 2001/3457; H05H  
2001/3468  
See application file for complete search history.

(56) **References Cited**

**U.S. PATENT DOCUMENTS**

D132,183 S \* 4/1942 Lewis ..... D23/213  
D359,058 S \* 6/1995 Carkhuff ..... D15/144  
D384,484 S \* 9/1997 Ibarra ..... D23/213  
D419,069 S \* 1/2000 Beck ..... D9/443  
D446,231 S \* 8/2001 Kuraoka ..... D15/144

D458,342 S \* 6/2002 Johnson ..... D23/213  
D473,927 S \* 4/2003 Johnson ..... D23/213  
D499,124 S \* 11/2004 Kuraoka ..... D15/144  
D500,064 S \* 12/2004 Kuraoka ..... D15/144  
D580,960 S \* 11/2008 Yamaguchi ..... D15/144  
D582,449 S \* 12/2008 Yamaguchi ..... D15/144  
D582,950 S \* 12/2008 Yamaguchi ..... D15/144  
D582,951 S \* 12/2008 Yamaguchi ..... D15/144  
D617,189 S \* 6/2010 Casey ..... D9/447  
D617,871 S \* 6/2010 Wright ..... B05B 15/18  
D23/213

(Continued)

*Primary Examiner* — Michael C Stout

*Assistant Examiner* — Fritzgerald L Butac

(74) *Attorney, Agent, or Firm* — Greenblum & Bernstein,  
P.L.C.

(57) **CLAIM**

We claim the ornamental design for a nozzle, as shown and described.

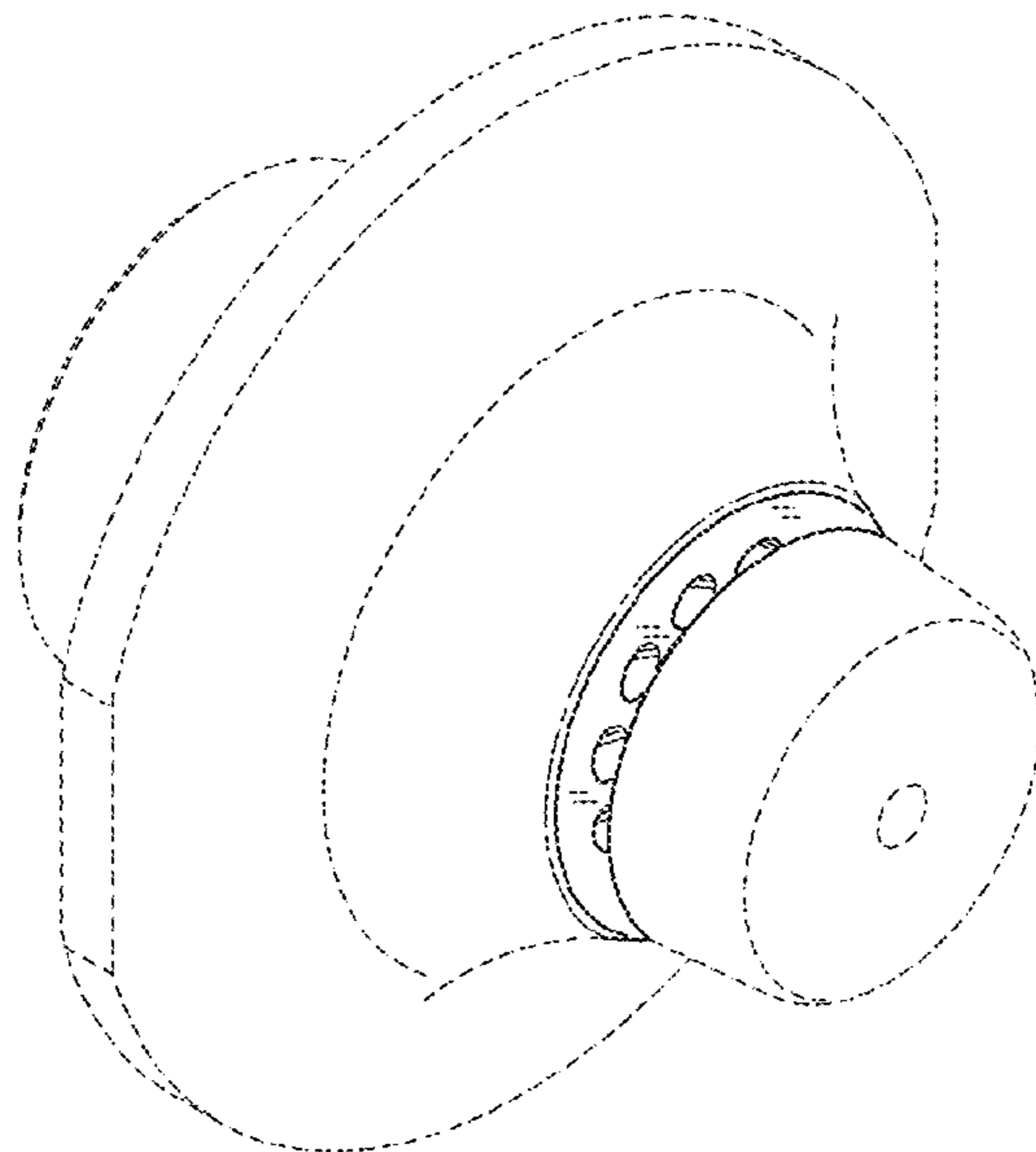
**DESCRIPTION**

FIG. 1 is a right, front, and top perspective view of a nozzle; FIG. 2 is a front elevational view thereof, where a rear elevational view thereof is a mirror image of FIG. 2; FIG. 3 is a left side elevational view thereof; FIG. 4 is a right side elevational view thereof; FIG. 5 is a top plan view thereof, where a bottom plan view thereof is a mirror image of FIG. 5; FIG. 6 is a sectional view thereof taken along line 6-6 in FIG. 2; FIG. 7 is a sectional view thereof taken along line 7-7 in FIG. 3; and, FIG. 8 is a sectional view thereof taken along line 8-8 in FIG. 3.

The broken lines show portions of a nozzle which form no part of the claimed design.

The “dash-dot” broken lines are for the purpose of showing the bounds of the claimed design, and form no part thereof.

**1 Claim, 4 Drawing Sheets**



(56)

**References Cited**

## U.S. PATENT DOCUMENTS

D622,810	S	*	8/2010	Wright	.....	D23/213
D626,624	S	*	11/2010	Wright	.....	D23/213
D636,241	S	*	4/2011	Hoppe	.....	D8/29.1
D637,052	S	*	5/2011	Hoppe	.....	D8/29.1
D638,912	S	*	5/2011	Wright	.....	D23/213
D639,906	S	*	6/2011	Wright	.....	D23/213
D653,270	S	*	1/2012	Furujo	.....	D15/144
D654,939	S	*	2/2012	Furujo	.....	D15/144
D654,940	S	*	2/2012	Furujo	.....	D15/144
D669,509	S	*	10/2012	Krink	.....	D15/144.1
D702,272	S	*	4/2014	Furujo	.....	D15/144
D704,799	S	*	5/2014	Crawley	.....	D23/213
D724,694	S	*	3/2015	Bygbjerg	.....	D23/213
D734,427	S	*	7/2015	Bygbjerg	.....	D23/213
D749,697	S	*	2/2016	Wojan	.....	D23/223
D775,249	S	*	12/2016	Furujo	.....	D15/144
D809,723	S	*	2/2018	Pierzynski	.....	D32/25
D812,714	S	*	3/2018	Hughes	.....	D23/213
D815,944	S	*	4/2018	Lind	.....	D9/447
D863,386	S	*	10/2019	Swope	.....	D15/139
D881,955	S	*	4/2020	Wolf	.....	D15/122
D888,877	S	*	6/2020	White	.....	D22/122

\* cited by examiner

Fig. 1

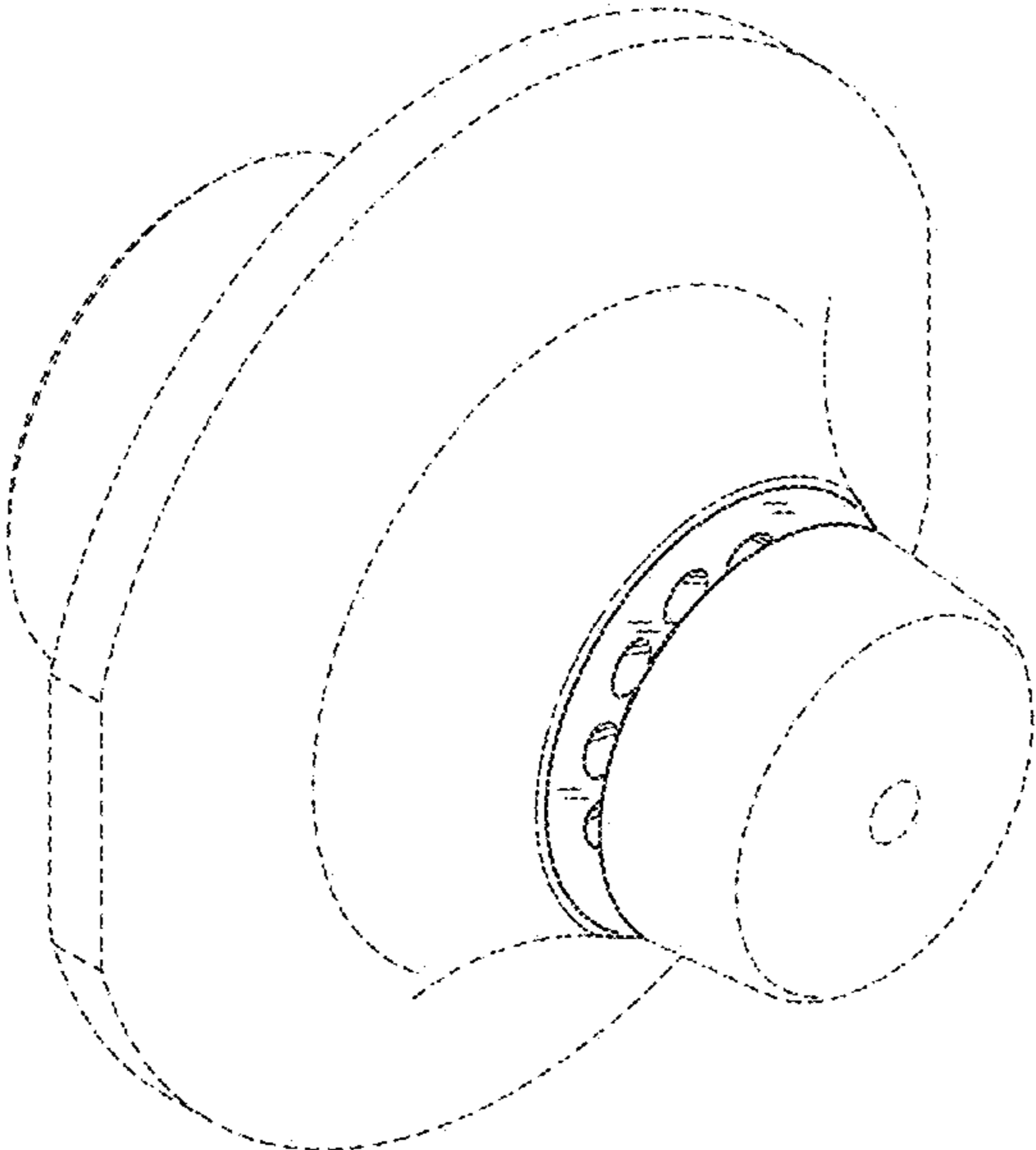


Fig. 2

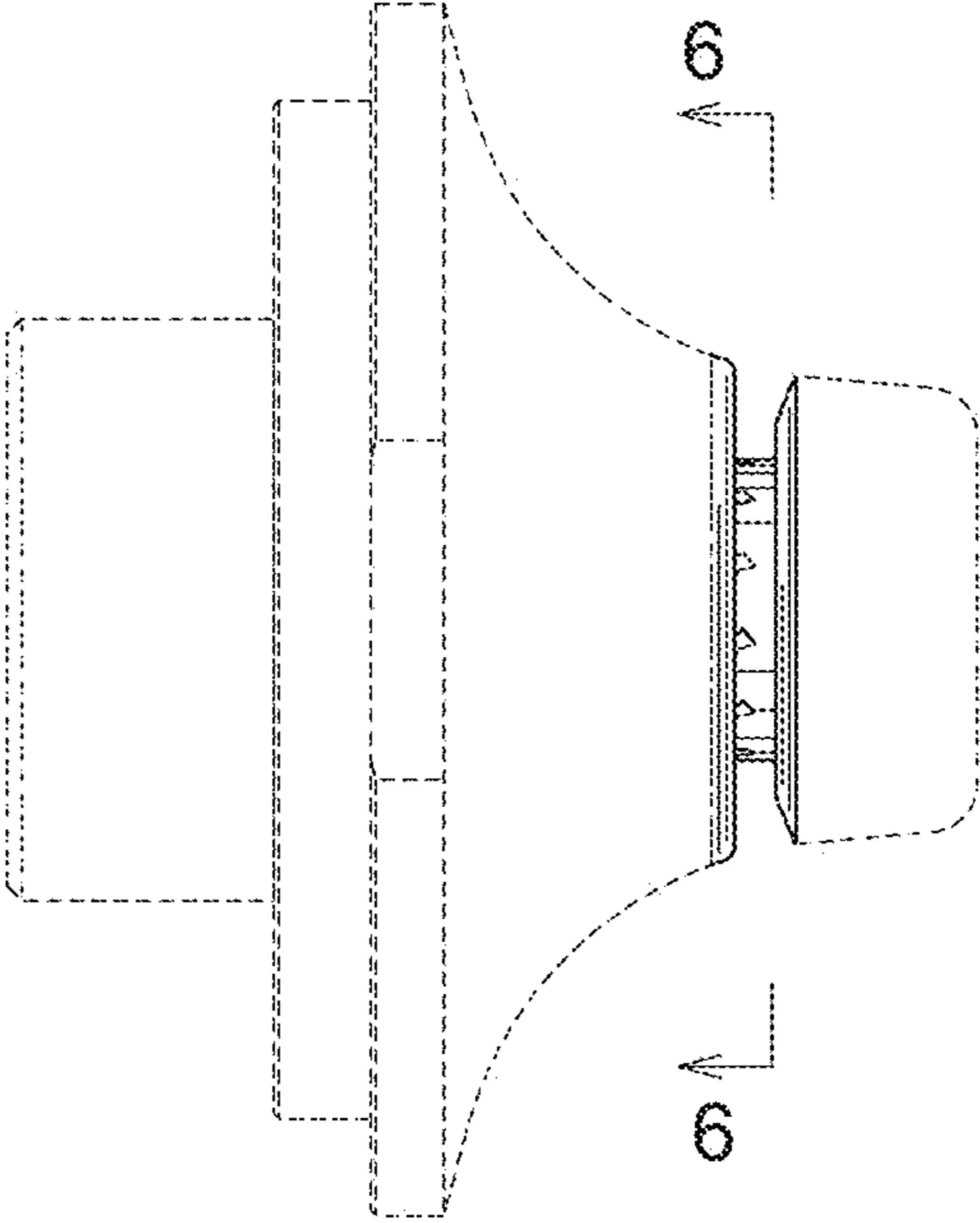


Fig. 3

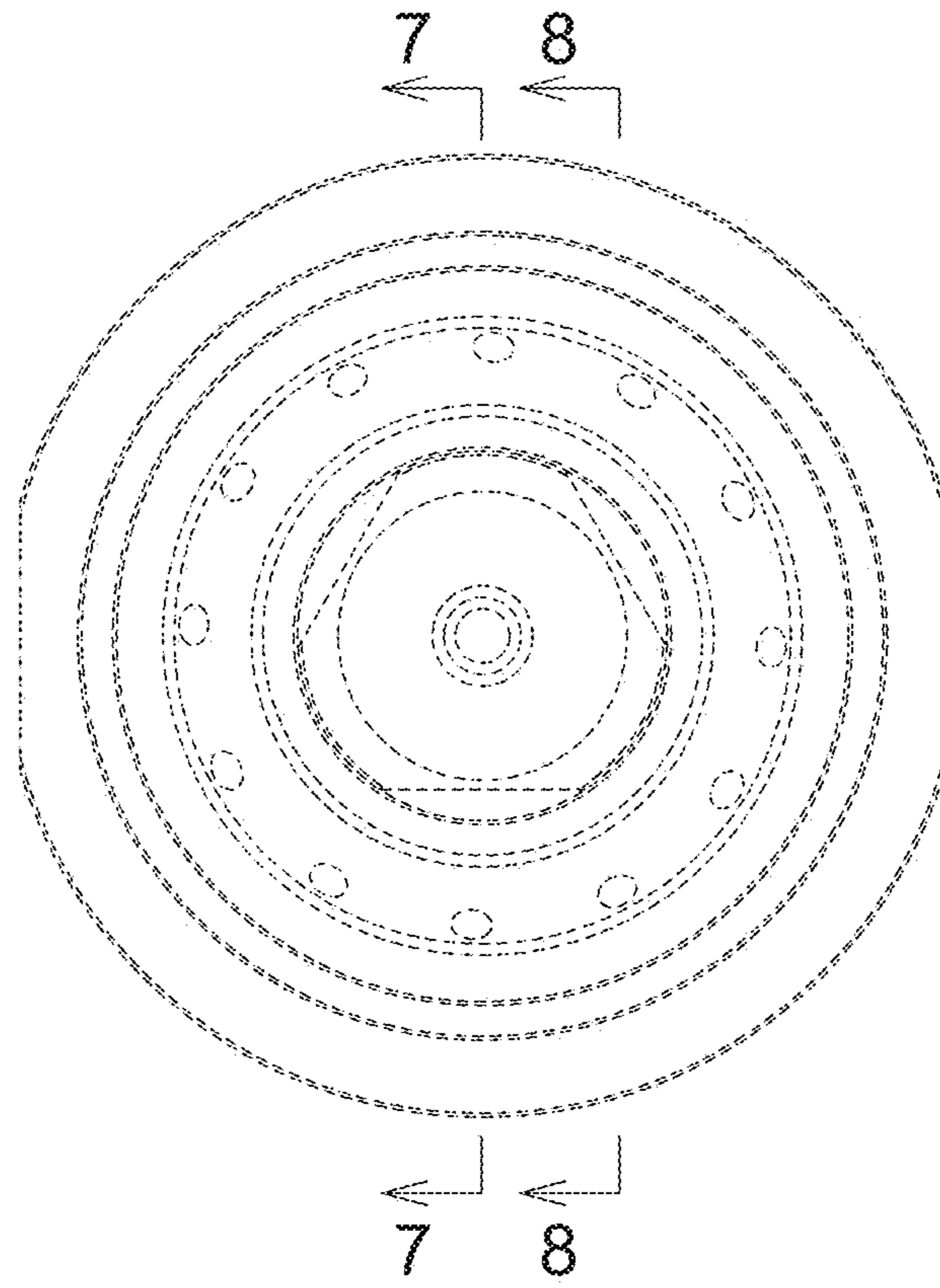


Fig. 4

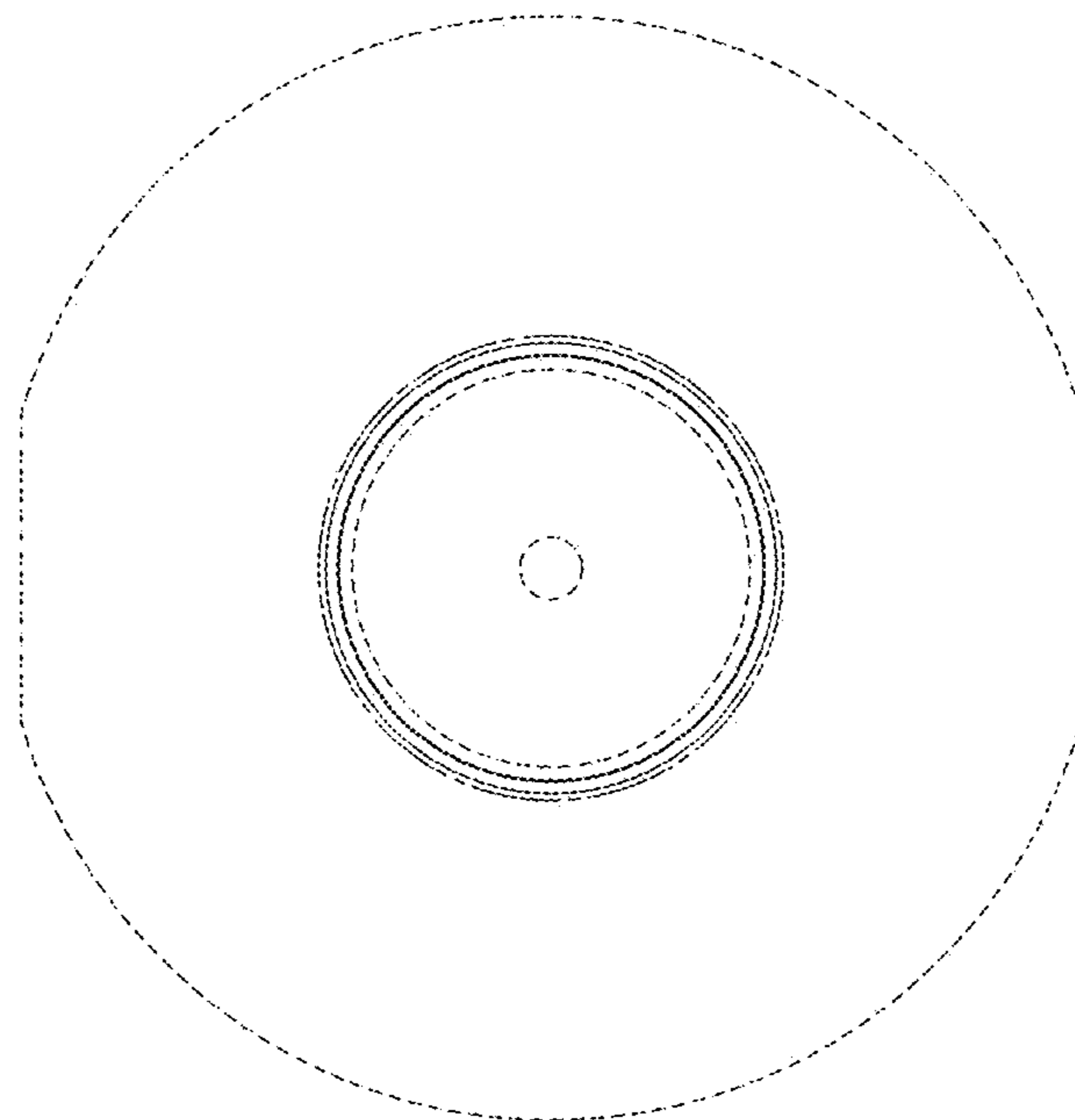


Fig. 5

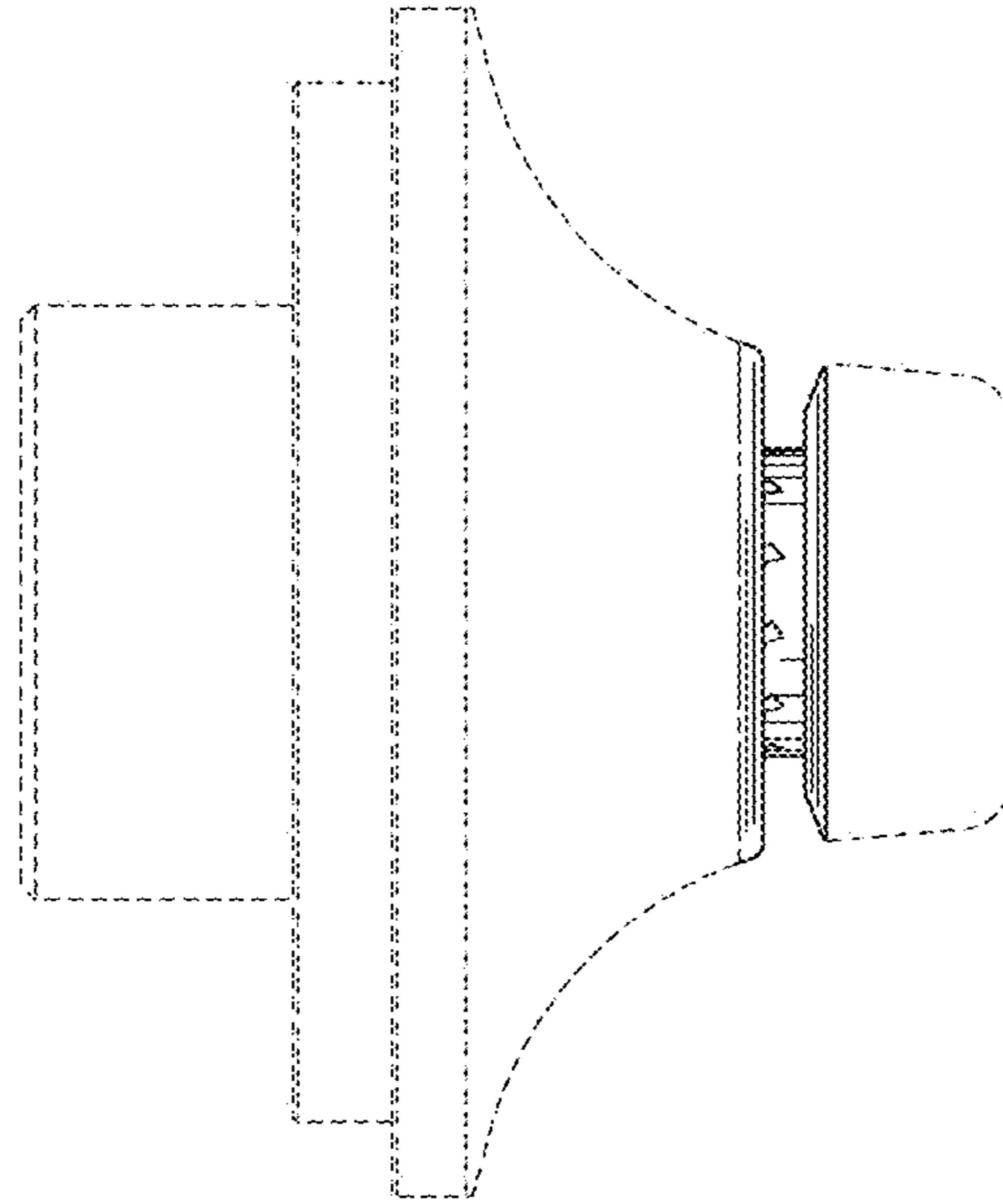


Fig. 6

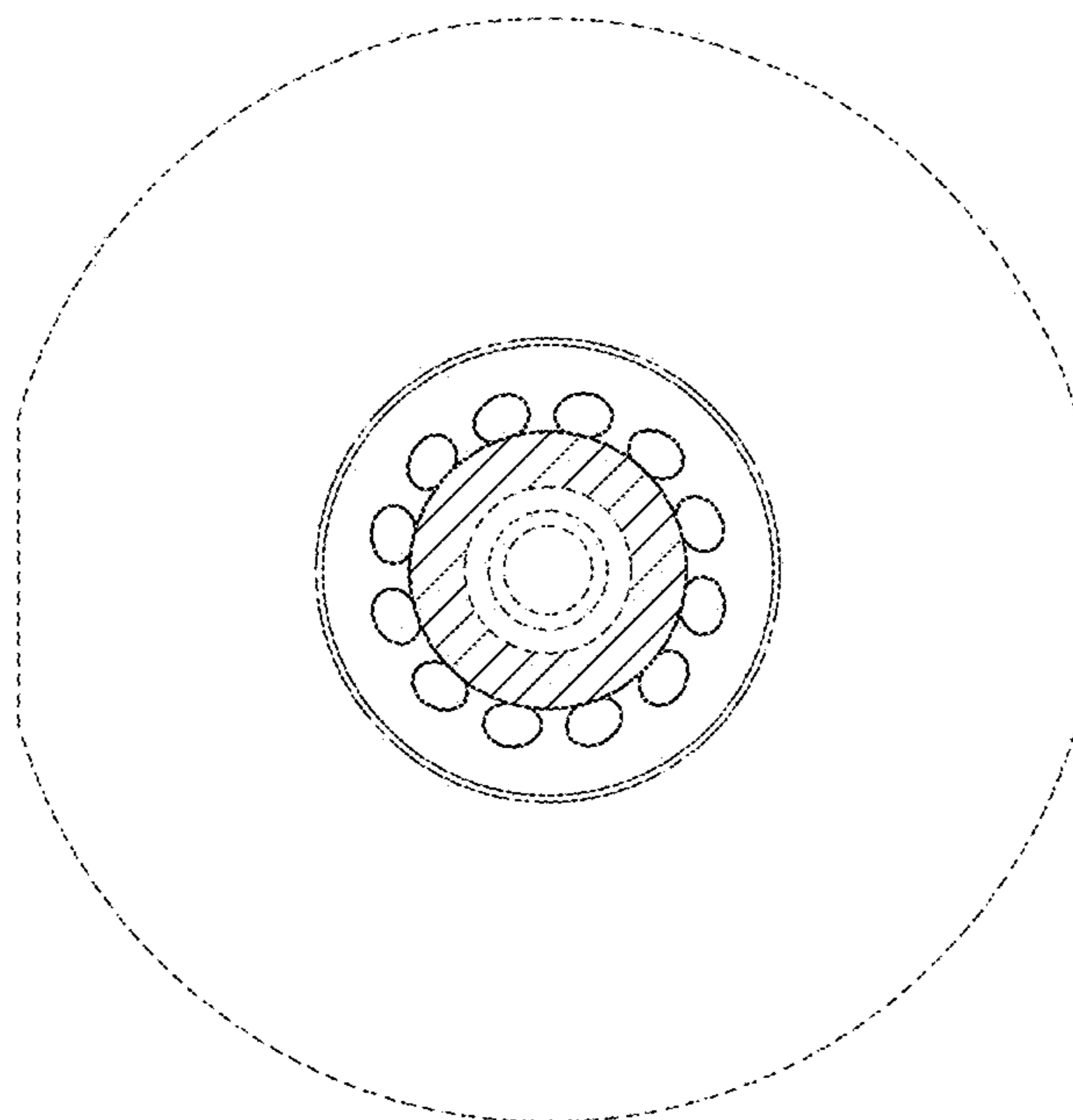


Fig.7

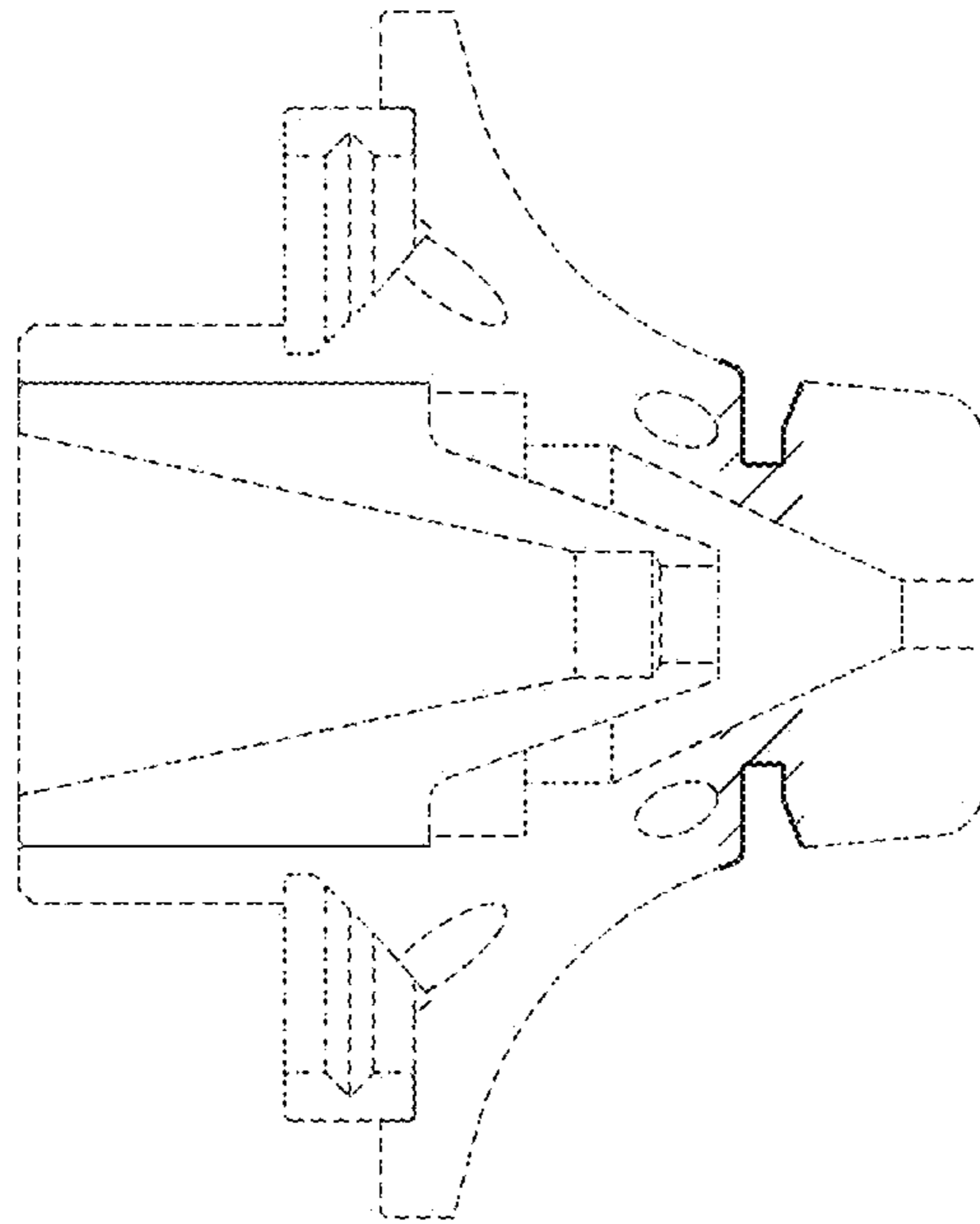


Fig.8

