



US00D930056S

(12) **United States Design Patent**
Liao et al.

(10) **Patent No.:** **US D930,056 S**

(45) **Date of Patent:** **** Sep. 7, 2021**

(54) **FLAT DRILL BIT**

(71) Applicants: **Chung Liang Liao**, Taichung (TW);
Jen Sheng Liao, Taichung (TW);
Chung Hung Liao, Taichung (TW)

(72) Inventors: **Chung Liang Liao**, Taichung (TW);
Jen Sheng Liao, Taichung (TW);
Chung Hung Liao, Taichung (TW)

(**) Term: **15 Years**

(21) Appl. No.: **29/719,033**

(22) Filed: **Dec. 31, 2019**

(51) **LOC (13) Cl.** **15-09**

(52) **U.S. Cl.**
USPC **D15/139**

(58) **Field of Classification Search**
USPC D8/20, 68-70, 98, 99, 385, 395; D15/19,
D15/21, 131-133, 138, 139
CPC B23B 2251/02; B23B 2251/241; B23B
2251/404; Y10T 408/78; Y10T 408/89;
Y10T 408/909; Y10T 408/9095; Y10T
408/9097

See application file for complete search history.

(56) **References Cited**

U.S. PATENT DOCUMENTS

D526,670 S * 8/2006 Ibey D15/139
D580,462 S * 11/2008 Liao D15/139
D585,920 S * 2/2009 Liao D15/139
D709,111 S * 7/2014 Liao D15/139
D863,384 S * 10/2019 Weber D15/139

D872,144 S * 1/2020 Kulig D15/139
D872,783 S * 1/2020 Parendo D15/139
D881,241 S * 4/2020 Parendo D15/139
D890,826 S * 7/2020 Howell D15/139
D892,183 S * 8/2020 Parendo D15/139
2009/0047085 A1* 2/2009 Liao B27G 15/00
408/230
2009/0142152 A1* 6/2009 Liao B27G 15/00
408/225

* cited by examiner

Primary Examiner — Michael C Stout

Assistant Examiner — Fritzgerald L Butac

(74) *Attorney, Agent, or Firm* — Rosenberg, Klein & Lee

(57) **CLAIM**

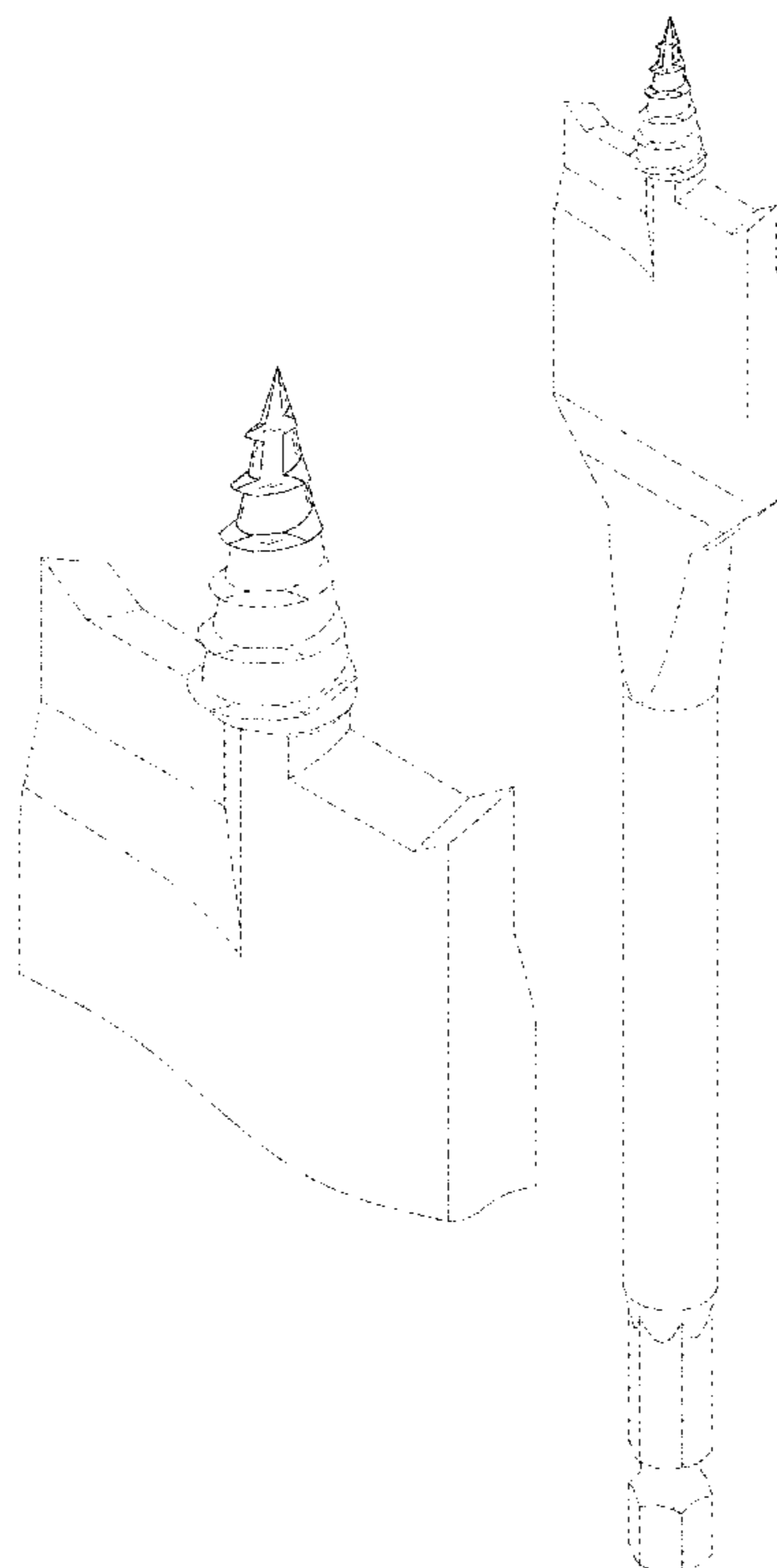
The ornamental design for a flat drill bit, as shown and described.

DESCRIPTION

FIG. 1 is a perspective view of a flat drill bit showing the new design;
FIG. 2 is a front elevational view thereof;
FIG. 3 is a rear elevational view thereof;
FIG. 4 is a left side elevation view thereof;
FIG. 5 is a right side elevation view thereof;
FIG. 6 is a top plan view thereof; and,
FIG. 7 is a perspective view of a flat drill bit as a whole thereof.

The evenly-spaced broken lines illustrate portions of the flat drill bit that form no part of the claimed design.

1 Claim, 6 Drawing Sheets



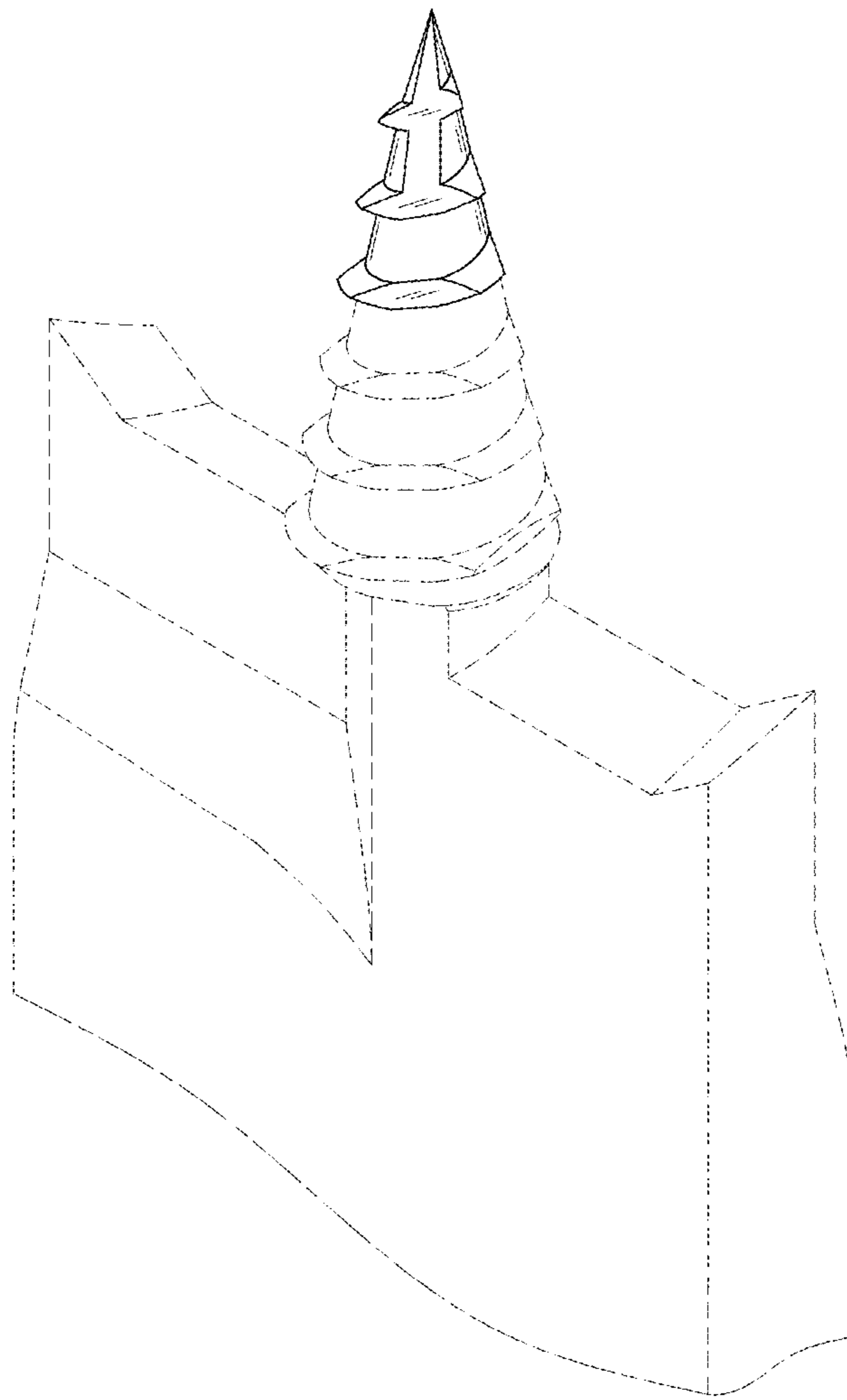


FIG. 1

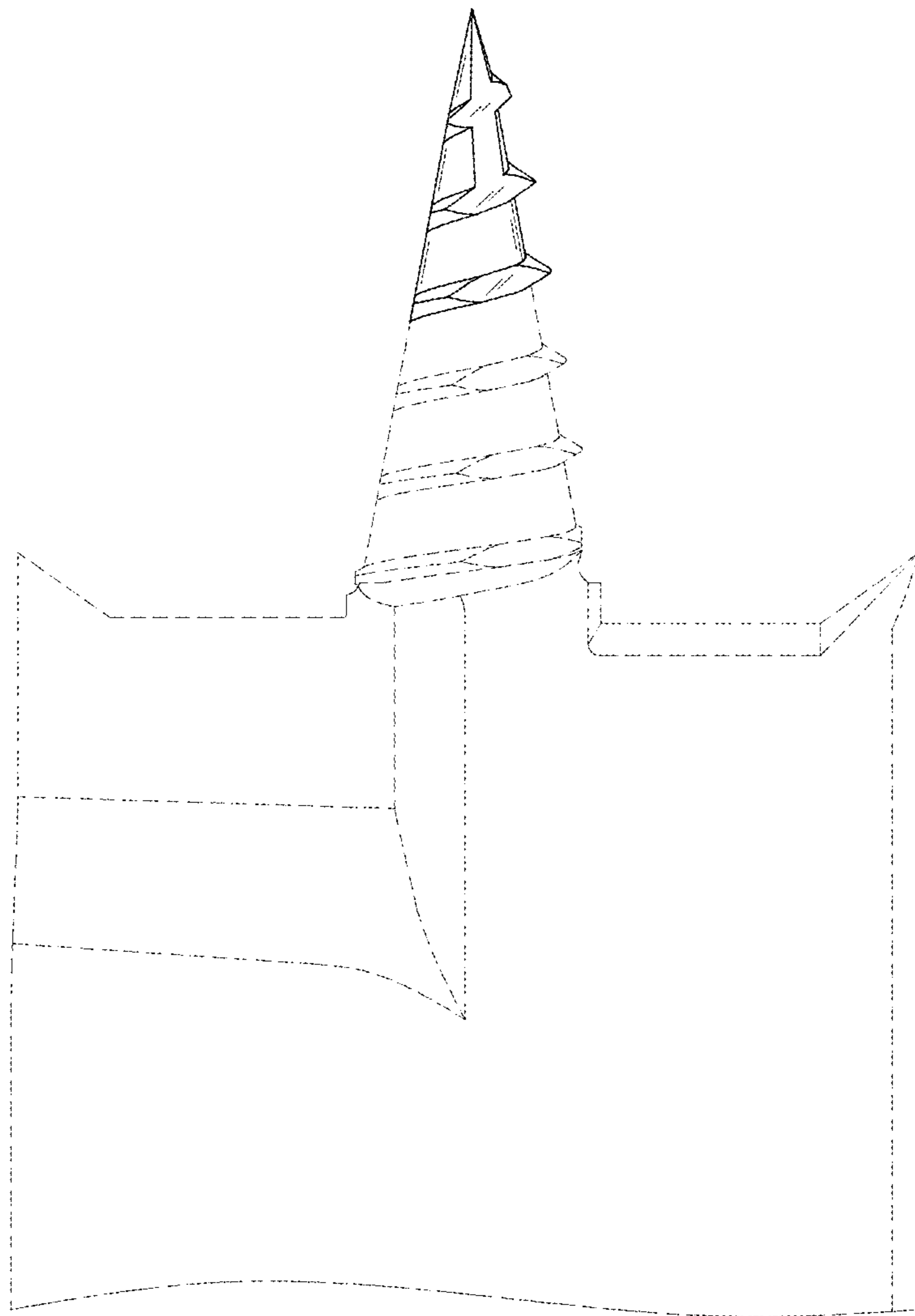


FIG. 2

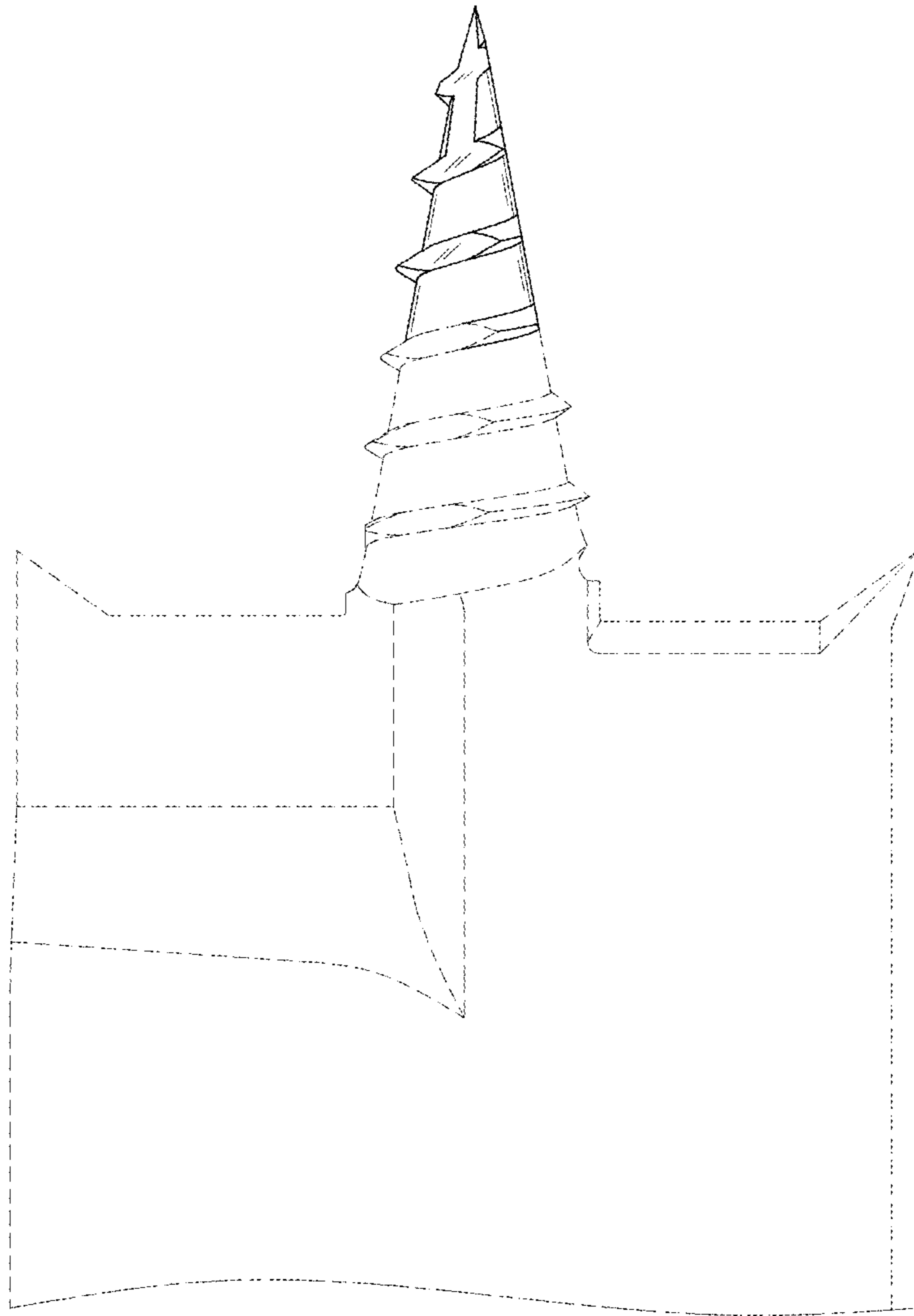


FIG. 3

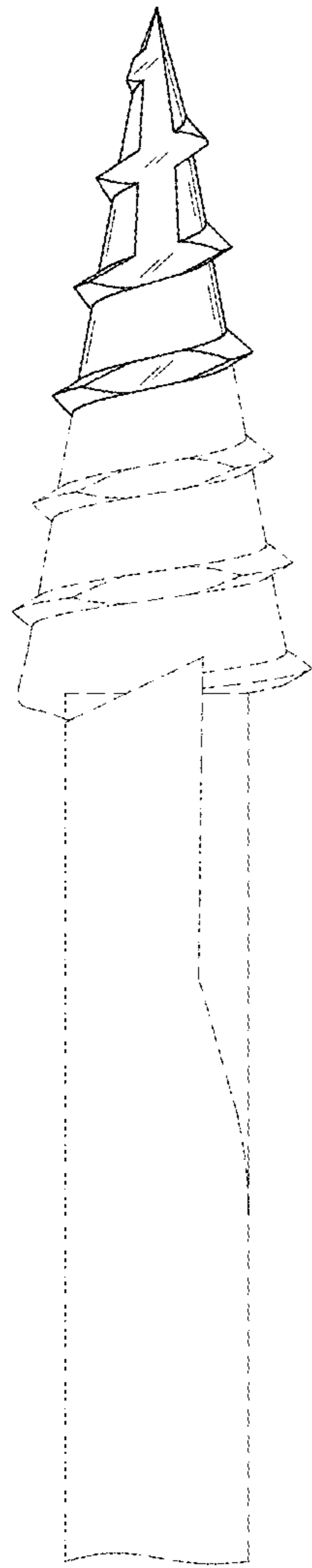


FIG. 4

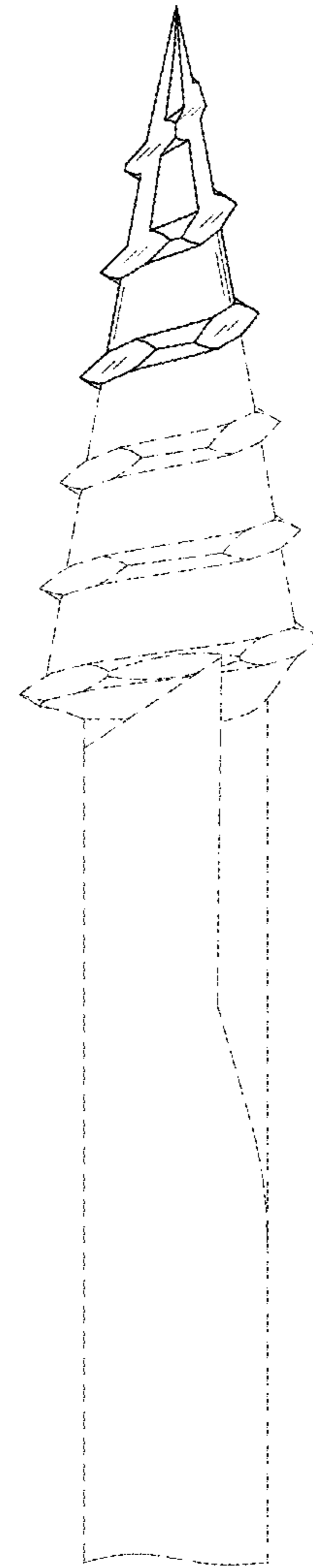


FIG. 5

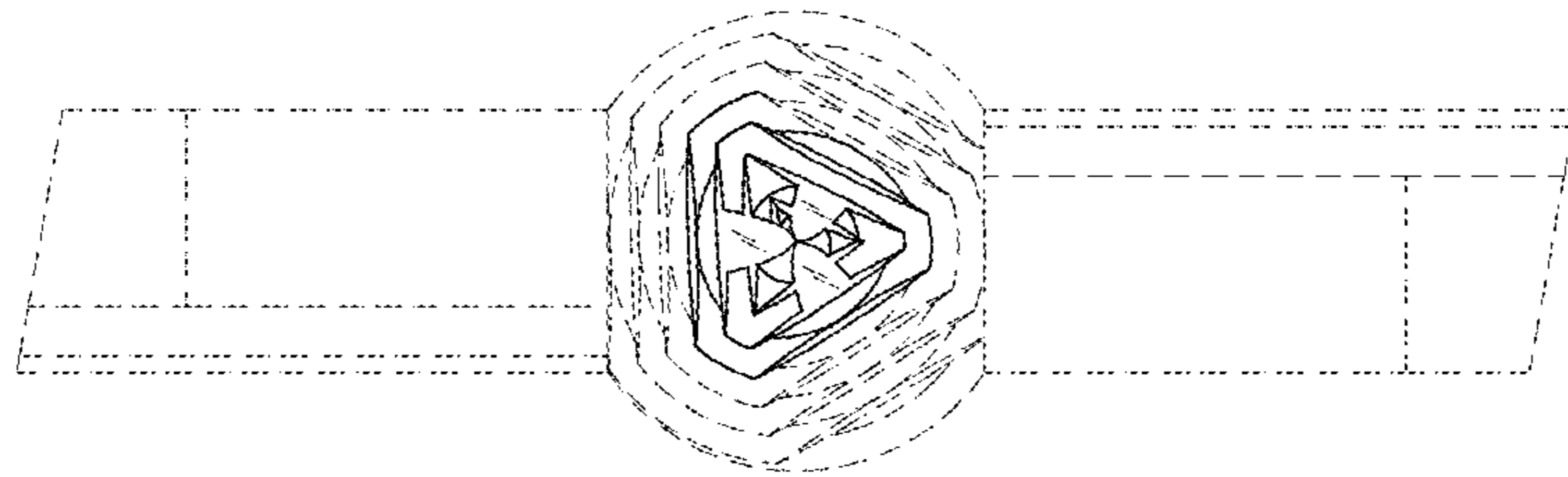


FIG. 6

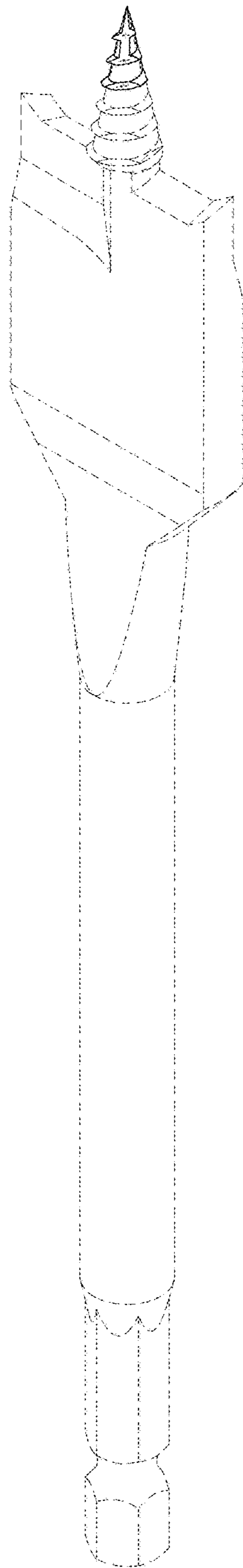


FIG. 7