



US00D930055S

(12) **United States Design Patent** (10) **Patent No.:** **US D930,055 S**
Oshima et al. (45) **Date of Patent:** **** Sep. 7, 2021**

(54) **THREE-DIMENSIONAL PRINTER**

(71) Applicant: **KANTATSU CO., LTD.**, Tochigi (JP)

(72) Inventors: **Eiji Oshima**, Yaita (JP); **Tomohiro Okata**, Yaita (JP)

(**) Term: **15 Years**

(21) Appl. No.: **35/507,748**

(22) Filed: **Oct. 11, 2018**

(80) **Hague Agreement Data**

Int. Filing Date: **Oct. 11, 2018**

Int. Reg. No.: **DM/203922**

Int. Reg. Date: **Oct. 11, 2018**

Int. Reg. Pub. Date: **Nov. 15, 2019**

(30) **Foreign Application Priority Data**

Apr. 11, 2008 (JP) 2018-008024

Apr. 11, 2018 (JP) 2018-008023

Apr. 11, 2018 (JP) 2018-008025

Apr. 11, 2018 (JP) 2018-008026

(51) **LOC (13) Cl.** **15-09**

(52) **U.S. Cl.**

USPC **D15/122**

CPC **B29C 64/00 (2017.08)**

(58) **Field of Classification Search**

USPC D15/122, 135, 138; D18/6-7, 14, 19, 50,
D18/54.1

CPC B29C 67/0062; B29C 67/0055; B29C
67/0088; B29C 64/00; B41J 2/17506

See application file for complete search history.

(56) **References Cited**

U.S. PATENT DOCUMENTS

8,708,685 B2 * 4/2014 Hickerson B29C 64/268
425/174.4

D732,586 S * 6/2015 Chen D15/122

D732,587 S * 6/2015 Hsu D15/122

D732,588 S * 6/2015 Lin D15/122

(Continued)

Primary Examiner — Richard E Chilcot

(74) *Attorney, Agent, or Firm* — Hamre, Schumann,
Mueller & Larson, P.C.

(57) **CLAIM**

The ornamental design for a three-dimensional printer, as shown and described.

DESCRIPTION

1.1 is a perspective of a three dimensional printer according to an embodiment.

1.2 is a front view thereof.

1.3 is a back view thereof.

1.4 is a top view thereof.

1.5 is a bottom view thereof.

1.6 is a left side view thereof.

1.7 is a right side view thereof.

1.8 is a sectional view thereof.

1.9 is a perspective view of a three dimensional printer according to another embodiment.

1.10 is a front view thereof.

1.11 is a rear view thereof.

1.12 is a right side view thereof.

1.13 is a left side view thereof.

1.14 is a top plan view thereof.

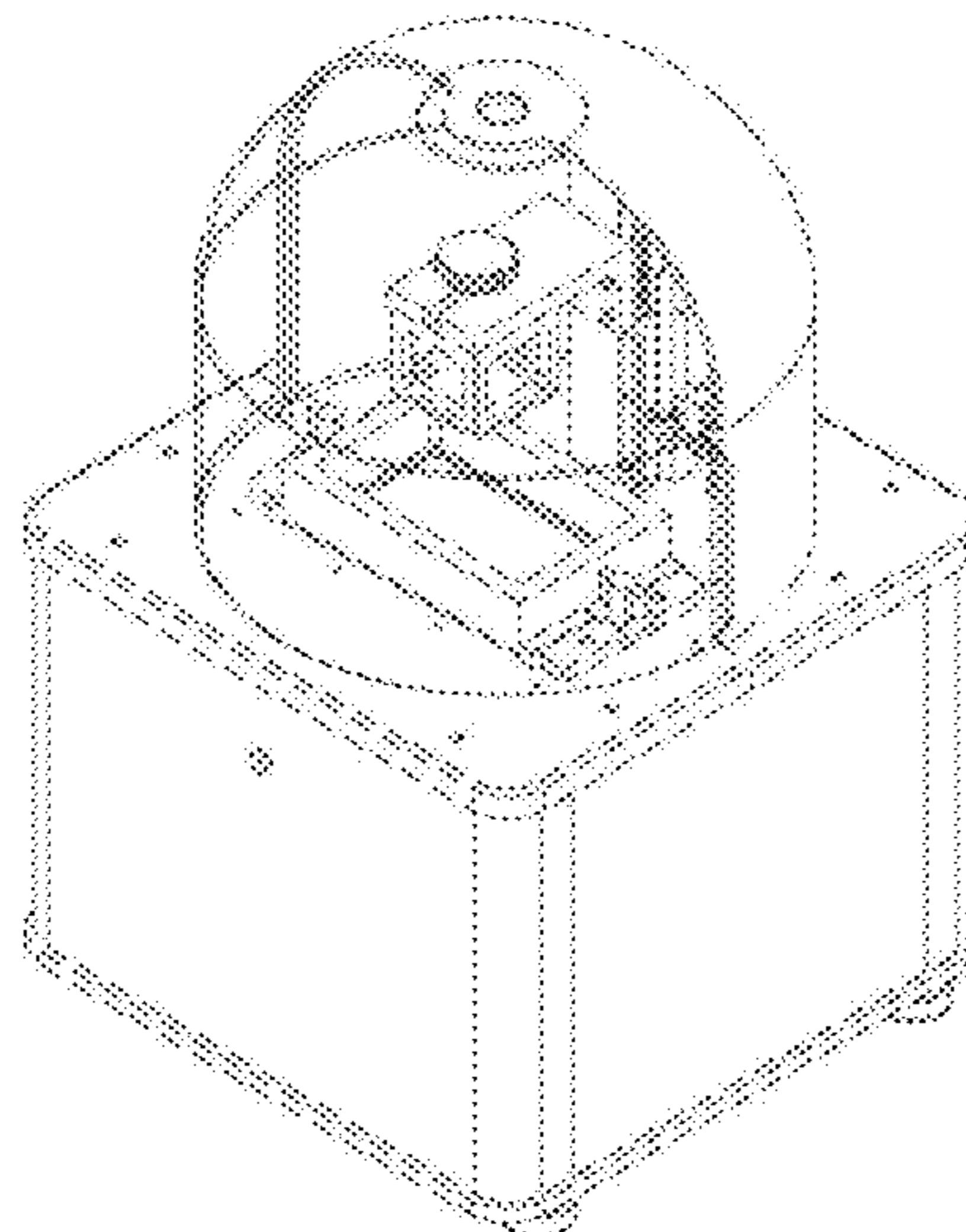
1.15 is a perspective view thereof showing the transparent covering in a partially opened position.

1.16 is a perspective view thereof showing the transparent covering an opened position.

1.17 is a perspective view thereof showing further environmental subject matter. The further environmental subject matter forms no part of the claimed design.

The transparent cover on the upper side of the article can be opened or closed. Broken lines show environmental subject matter and form no part of the claimed design. The parts shown in light gray in the reference views are made of transparent material; the light gray shading itself shown in Figures 1.9-1.17 is provided only to indicate the transparent parts and forms no part of the claimed designs; Figure 1.8 is a crosssectional view taken along line A-A shown in Figures 1.2 and 1.10.

1 Claim, 17 Drawing Sheets



(56)

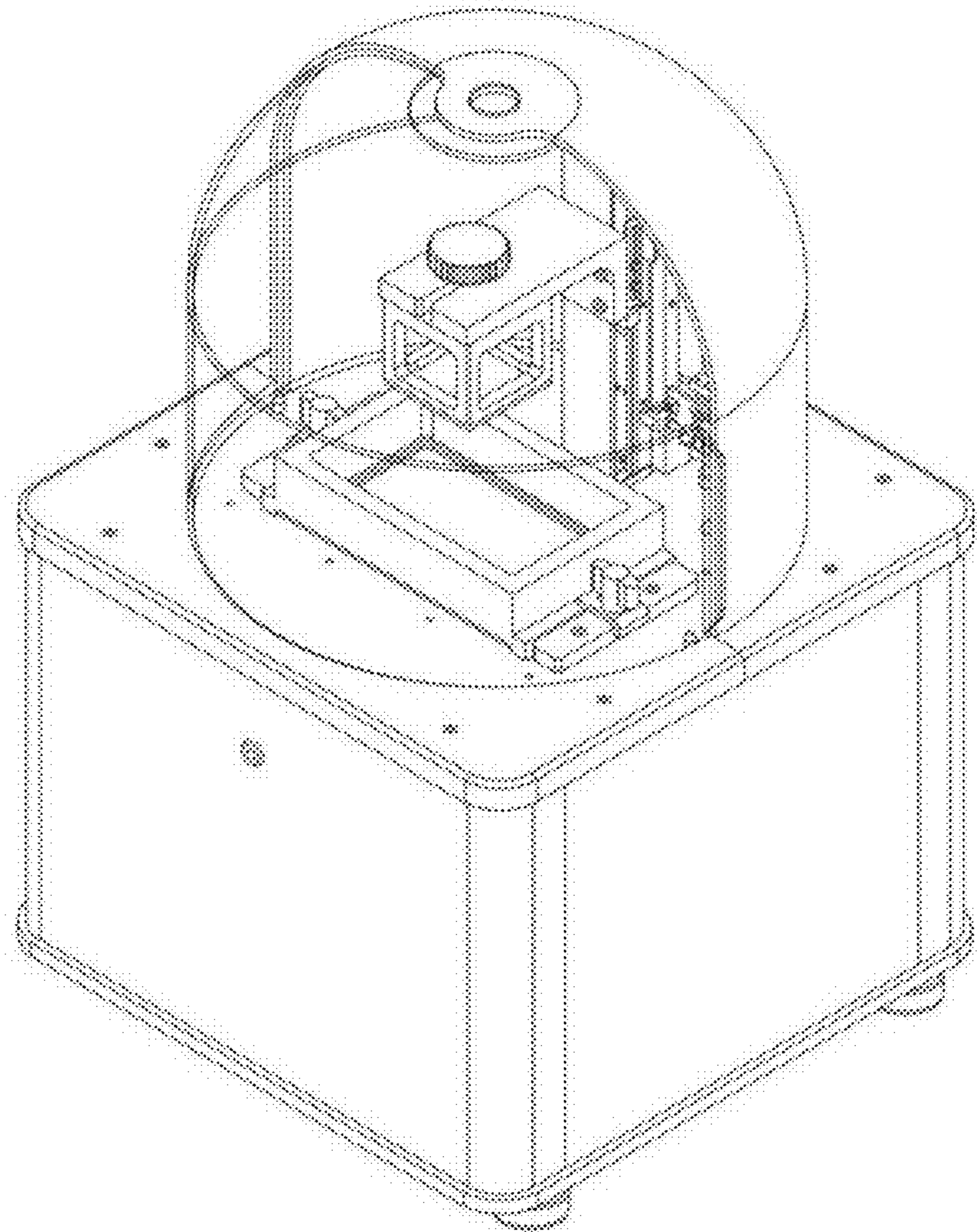
References Cited

U.S. PATENT DOCUMENTS

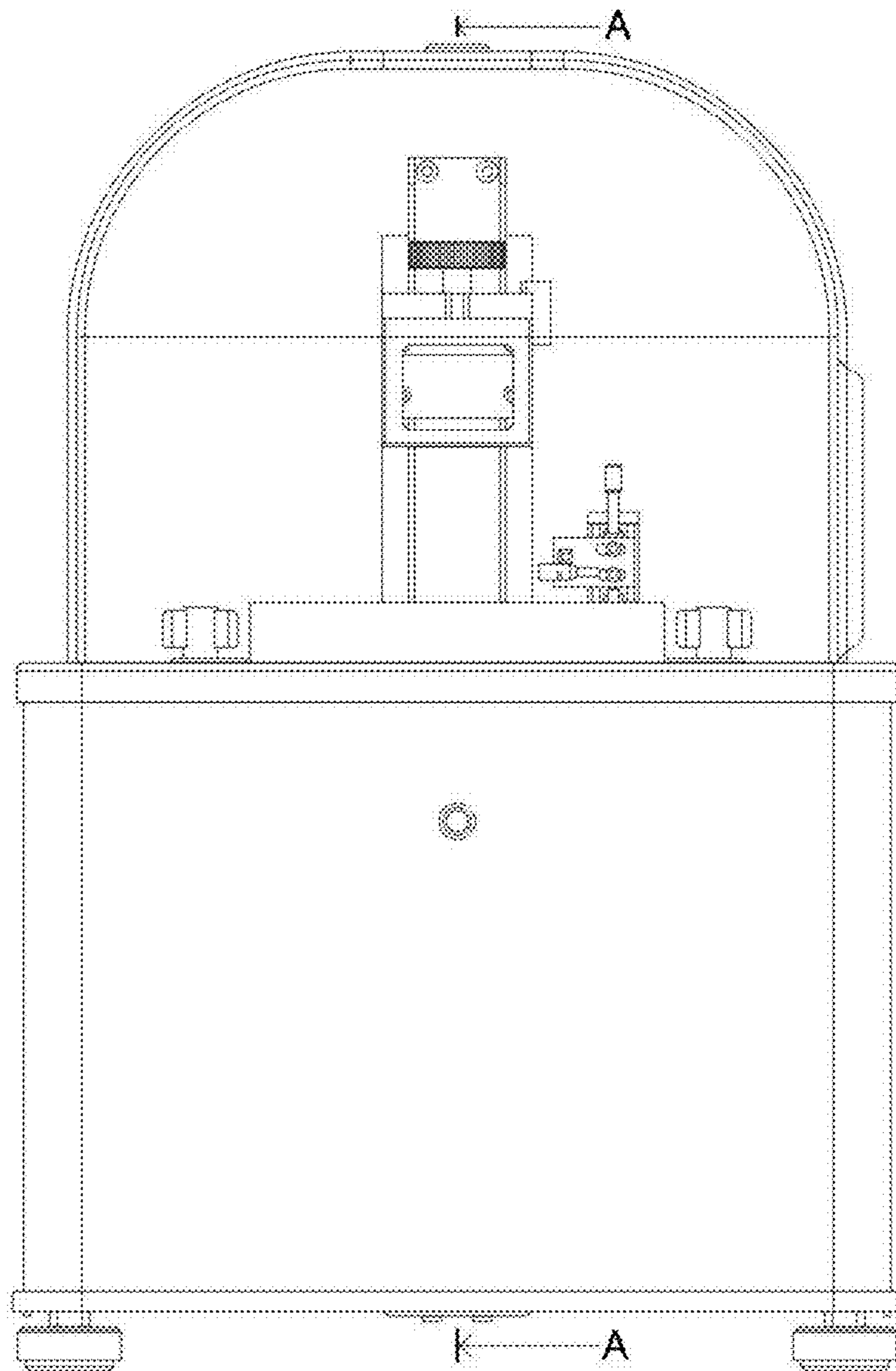
D733,196 S * 6/2015 Wolf D15/122
D734,814 S * 7/2015 Yeh D18/50
D738,410 S * 9/2015 Liu D15/122
D739,885 S * 9/2015 Lee D15/122
9,126,367 B1 * 9/2015 Mark B29C 64/386
D740,863 S * 10/2015 Kemperle D15/122
9,156,205 B2 * 10/2015 Mark B29C 64/209
9,174,453 B1 * 11/2015 Dodd B41J 2/17553
D745,069 S * 12/2015 Kemperle D15/122
D745,903 S * 12/2015 Armani D15/122
D746,881 S * 1/2016 Anantha D15/122
D749,153 S * 2/2016 Anantha D15/122
D749,154 S * 2/2016 Kemperle D15/122
D749,155 S * 2/2016 Kemperle D15/122
D749,157 S * 2/2016 Seidenberg D15/138
D752,661 S * 3/2016 Anantha D15/122
D762,750 S * 8/2016 Jiang D15/122
D777,810 S * 1/2017 Kao D15/122
D802,992 S * 11/2017 Wilson D7/376
D854,591 S * 7/2019 Gupta D15/122
D861,751 S * 10/2019 Bertash D15/122
D873,068 S * 1/2020 Wilson D7/376
10,632,432 B2 * 4/2020 Wilson B01F 13/0059

* cited by examiner

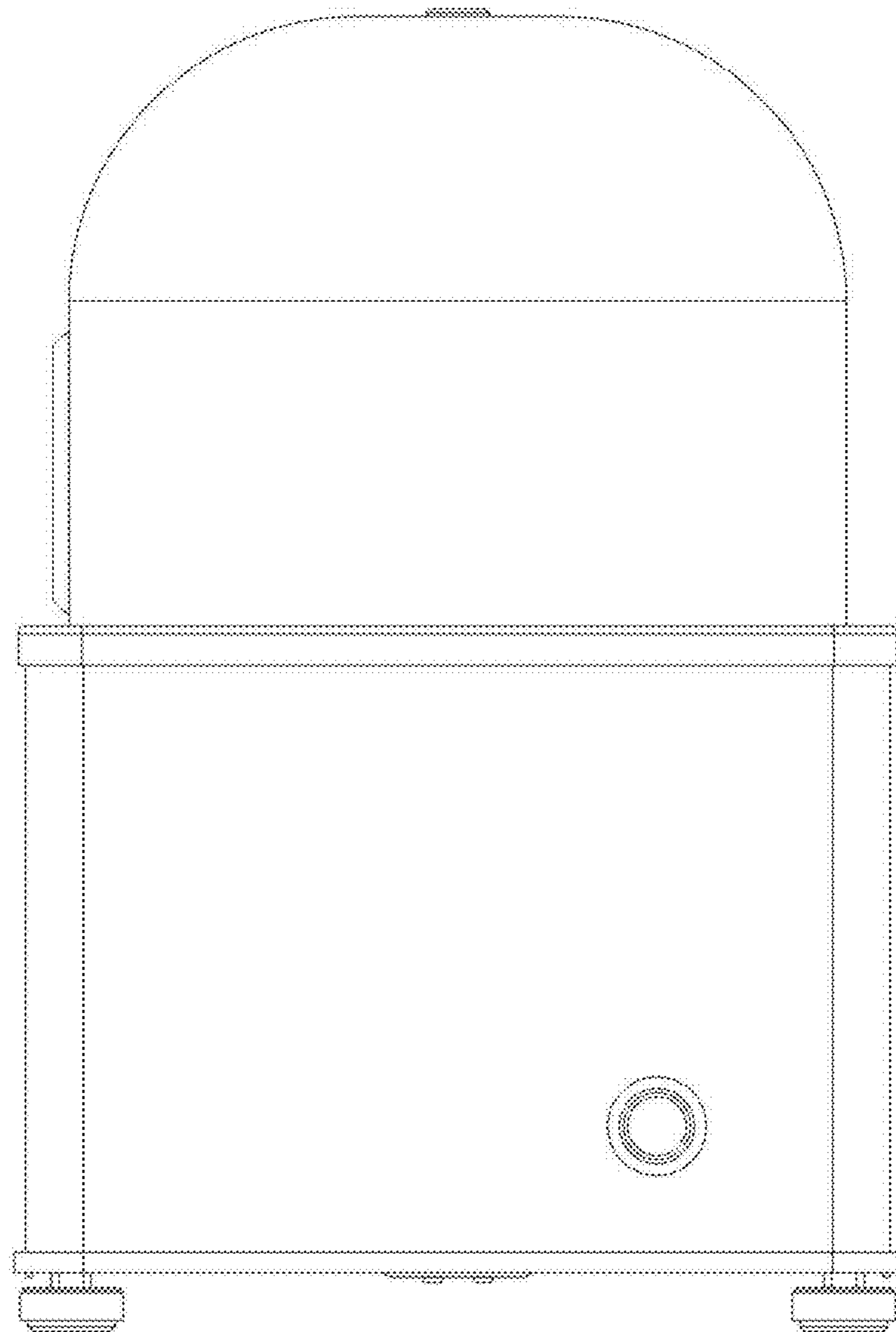
1.1



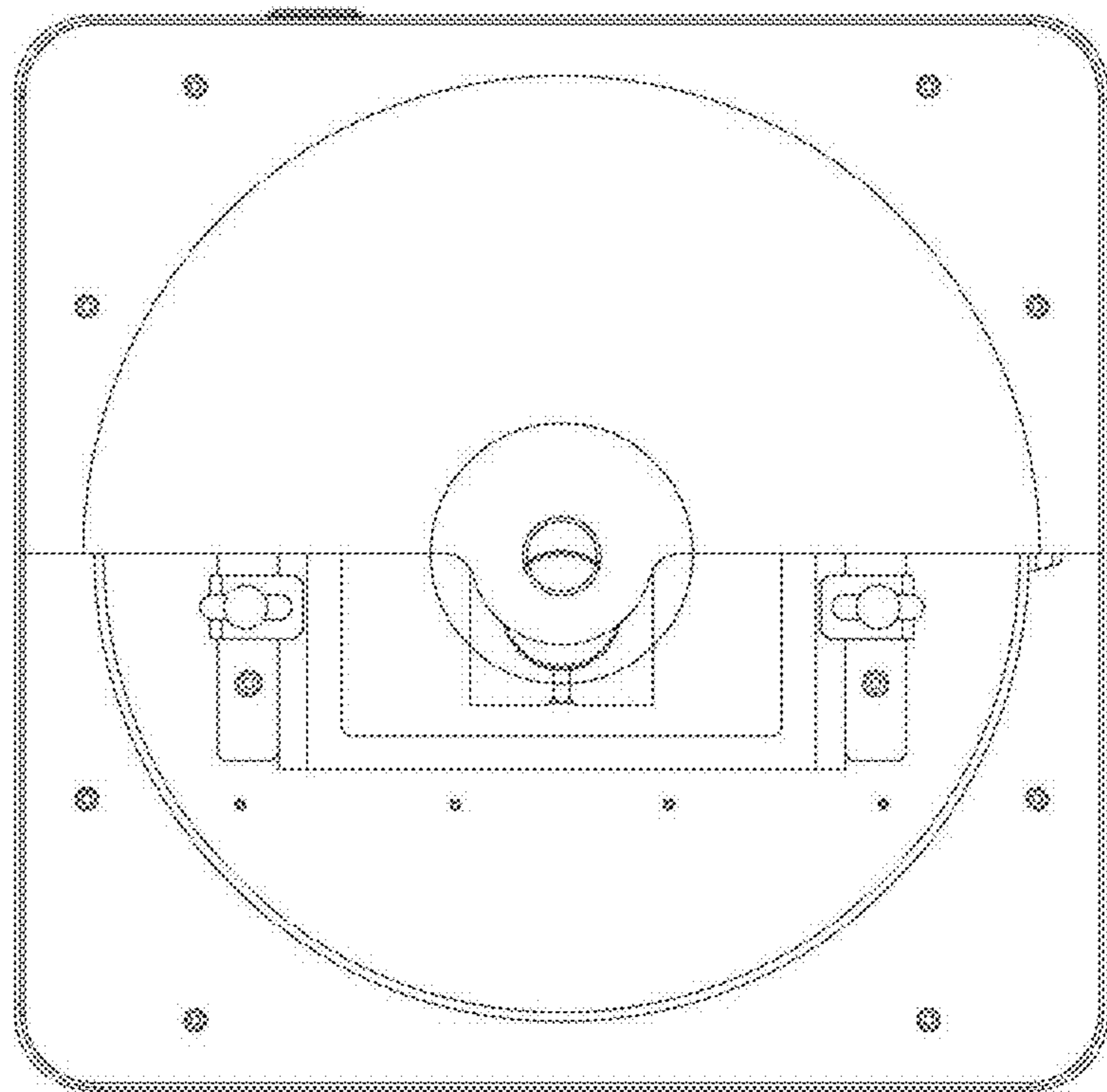
1.2



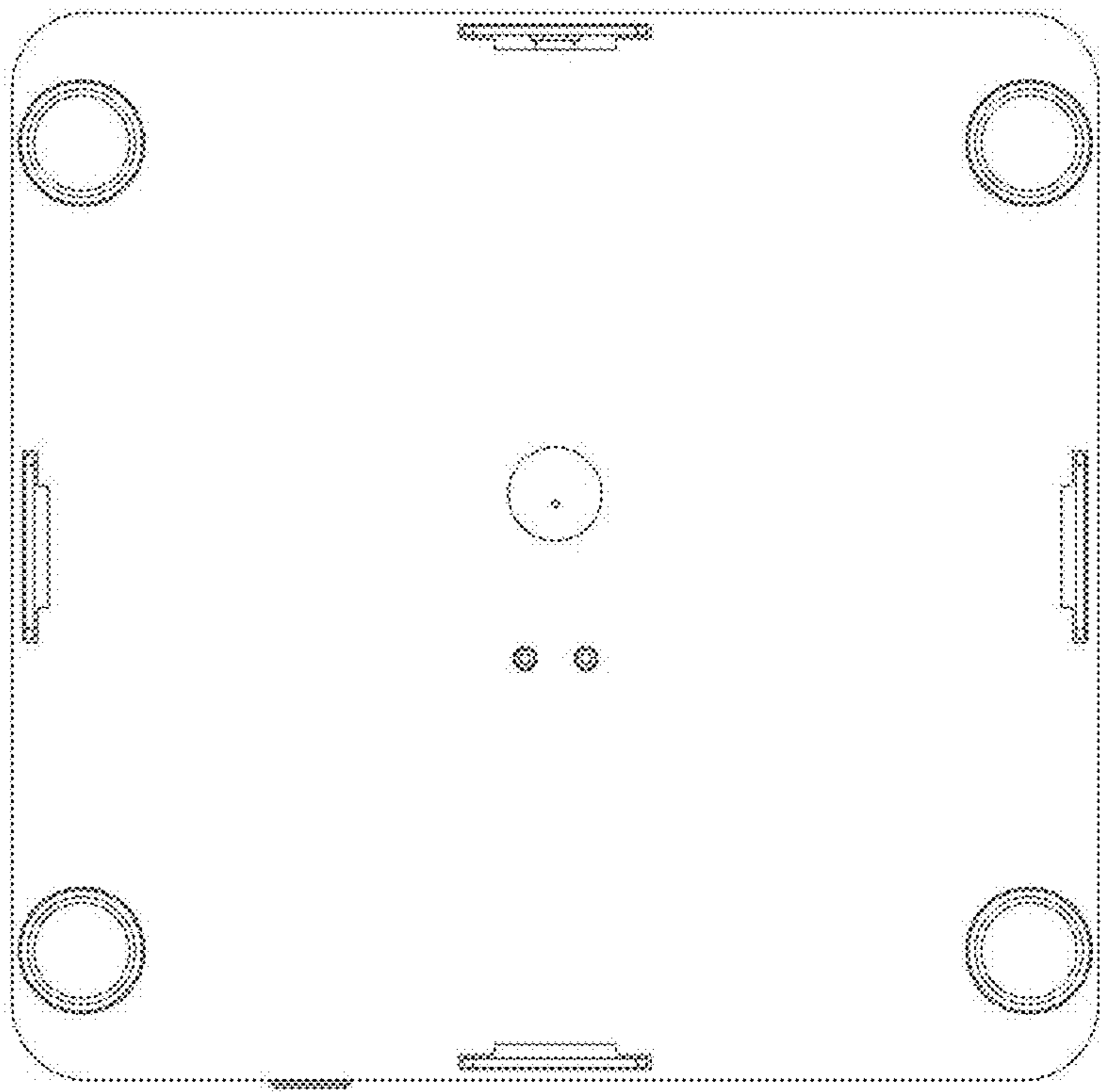
1.3



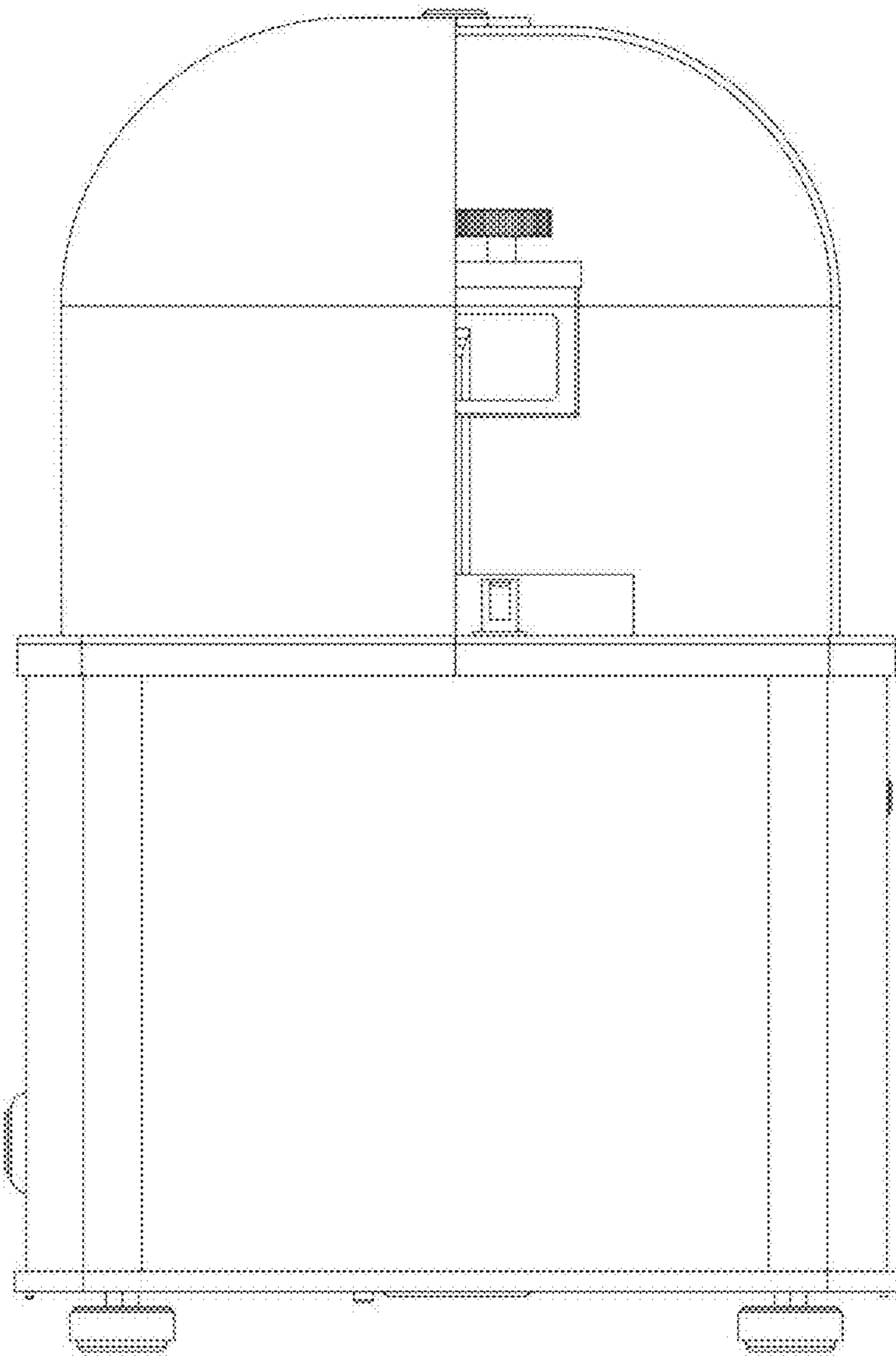
1.4



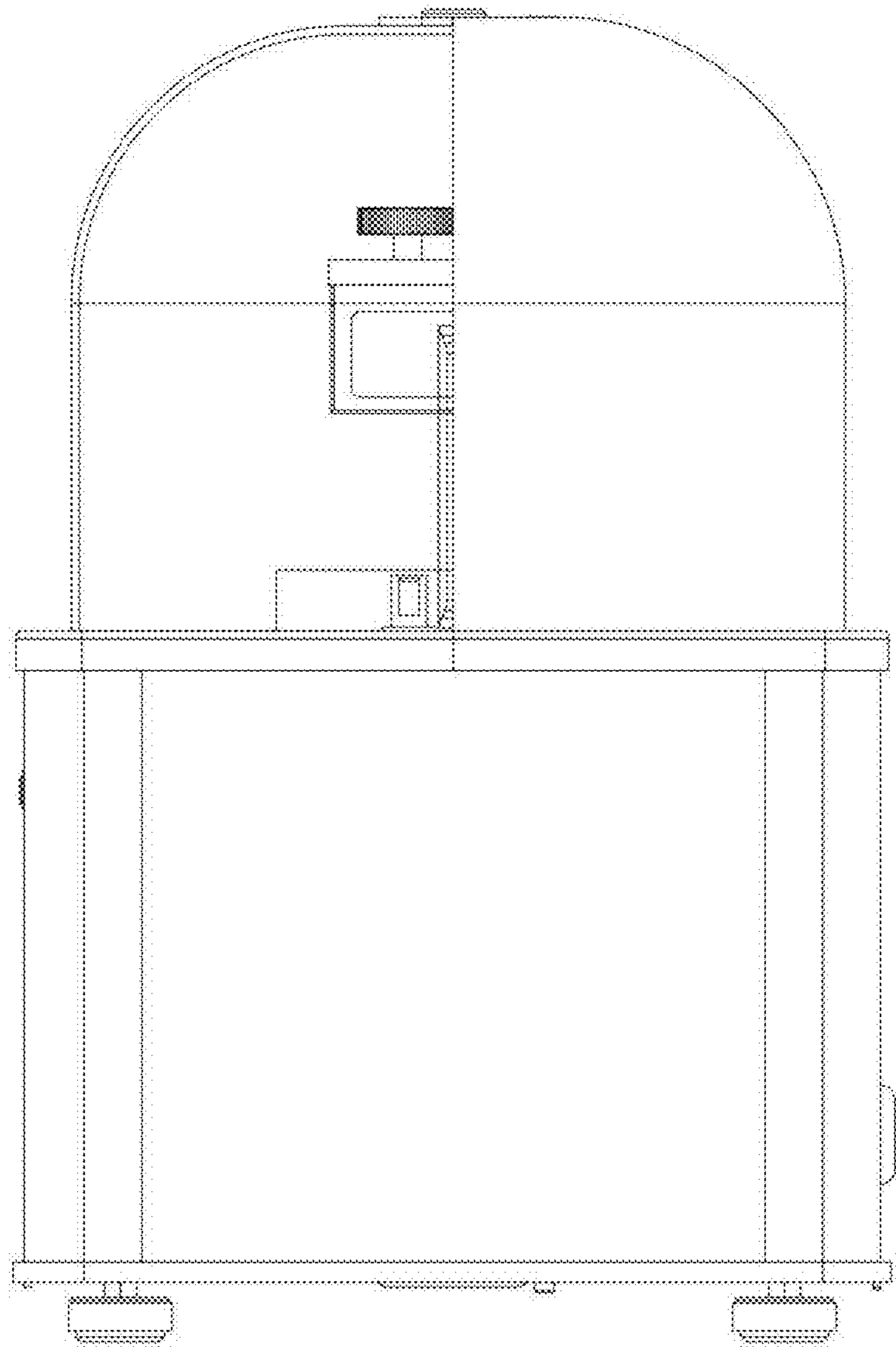
1.5



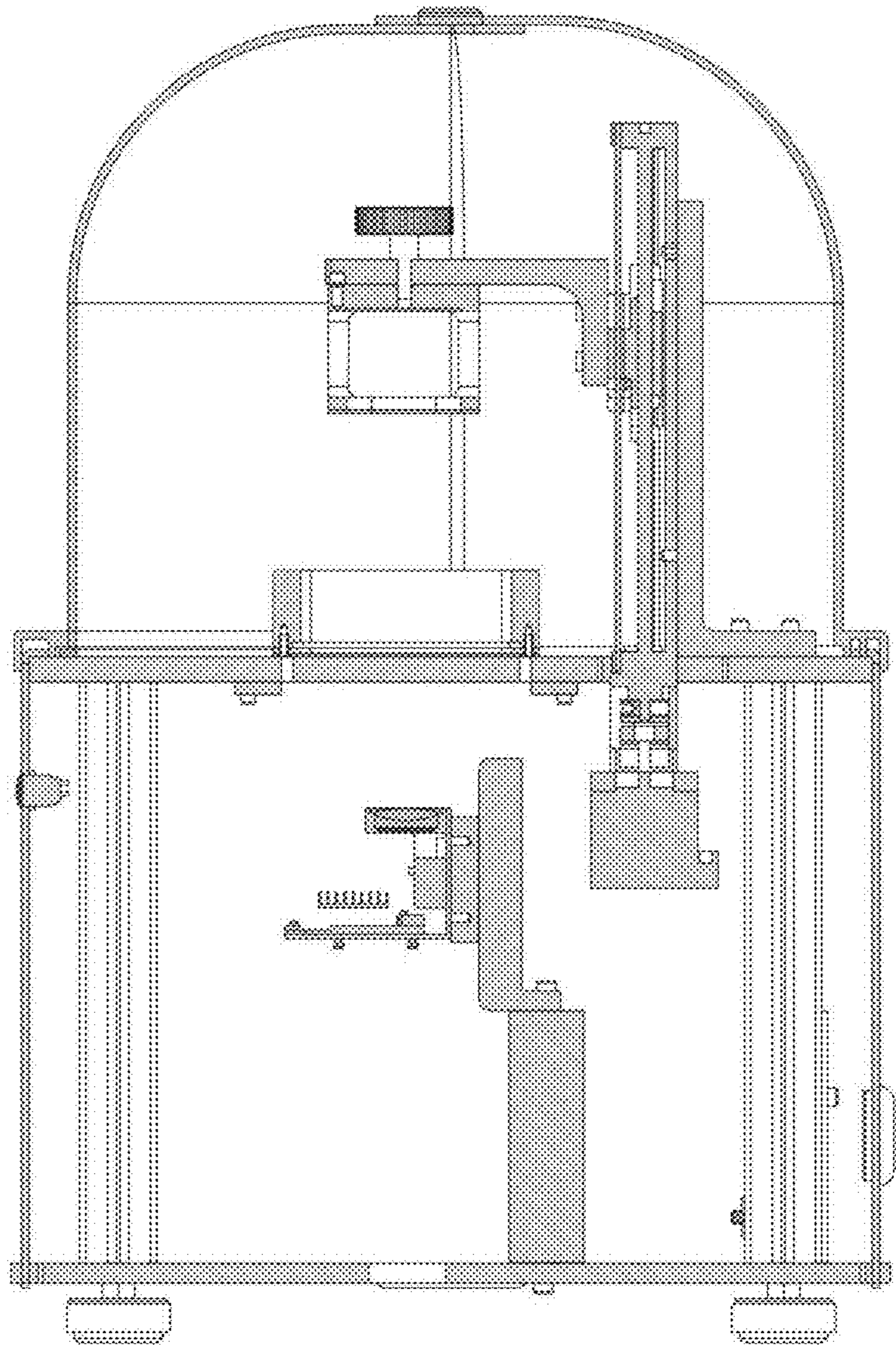
1.6



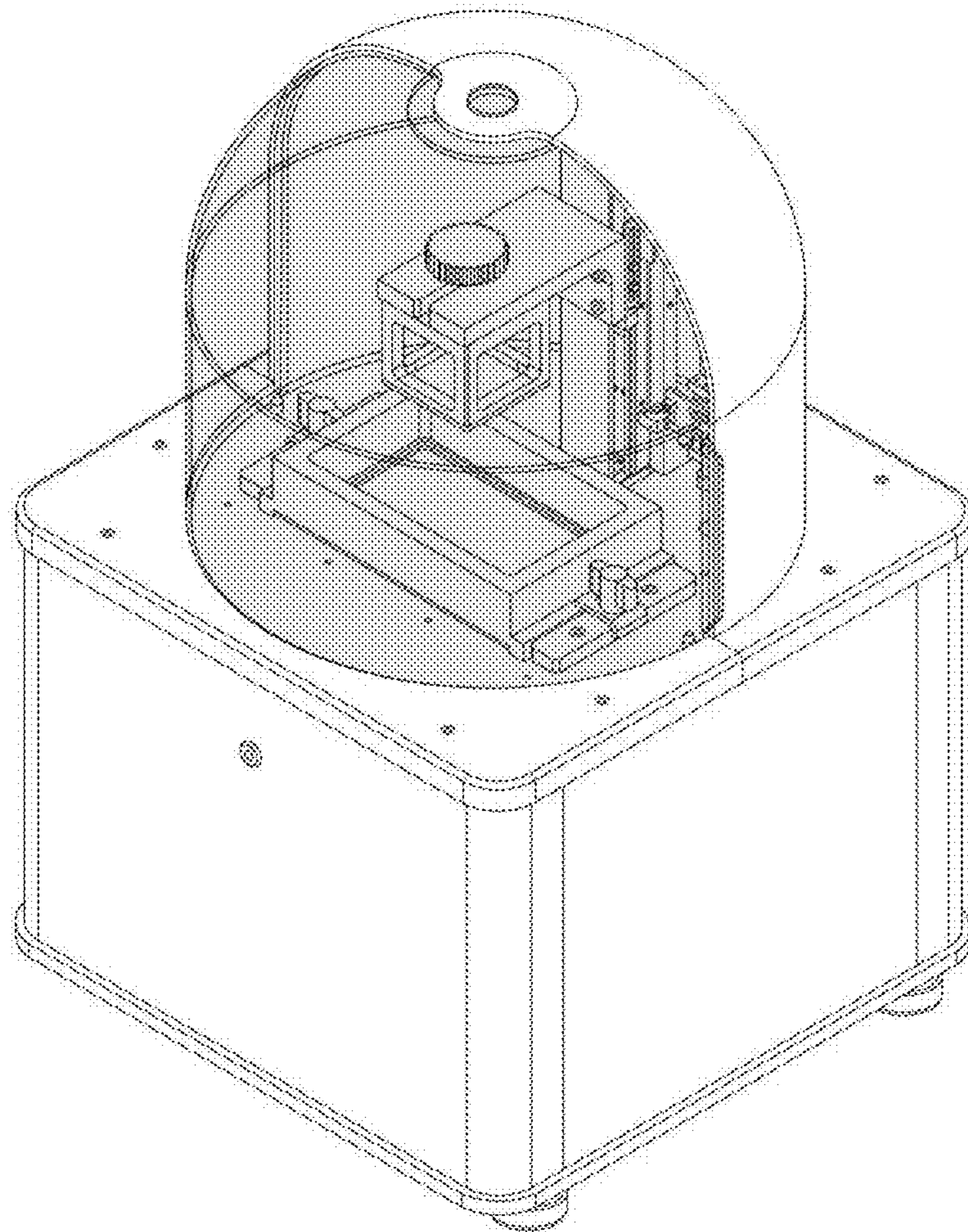
1.7



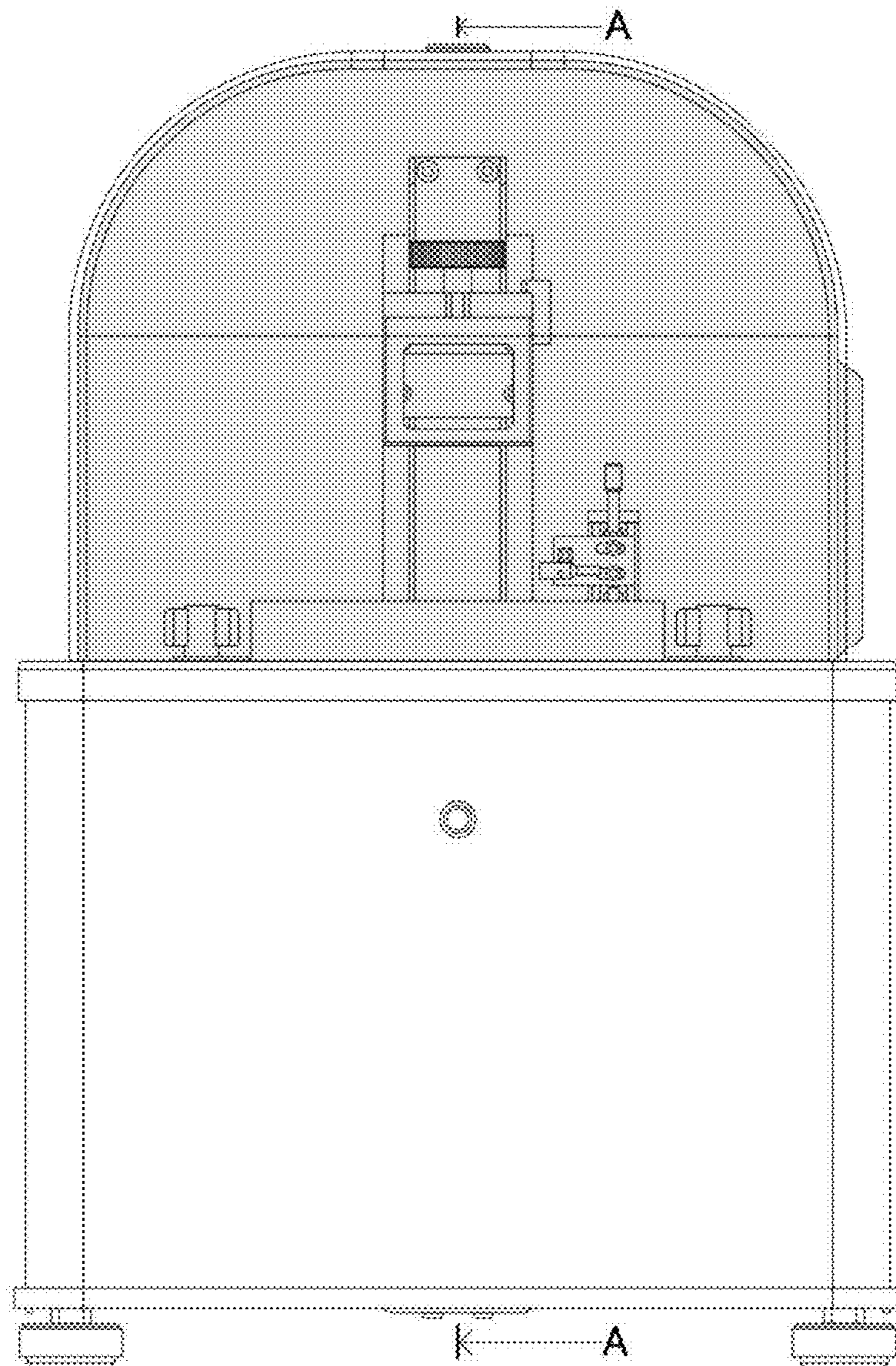
1.8



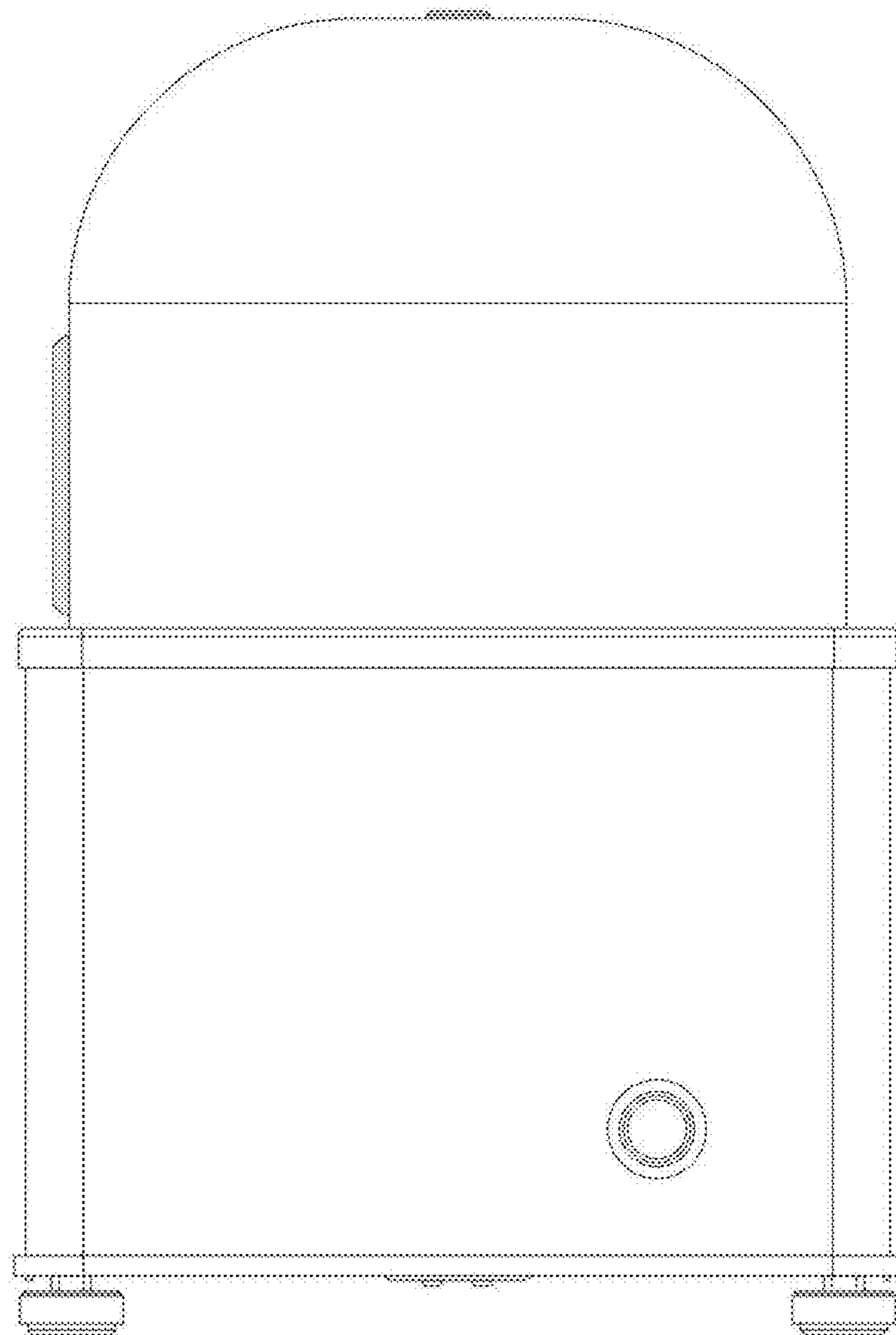
1.9



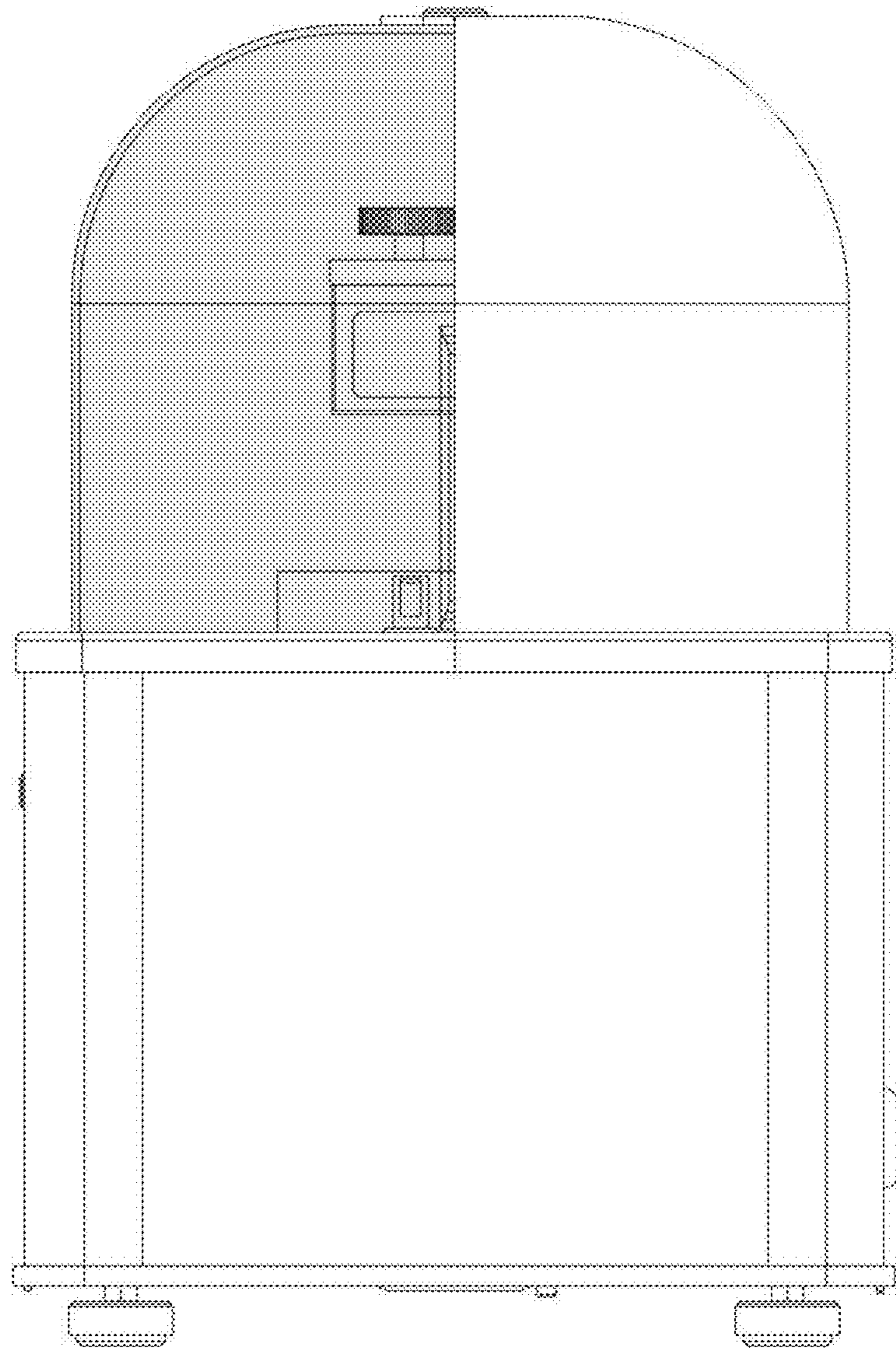
1.10



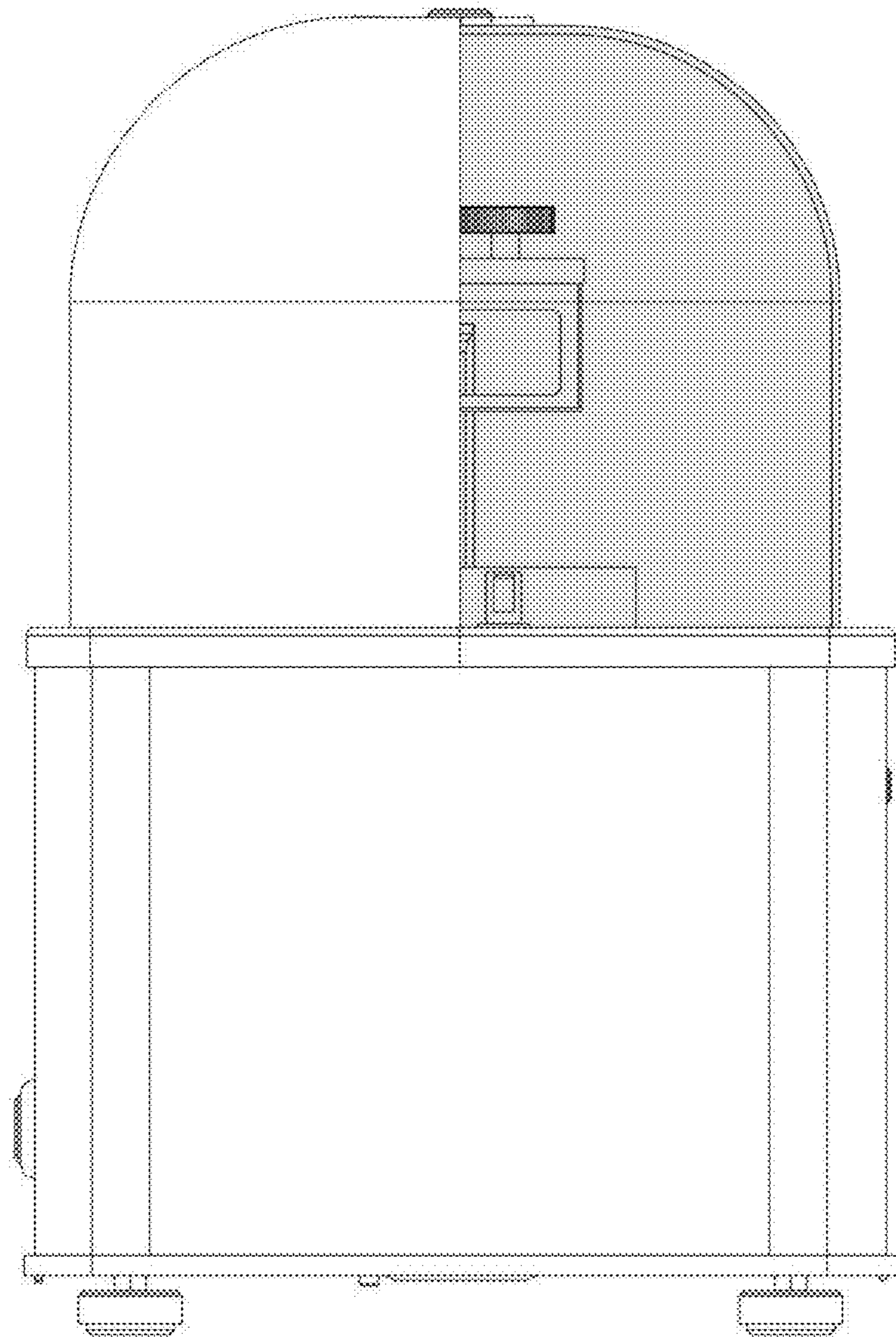
1.11



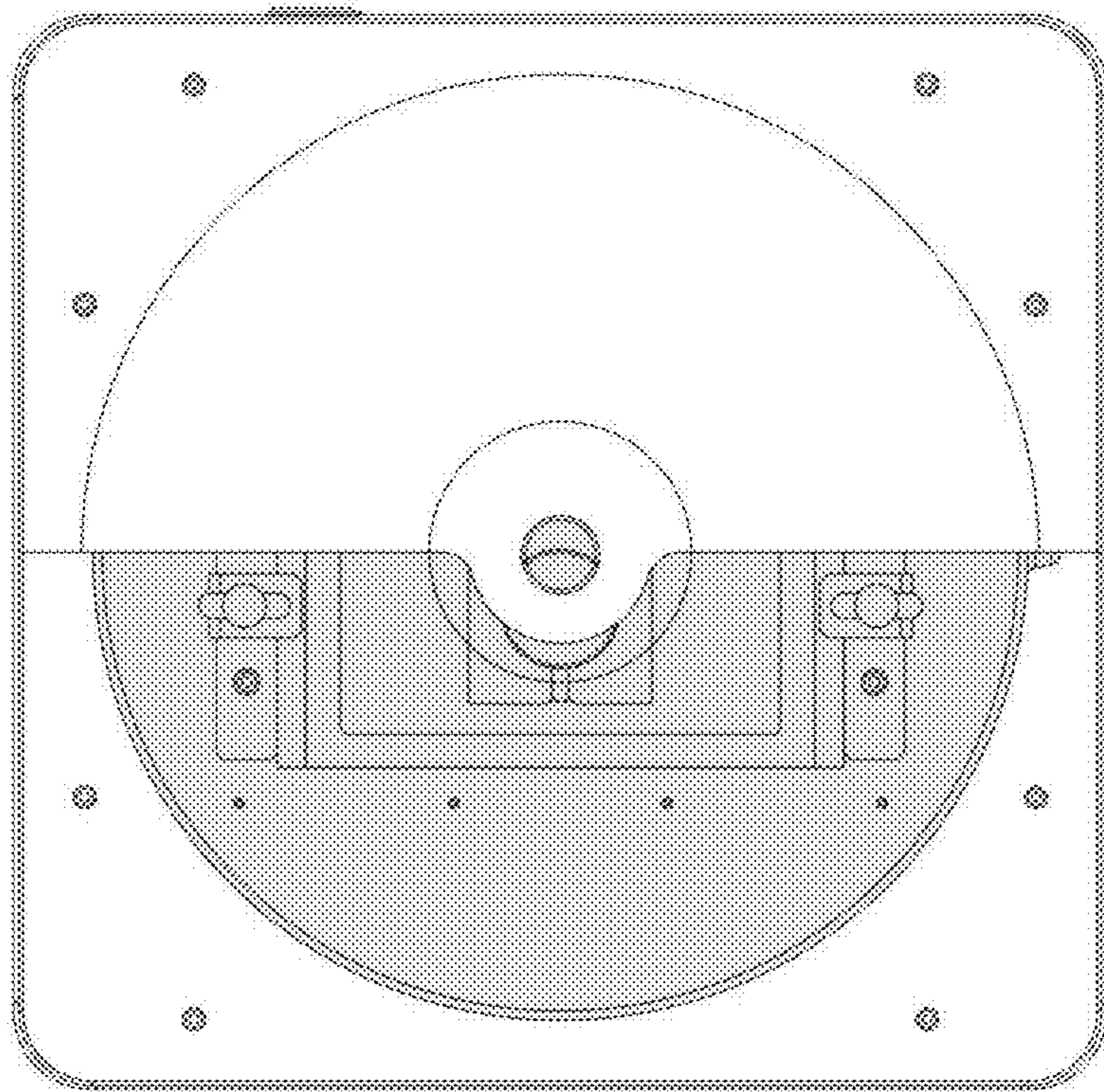
1.12



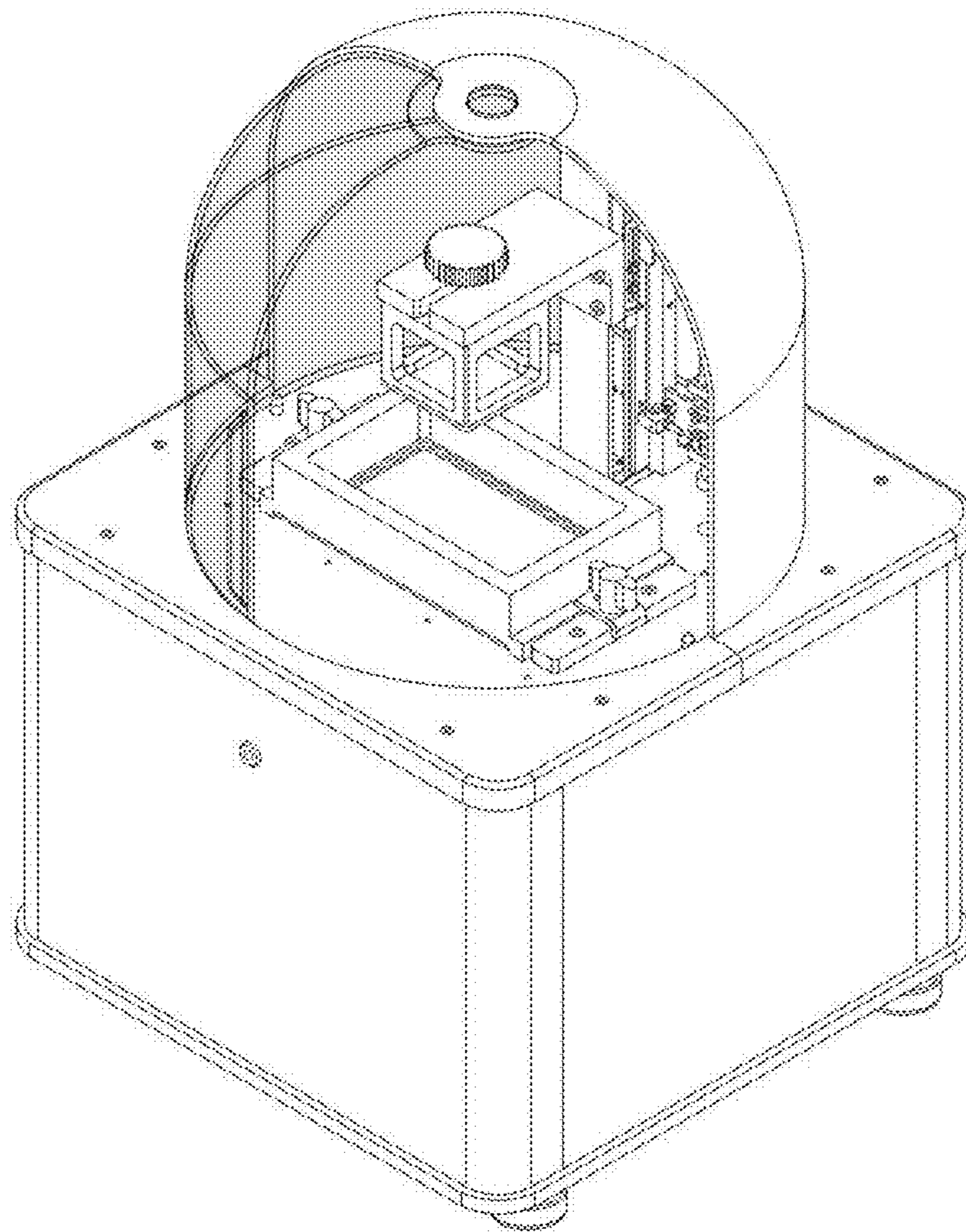
1.13



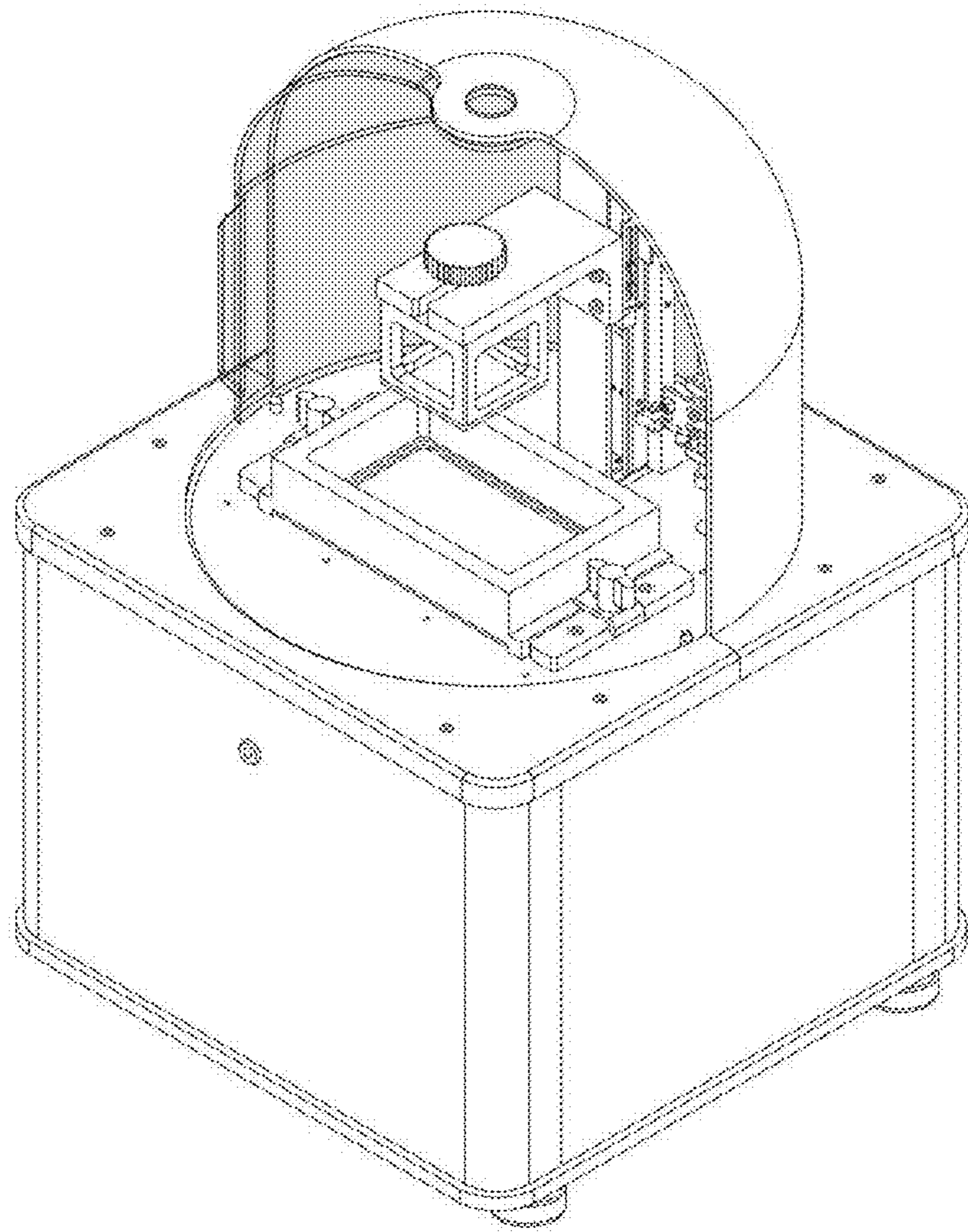
1.14



1.15



1.16



1.17

