



US00D930054S

(12) **United States Design Patent**
Bangalore Srinivas et al.

(10) **Patent No.:** **US D930,054 S**

(45) **Date of Patent:** **** Sep. 7, 2021**

(54) **APPARATUS FOR HANDLING GOODS**

(71) Applicant: **TATA CONSULTANCY SERVICES LIMITED**, Mumbai (IN)

(72) Inventors: **Venkatesh Prasad Bangalore Srinivas**, Bangalore (IN); **Venkat Raju Chintalapalli Patta**, Bangalore (IN); **Swagat Kumar**, Bangalore (IN)

(73) Assignee: **TATA CONSULTANCY SERVICES LIMITED**

(**) Term: **15 Years**

(21) Appl. No.: **29/696,659**

(22) Filed: **Jun. 28, 2019**

(30) **Foreign Application Priority Data**

Dec. 31, 2018 (IN) 313548-001

(51) **LOC (13) Cl.** **15-09**

(52) **U.S. Cl.**
USPC **D15/122; D15/145**

(58) **Field of Classification Search**
USPC D8/394; D15/122, 138, 145, 199;
D34/28, 34, 35

CPC B23P 21/00; B23P 21/004; B23Q 37/00;
B23Q 37/005; B23Q 37/007
See application file for complete search history.

(56) **References Cited**

U.S. PATENT DOCUMENTS

3,031,896 A * 5/1962 Walter B23Q 5/385
74/410
4,468,160 A * 8/1984 Campbell, Jr. B23Q 1/015
144/135.2
D275,860 S * 10/1984 Brown D15/122
4,992,950 A * 2/1991 Francisco G05B 19/0421
700/213

5,096,370 A * 3/1992 Mohr B65H 3/322
271/161
6,561,238 B2 * 5/2003 Knighten B27F 5/12
144/2.1
6,726,429 B2 * 4/2004 Sackett H01L 21/67769
414/217
D578,144 S * 10/2008 Arisue D15/122
8,136,652 B2 * 3/2012 Hinderer B23Q 37/00
198/468.01
D690,331 S * 9/2013 Kitamura D15/122
D693,859 S * 11/2013 Kitamura D15/122
D694,787 S * 12/2013 Mueller D15/122
D736,840 S * 8/2015 Kirkland D15/122
D742,440 S * 11/2015 Lee D15/127
D748,696 S * 2/2016 Lee D15/127
D778,329 S * 2/2017 Grobe D15/122
D797,822 S * 9/2017 Grobe D15/122
D808,447 S * 1/2018 Grobe D15/122
D841,277 S * 2/2019 Chintalapalli Patta D34/35
D858,589 S * 9/2019 Chinalapalli Patta D15/122

(Continued)

Primary Examiner — Patricia A Palasik

(74) *Attorney, Agent, or Firm* — Hayes Soloway P.C.

(57) **CLAIM**

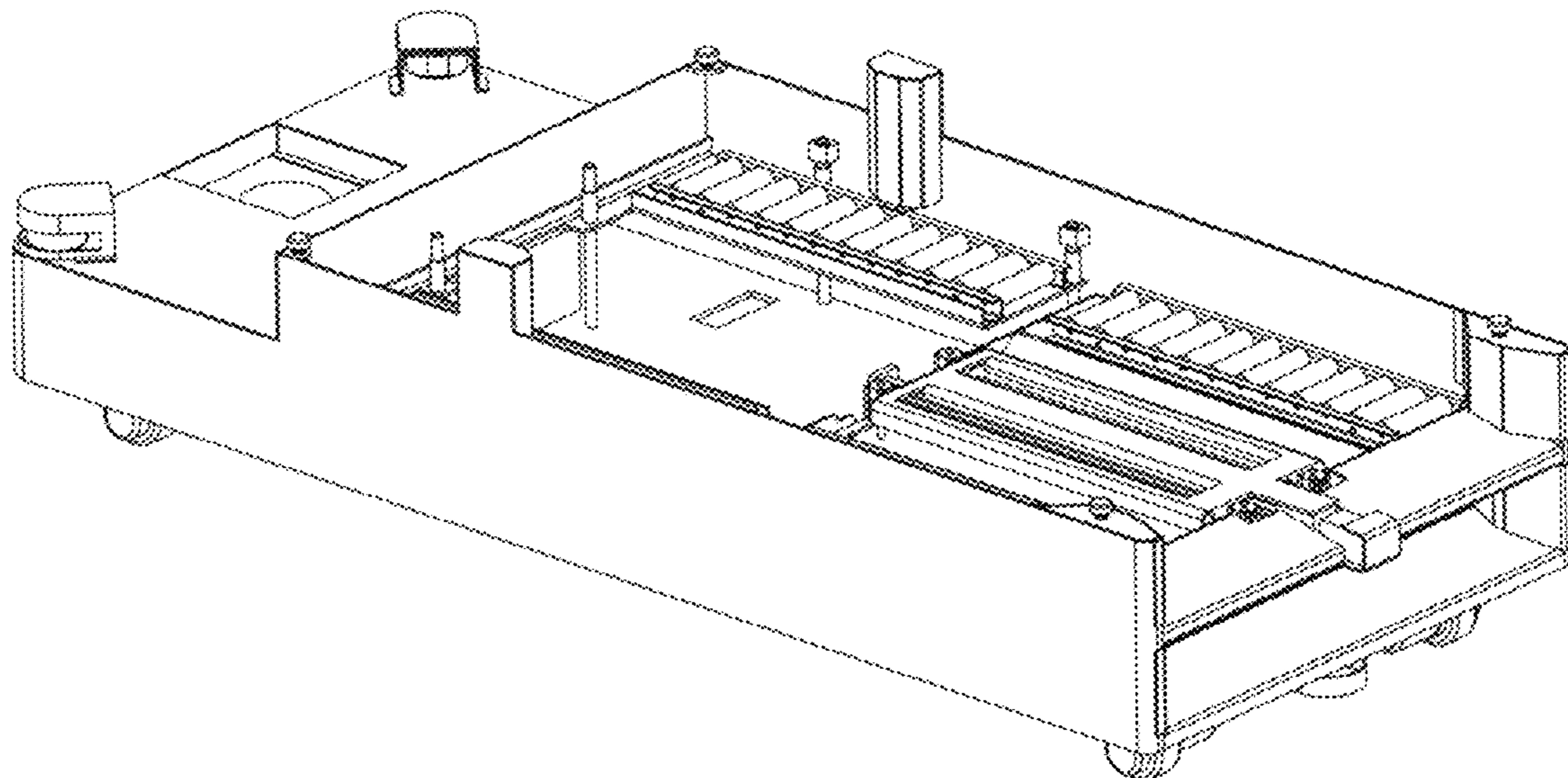
We claim the ornamental design for an apparatus for handling goods, as shown and described.

DESCRIPTION

FIG. 1 is a front view of an apparatus for handling goods; FIG. 2 is a rear view thereof; FIG. 3 is a left side view thereof; FIG. 4 is a right side view thereof; FIG. 5 is a top view thereof; FIG. 6 is a bottom view thereof; and, FIG. 7 is an isometric view thereof.

The broken lines in the drawings depict portions of the apparatus for handling goods and form no part of the claimed design.

1 Claim, 7 Drawing Sheets



(56)

References Cited

U.S. PATENT DOCUMENTS

D870,166 S * 12/2019 Gallo D15/127
2017/0368693 A1 * 12/2017 Chinatalapalli Patta
B25J 15/0052

* cited by examiner

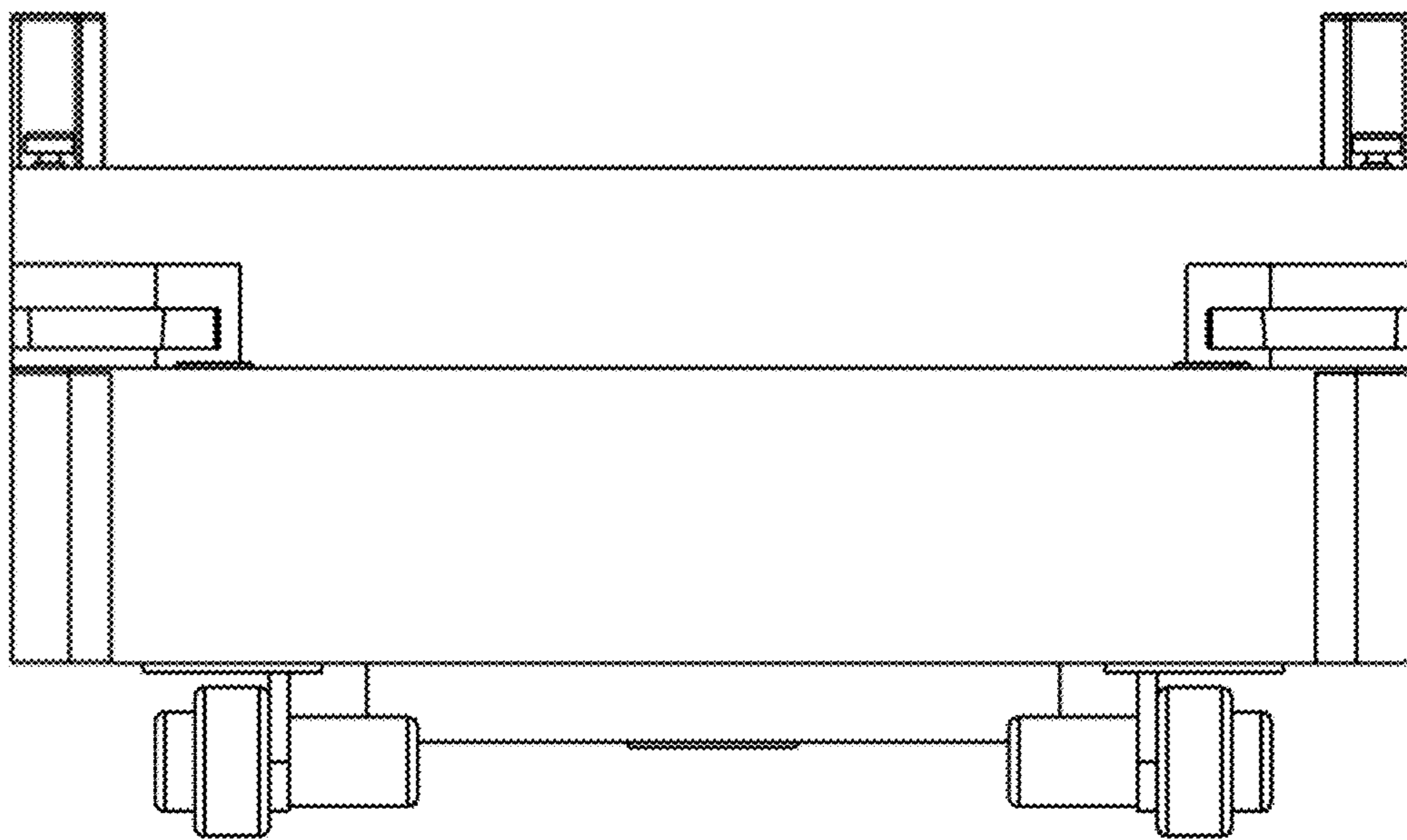


FIG. 1

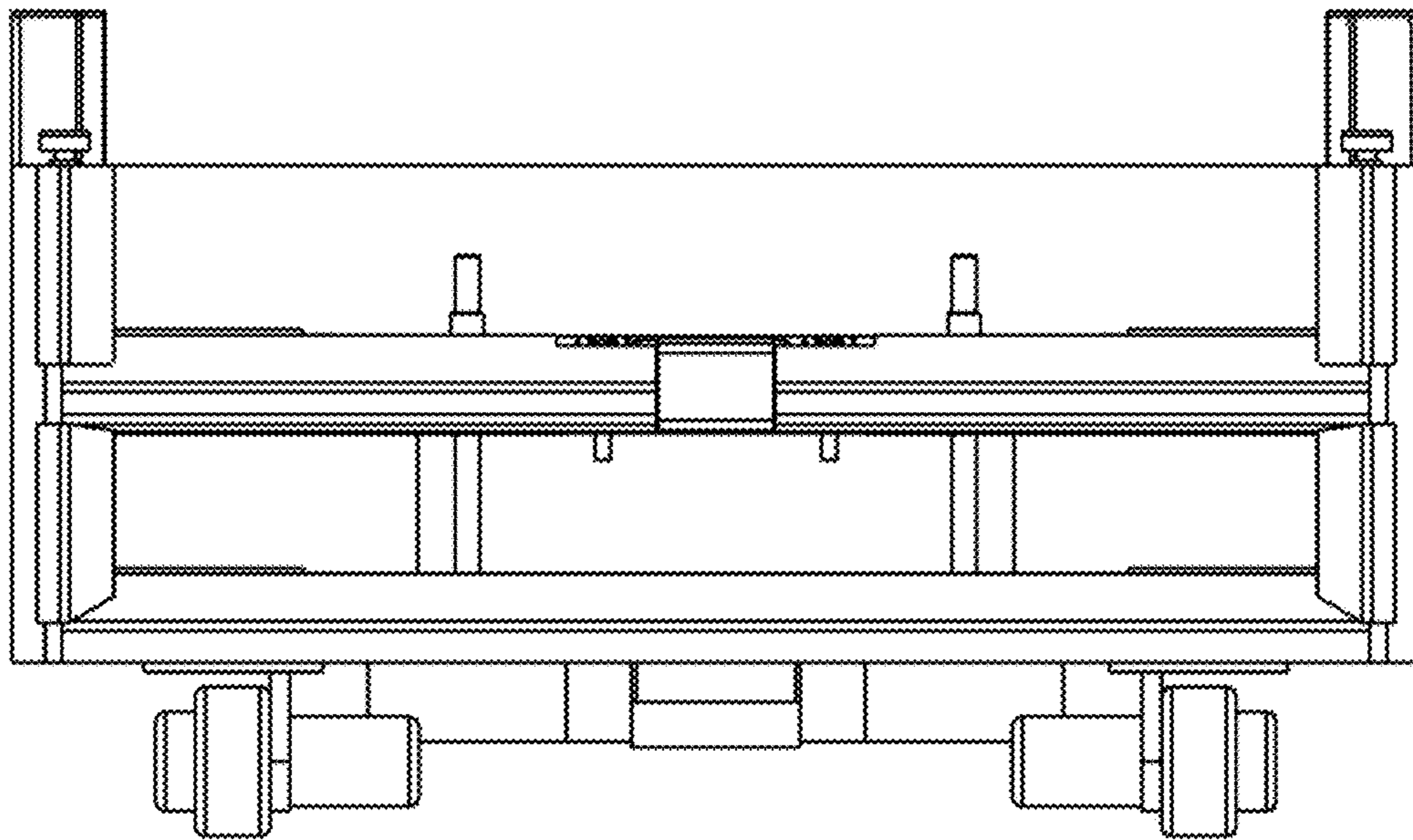


FIG. 2

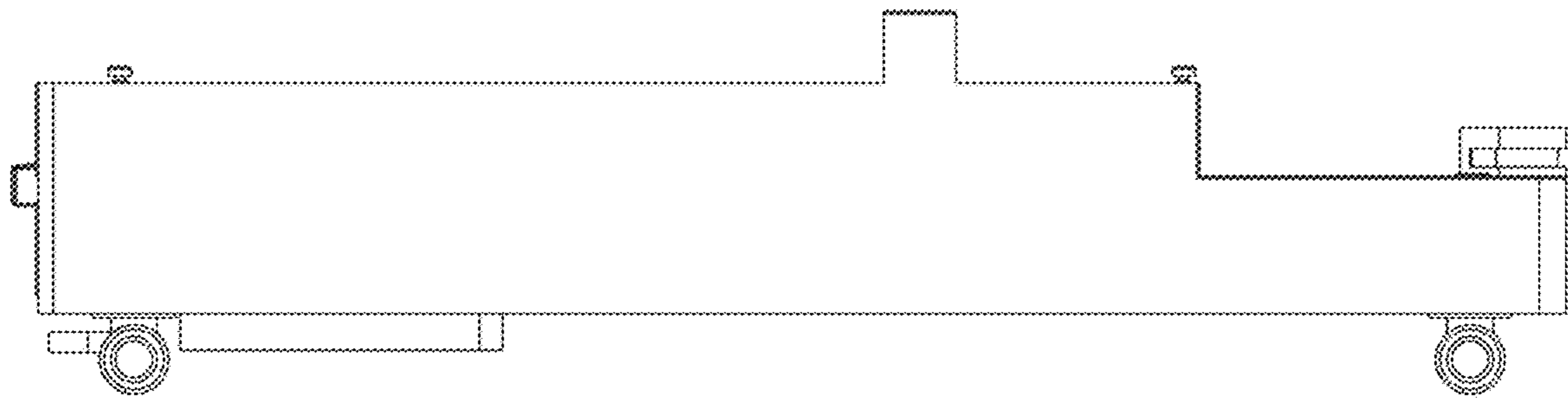


FIG. 3

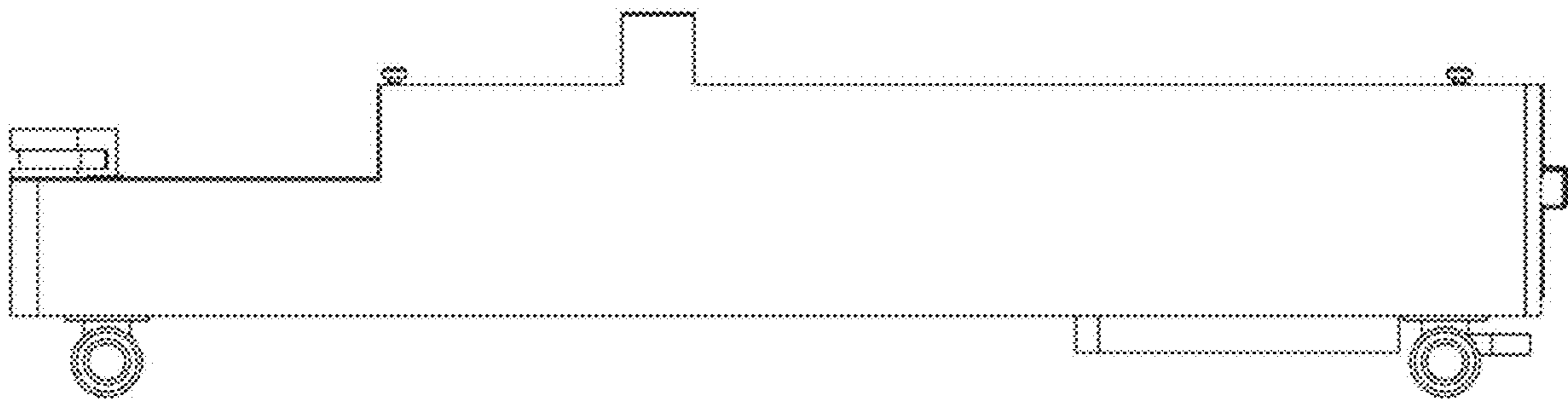


FIG. 4

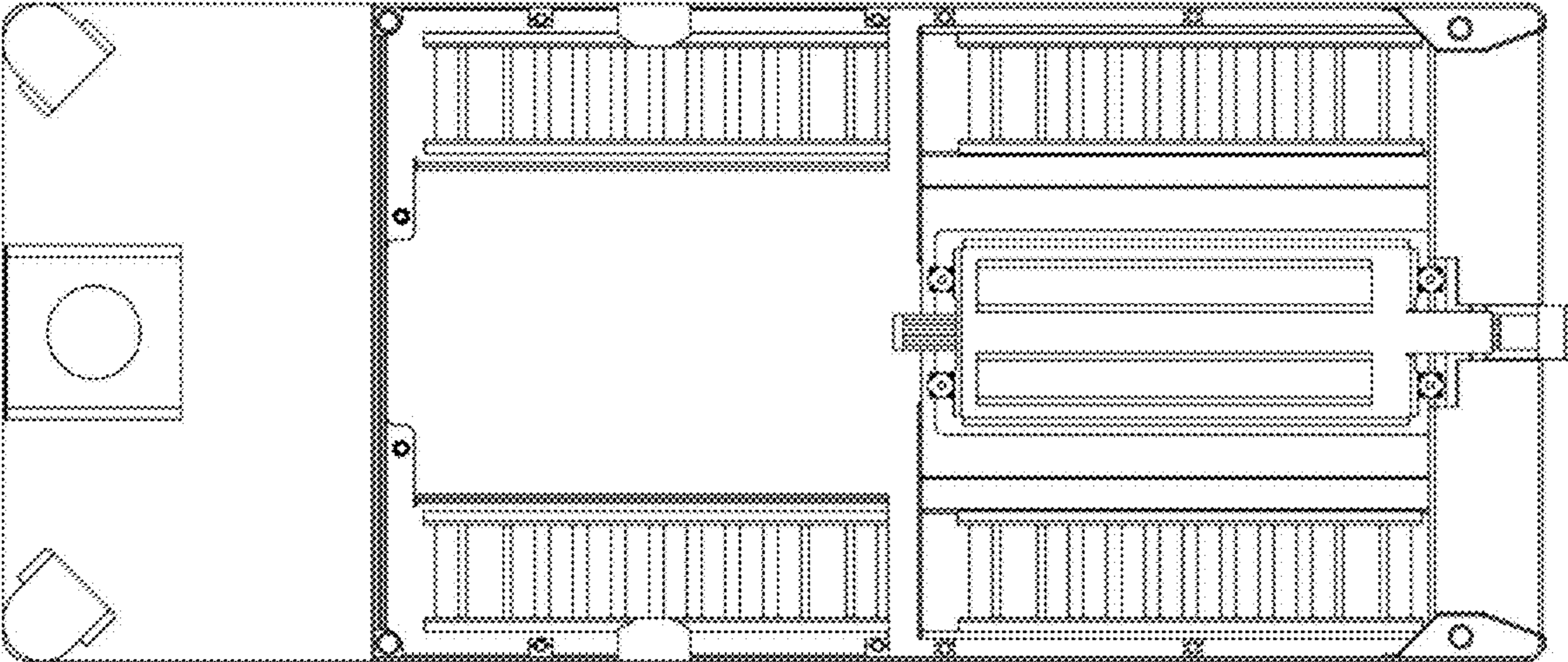


FIG. 5

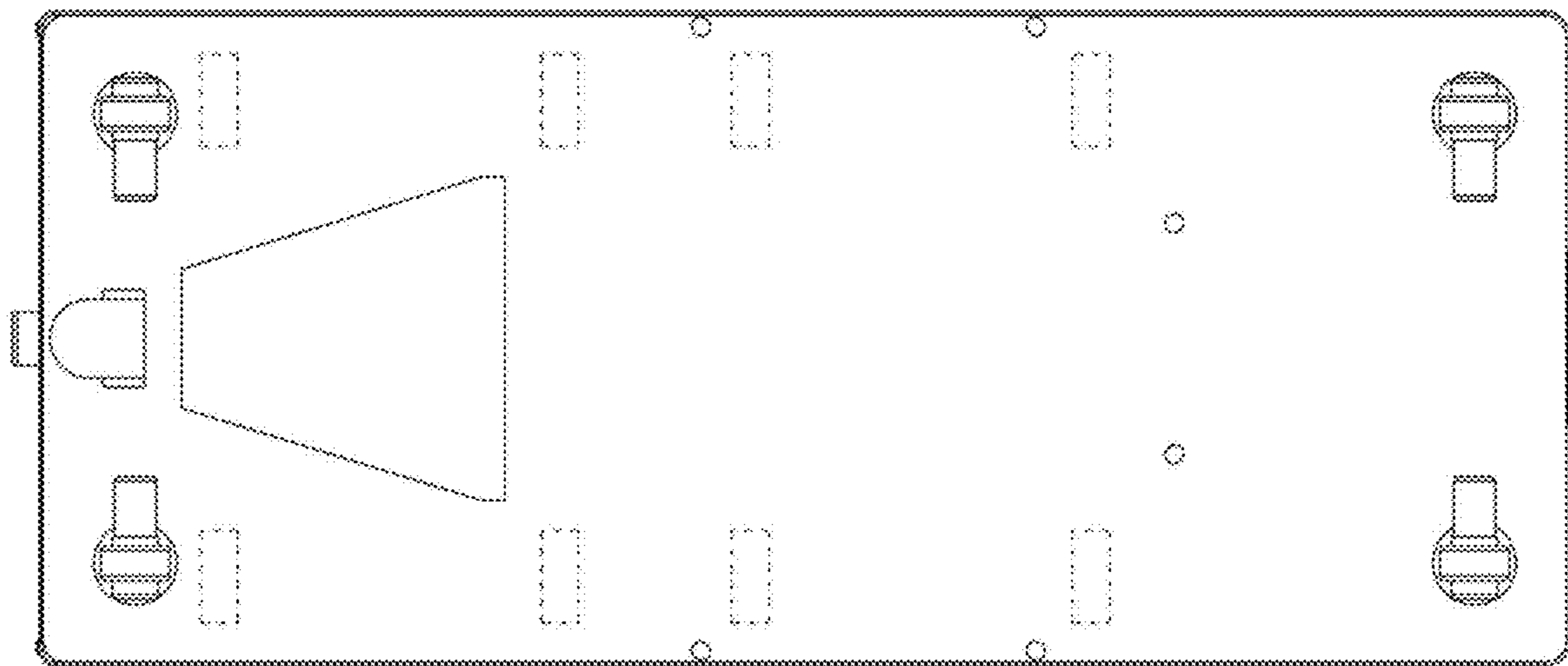


FIG. 6

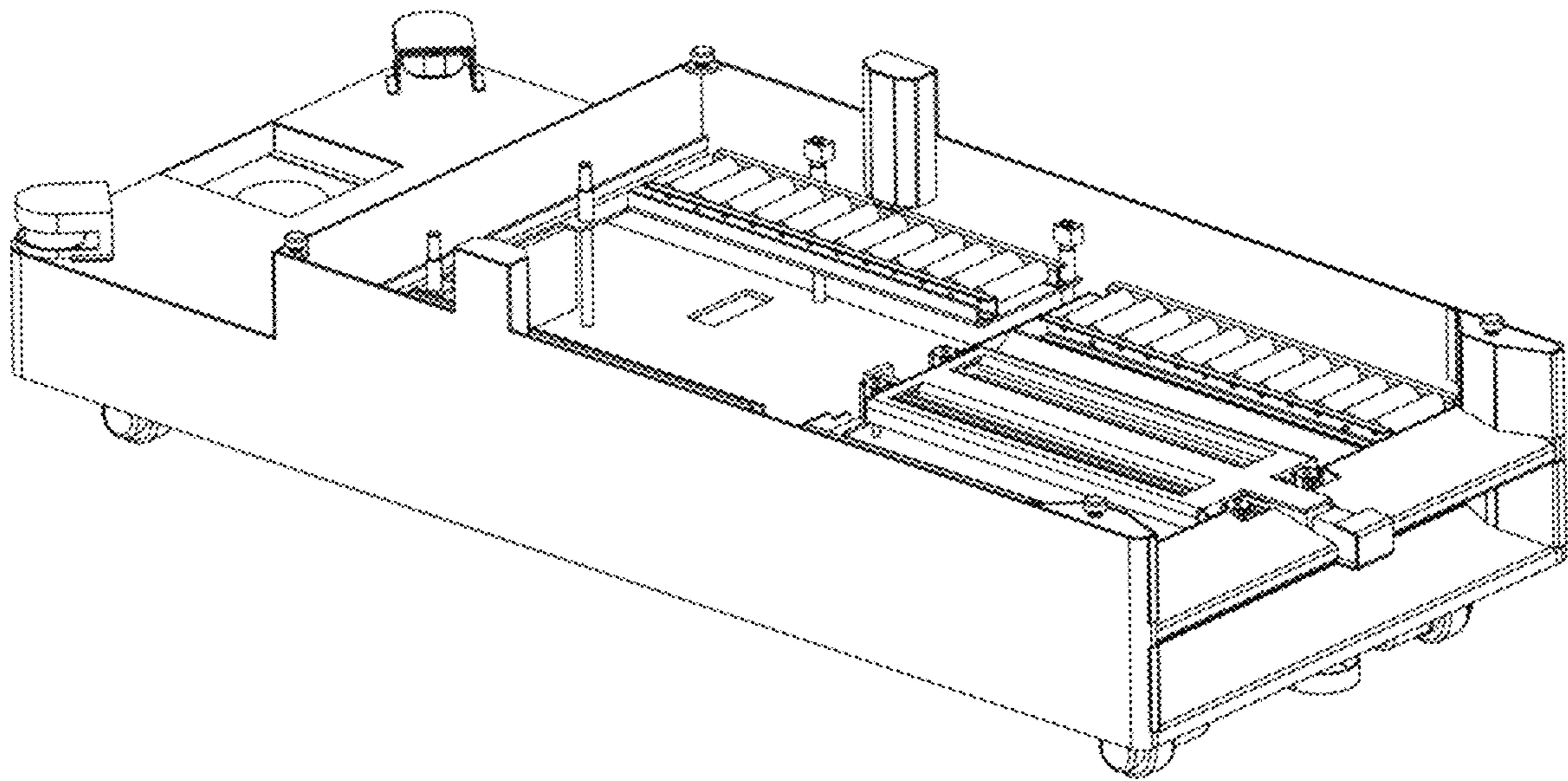


FIG. 7