



US00D930053S

(12) **United States Design Patent** (10) **Patent No.:** **US D930,053 S**
Suchman et al. (45) **Date of Patent:** **** Sep. 7, 2021**

(54) **DEBRIS CONTAINER**
(71) Applicant: **iRobot Corporation**, Bedford, MA (US)
(72) Inventors: **Jason Jeffrey Suchman**, Arlington, MA (US); **Douglas Dell'Accio**, Boston, MA (US); **Andrew Vincent Wolff**, Norfolk, MA (US); **Flavia Pastore**, Wakefield, MA (US)

3,327,937 A * 6/1967 Casady A47L 9/14
232/43.2
3,908,523 A * 9/1975 Shikaya B65D 3/22
493/111
D250,784 S * 1/1979 Dieter 472/116
4,180,190 A * 12/1979 Flaum B68G 7/06
223/43
D258,609 S * 3/1981 Vogt D23/364
4,268,567 A * 5/1981 Harmony B29C 63/06
150/901

(Continued)

(73) Assignee: **iRobot Corporation**, Bedford, MA (US)

OTHER PUBLICATIONS

(**) Term: **15 Years**

[No Author Listed] "Bosch Part#462544—Genuine Type G MEGA filt SuperTex Vacuum Bag (BBZ51AFG2U)—Fits Bosch Compact Series and Formula Series Vacuums—5/Package," Dec. 29, 2011, retrieved on May 10, 2018, retrieved from URL <<https://www.amazon.com/Bosch-Part-462544-MEGAfilt-BBZ51AFG2U/dp/B000UM2ENE/>>, 8 pages.

(Continued)

(21) Appl. No.: **29/646,574**

(22) Filed: **May 4, 2018**

(51) **LOC (13) Cl.** **15-09**

(52) **U.S. Cl.**
USPC **D15/122**

(58) **Field of Classification Search**
USPC 15/122, 132, 138, 199; 32/31, 35
CPC A01G 20/43; B08B 15/002; E01H 1/0836
See application file for complete search history.

Primary Examiner — Patricia A Palasik

(74) *Attorney, Agent, or Firm* — Fish & Richardson P.C.

(56) **References Cited**

(57) **CLAIM**

The ornamental design for a debris container, substantially as shown and described.

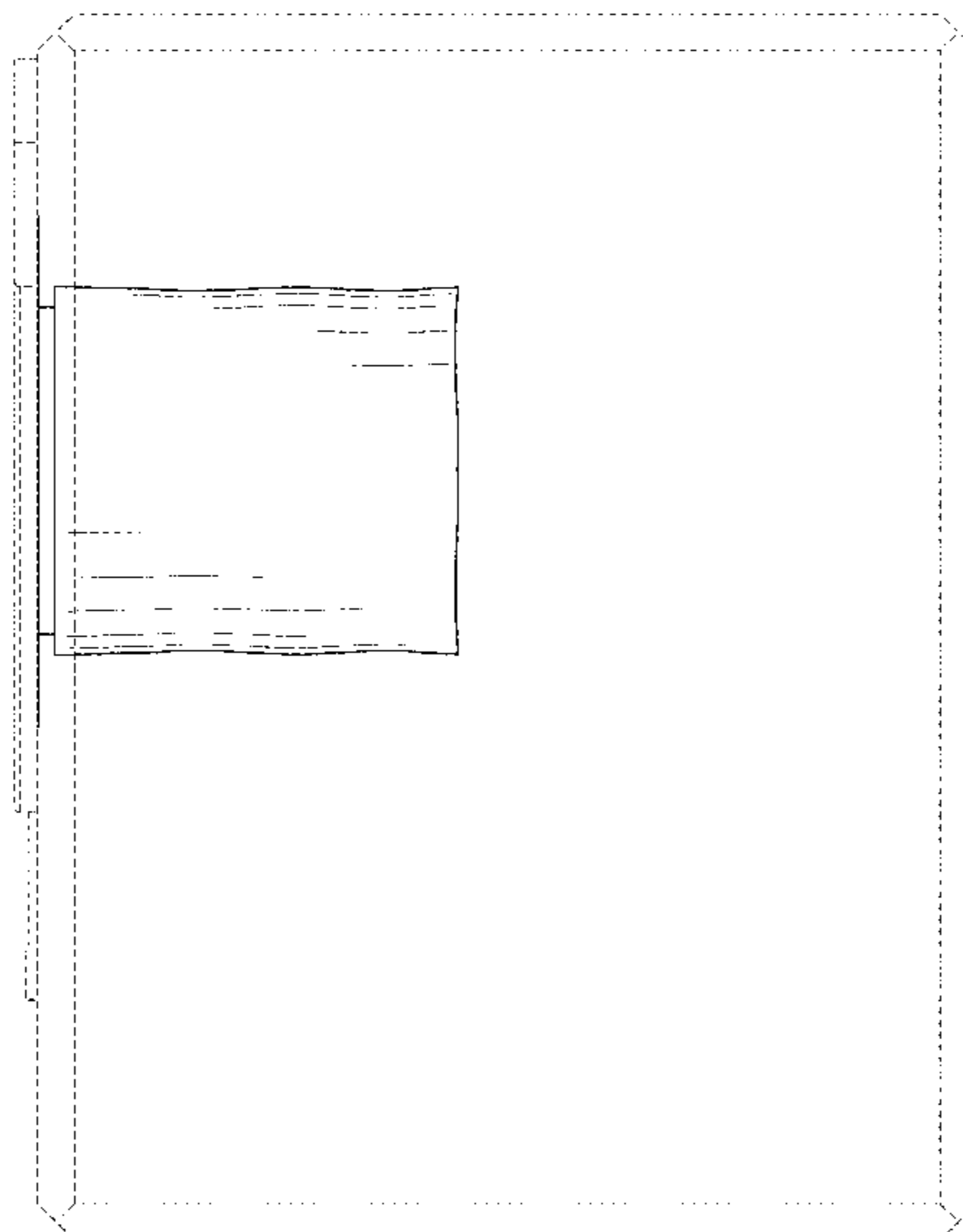
U.S. PATENT DOCUMENTS

DESCRIPTION

1,827,496 A * 10/1931 Vanderwilt A47L 9/149
55/366
D94,196 S * 1/1935 Frantz D32/30
2,161,935 A * 6/1939 Roberts A47G 23/0241
215/12.1
2,426,475 A * 8/1947 Frank F25D 7/00
62/316
2,464,069 A * 3/1949 Benson B65D 23/104
206/466
2,831,948 A * 4/1958 Fraser H02B 1/048
200/295
3,082,900 A * 3/1963 Goodman B65D 1/265
220/592.17

FIG. 1 is a perspective view of the debris container.
FIG. 2 is a front view thereof.
FIG. 3 is a back view thereof.
FIG. 4 is right side view thereof.
FIG. 5 is left side view thereof.
FIG. 6 is top view thereof; and,
FIG. 7 is bottom view thereof.
The broken lines in the drawings depict portions of the debris container which form no part of the claimed design.

1 Claim, 7 Drawing Sheets



(56)

References Cited

U.S. PATENT DOCUMENTS

D269,106 S * 5/1983 Brown D21/819
 4,488,883 A * 12/1984 Philp A47L 9/127
 55/311
 D277,131 S * 1/1985 Shames D23/393
 D288,373 S * 2/1987 Alanis D32/31
 5,180,162 A * 1/1993 Browne A63B 57/357
 473/176
 D344,317 S * 2/1994 Petersheim D21/821
 5,581,842 A * 12/1996 Seith A47L 9/1427
 15/347
 5,688,298 A * 11/1997 Bosses A47L 9/1454
 15/350
 5,690,711 A * 11/1997 Bosses B01D 46/02
 55/380
 6,076,226 A 6/2000 Reed
 6,158,612 A * 12/2000 Alpert A47G 23/0216
 220/662
 6,389,329 B1 5/2002 Colens
 6,409,608 B1 * 6/2002 Garske A63B 57/357
 473/175
 6,745,491 B1 * 6/2004 Hernandez-Zelaya
 D06F 58/20
 34/138
 6,748,297 B2 6/2004 Song et al.
 6,857,808 B1 * 2/2005 Sugimoto E04B 1/2403
 403/41
 D507,344 S * 7/2005 Anderson D23/393
 6,997,966 B2 * 2/2006 Iantorno B01D 46/10
 34/604
 7,031,805 B2 4/2006 Lee et al.
 7,055,210 B2 6/2006 Keppler et al.
 D524,497 S * 7/2006 Bruneau D32/31
 D532,071 S * 11/2006 VanDeusen D21/814
 D536,091 S * 1/2007 Biener D24/110.1
 D576,365 S * 9/2008 Wishney D32/32
 D577,117 S * 9/2008 Biener D24/110.1
 D580,849 S * 11/2008 Burger D13/102
 D584,787 S * 1/2009 Brittingham D22/108
 D585,518 S * 1/2009 Brittingham D22/108
 D596,465 S * 7/2009 Faulkner D7/607
 D597,264 S * 7/2009 Hsieh D30/108
 7,615,109 B2 * 11/2009 Sepke A47L 7/04
 55/376
 D613,854 S * 4/2010 Young D24/112
 D645,561 S * 9/2011 Herrmann D24/138

8,092,562 B2 1/2012 Sauer et al.
 8,167,165 B1 * 5/2012 Peterson A47J 41/0061
 150/165
 D661,902 S * 6/2012 Italiano D3/313
 8,528,157 B2 9/2013 Schnittman et al.
 D692,160 S * 10/2013 Judson D24/216
 D714,461 S * 9/2014 Judson D24/216
 9,027,199 B2 5/2015 Jung et al.
 D762,422 S * 8/2016 Coplin D7/624.2
 9,462,920 B1 10/2016 Morin et al.
 D815,516 S * 4/2018 Karmarkar D8/382
 D887,026 S * 6/2020 Foley D25/133
 2002/0104845 A1 * 8/2002 Beuke B65D 81/3876
 220/739
 2002/0179617 A1 * 12/2002 Barthlow A47G 23/0216
 220/739
 2003/0182908 A1 * 10/2003 Zimet A47L 9/1427
 55/374
 2005/0150519 A1 7/2005 Keppler et al.
 2006/0278087 A1 * 12/2006 Sepke A47L 7/04
 96/223
 2007/0074367 A1 * 4/2007 Bosses A47L 9/1427
 15/352
 2007/0113528 A1 * 5/2007 Knuth A47L 9/1427
 55/472
 2007/0138188 A1 * 6/2007 Mace B31D 5/0086
 220/739
 2007/0226949 A1 10/2007 Hahm et al.
 2008/0201895 A1 8/2008 Kim et al.
 2008/0235897 A1 10/2008 Kim et al.
 2009/0049640 A1 2/2009 Lee et al.
 2010/0252190 A1 * 10/2010 Iagulli B29C 70/32
 156/285
 2011/0126377 A1 * 6/2011 Bosses A47L 9/1436
 15/347
 2012/0011677 A1 1/2012 Jung et al.
 2012/0304415 A1 * 12/2012 Bosses A47L 9/1472
 15/347
 2013/0298350 A1 11/2013 Schnittman et al.
 2016/0166126 A1 6/2016 Morin et al.
 2016/0183752 A1 6/2016 Morin et al.

OTHER PUBLICATIONS

[No Author Listed] "Staubaugerbeutel Von Kobold," retrieved on May 10, 2018, retrieved from URL <<https://kobold.vorwerk.de/staubsaugerbeutel/>>, 49 pages (English Translation).

* cited by examiner

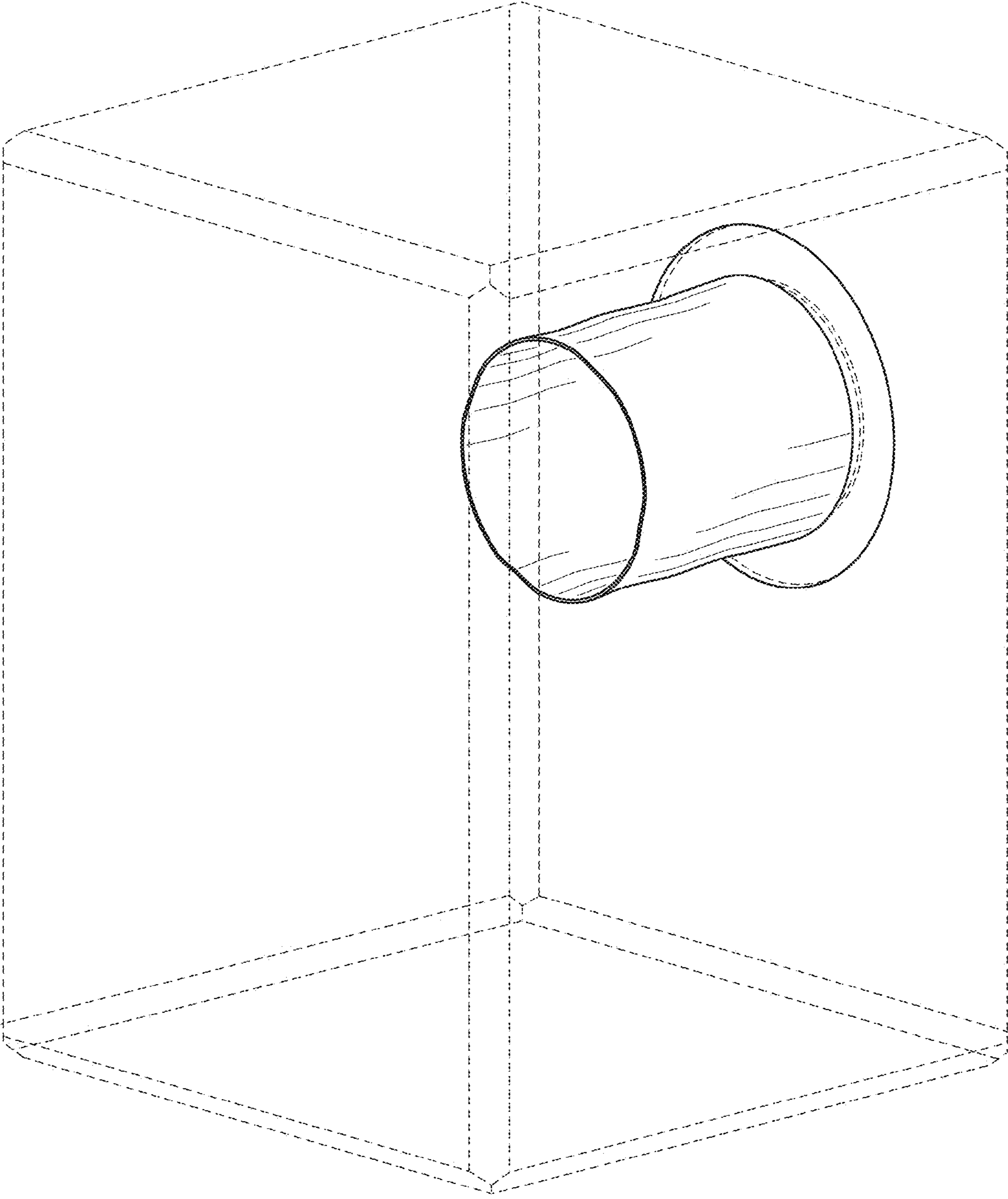


FIG. 1

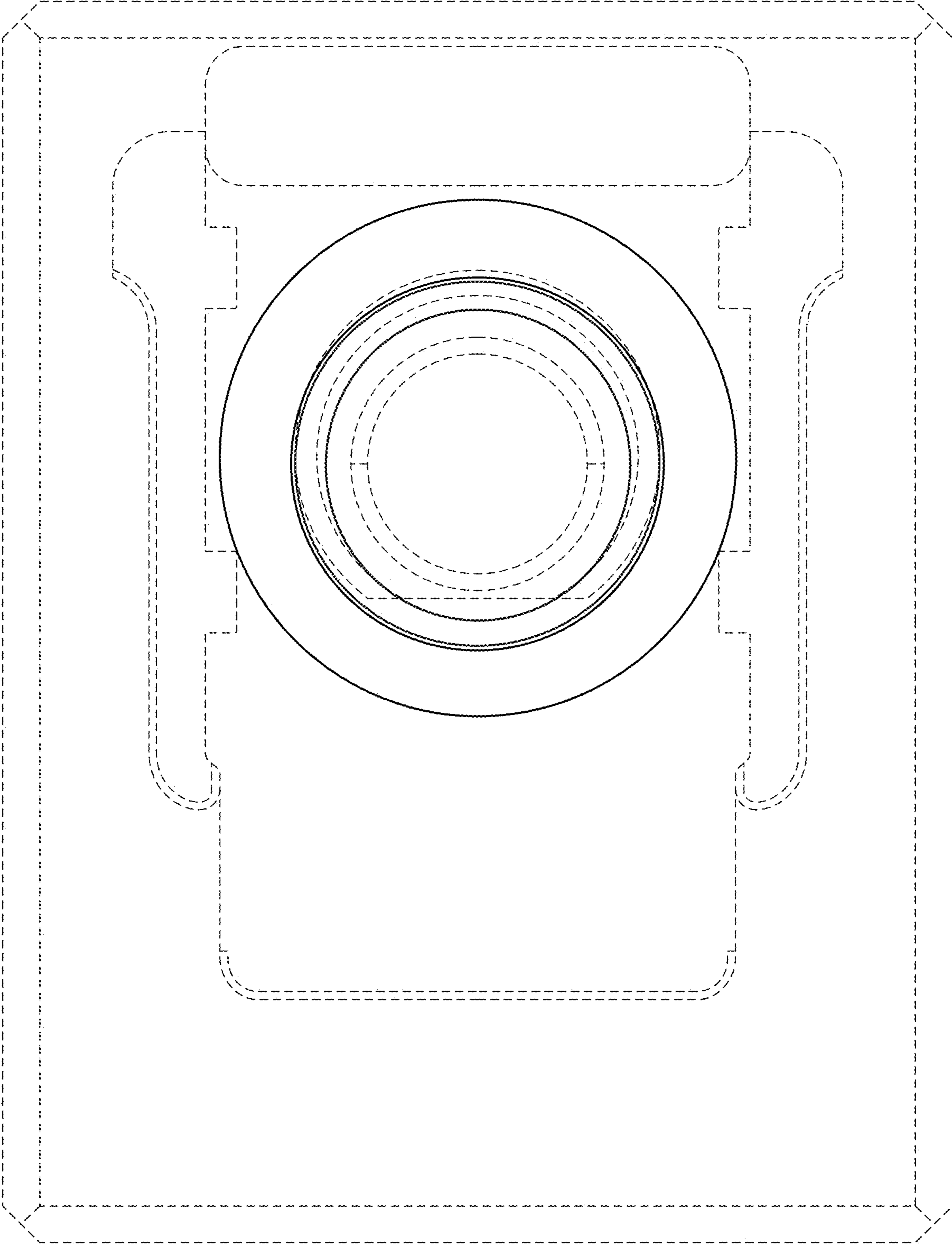


FIG. 2

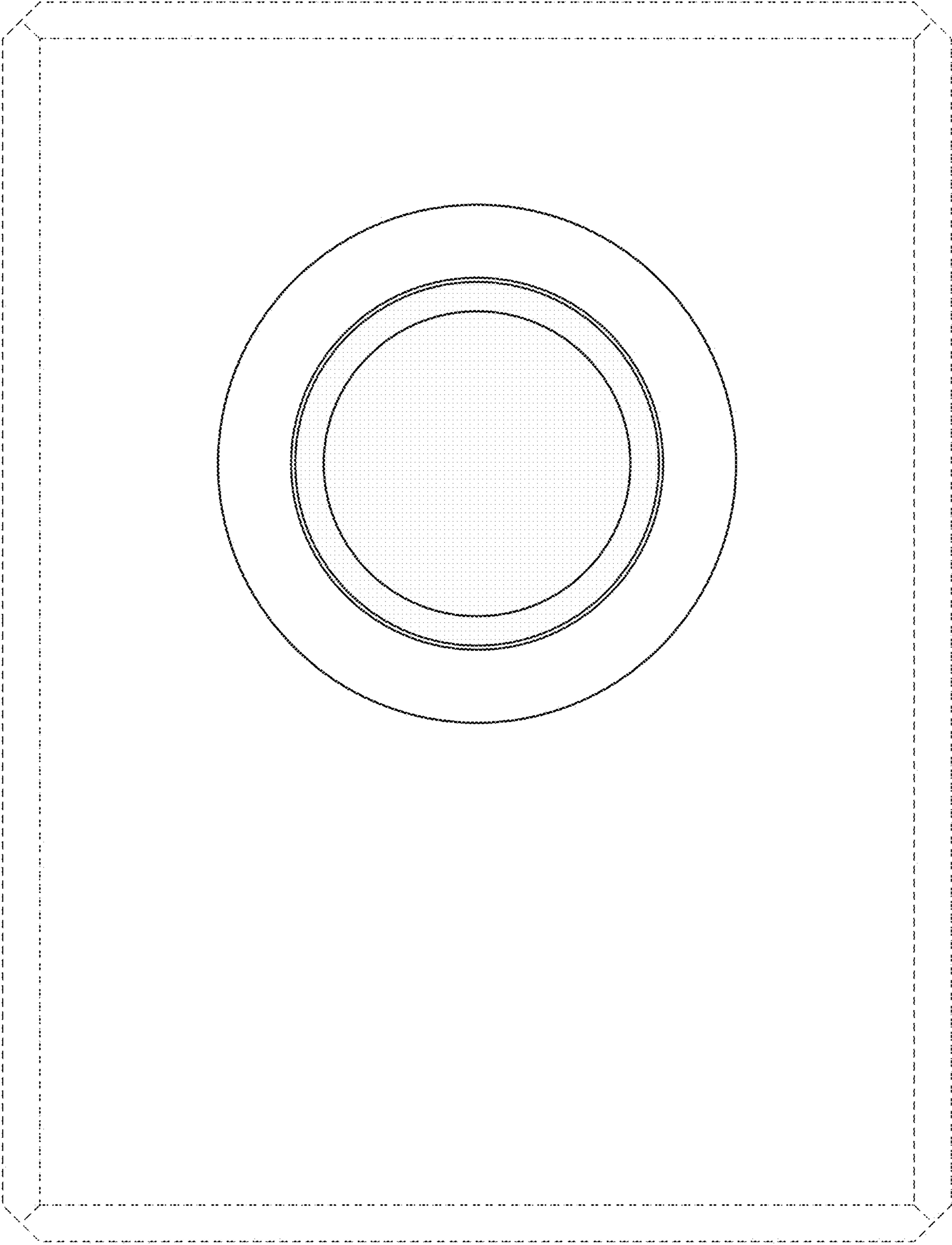


FIG. 3

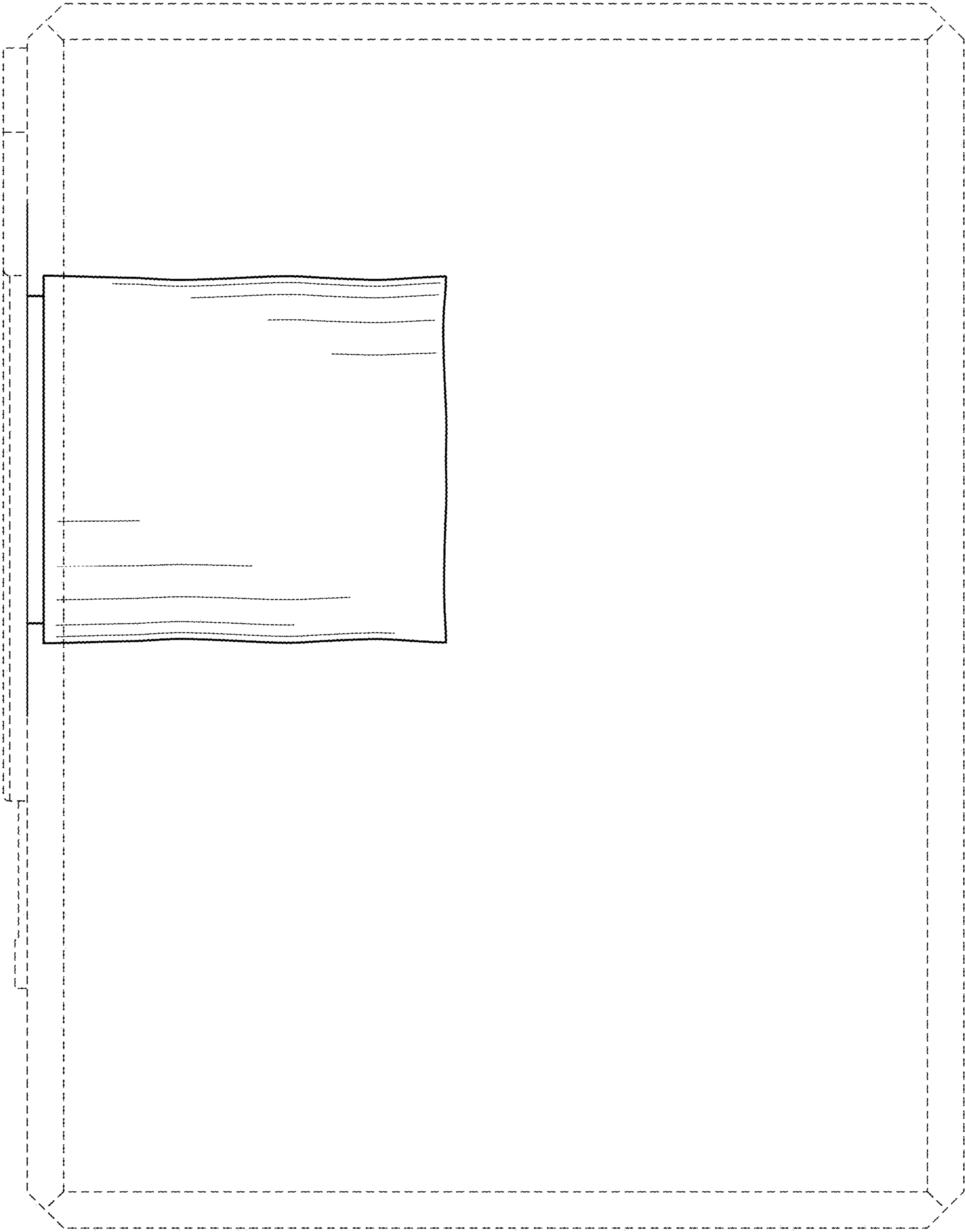


FIG. 4

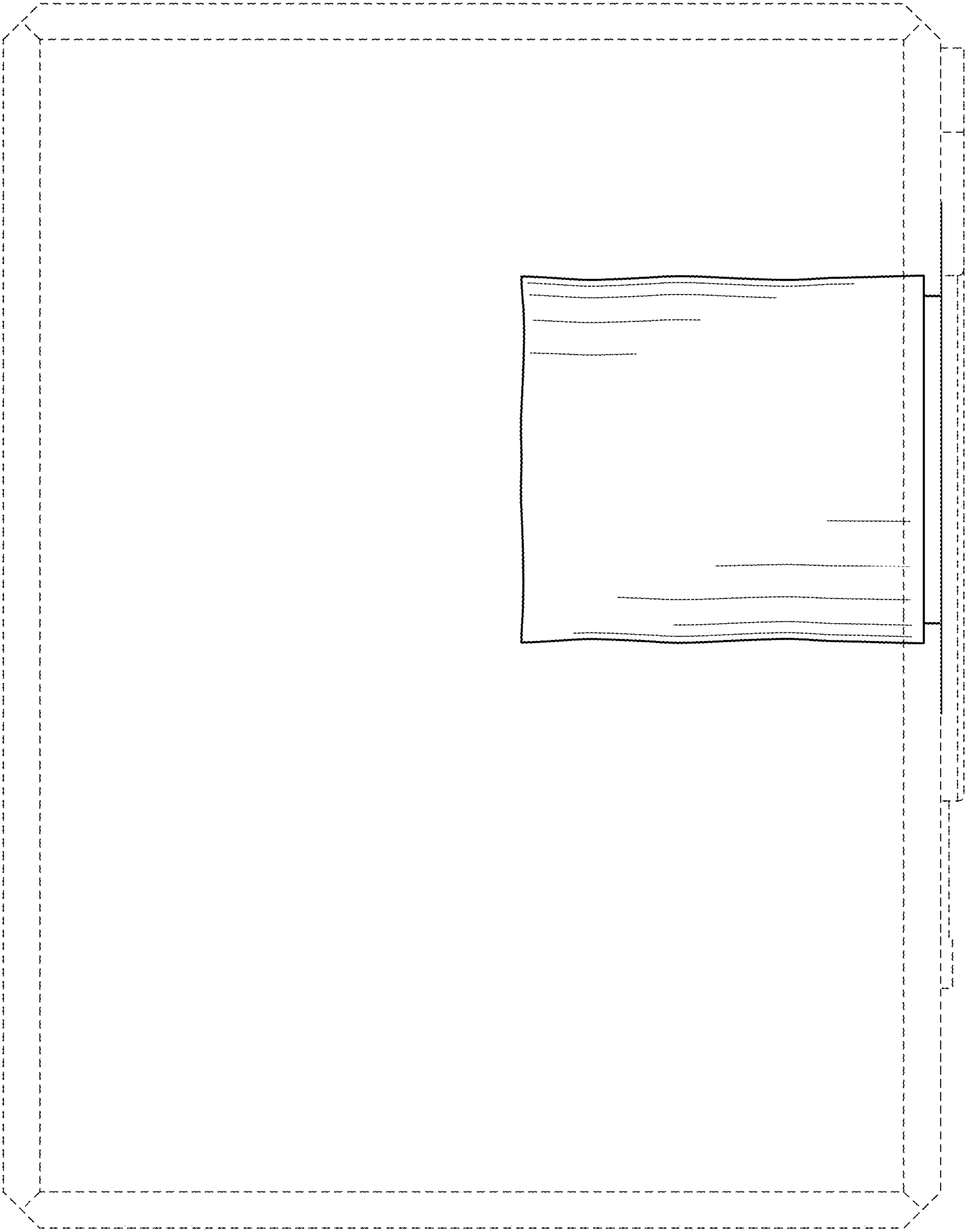


FIG. 5

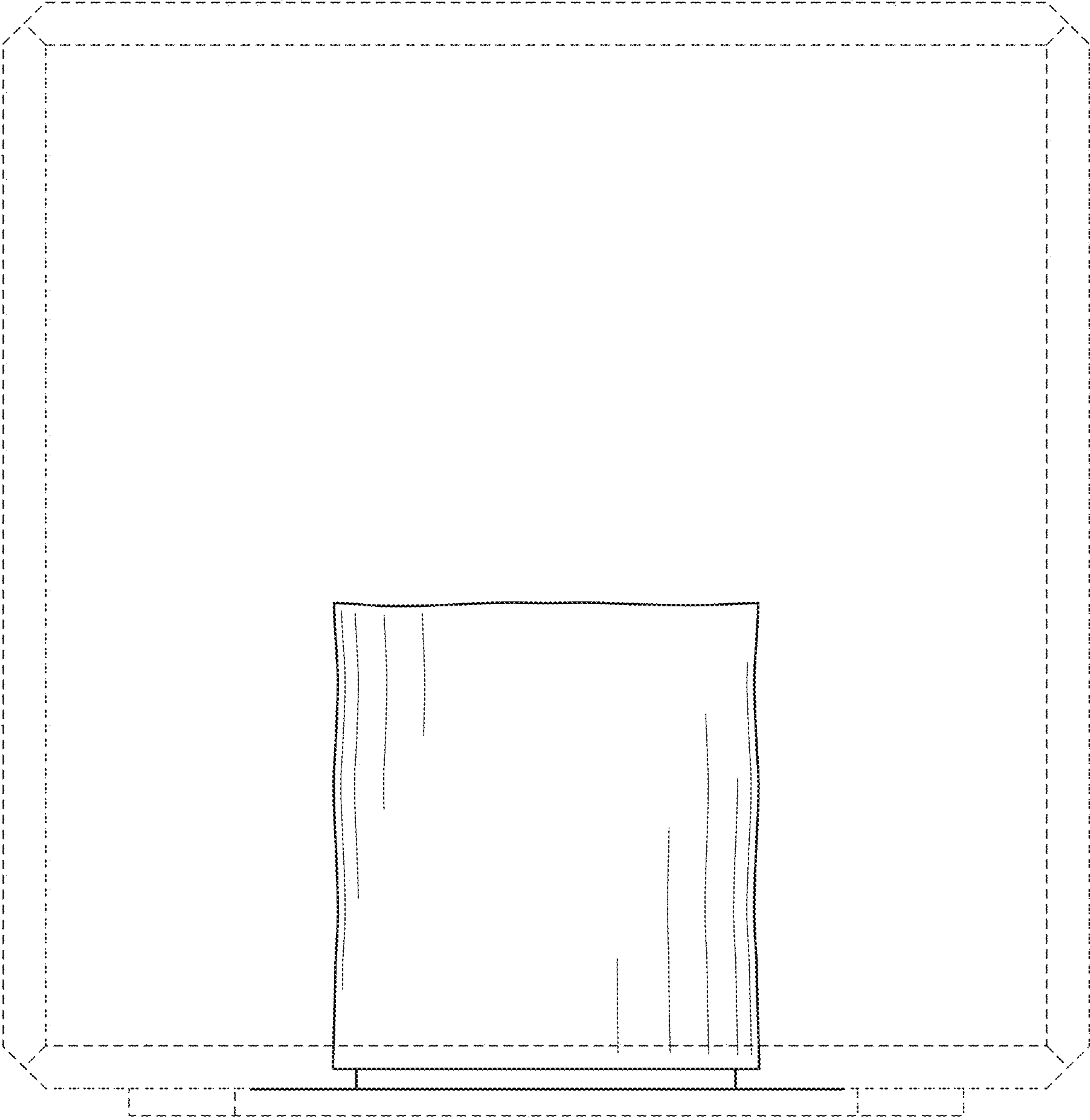


FIG. 6

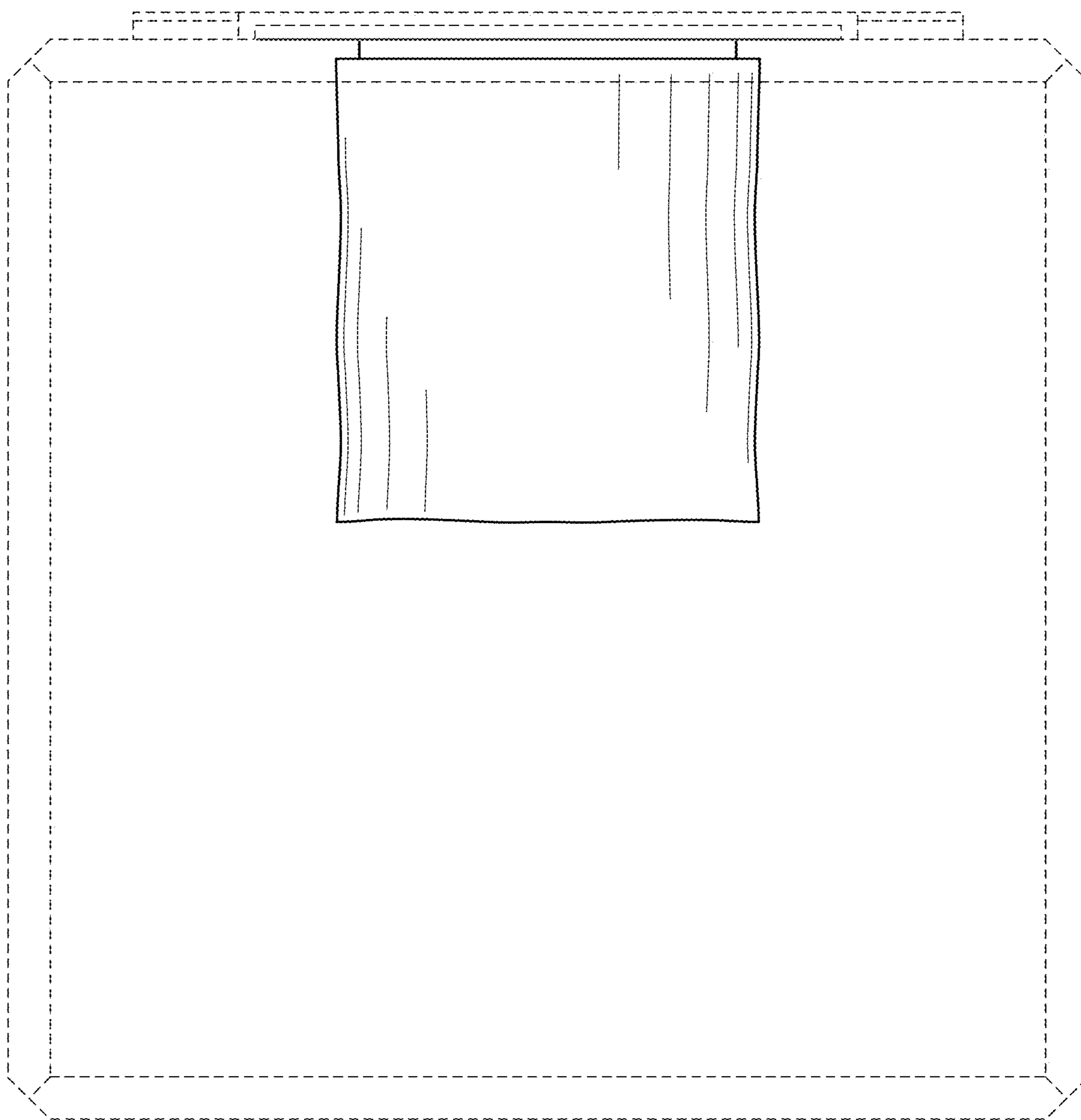


FIG. 7