



US00D930052S

(12) **United States Design Patent** (10) **Patent No.:** **US D930,052 S**  
**Isringhausen et al.** (45) **Date of Patent:** **\*\* Sep. 7, 2021**

- (54) **LIFTING ARM** 3,877,743 A 4/1975 Johnson
- (71) Applicant: **Cranemasters, Inc.**, North Chesterfield, VA (US) 3,972,431 A 8/1976 Fischer
- (72) Inventors: **Barry Isringhausen**, Providence Forge, VA (US); **Britt Calloway**, Midlothian, VA (US); **Jonathan Dip**, Glen Allen, VA (US) 4,005,894 A 2/1977 Tucek
- (73) Assignee: **Cranemasters, Inc.**, North Chesterfield, VA (US) 4,022,331 A 5/1977 Bean et al.
- 4,023,848 A \* 5/1977 Bennett ..... B66C 3/16 294/198
- 4,358,147 A 11/1982 Hungerford
- D272,827 S \* 2/1984 Sapelak ..... D15/28
- 4,576,406 A 3/1986 Johnson et al.
- D306,599 S \* 3/1990 Hunter ..... D15/32
- 5,163,804 A 11/1992 Kobayashi
- D332,271 S \* 1/1993 DuBose ..... D15/32

(Continued)

(\*\*) Term: **15 Years**

**OTHER PUBLICATIONS**

(21) Appl. No.: **29/759,049**

- U.S. Appl. No. 29/750,477, filed Sep. 14, 2020.
- U.S. Appl. No. 29/750,481, filed Sep. 14, 2020.
- U.S. Appl. No. 29/759,051, filed Nov. 19, 2020.

(22) Filed: **Nov. 19, 2020**

**Related U.S. Application Data**

*Primary Examiner* — Mark A Goodwin

(60) Continuation of application No. 16/802,278, filed on Feb. 26, 2020, which is a continuation of application No. 16/213,415, filed on Dec. 7, 2018, now Pat. No. 10,577,226, which is a division of application No. 15/409,269, filed on Jan. 18, 2017, now Pat. No. 10,150,651.

(74) *Attorney, Agent, or Firm* — Sterne, Kessler, Goldstein & Fox P.L.L.C.

(51) **LOC (13) Cl.** ..... **15-03**

(57) **CLAIM**

(52) **U.S. Cl.**

The ornamental design for a lifting arm, as shown and described.

USPC ..... **D15/32; D34/35**

**DESCRIPTION**

(58) **Field of Classification Search**

USPC ..... D15/28, 32; D34/35, 33, 28  
CPC ..... E02F 3/3681; E02F 3/4135; B66C 1/44;  
B66C 1/425; B66C 3/16; B66C 3/14;  
B66C 3/005; B66C 3/04

FIG. 1 is a right side view of a lifting arm showing the claimed design;  
FIG. 2 is a front perspective view thereof;  
FIG. 3 is a rear perspective view thereof;  
FIG. 4 is another right side view thereof, in an environment in which it may be used; and,  
FIG. 5 is a rear view thereof.

See application file for complete search history.

The broken lines in the figures show portions of the lifting arm and environment that form no part of the claimed design.

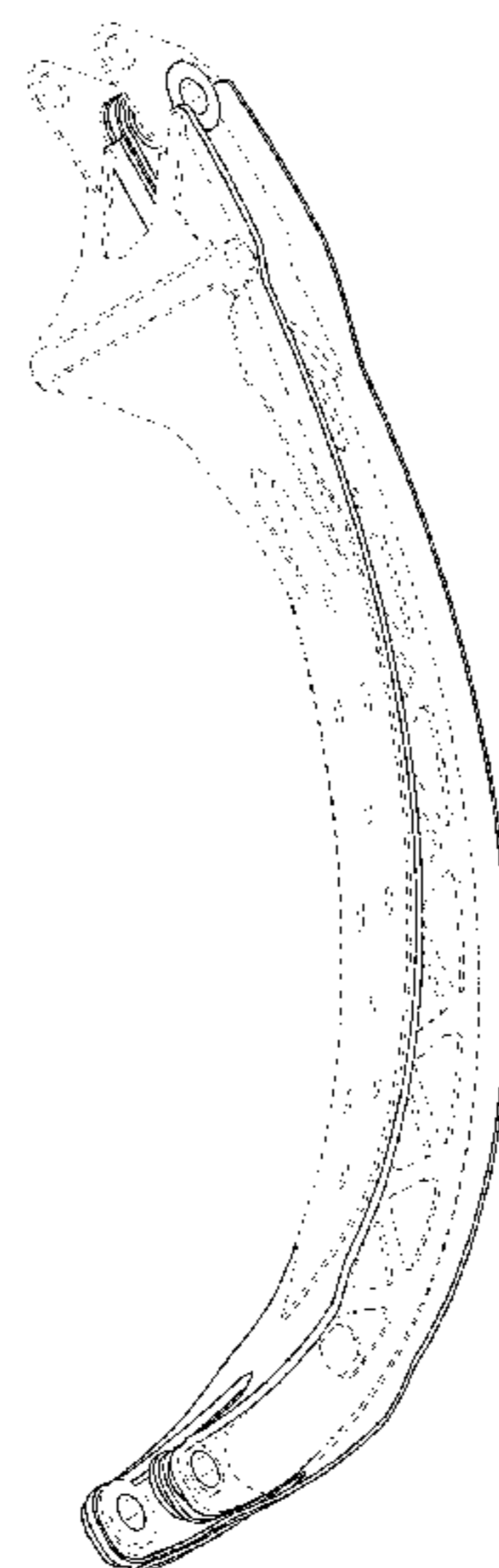
(56) **References Cited**

**U.S. PATENT DOCUMENTS**

Portions of the lifting arm that are not shown form no part of the claimed design.

- D189,049 S \* 10/1960 McElderry ..... D34/35
- 3,627,372 A 12/1971 Carpenter et al.
- 3,841,507 A 10/1974 Barwise

**1 Claim, 5 Drawing Sheets**



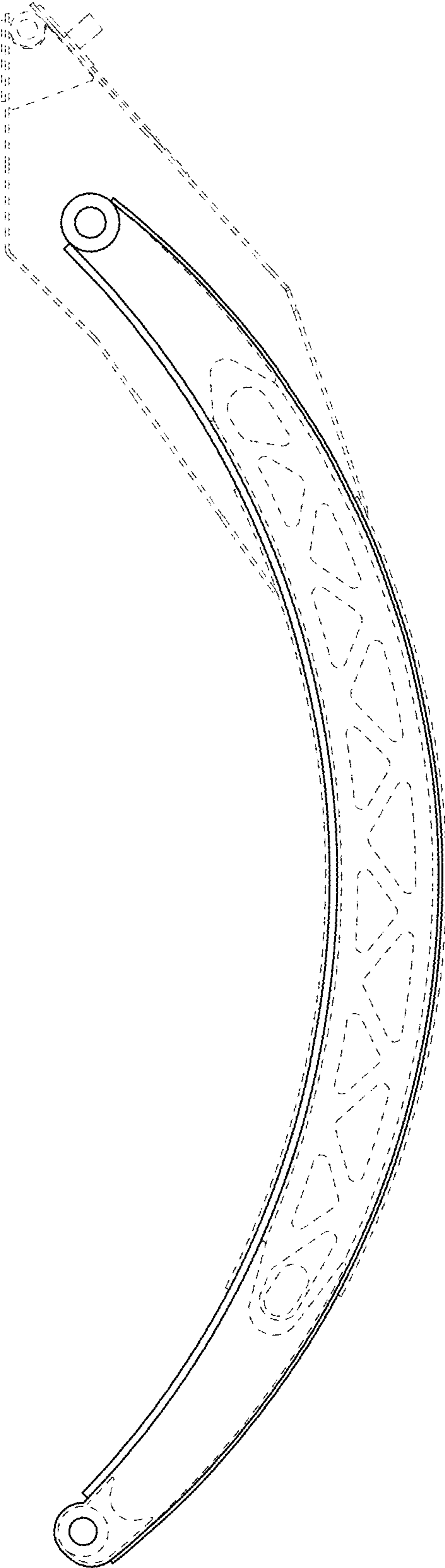
(56)

**References Cited**

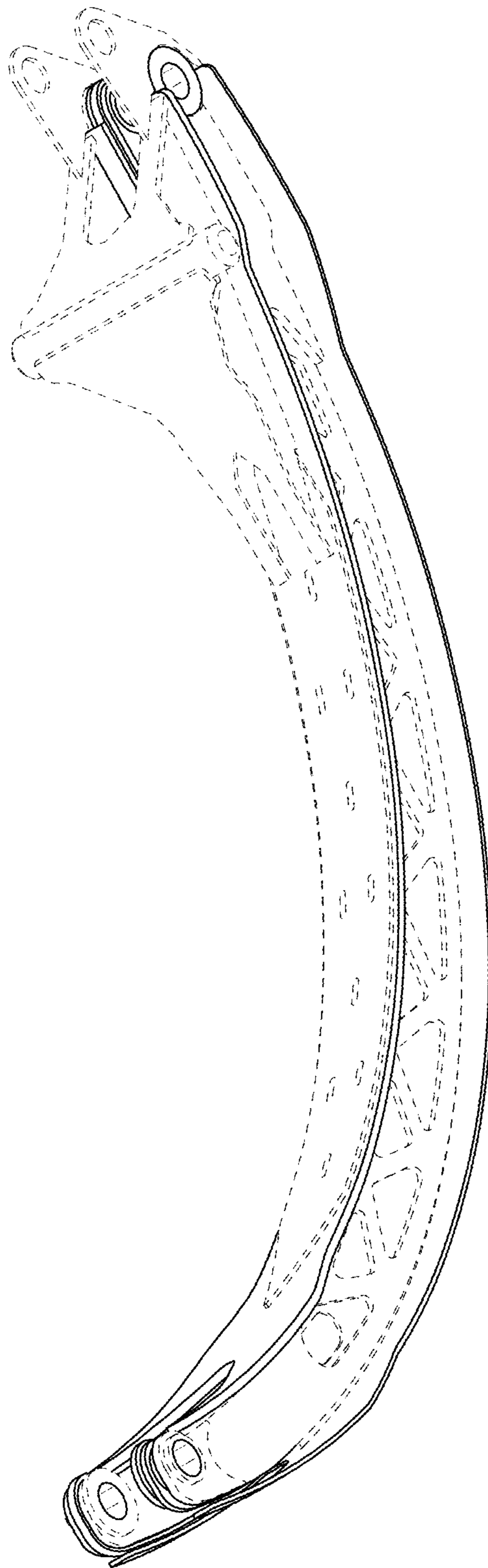
## U.S. PATENT DOCUMENTS

5,184,860 A 2/1993 Bouillon et al.  
5,330,242 A \* 7/1994 Lucky, Sr. .... B66C 3/04  
294/106  
D354,605 S \* 1/1995 Lucky, Sr. .... D34/35  
5,620,298 A 4/1997 Barwise  
5,865,492 A \* 2/1999 Horton ..... E02F 3/4135  
294/86.41  
D408,609 S \* 4/1999 Oja ..... D34/35  
5,890,754 A \* 4/1999 Murr ..... B66C 3/16  
294/107  
6,168,219 B1 \* 1/2001 Futa ..... B66C 1/06  
294/106  
D496,945 S \* 10/2004 Daniel ..... D15/32  
7,066,076 B2 6/2006 Roy et al.  
7,785,057 B2 8/2010 Noonan et al.  
7,963,230 B2 6/2011 Simpson et al.  
D645,062 S \* 9/2011 LaValley ..... D15/28  
8,156,720 B2 \* 4/2012 Daraie ..... B66C 1/42  
53/492  
D697,945 S \* 1/2014 Healey ..... D15/28  
D779,565 S \* 2/2017 Jensen ..... D15/28  
10,150,651 B2 \* 12/2018 Isringhausen ..... B66C 1/425  
10,577,226 B2 \* 3/2020 Isringhausen ..... B66C 1/44  
D920,390 S \* 5/2021 Johnson ..... D15/32  
2005/0100432 A1 \* 5/2005 Mattson ..... B66C 1/585  
414/732  
2007/0130808 A1 \* 6/2007 Peterson ..... E02F 3/404  
37/406  
2013/0069383 A1 \* 3/2013 Sunde ..... B66C 3/16  
294/198  
2014/0028038 A1 \* 1/2014 LaValley ..... B26D 7/02  
294/81.61  
2019/0382244 A1 \* 12/2019 Hawkes ..... A01G 23/003

\* cited by examiner



**FIG. 1**



**FIG. 2**

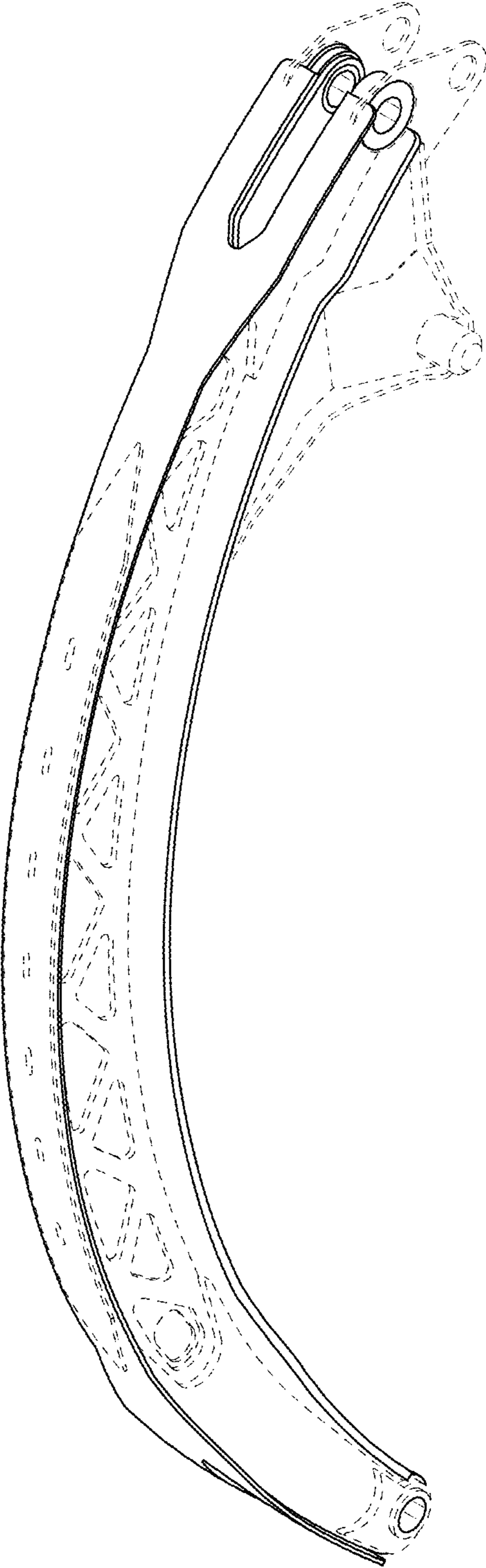


FIG. 3



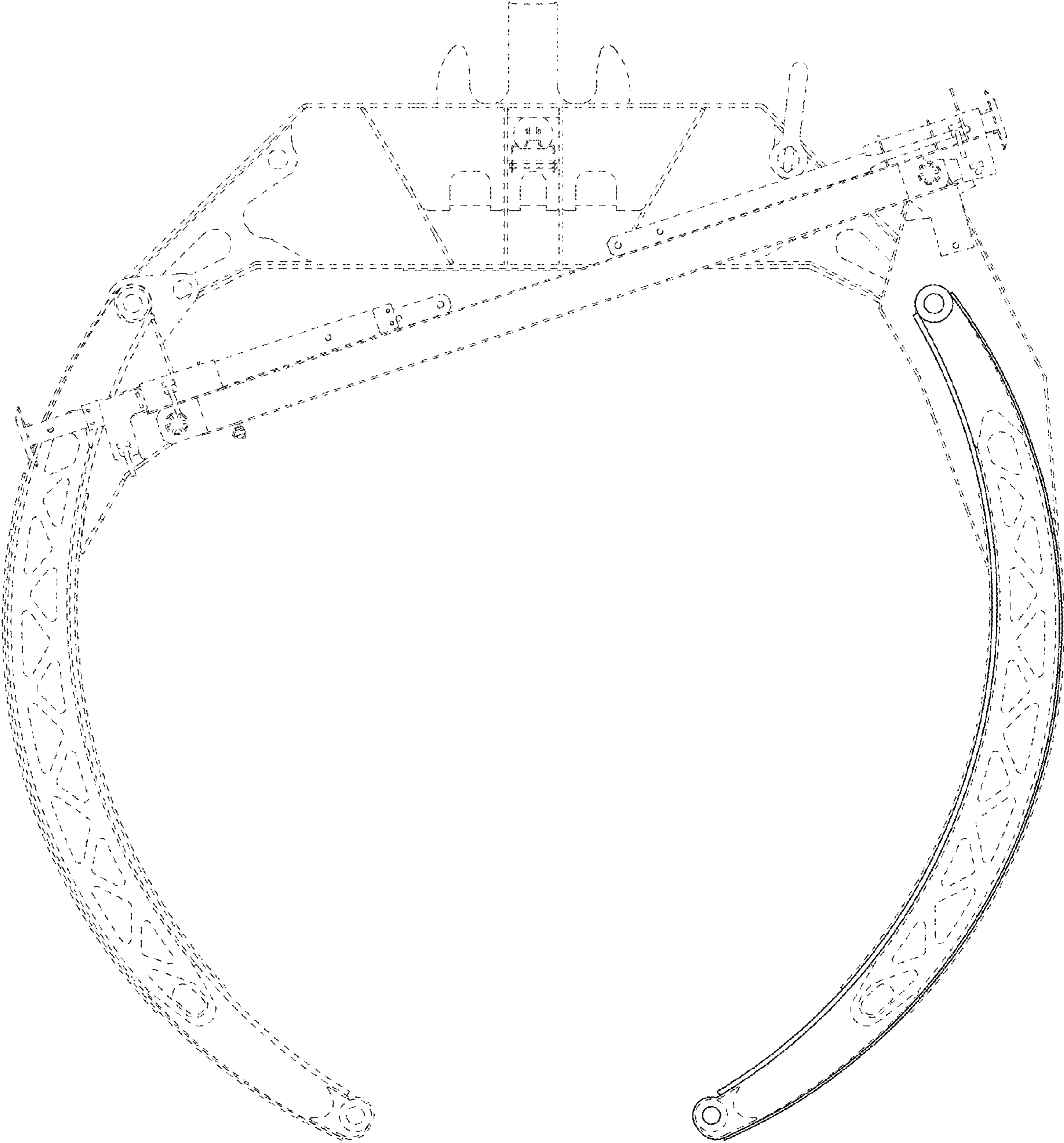
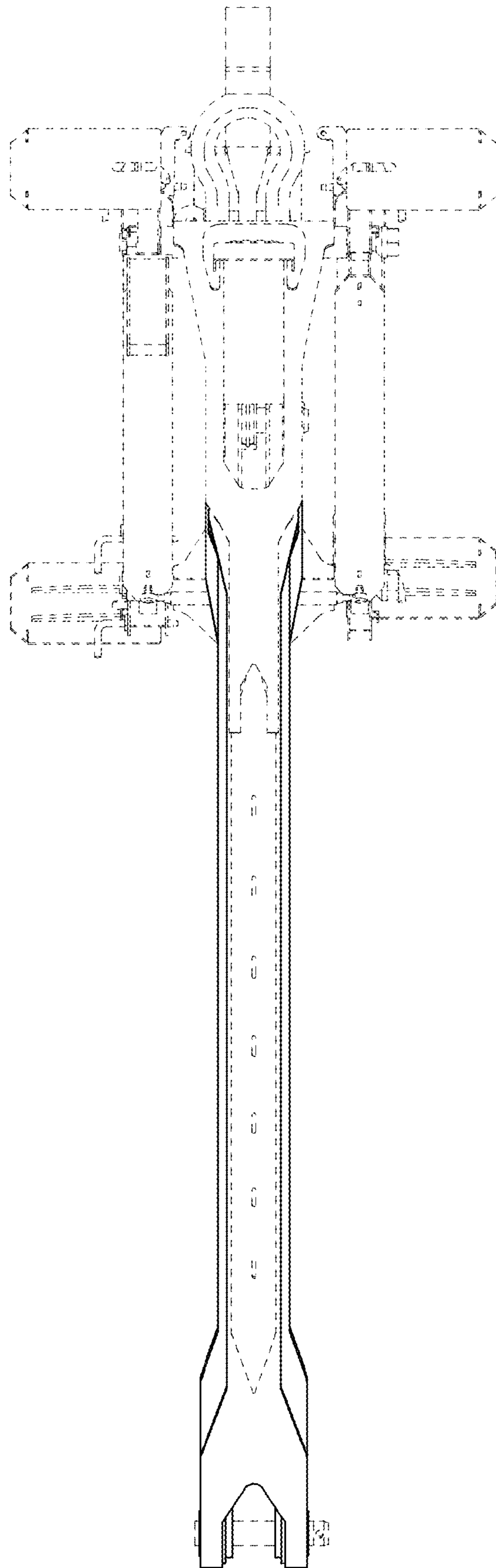


FIG. 4



**FIG. 5**