



US00D930051S

(12) **United States Design Patent**
Seggebruch

(10) **Patent No.:** **US D930,051 S**

(45) **Date of Patent:** **** Sep. 7, 2021**

- (54) **EXCAVATOR BUCKET**
- (71) Applicant: **Sega Ag Group, LLC**, Cissna Park, IL (US)
- (72) Inventor: **Jeremy D. Seggebruch**, Paxton, IL (US)
- (73) Assignee: **Sega Ag Group, LLC**, Cissna Park, IL (US)

5,526,591 A * 6/1996 Otwell E02F 3/40
37/379
5,815,959 A * 10/1998 Bahner E02F 3/401
37/444
5,909,961 A 6/1999 Pullman
6,070,345 A * 6/2000 Akaki E02F 3/40
37/407
D469,786 S * 2/2003 Miller D15/24
D533,883 S * 12/2006 Higashikawa D15/32
D551,684 S 9/2007 McClallen et al.

(Continued)

(**) Term: **15 Years**

Primary Examiner — Mark A Goodwin

(74) *Attorney, Agent, or Firm* — Philip L. Bateman

(21) Appl. No.: **29/738,056**

(57) **CLAIM**

The ornamental design for an excavator bucket, as shown and described.

(22) Filed: **Jun. 15, 2020**

(51) **LOC (13) Cl.** **15-03**

(52) **U.S. Cl.**
USPC **D15/32**

DESCRIPTION

(58) **Field of Classification Search**
USPC D15/28, 29, 32
CPC E02F 3/40; E02F 3/96; E02F 3/04; E02F 3/962; E02F 3/404; E02F 3/401; E02F 9/24; E02F 9/28; B65G 2812/02742; B65G 17/36

FIG. 1 is a front and right side perspective view of a first embodiment of an excavator bucket showing my new design;
FIG. 2 is a rear and left side perspective view thereof;
FIG. 3 is a top plan view thereof;
FIG. 4 is a bottom plan view thereof;
FIG. 5 is a front elevation view thereof;
FIG. 6 is a rear elevation view thereof;
FIG. 7 is a left side elevation view thereof;
FIG. 8 is a right side elevation view thereof;
FIG. 9 is a front and right side perspective view of a second embodiment of an excavator bucket showing my new design;
FIG. 10 is a rear and left side perspective view thereof;
FIG. 11 is a top plan view thereof;
FIG. 12 is a bottom plan view thereof;
FIG. 13 is a front elevation view thereof;
FIG. 14 is a rear elevation view thereof;
FIG. 15 is a left side elevation view thereof; and,
FIG. 16 is a right side elevation view thereof.

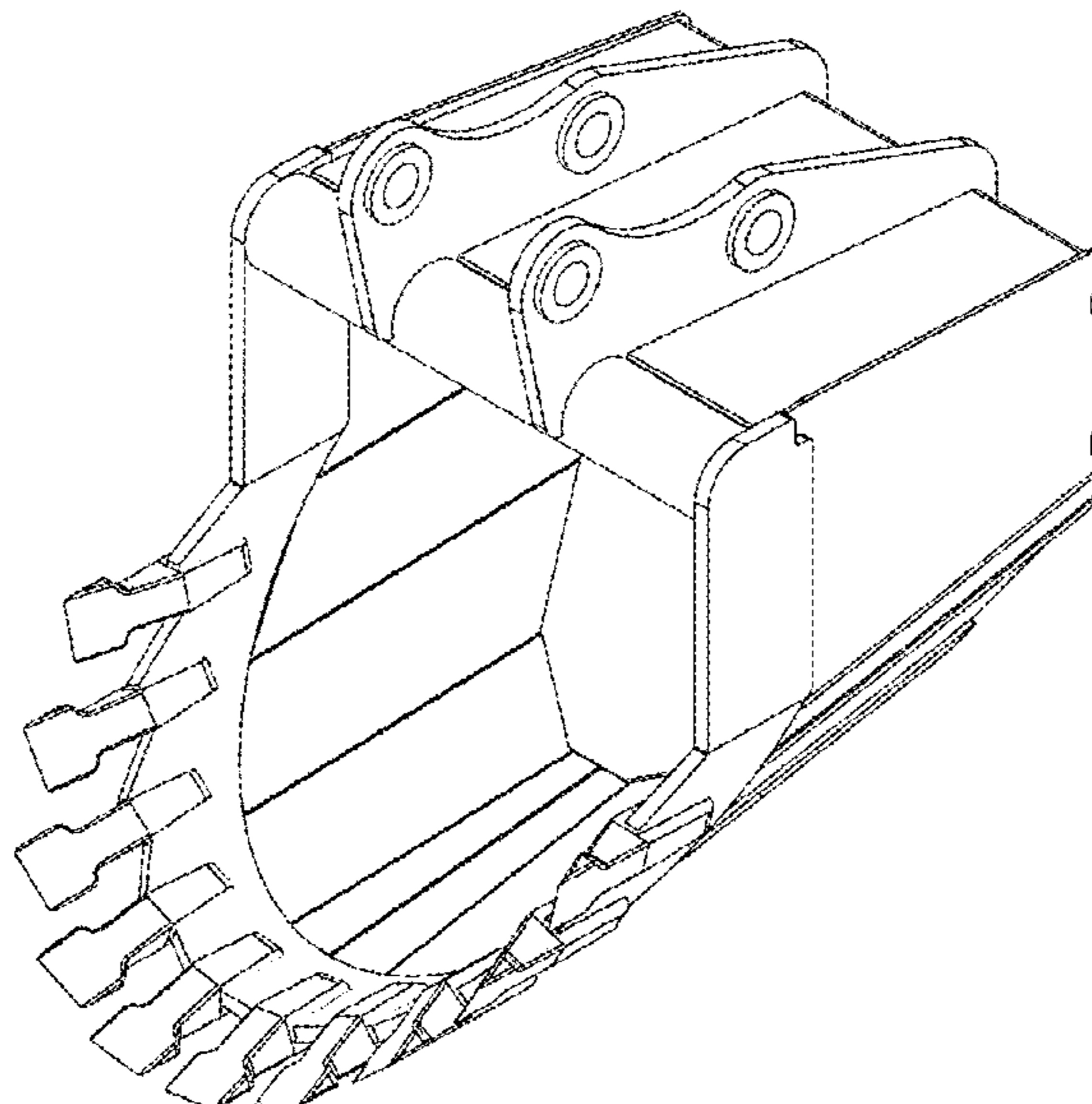
See application file for complete search history.

(56) **References Cited**

U.S. PATENT DOCUMENTS

2,652,639 A	9/1953	Kluchkohn	
2,770,076 A	11/1956	Kluchkohn	
4,123,861 A *	11/1978	Hemphill E02F 3/40 37/195
4,133,121 A *	1/1979	Hemphill E02F 3/3604 37/444
D274,622 S *	7/1984	Neander D15/32
D299,239 S *	1/1989	Henningsen D15/28
D299,240 S *	1/1989	Henningsen D15/28
D299,723 S *	2/1989	Frawley D15/32
4,903,418 A	2/1990	Loudon	
D308,528 S *	6/1990	Harr D15/32
D357,260 S *	4/1995	Kallen D15/32

1 Claim, 16 Drawing Sheets



(56)

References Cited

U.S. PATENT DOCUMENTS

7,832,128 B2 11/2010 Doucette et al.
8,069,593 B2 * 12/2011 McClallen E02F 3/40
37/444
D766,995 S * 9/2016 Annetts D15/32
D807,407 S * 1/2018 Takagi D15/32
D875,791 S * 2/2020 Edavankattil D15/32
D881,239 S * 4/2020 Gregory D15/32
D917,583 S * 4/2021 Coulson F24F 11/30
D15/32
2002/0192064 A1 * 12/2002 Heiple E02F 3/3663
414/723

* cited by examiner

FIG. 1

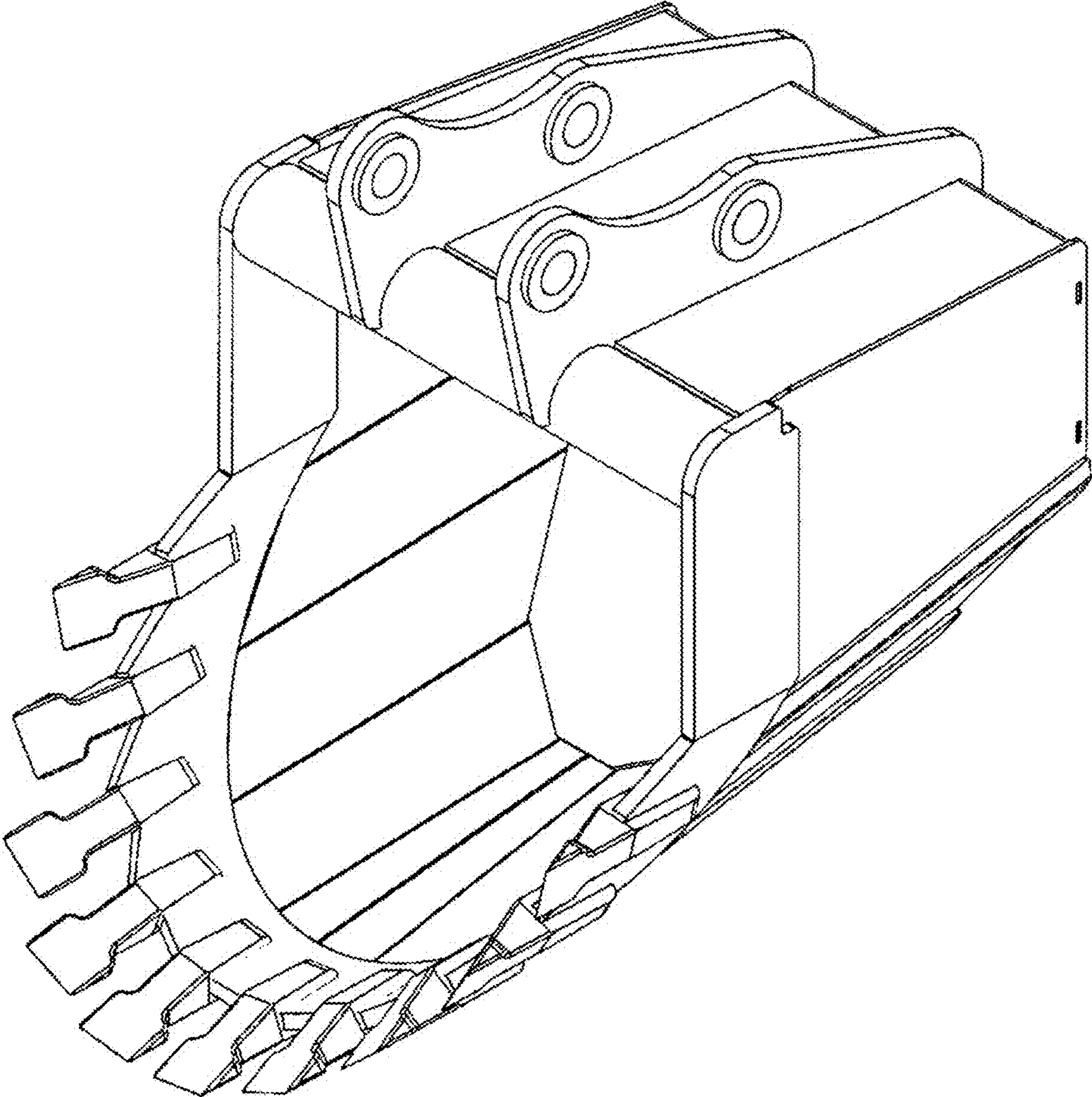


FIG. 2

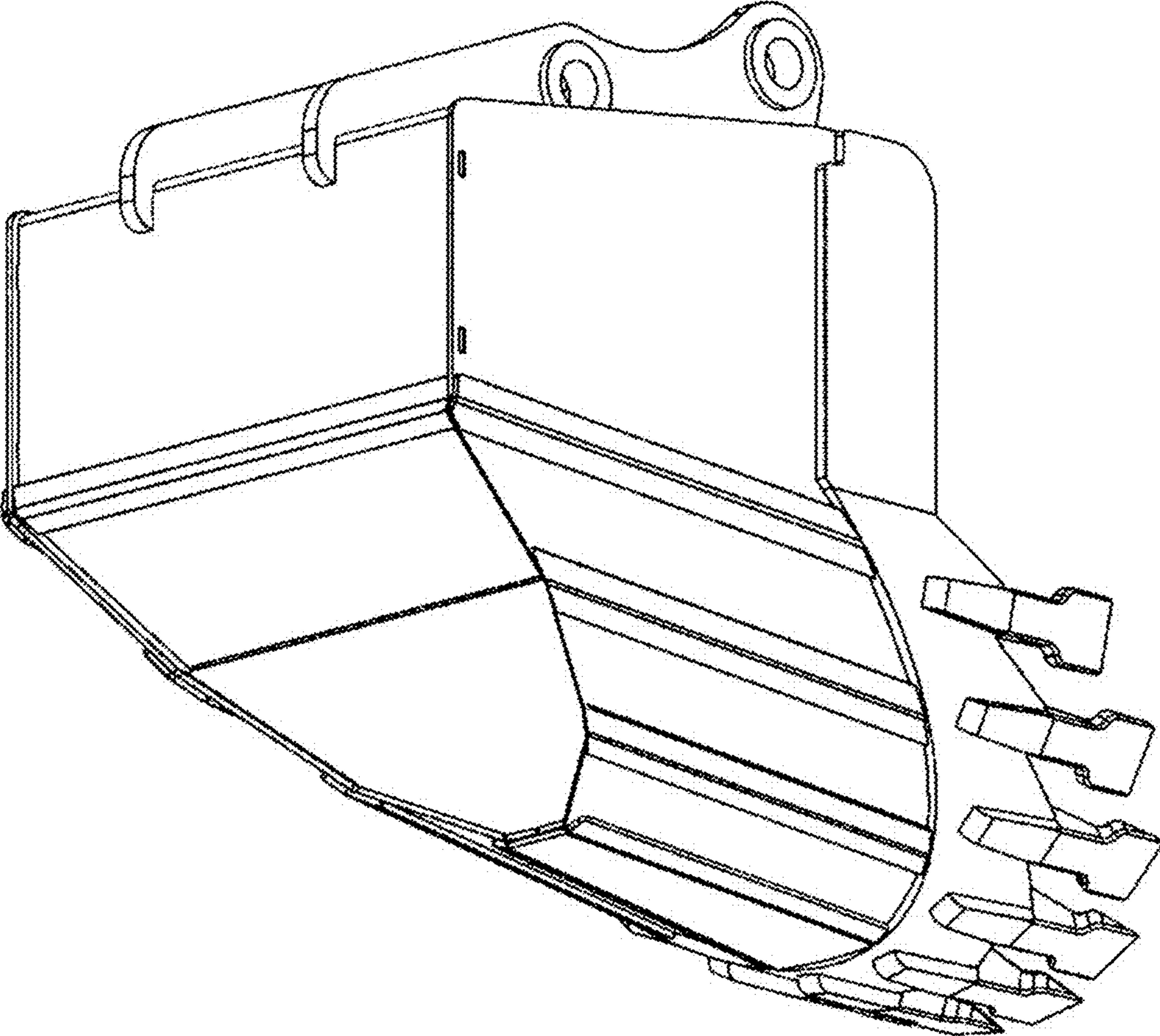


FIG. 3

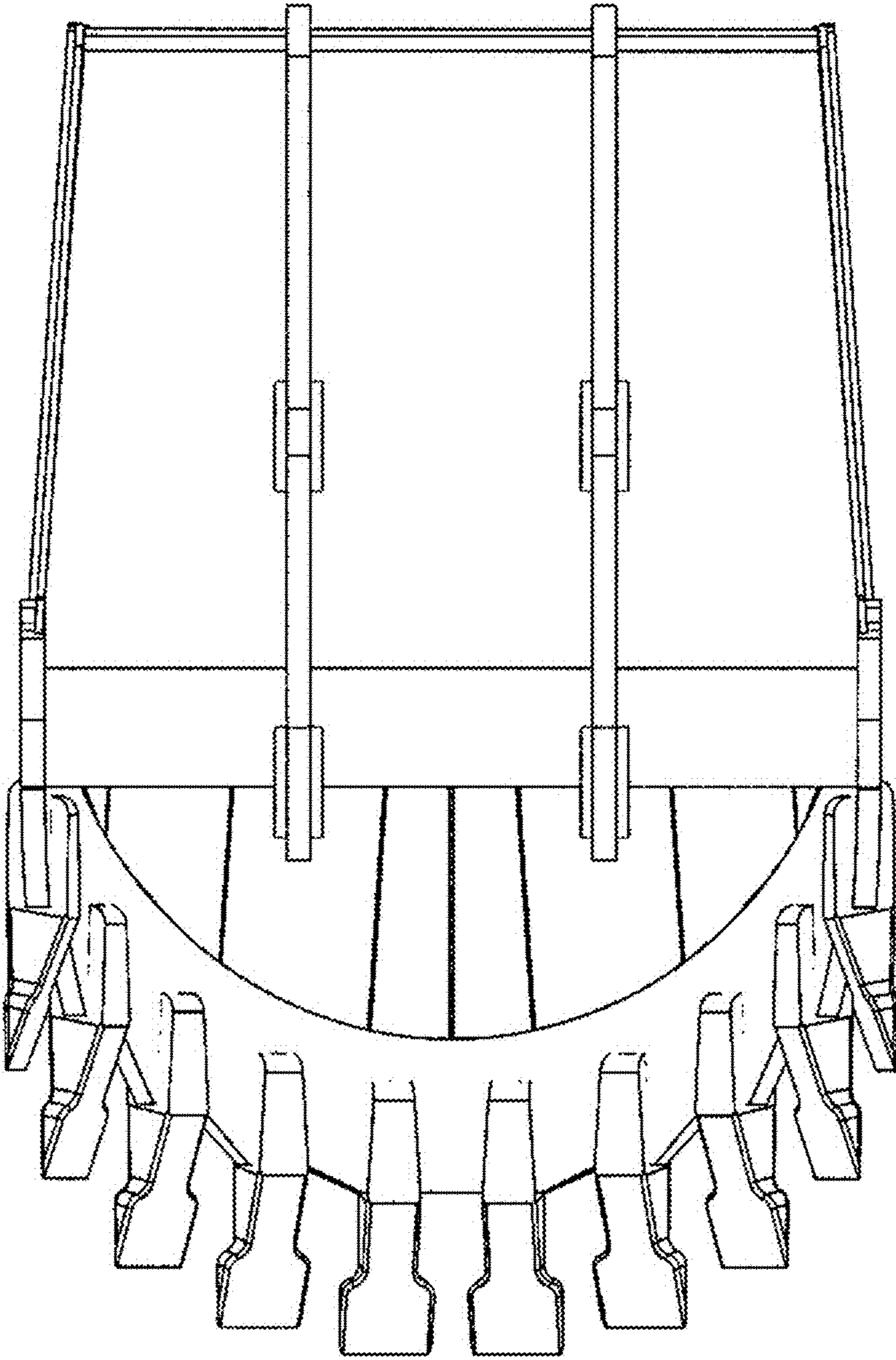


FIG. 4

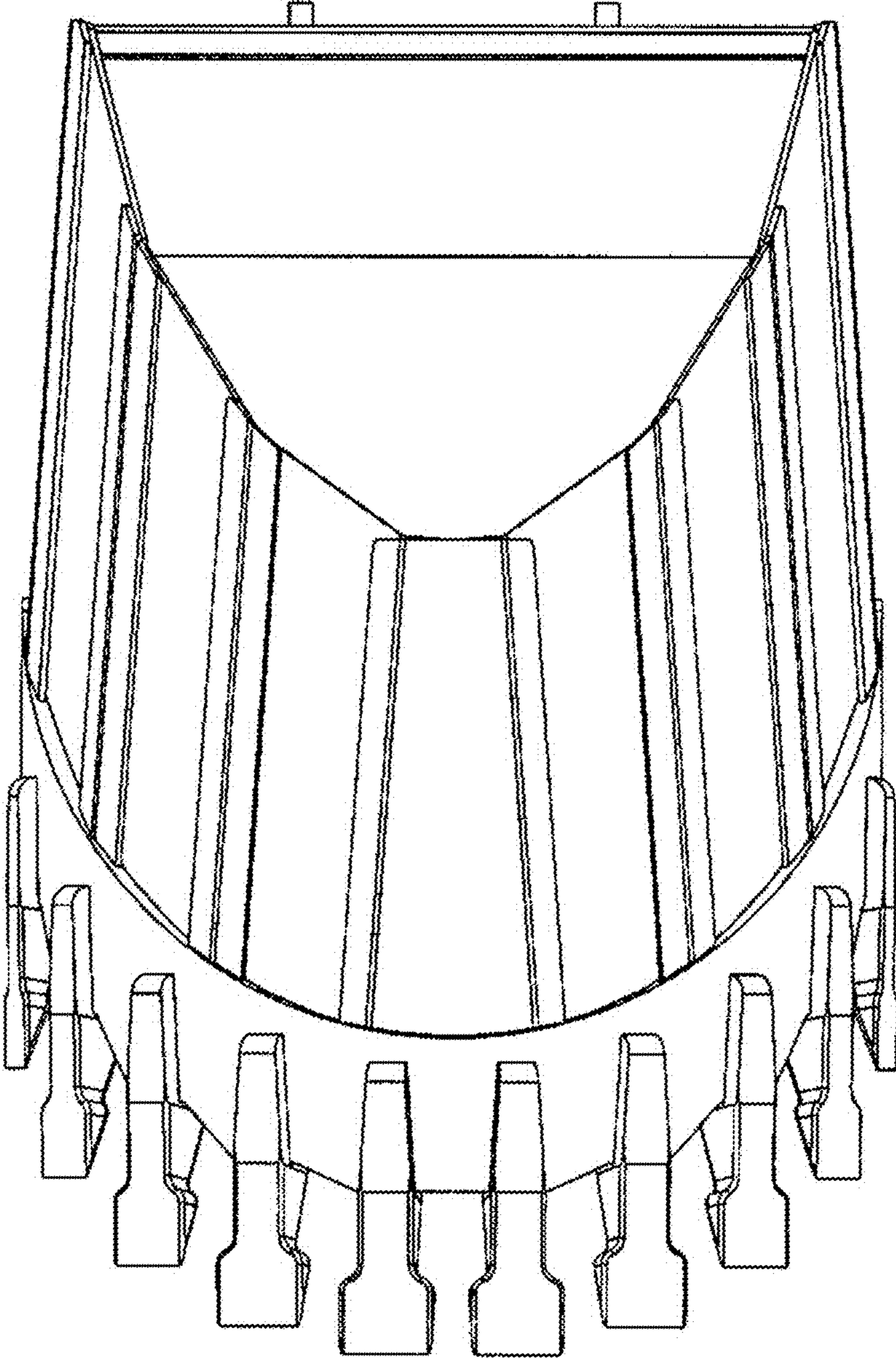


FIG. 5

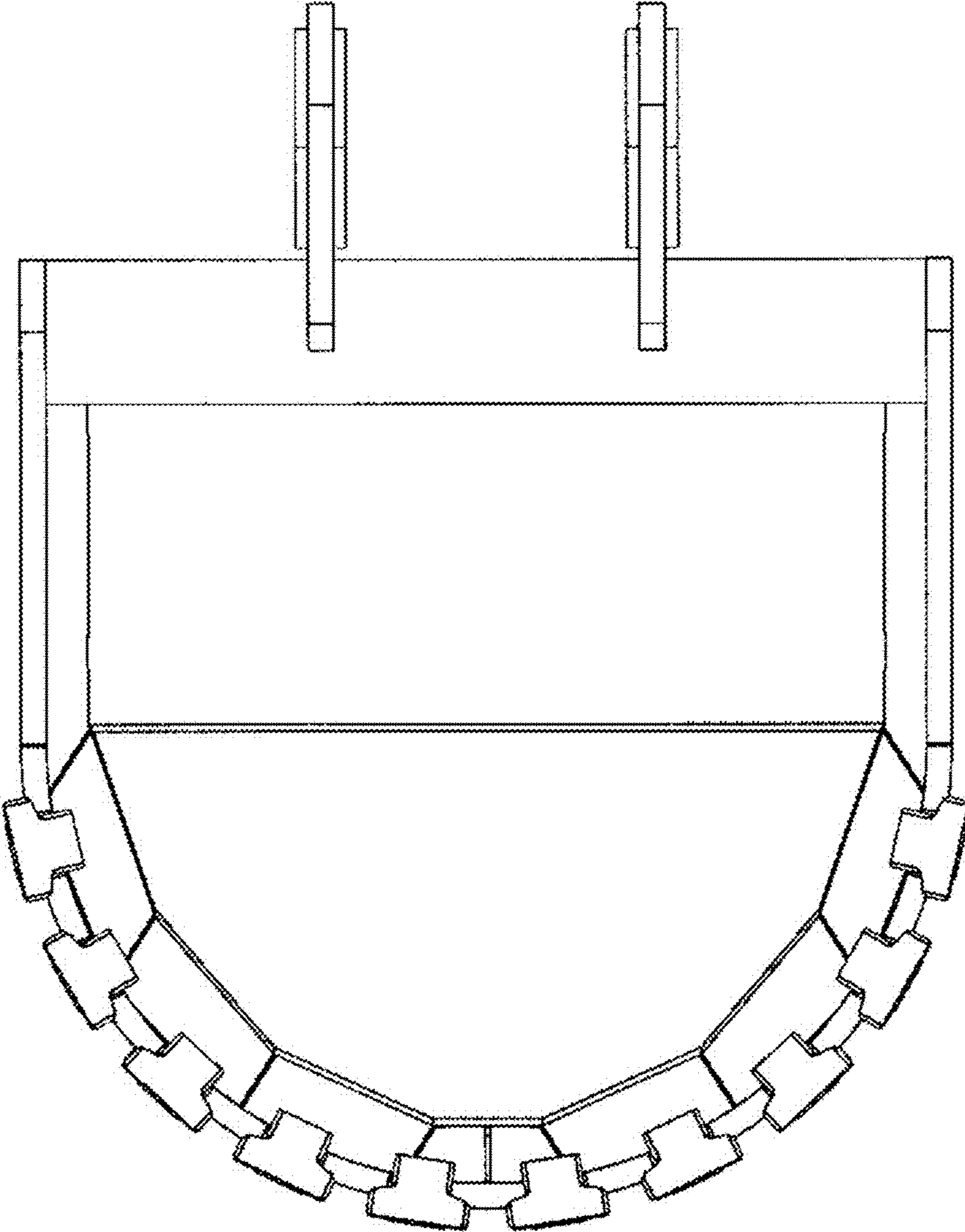


FIG. 6

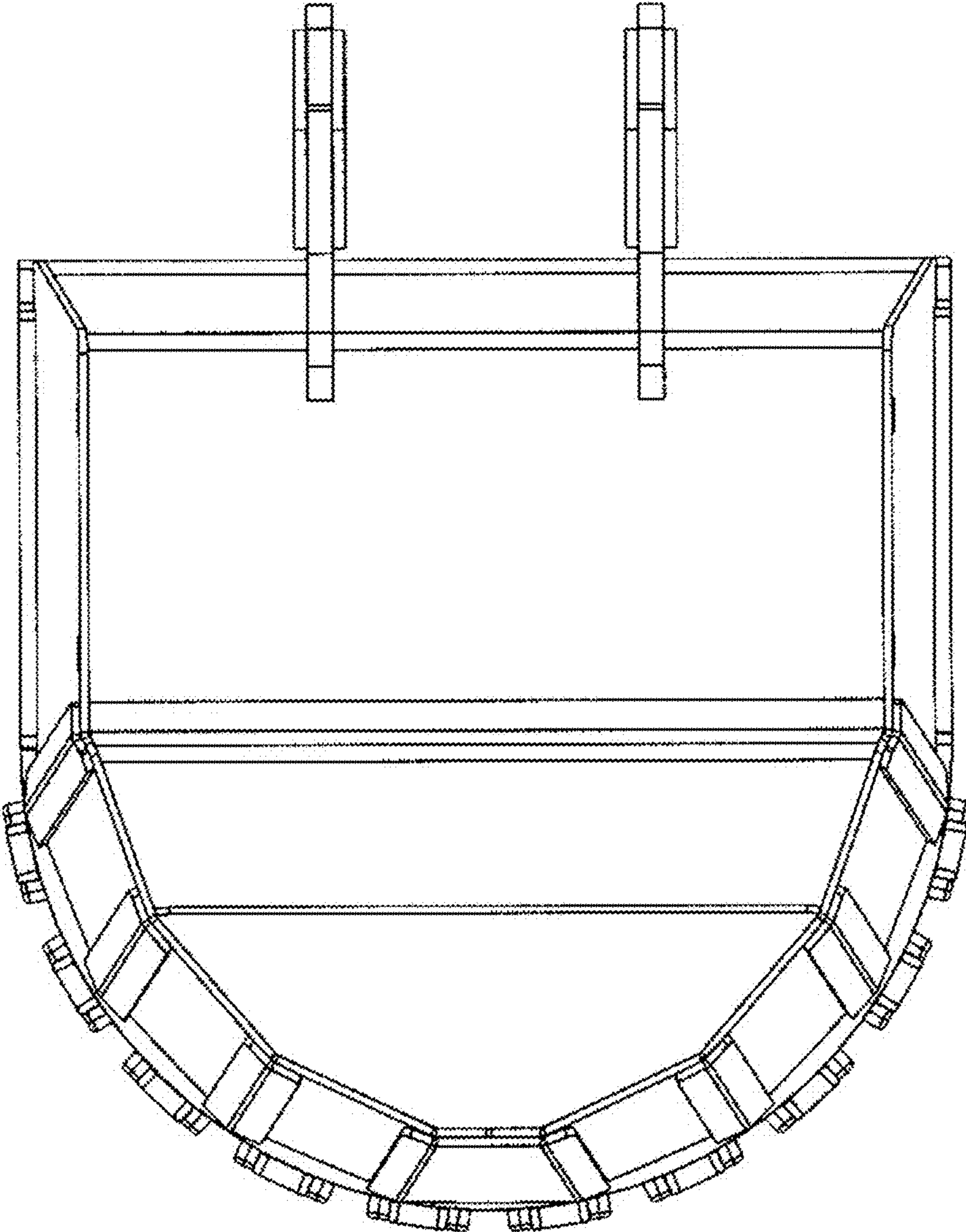


FIG. 7

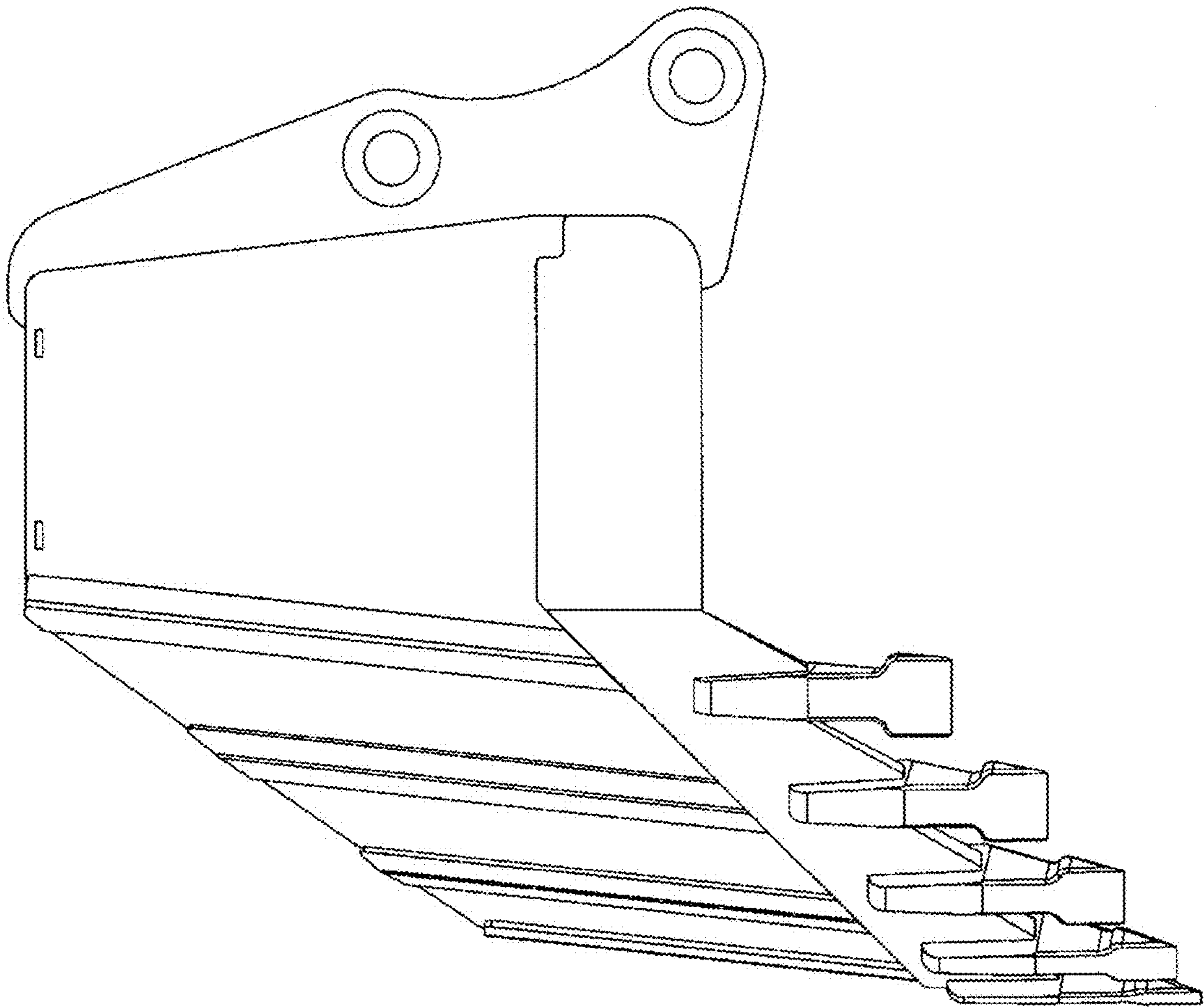


FIG. 8

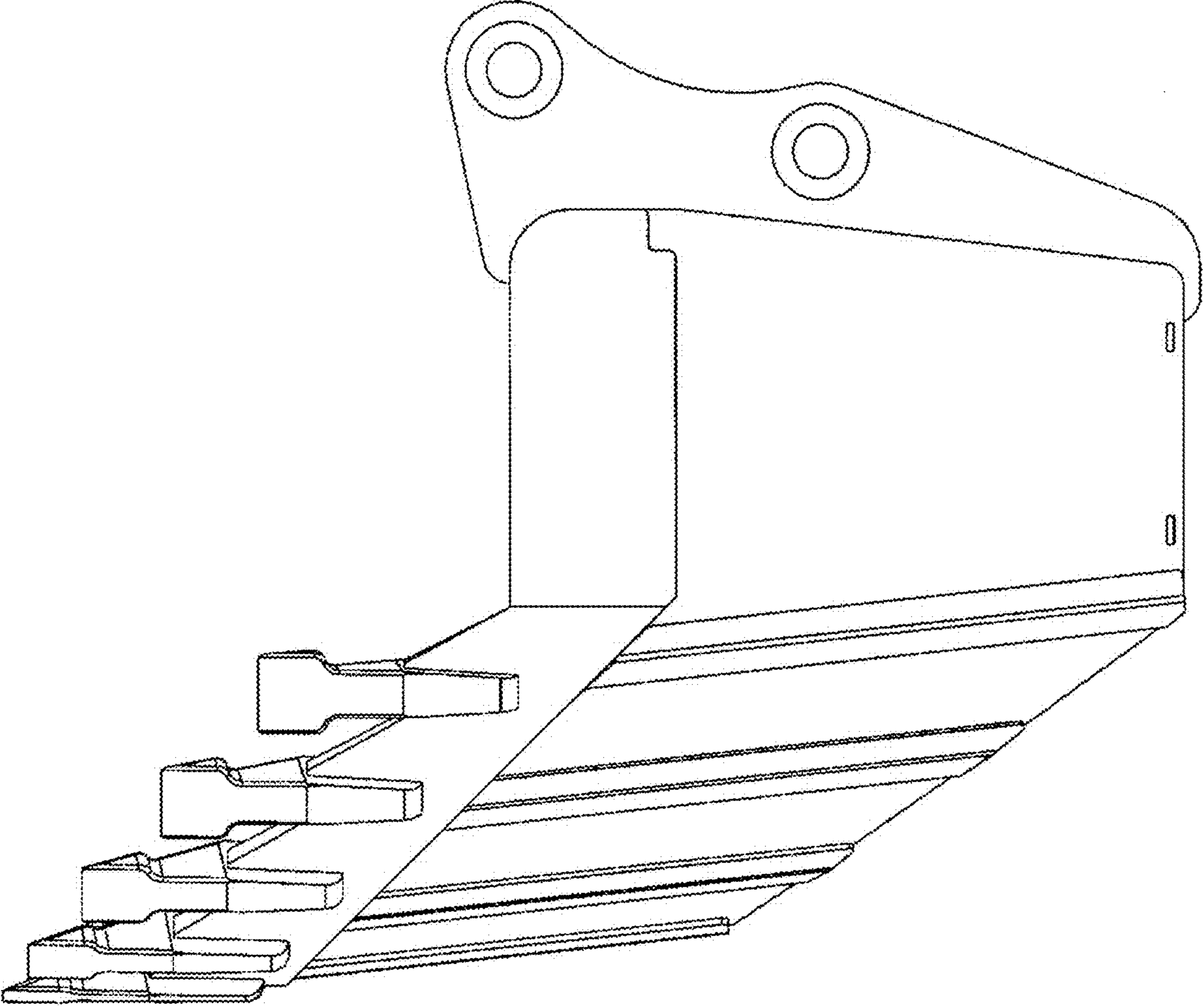


FIG. 9

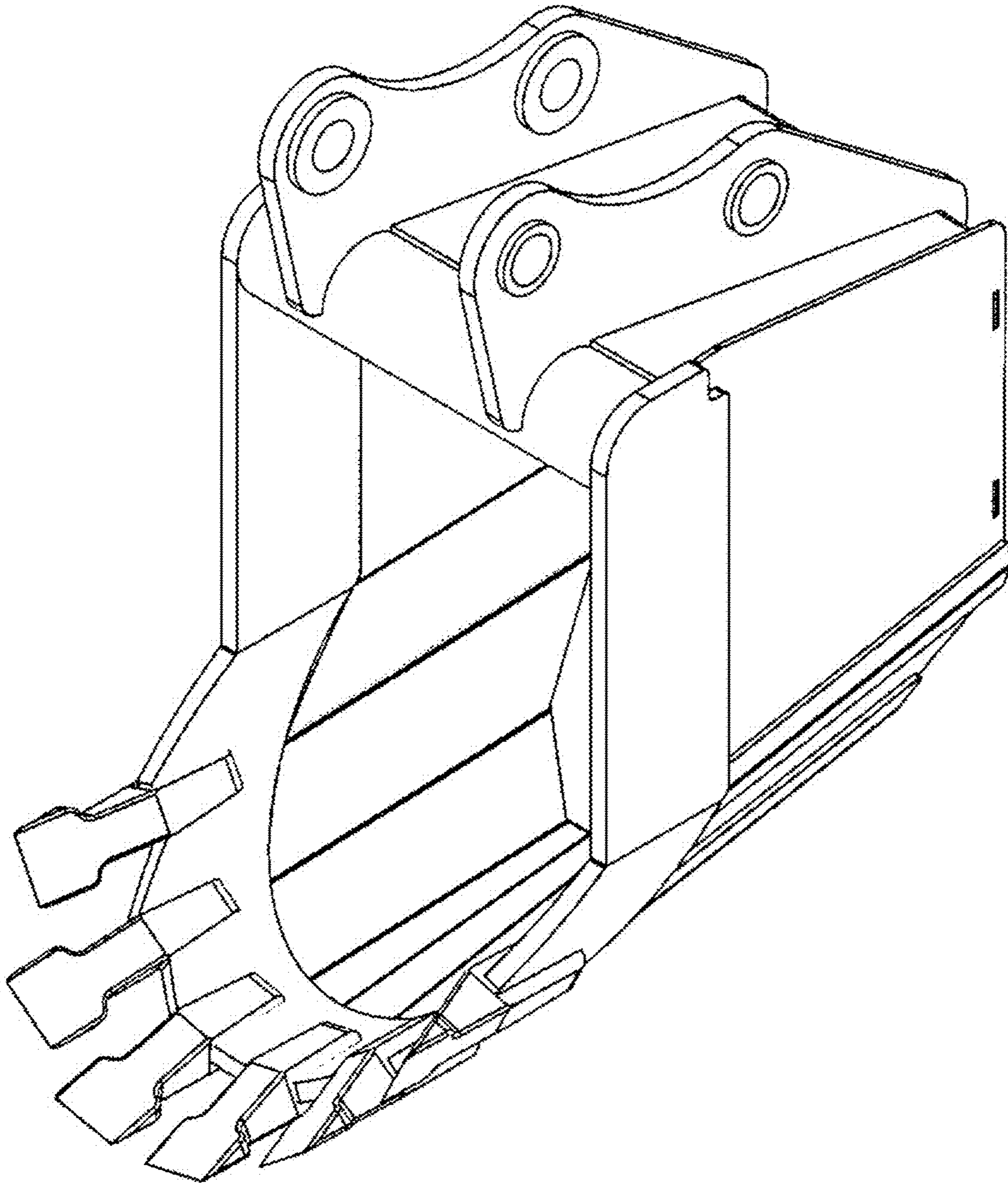


FIG. 10

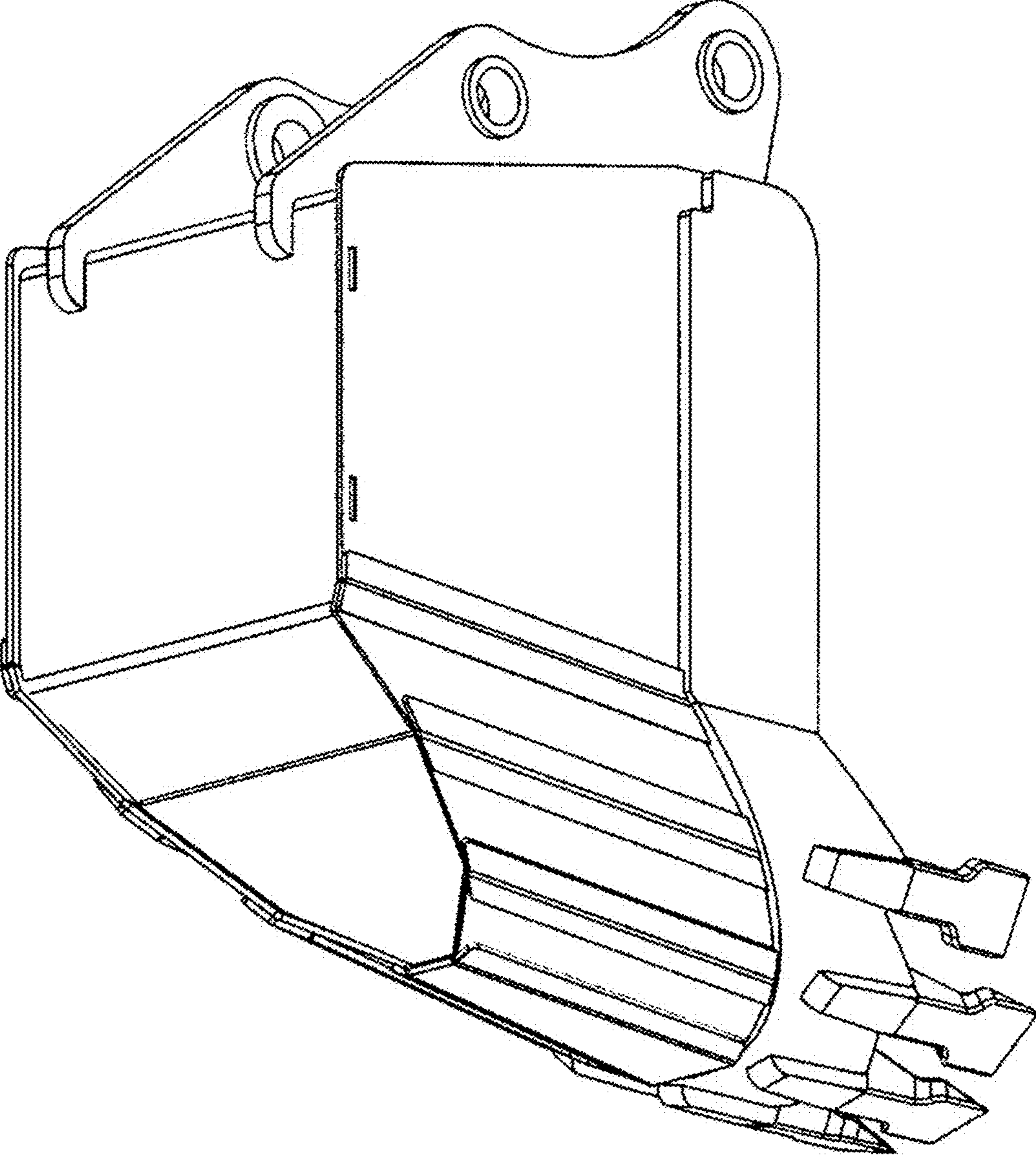


FIG. 11

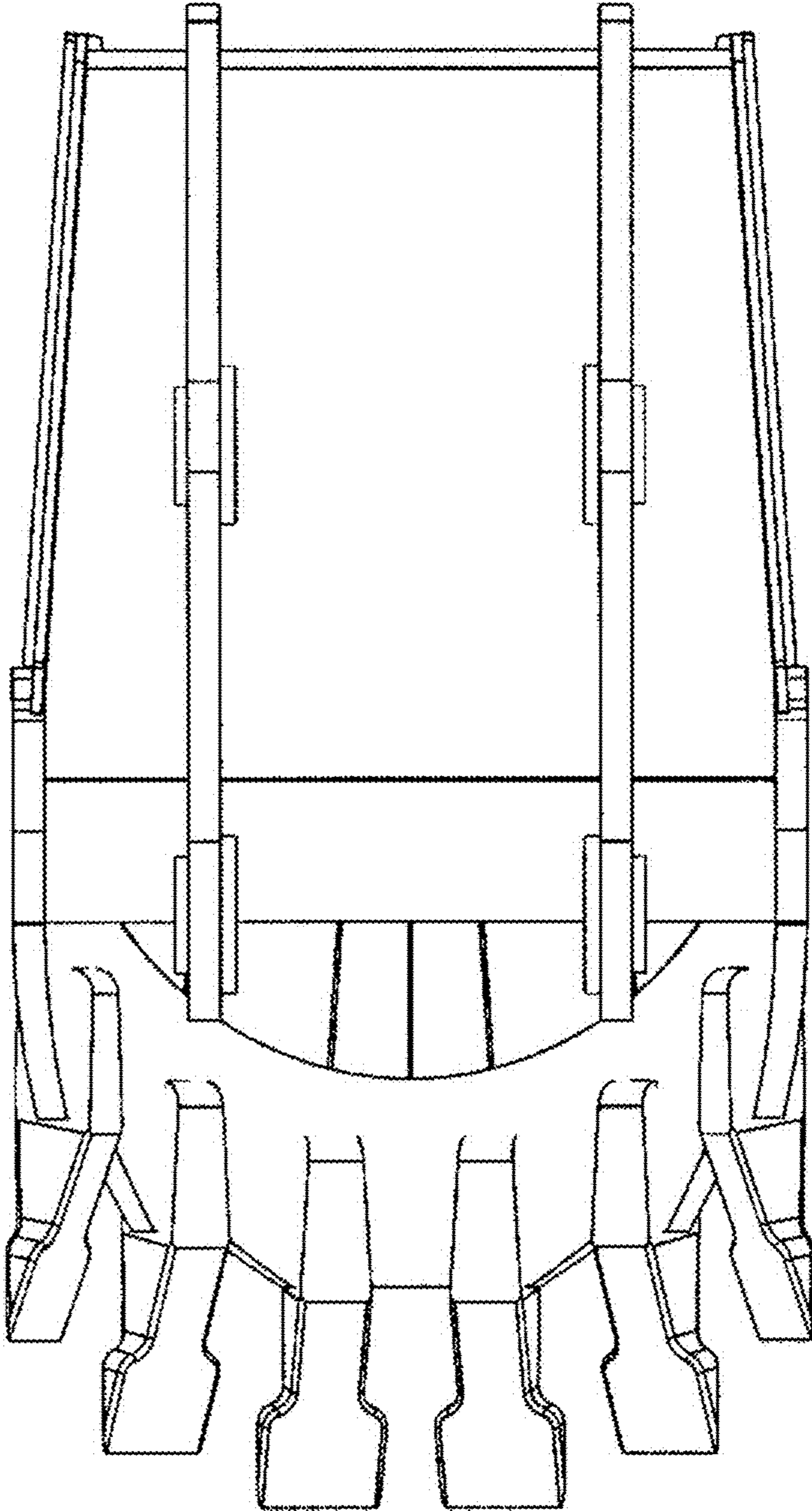


FIG. 12

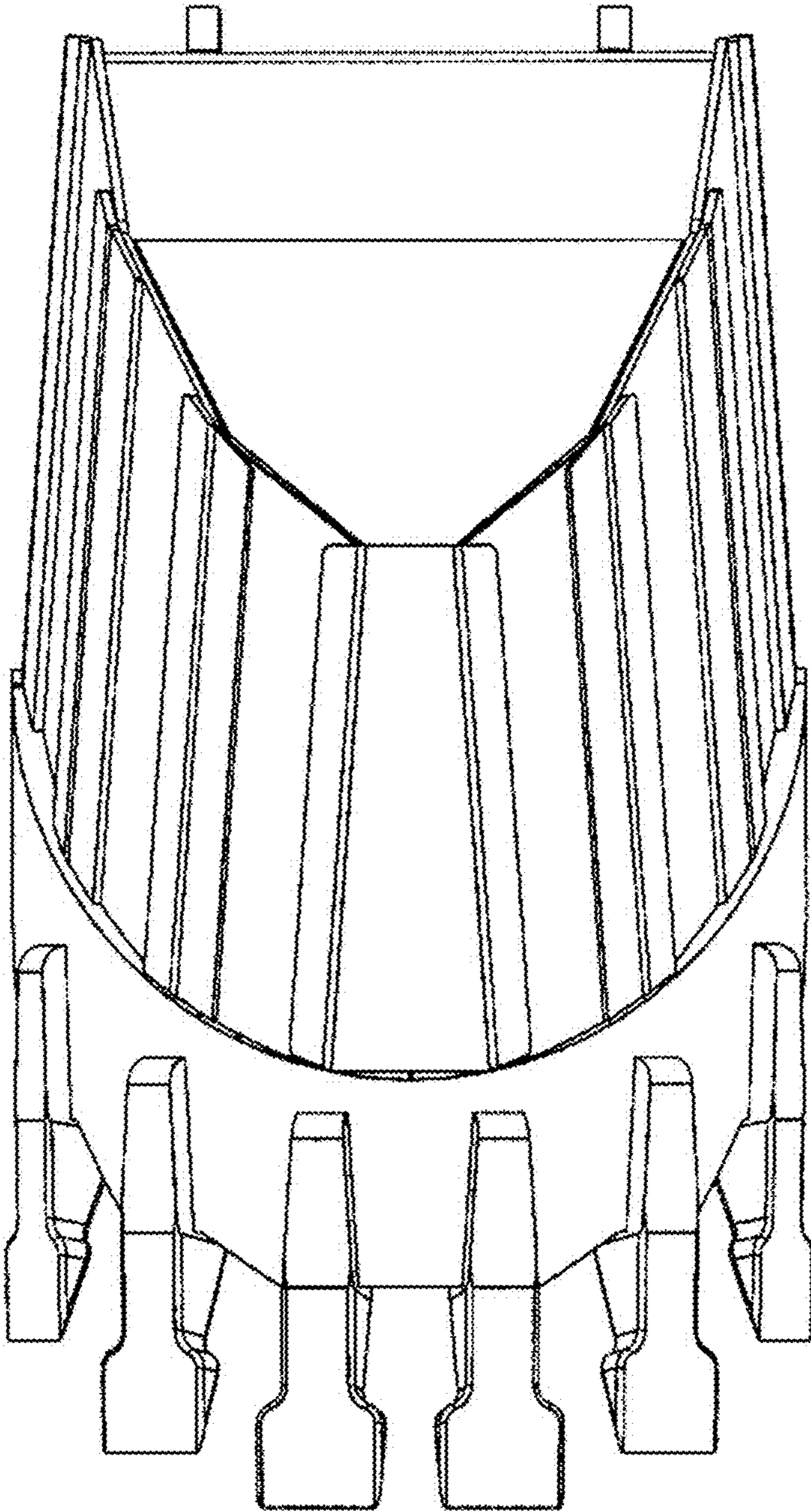


FIG. 13

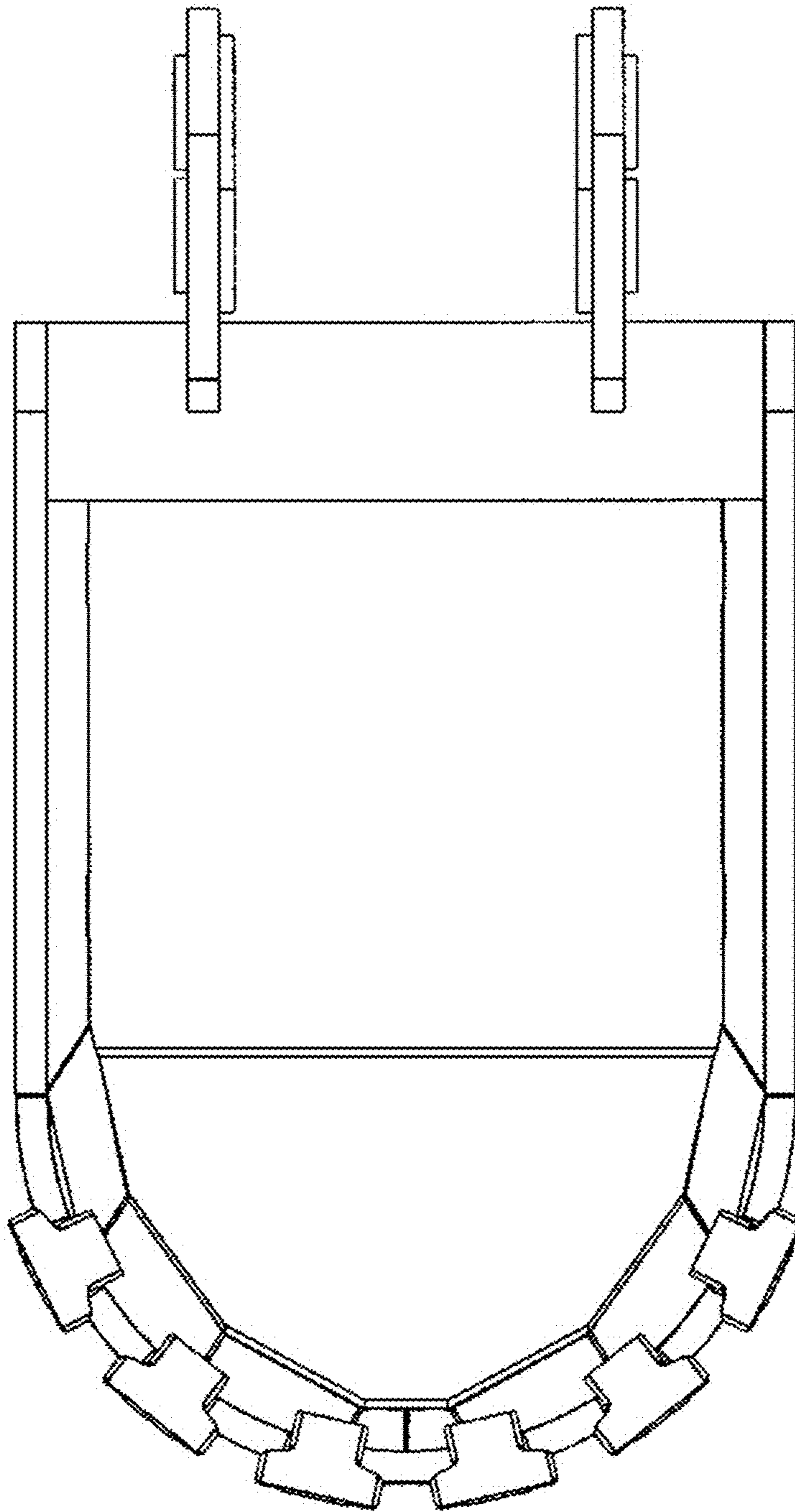


FIG. 14

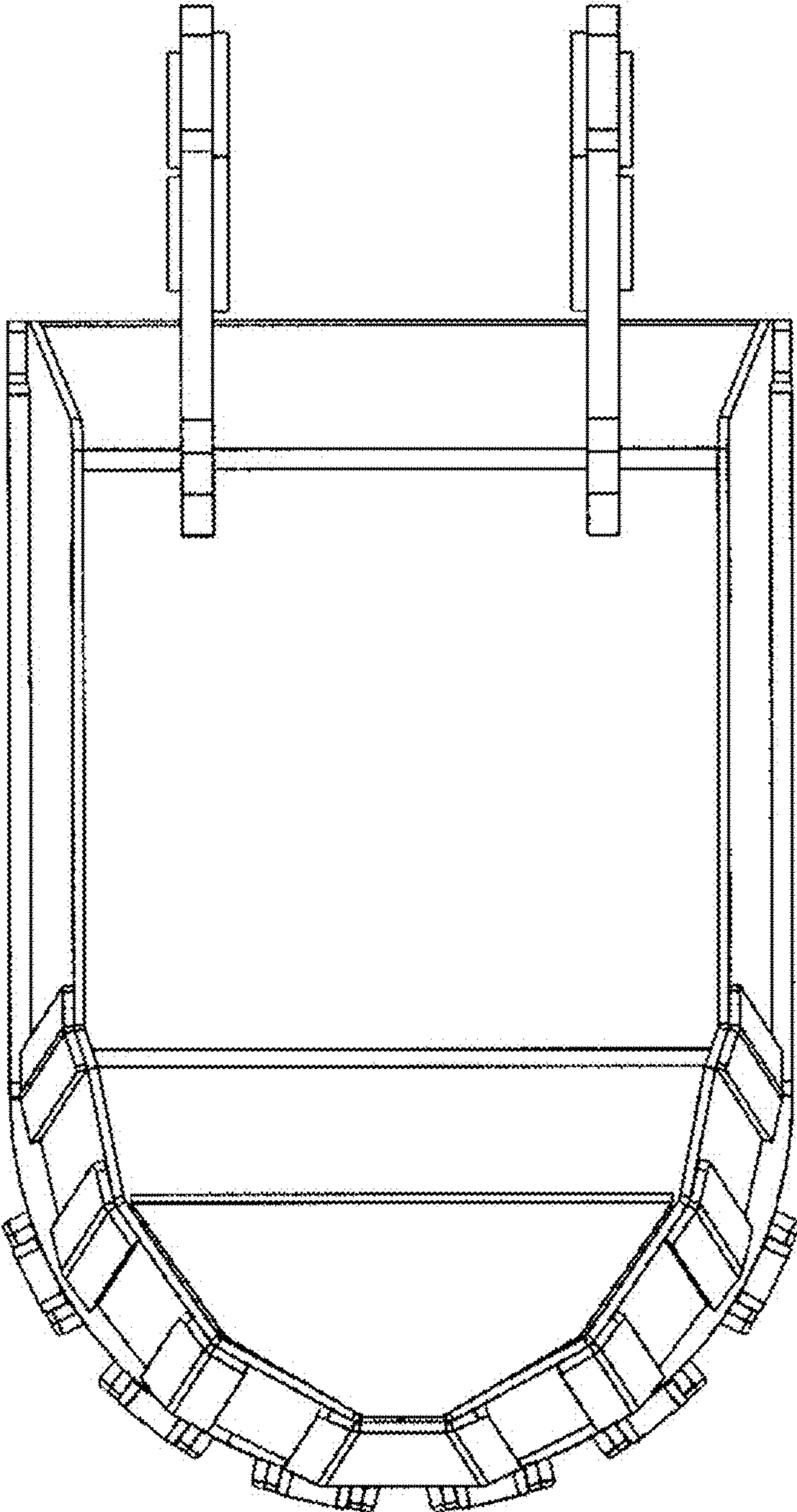


FIG. 15

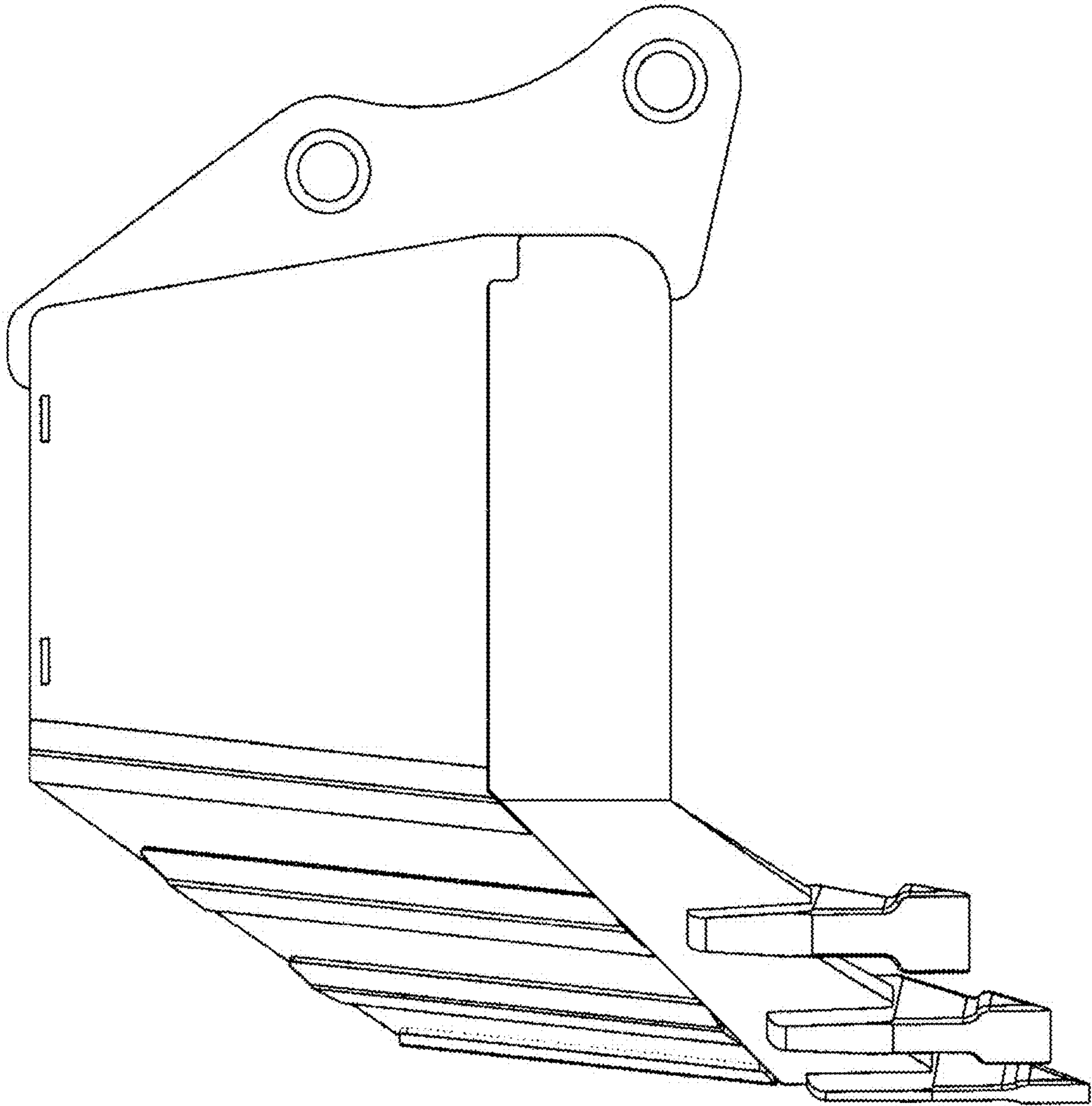


FIG. 16

