



US00D930050S

(12) **United States Design Patent** (10) **Patent No.:** **US D930,050 S**
Zuo et al. (45) **Date of Patent:** **** Sep. 7, 2021**

- (54) **CAB**
- (71) Applicant: **Caterpillar Inc.**, Peoria, IL (US)
- (72) Inventors: **Delong Zuo**, Wuxi (CN); **Yi Tao**, Wuxi (CN); **Heling Yuan**, Wuxi (CN); **Brent R. Frazier**, Morton, IL (US)
- (73) Assignee: **Caterpillar Inc.**, Peoria, IL (US)
- (**) Term: **15 Years**
- (21) Appl. No.: **29/752,590**
- (22) Filed: **Sep. 28, 2020**

Related U.S. Application Data

- (62) Division of application No. 29/616,749, filed on Sep. 8, 2017, now abandoned.

Foreign Application Priority Data

- (30) Mar. 10, 2017 (CN) 201730068684.3

- (51) **LOC (13) Cl.** **15-03**
- (52) **U.S. Cl.**
USPC **D15/30**

- (58) **Field of Classification Search**
USPC D15/28, 30, 31, 22-26; D34/37
CPC .. B66C 13/54; E02F 9/16; E02F 9/163; E02F 9/06; B62D 33/0617; B62D 49/00-085; B62D 33/06-073; B60J 7/00; B60J 1/004; B60J 1/02; B60J 1/04; B60J 5/0487
See application file for complete search history.

(56) **References Cited**

U.S. PATENT DOCUMENTS

- D236,746 S * 9/1975 Dunlap et al. D15/30
- D249,523 S 9/1978 Segales
- 5,842,649 A 12/1998 Beck et al.
- D424,580 S 5/2000 Moehle et al.

- D455,763 S 4/2002 Brandenburg, III et al.
- D497,920 S 11/2004 Antonetti
- D528,134 S 9/2006 Vandendriessche et al.
- D531,646 S 11/2006 McCarren, Jr. et al.
- D531,647 S 11/2006 Stender et al.
- D535,310 S * 1/2007 Kuwae D15/30
- D541,825 S 5/2007 Pettersson
- D541,826 S 5/2007 Brush et al.
- D549,245 S 8/2007 Antonetti
- D561,205 S 2/2008 Pettersson
- D579,028 S 10/2008 VanDeVeer et al.
- D603,881 S 11/2009 Tamplain, III et al.
- D605,207 S 12/2009 Menges et al.
- D660,881 S 5/2012 Böhme et al.
- D667,851 S 9/2012 Warr
- D668,693 S 10/2012 Ringer
- D670,745 S 11/2012 Warr
- D671,566 S 12/2012 Fang et al.
- D681,691 S * 5/2013 Takagi D15/30
- D702,264 S * 4/2014 Huissoon D15/30

(Continued)

FOREIGN PATENT DOCUMENTS

- KR 20160017485 A 2/2016
- WO 2019176453 A1 9/2019

Primary Examiner — Mark A Goodwin

(74) *Attorney, Agent, or Firm* — von Briesen & Roper, s.c.

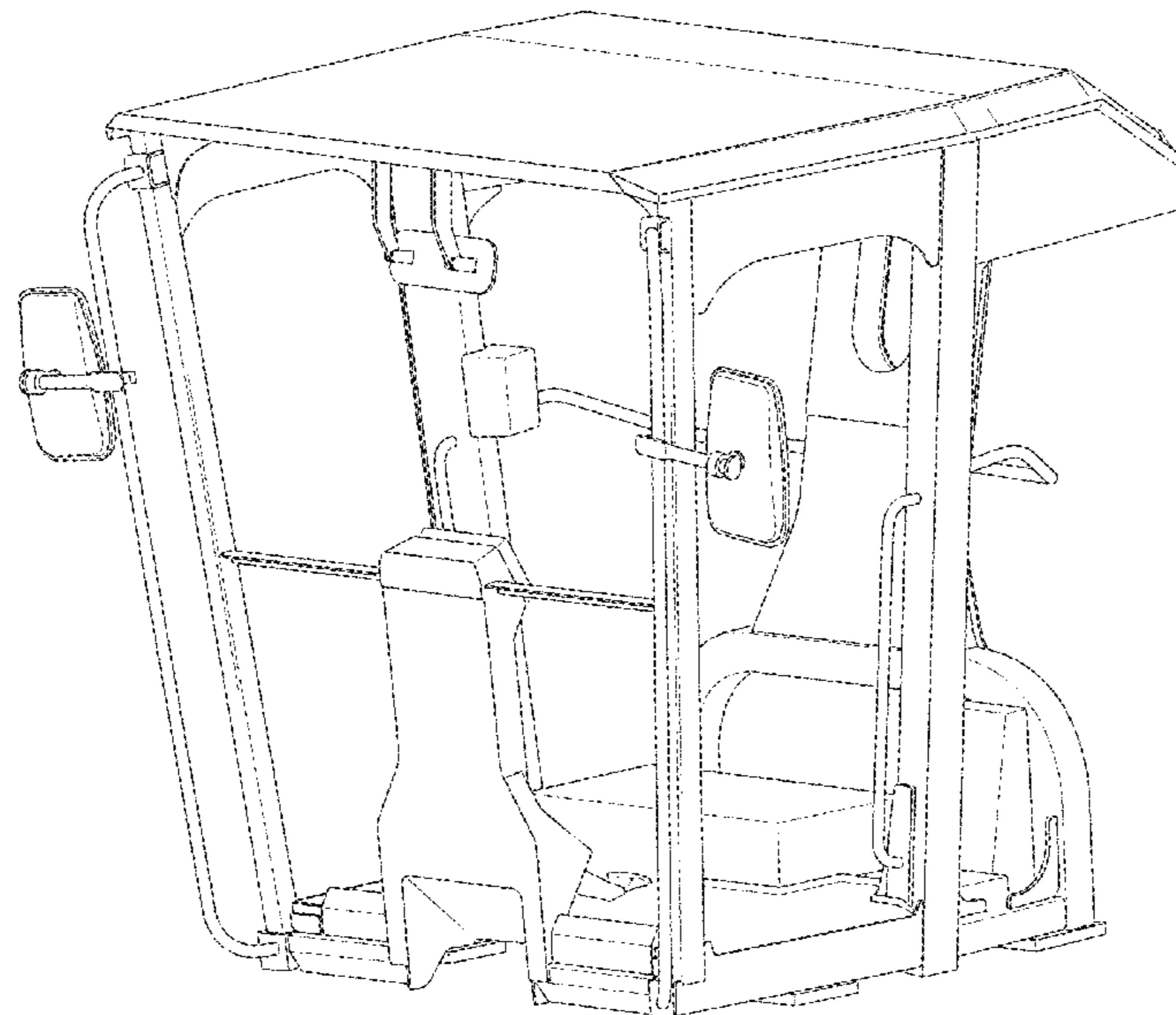
(57) **CLAIM**

The ornamental design for a cab, as shown and described.

DESCRIPTION

FIG. 1 is a front view of a cab showing our new design;
 FIG. 2 is a rear view thereof;
 FIG. 3 is a right side view thereof;
 FIG. 4 is a left side view thereof;
 FIG. 5 is a top view thereof;
 FIG. 6 is a bottom view thereof; and,
 FIG. 7 is a perspective view thereof.

1 Claim, 7 Drawing Sheets



(56)

References Cited

U.S. PATENT DOCUMENTS

D720,370 S	12/2014	Carter et al.
D749,148 S	2/2016	Darekar et al.
D775,244 S	12/2016	Hart et al.
D780,232 S	2/2017	Saari et al.
D874,524 S	2/2020	Iwata et al.
D877,209 S	3/2020	Winkel et al.

* cited by examiner

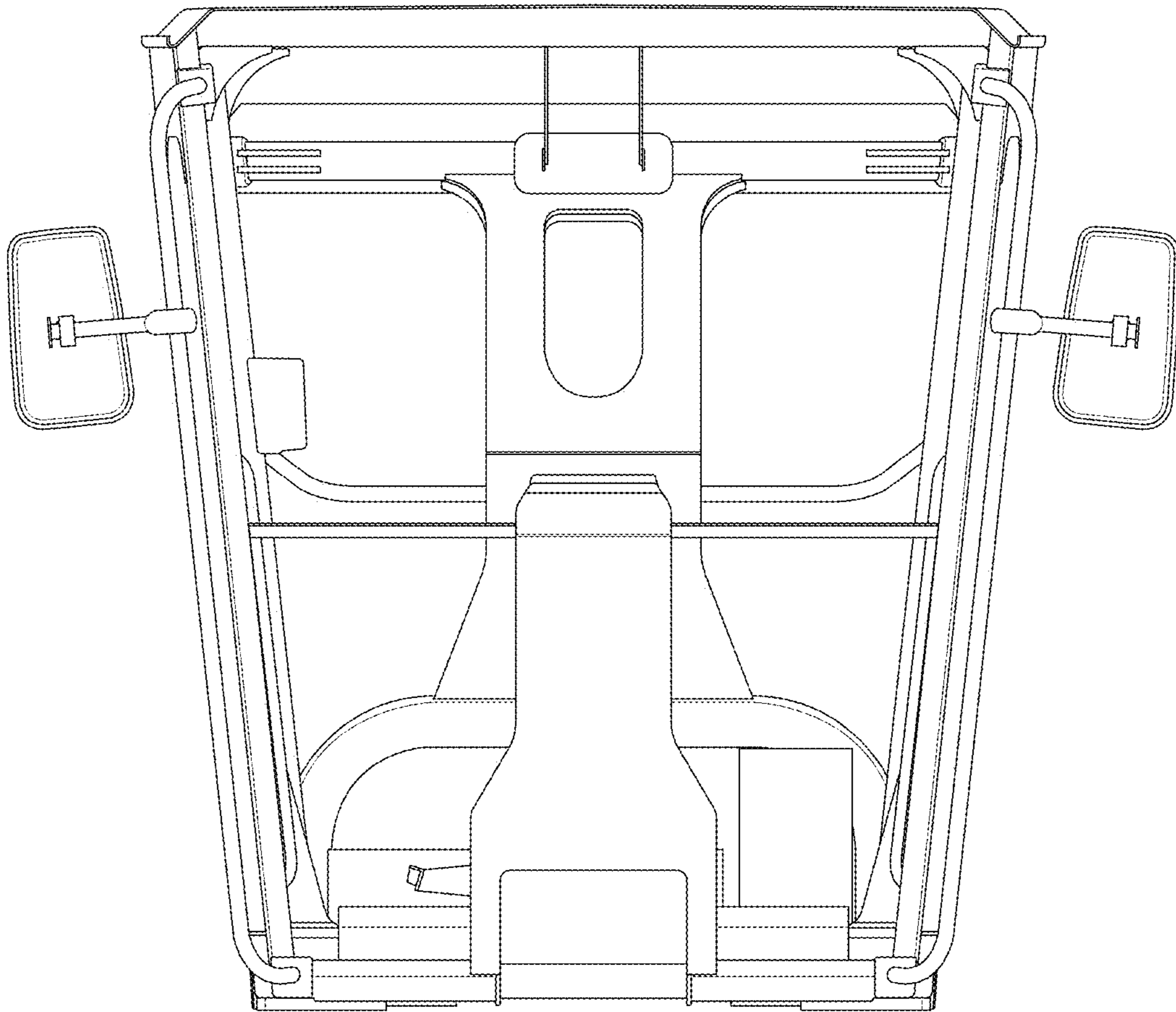


FIG. 1

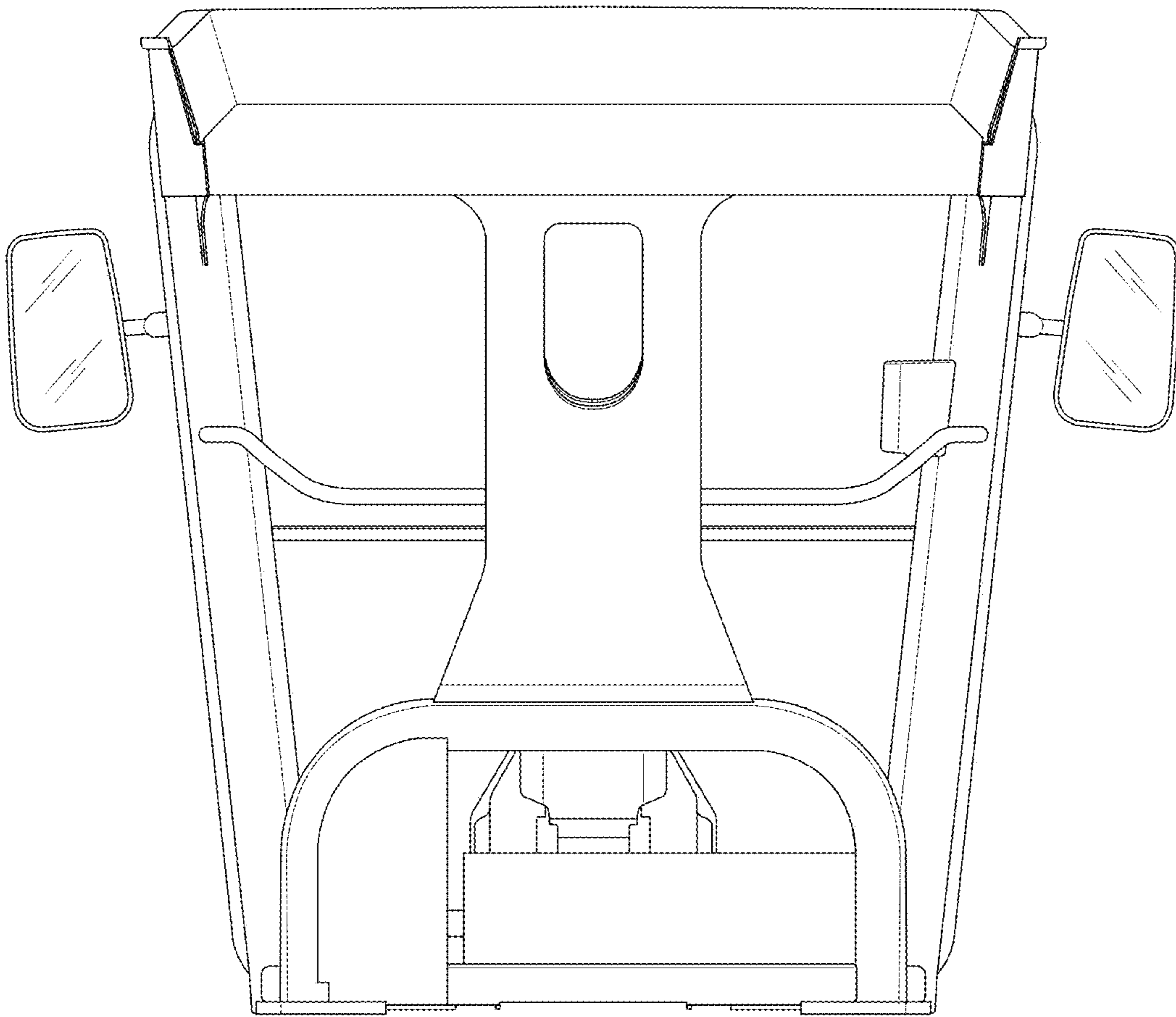


FIG. 2

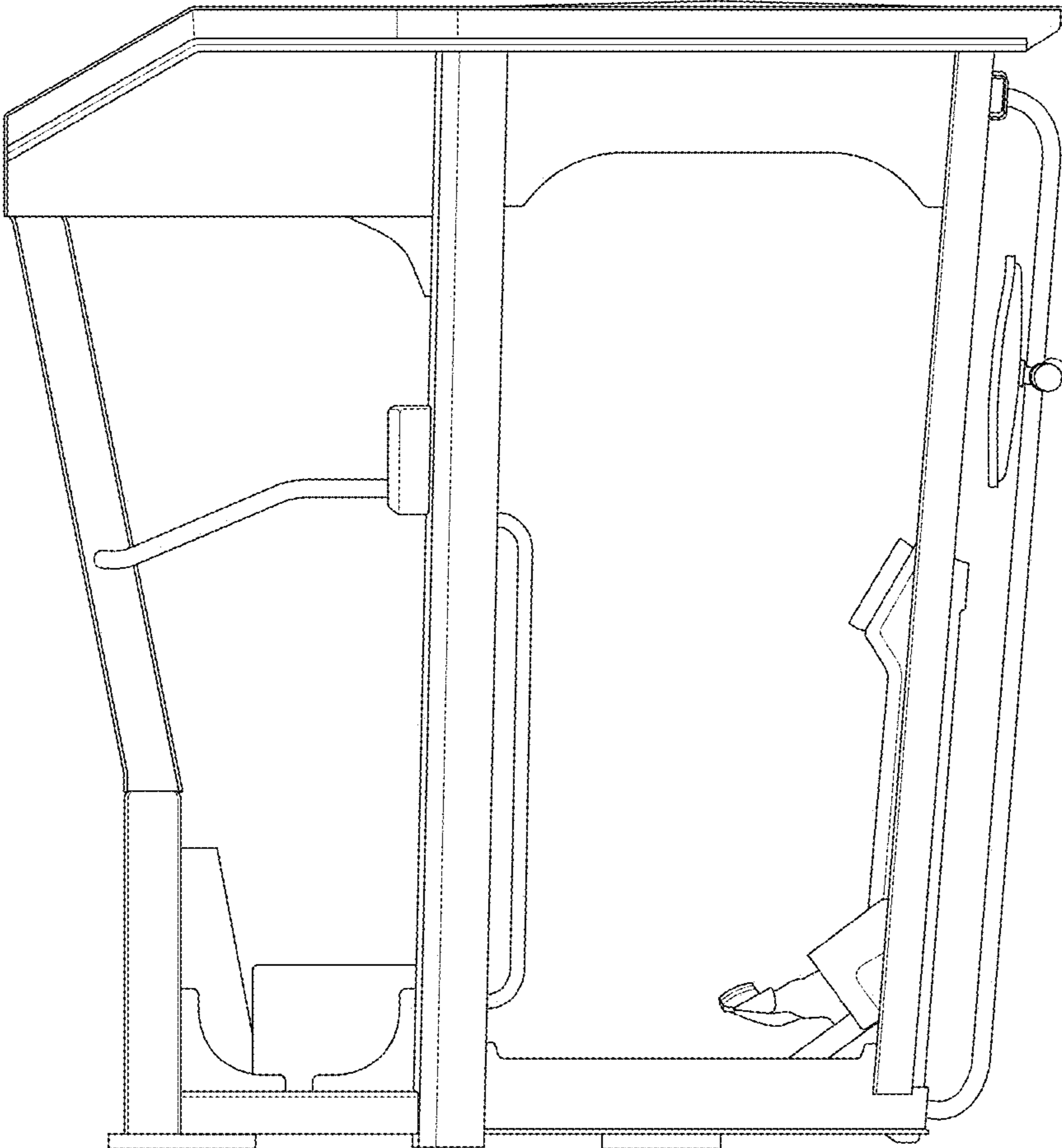


FIG. 3

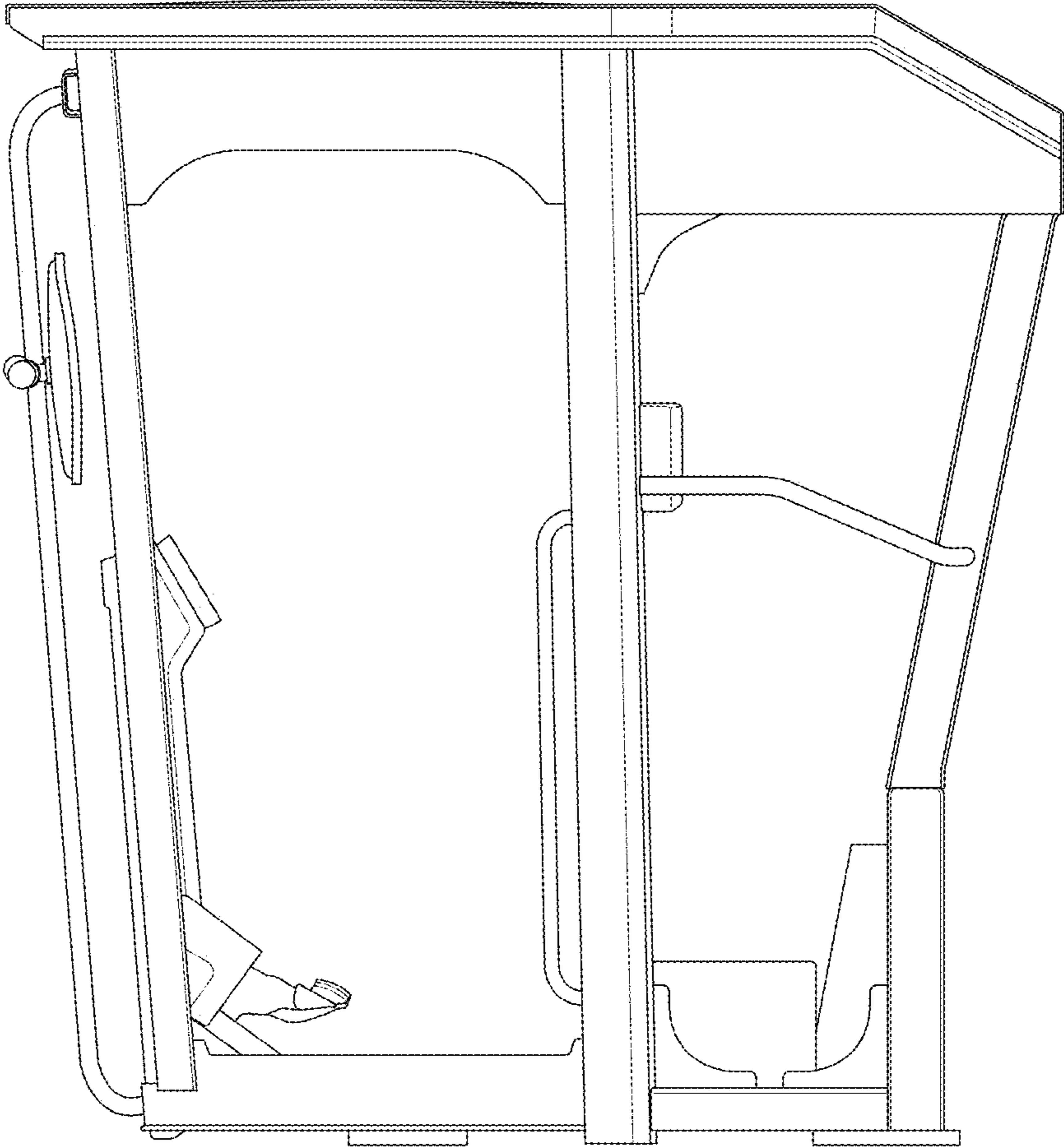


FIG. 4

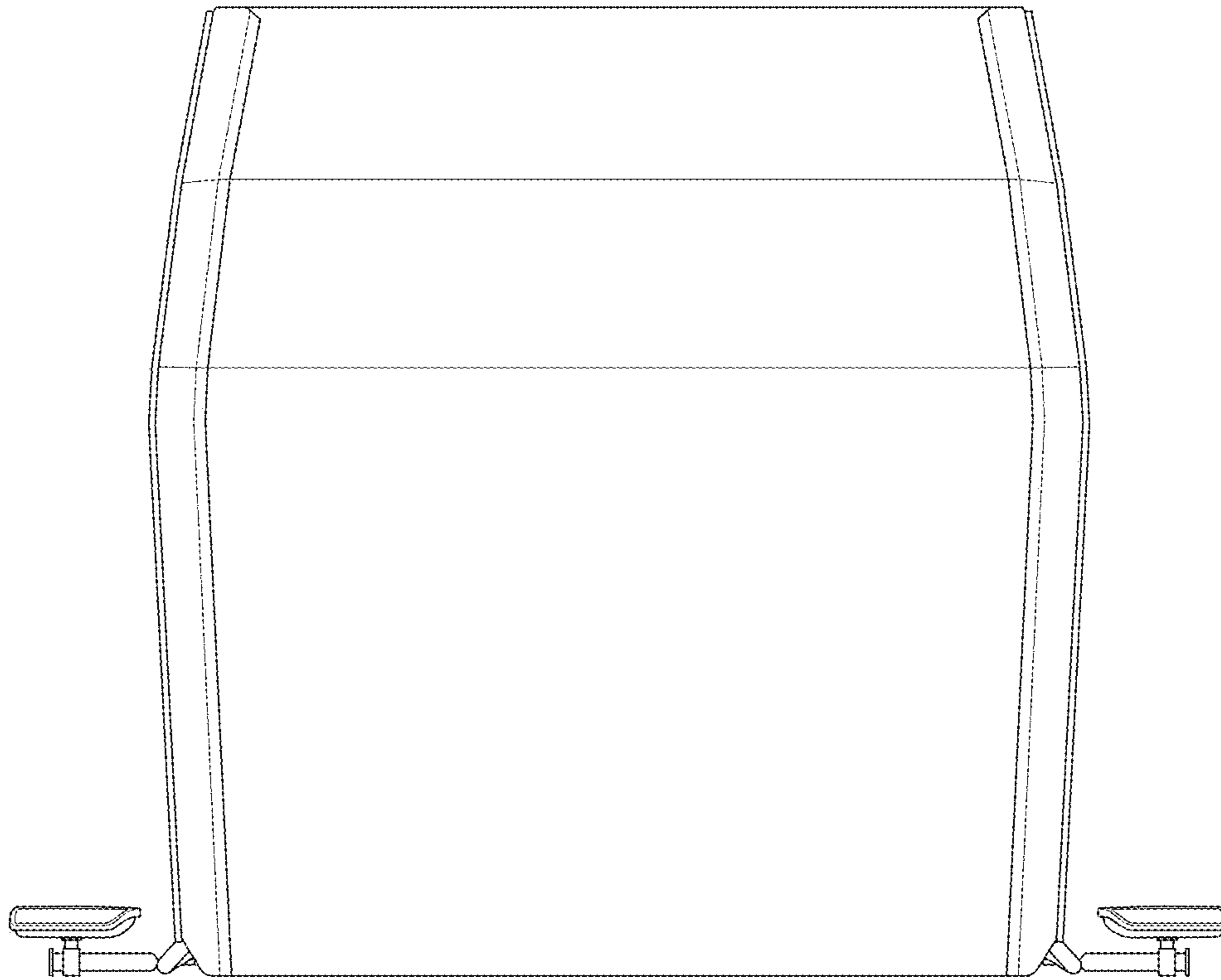


FIG. 5

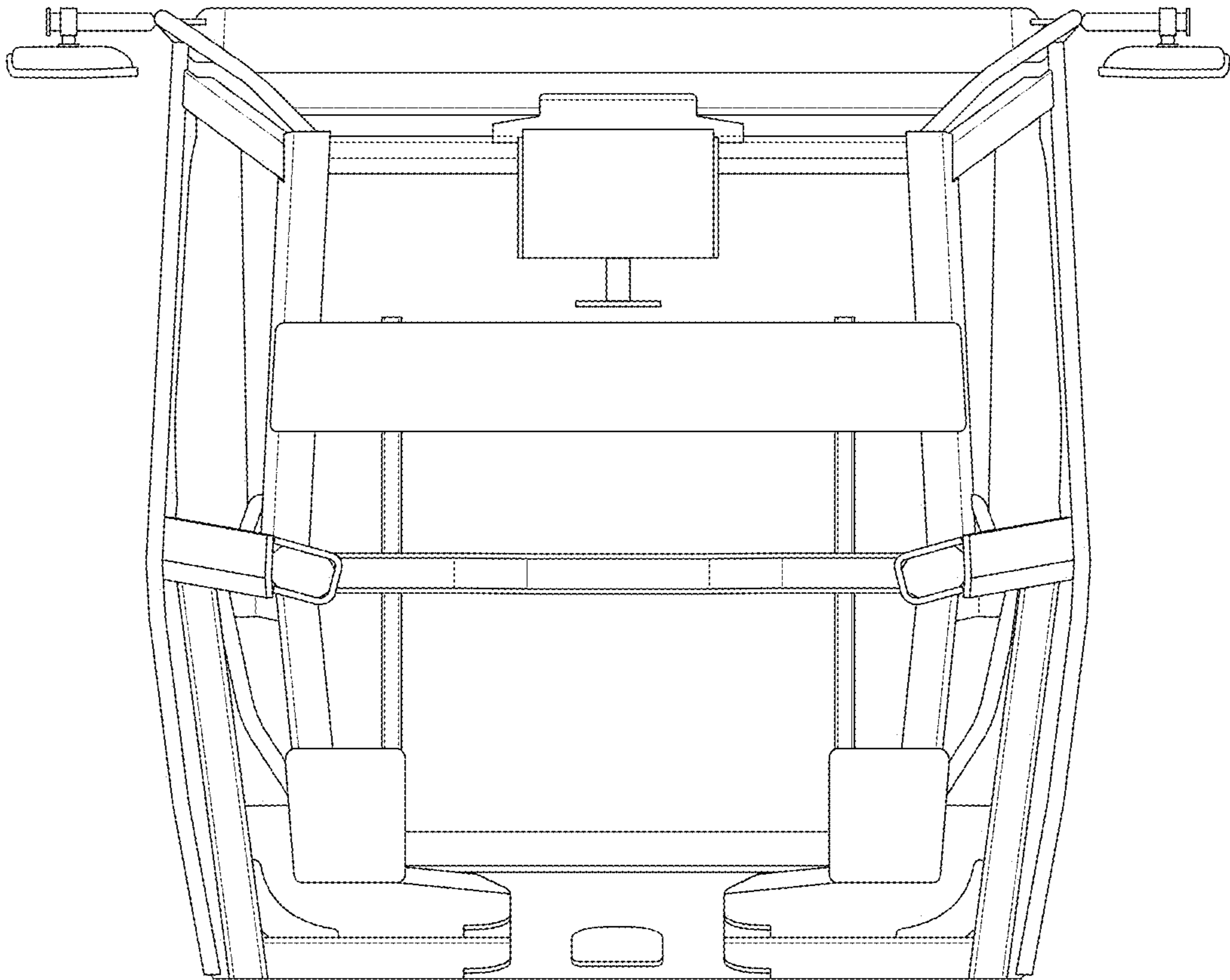


FIG. 6

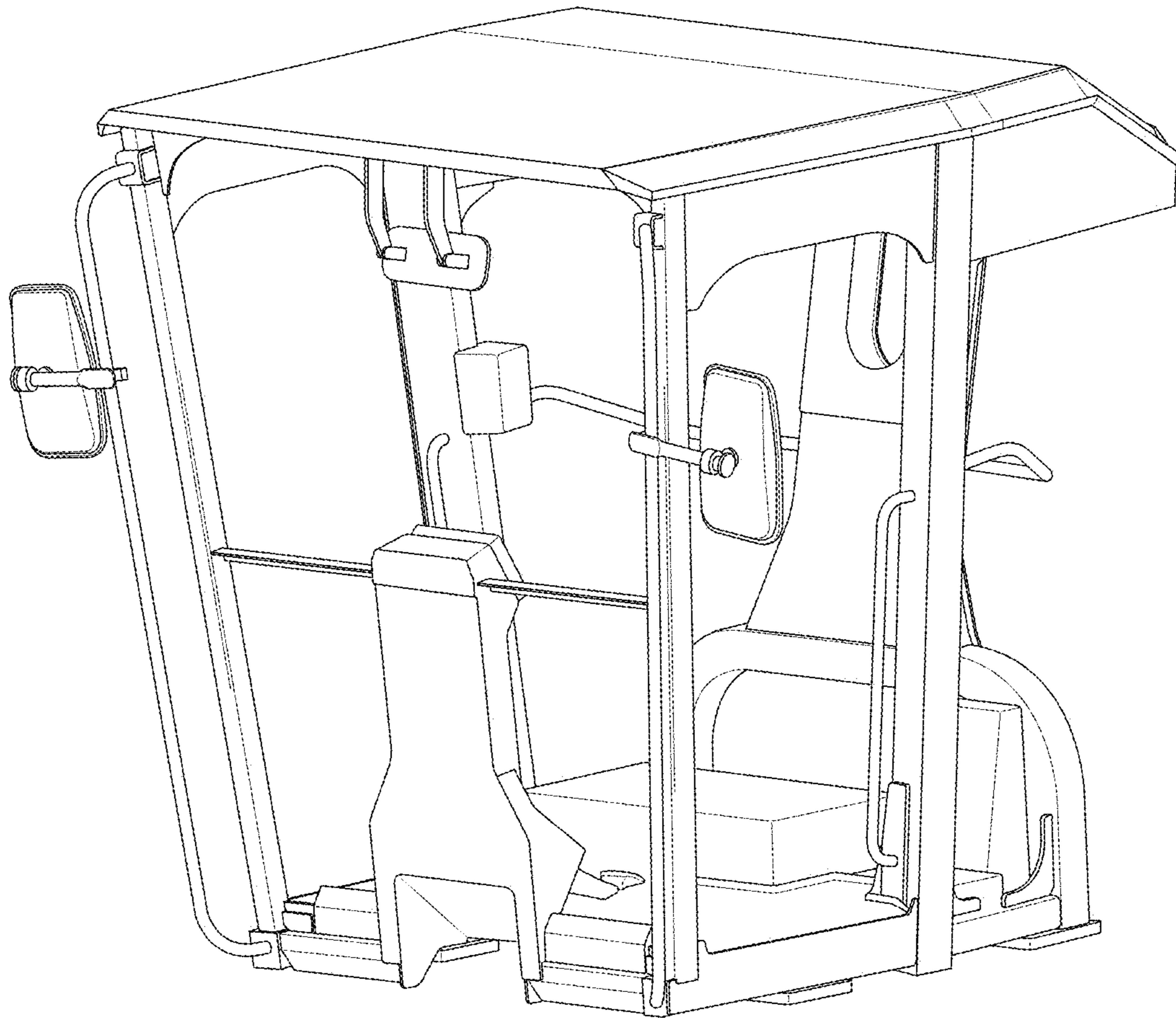


FIG. 7