



US00D930047S

(12) **United States Design Patent**
Rajopadhye et al.

(10) **Patent No.:** **US D930,047 S**
(45) **Date of Patent:** **** Sep. 7, 2021**

(54) **COVER**
(71) Applicant: **Deere & Company**, Moline, IL (US)
(72) Inventors: **Dhananjay Rajopadhye**, Pune (IN);
Cristiano Engelmann, Horizontina
(BR); **Marshall T. Graves**, Bettendorf,
IA (US); **Vivek Vedpathak**, Pune (IN);
Tobias Adami, Munich (DE); **Florian
Teubner**, Munich (DE)

5,787,697 A * 8/1998 Post A01D 45/021
56/119
6,143,230 A * 11/2000 Andrios B29C 33/56
264/306
D636,322 S * 4/2011 Cote D12/317
D816,716 S * 5/2018 Abellera D15/4
D833,956 S * 11/2018 Xiao D12/402
D834,494 S * 11/2018 Xiao D12/402
D842,347 S * 3/2019 Bjerke D15/29

(Continued)

FOREIGN PATENT DOCUMENTS

(73) Assignee: **DEERE & COMPANY**, Moline, IL
(US)

CN 302092321 S 9/2012
CN 302220180 S 12/2012

(**) Term: **15 Years**

OTHER PUBLICATIONS

(21) Appl. No.: **29/712,593**

Deere & Company, Grain Harvesting Combines and Front End
Equipment, Brochure, Oct. 2018.

(22) Filed: **Nov. 8, 2019**

(Continued)

(30) **Foreign Application Priority Data**

May 9, 2019 (EM) 006435889

(51) **LOC (13) Cl.** **15-03**

(52) **U.S. Cl.**
USPC **D15/28**

(58) **Field of Classification Search**
USPC D15/1-5, 10-12, 17, 28, 29, 31; D12/43,
D12/110, 114, 126, 127, 163, 196, 216,
D12/218, 402, 415, 221, 317, 345
CPC . F02F 1/00; F02F 7/0065; F02B 77/00; F02B
77/02; F02B 77/13; B60R 13/08; A01D
63/00; A01D 63/02; A01D 63/04; A01D
75/185; A01D 65/08

See application file for complete search history.

(56) **References Cited**

U.S. PATENT DOCUMENTS

4,502,270 A 3/1985 Shupert
5,725,065 A * 3/1998 Knurr B60K 11/08
180/69.2

Primary Examiner — Sheryl Lane

Assistant Examiner — Mark T. Philipps

(74) *Attorney, Agent, or Firm* — Klintworth & Rozenblat
IP LLP

(57) **CLAIM**

The ornamental design for a cover, as shown and described.

DESCRIPTION

FIG. 1 is a perspective view of a cover according to our new
design;

FIG. 2 is a first side elevational view thereof;

FIG. 3 is a second side elevational view thereof;

FIG. 4 is a first end elevational view thereof;

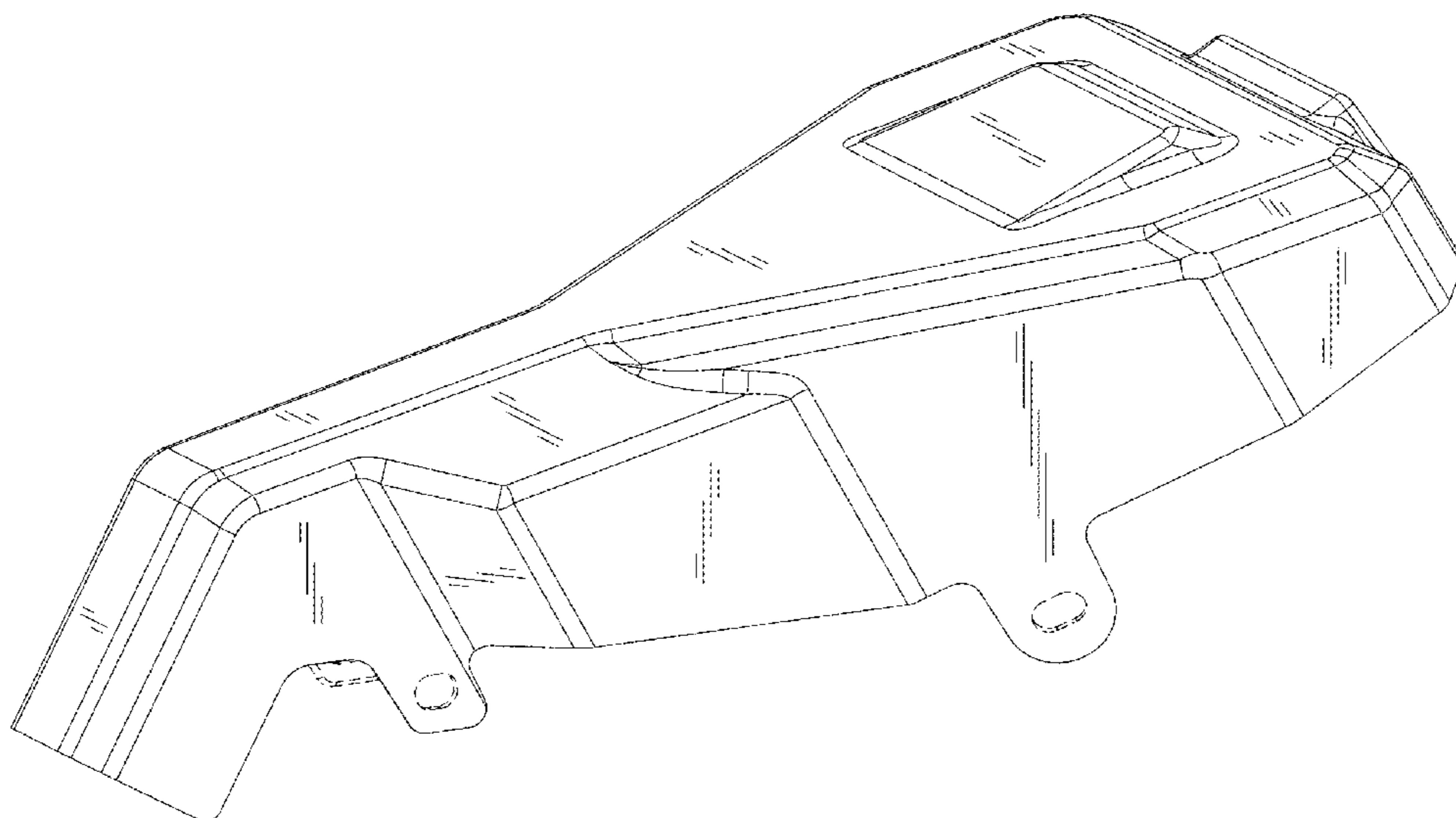
FIG. 5 is a second end elevational view thereof;

FIG. 6 is a first plan view thereof; and,

FIG. 7 is a second plan view thereof.

The dash lines depict environment subject matter that forms
no part of the claimed design.

1 Claim, 6 Drawing Sheets



(56)

References Cited

U.S. PATENT DOCUMENTS

D864,041 S * 10/2019 Takigawa D12/126
 D901,548 S * 11/2020 Mossman D15/28
 D901,551 S * 11/2020 Bjerke D15/29
 D902,265 S * 11/2020 Baviskar D15/28
 D905,765 S * 12/2020 Sinn D15/29
 D912,102 S * 3/2021 Gade D15/28
 D913,342 S * 3/2021 Coon D15/28
 2017/0086374 A1 3/2017 Engel
 2020/0053964 A1* 2/2020 Baes A01D 63/00
 2020/0128747 A1* 4/2020 Heims A01D 41/144

OTHER PUBLICATIONS

CLAAS of America, Improves Profitability with Increasing Revenue, Google Search, <https://www.serbia.claas.com/news-testimonials/>

[current/claas-news/claas-improves-profitability-with-increasing-revenue-/1904264](https://www.claas.com/en-us/news/claas-improves-profitability-with-increasing-revenue-1904264), 2019.

CLAAS of America, photograph of header, 2017.

New Holland, Overview—Corn Heads Leading From the Front, Combines & Headers, <https://agriculture.newholland.com/nar/en-us/equipment/products/combines-and-headers/com-heads>, 2019.

Macdon Industries Ltd, D65 Draper Header, Draper Headers for Combine, <https://www.macdon.com/en/products/d65-draper-headers-for-combine/>, 2019.

New Holland, Draper Heads—Overview Combines & Headers New Holland (US) NHAG, <https://agriculture.newholland.com/nar/en-us/equipment/products/combines-and-headers/draper-heads>, 2019.

Case IH, Draper Heads Combine Harvester, Case IH 3100 Series II Draper Heads, <https://www.caseih.com/northamerica/en-us/products/harvesting/draper-heads>, Copyright 2020.

Massey Ferguson, 9250 DynaFlex Draper Header, <http://www.masseyferguson.us/products/combine-harvesting/9250-dynaflex-draper-headers.html#0>, Copyright 2020.

* cited by examiner

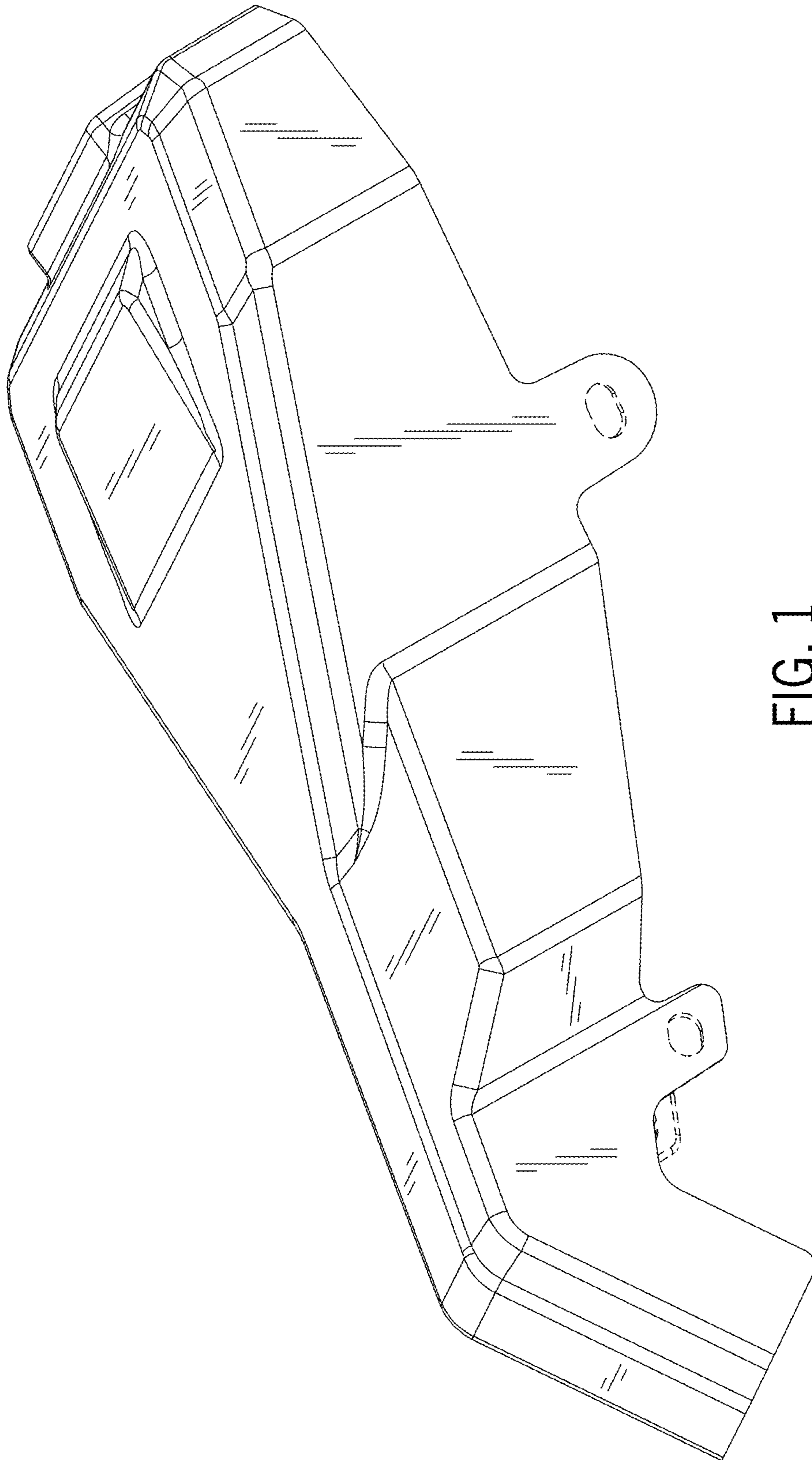


FIG. 1

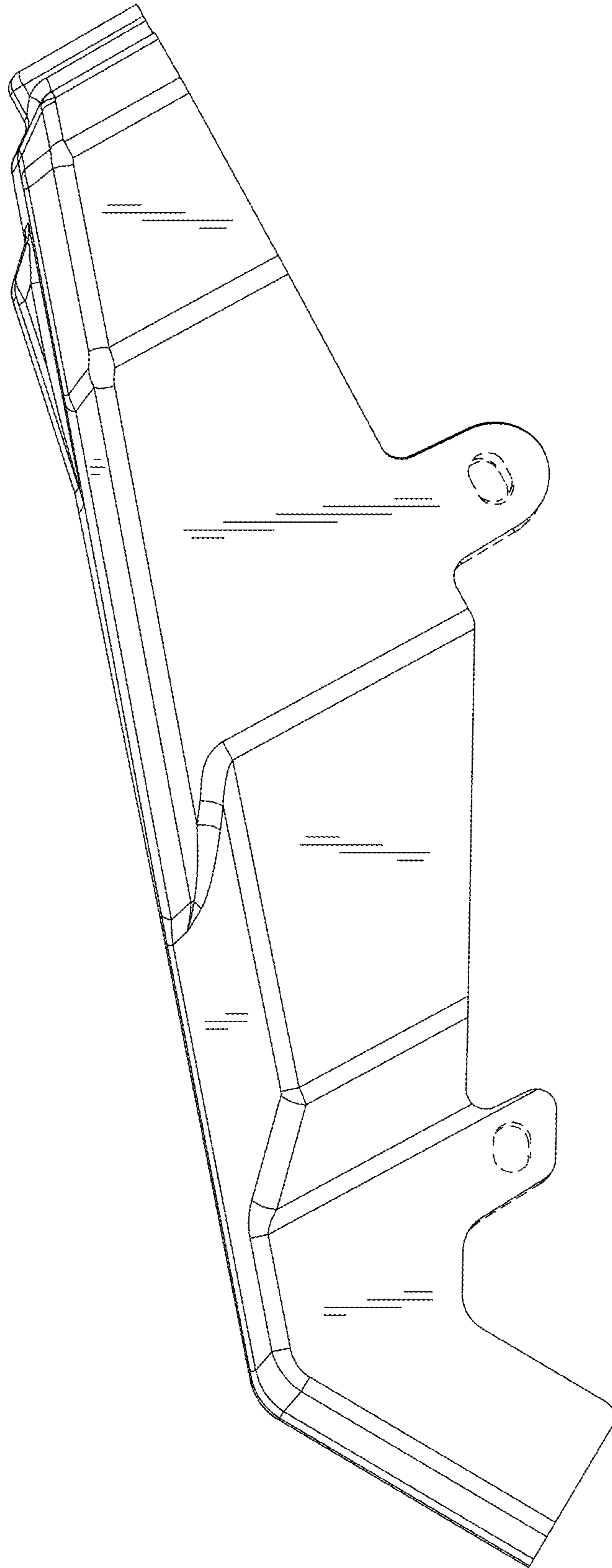


FIG. 2

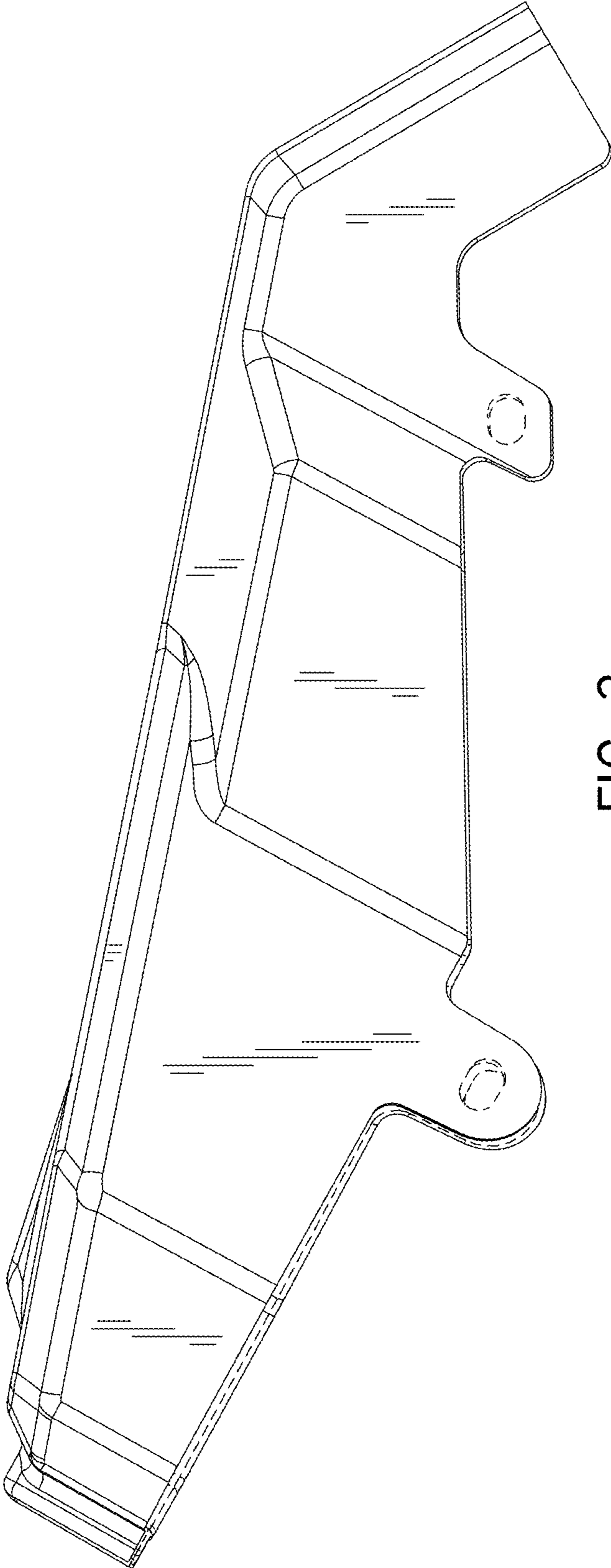


FIG. 3

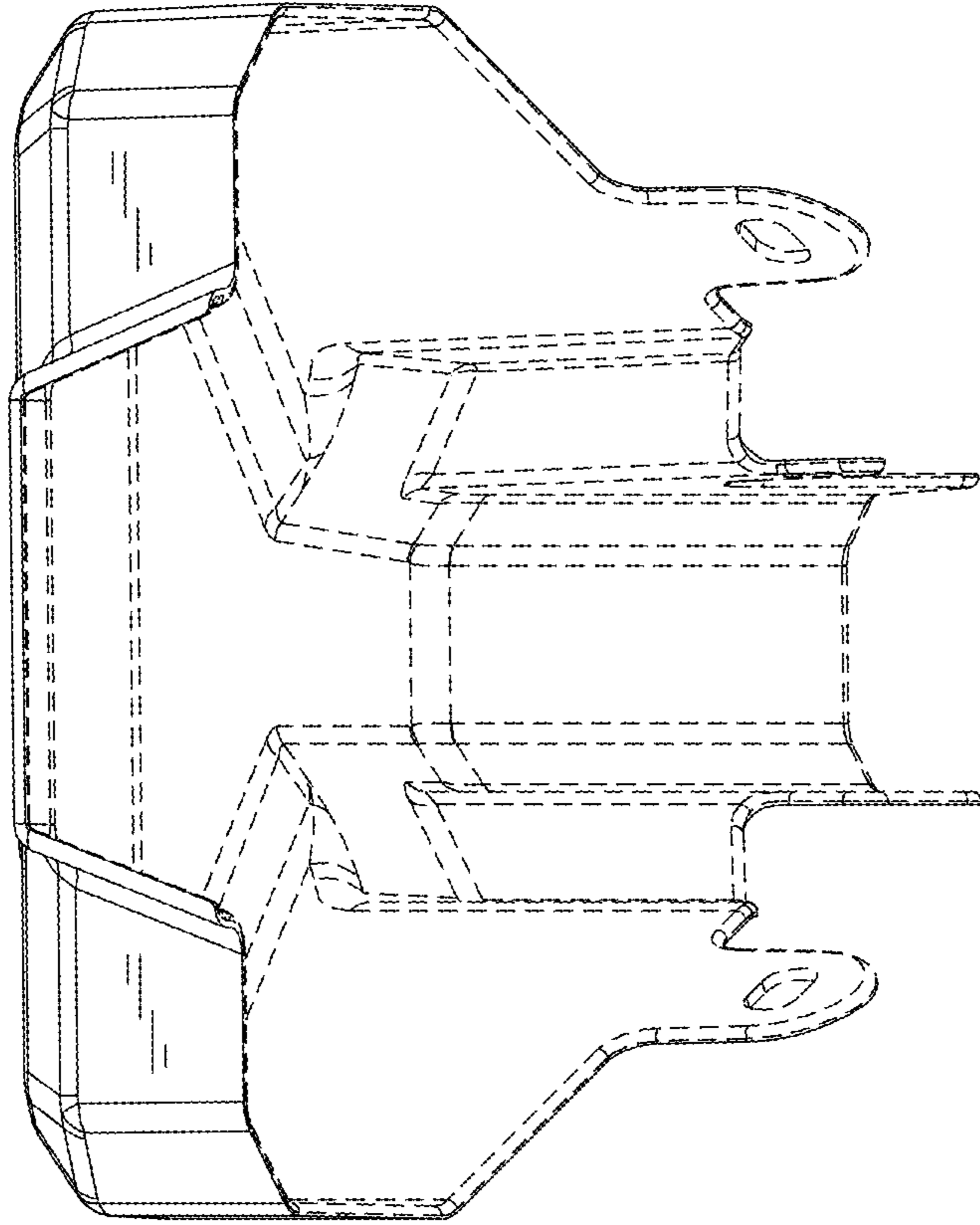


FIG. 5

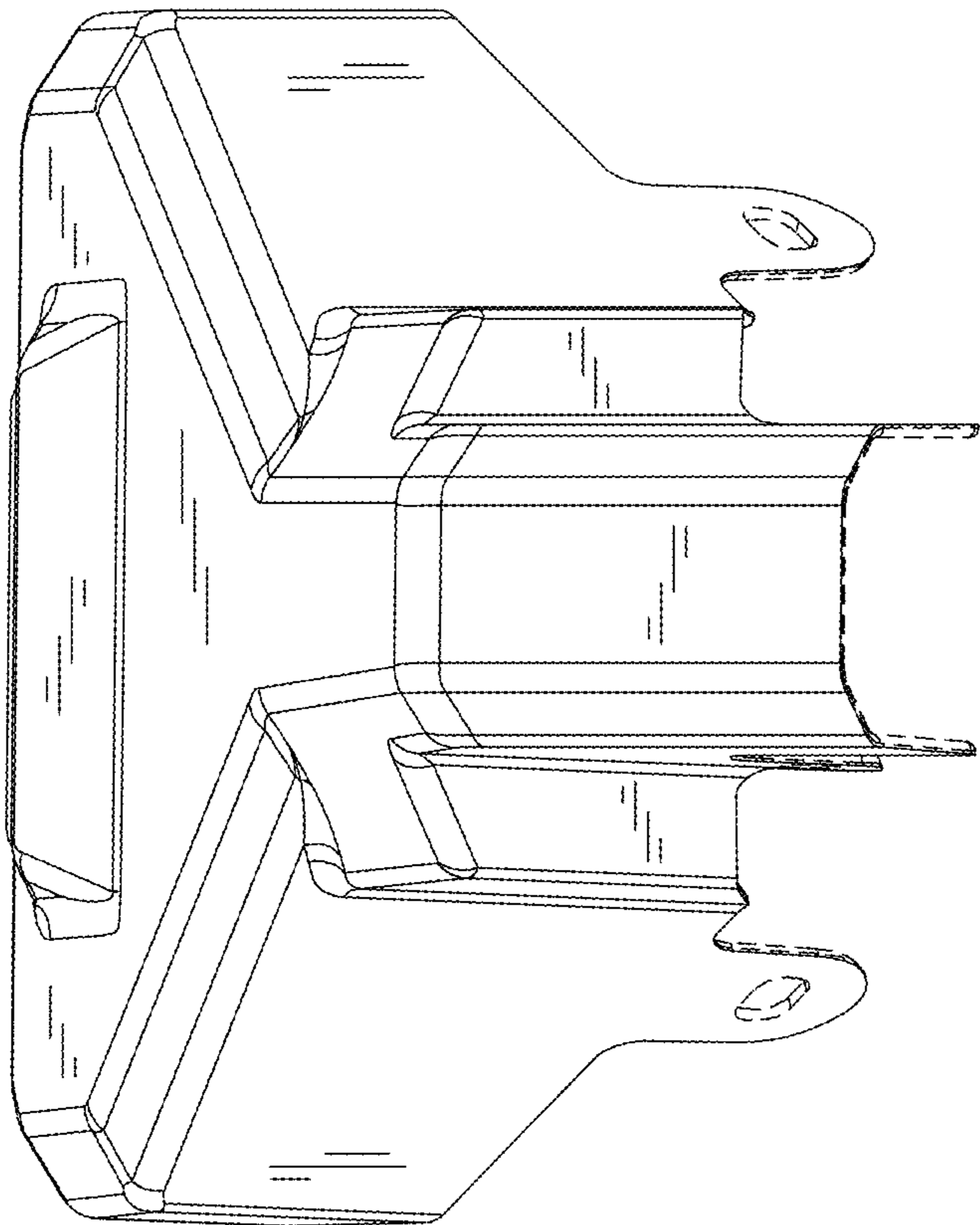


FIG. 4

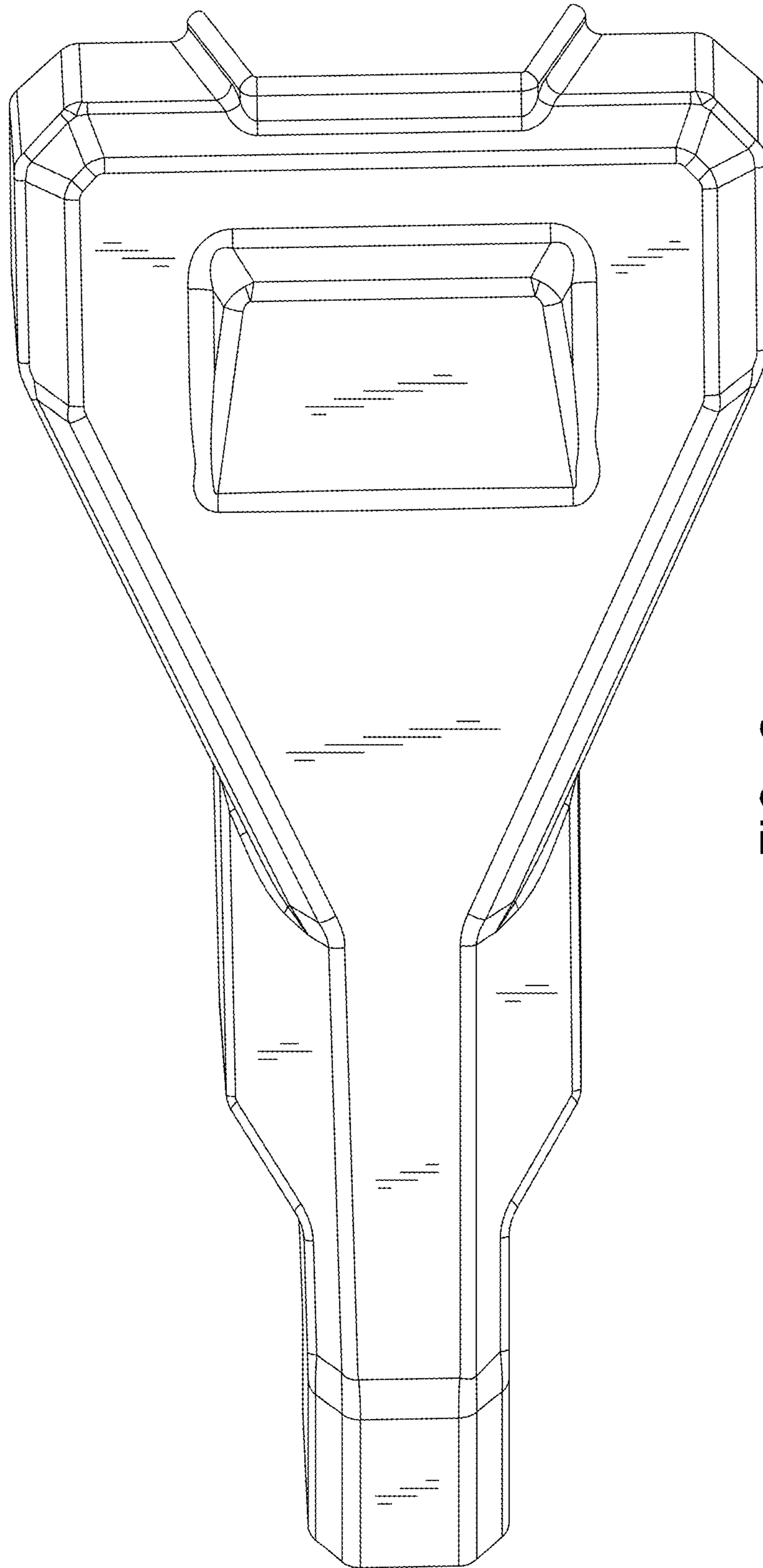


FIG. 6

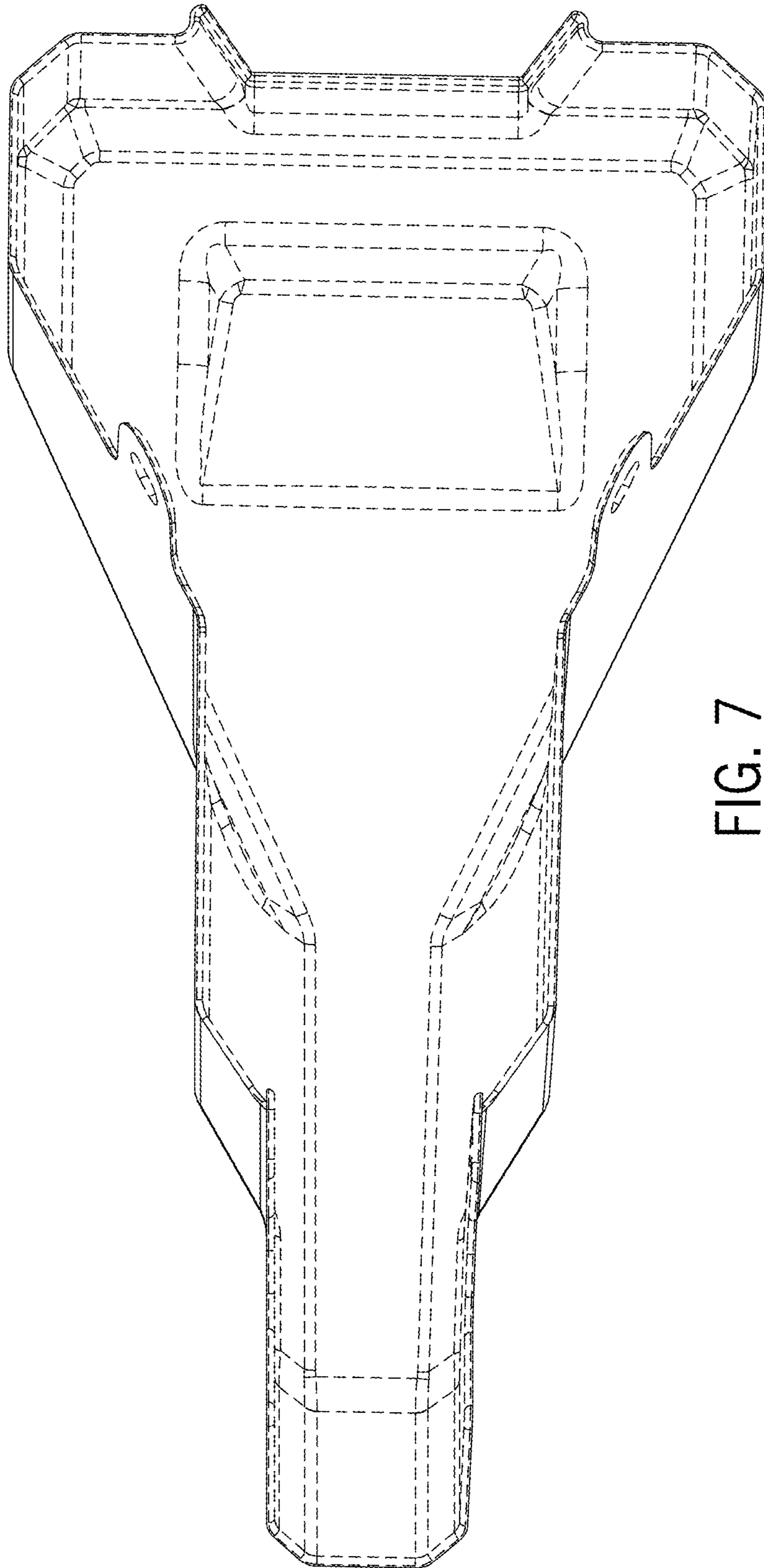


FIG. 7