



US00D930044S

(12) **United States Design Patent** (10) **Patent No.:** **US D930,044 S**  
**Wipper** (45) **Date of Patent:** **\*\* Sep. 7, 2021**

(54) **COMPRESSOR**  
(71) Applicant: **BITZER Kuehimaschinenbau GmbH**, Sindelfingen (DE)  
(72) Inventor: **Bertram Wipper**, Leipzig (DE)  
(73) Assignee: **BITZER Kuehlmaschinenbau GmbH**, Sindelfingen (DE)  
(\*\*) Term: **15 Years**  
(21) Appl. No.: **29/755,390**  
(22) Filed: **Oct. 20, 2020**

**Related U.S. Application Data**

(62) Division of application No. 29/687,664, filed on Apr. 15, 2019.

(30) **Foreign Application Priority Data**

Oct. 15, 2018 (EM) ..... 005798188  
Oct. 15, 2018 (EM) ..... 005798188-0001  
Oct. 15, 2018 (EM) ..... 005798188-0005  
Oct. 15, 2018 (EM) ..... 005798188-0006  
Oct. 15, 2018 (EM) ..... 005798188-0008

(51) **LOC (13) Cl.** ..... **15-02**

(52) **U.S. Cl.**  
USPC ..... **D15/9**

(58) **Field of Classification Search**  
USPC ..... D15/7-9; D24/111; D13/103; D23/231, D23/232, 225  
CPC ..... F04B 35/04; F04B 41/02; F04B 41/00; F04B 35/06; F04B 39/12; F04B 23/00; F04B 23/02; F04B 53/92; F04B 1/005; F04B 39/14; F04B 39/121; F02M 37/04; F02M 37/14; F04C 23/001; F04C 21/007; F04C 18/0207; F04C 29/12; F04C 29/04  
See application file for complete search history.

(56) **References Cited**

U.S. PATENT DOCUMENTS

D394,068 S 5/1998 Pollrich et al.  
D467,254 S 12/2002 Ullrich  
D479,247 S \* 9/2003 Ullrich ..... D15/9  
D531,194 S 10/2006 Hertenstein et al.  
D538,826 S 3/2007 Kienzle  
D595,748 S 7/2009 Kratschmer

(Continued)

OTHER PUBLICATIONS

Bitzer, Ecoline+ Transcritical, (site visited Nov. 2, 2020), Bitzer Website, URL:<<https://www.bitzer.de/gb/en/reciprocating-compressors/ecoline-1-transcritical/>> (Year: 2020).\*

(Continued)

*Primary Examiner* — Sheryl Lane  
*Assistant Examiner* — Mark T. Philipps

(74) *Attorney, Agent, or Firm* — Reinhart Boerner Van Deuren P.C.

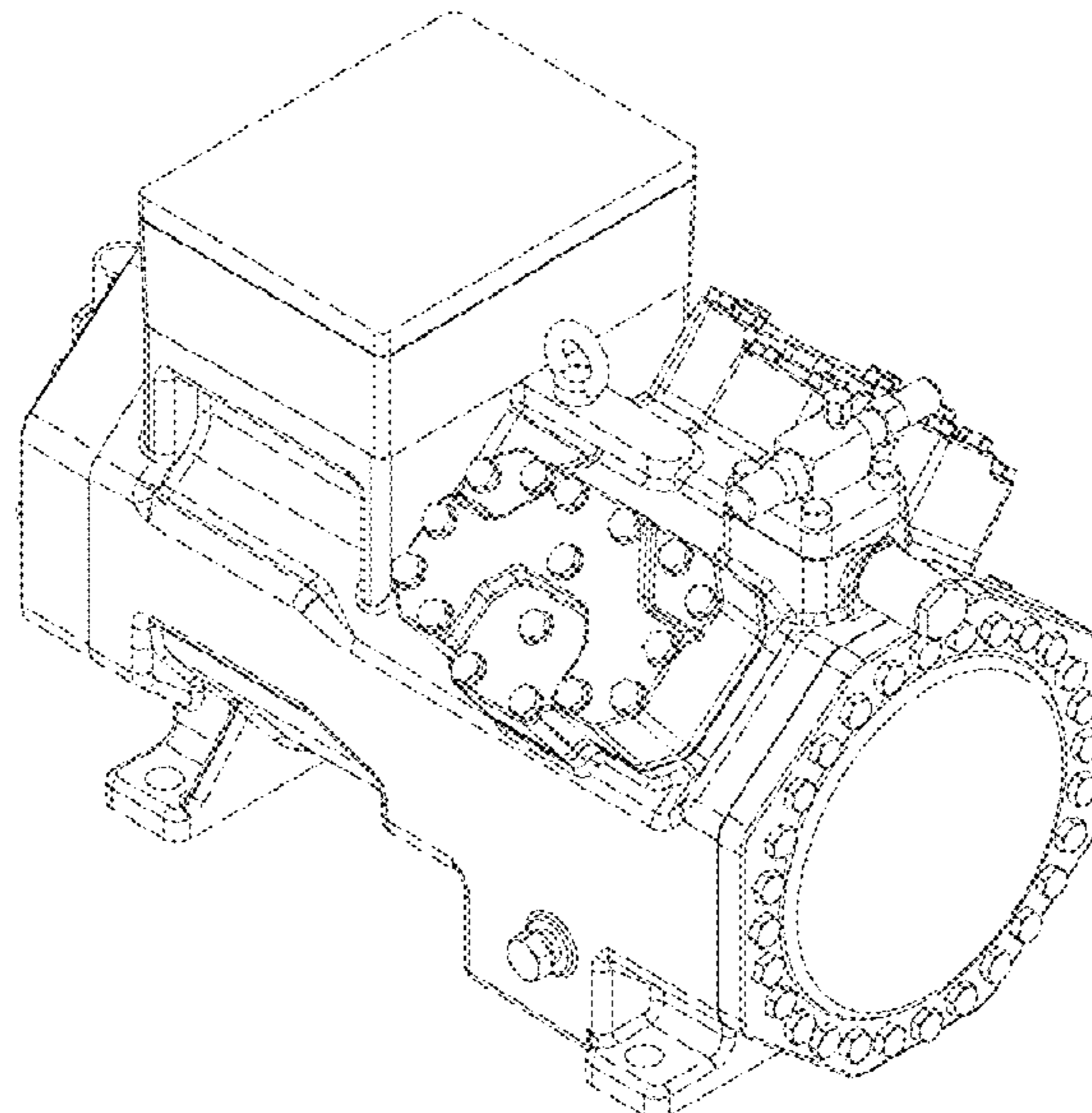
(57) **CLAIM**

I claim the ornamental design for a compressor, as shown and described.

**DESCRIPTION**

FIG. 1 is a perspective view from front and left hand of a compressor according to an embodiment of the present invention;  
FIG. 2 is a left side view of the compressor of FIG. 1;  
FIG. 3 is a right side view of the compressor of FIG. 1;  
FIG. 4 is a top view of the compressor of FIG. 1;  
FIG. 5 is a bottom view of the compressor of FIG. 1;  
FIG. 6 is a rear view of the compressor of FIG. 1; and,  
FIG. 7 is a front view of the compressor of FIG. 1.  
The broken lines shown in the figures are included for the purpose of illustrating portions of the compressor which form no part of the claimed design.

**1 Claim, 7 Drawing Sheets**



(56)

References Cited

U.S. PATENT DOCUMENTS

D684,197 S \* 6/2013 Kienzle ..... D15/9  
 D690,324 S 9/2013 Kienzle et al.  
 D709,524 S \* 7/2014 Ohser ..... D15/9  
 D717,344 S 11/2014 Ohser et al.  
 D720,778 S \* 1/2015 Lim ..... D15/9  
 D732,641 S 6/2015 Hermann  
 D733,764 S \* 7/2015 Ohser ..... D15/9  
 D735,244 S \* 7/2015 Jeong ..... D15/9  
 D745,896 S \* 12/2015 Ohser ..... D15/9  
 D754,754 S \* 4/2016 Wang ..... D15/9  
 D761,326 S \* 7/2016 Kienzle ..... D15/9  
 D763,323 S \* 8/2016 Mikulic ..... D15/9  
 D770,538 S \* 11/2016 Li ..... D15/9  
 D777,213 S \* 1/2017 Ohser ..... D15/9  
 D777,794 S \* 1/2017 Wipper ..... D15/9  
 D828,402 S \* 9/2018 Sandkotter ..... D15/9  
 D828,403 S \* 9/2018 Sandkotter ..... D15/9  
 D829,711 S 10/2018 Akana et al.  
 D829,771 S \* 10/2018 Loerch ..... D15/9  
 D835,158 S \* 12/2018 Shin ..... D15/9  
 D840,438 S \* 2/2019 Mikulic ..... D15/9  
 D842,341 S \* 3/2019 Shin ..... D15/9

D868,841 S \* 12/2019 Zaytsev ..... D15/9  
 D892,174 S \* 8/2020 Wipper ..... D15/9  
 D894,967 S \* 9/2020 Loerch ..... D15/9

OTHER PUBLICATIONS

Copeland, Small Semi-Hermetic Compressors for Refrigeration, (site visited Nov. 2, 2020), Emerson.com, URL:<<https://climate.emerson.com/en-us/shop/1/copeland-small-semi-hermetic-compressors>> (Year: 2020).  
 Bitzer, Ecoline+ Transcritical, (site visited Nov. 2, 2020), Bitzer Website, URL:<<https://www.bitzer.de/gb/en/reciprocating-compressors/ecoline-1-transcritical>> (Year: 2020).  
 Copeland, Small Semi-Hermetic Compressors for Refrigeration, (site visited Nov. 2, 2020), Emerson.com, URL:<<https://climate.emerson.com/en-us/shop/1/copeland-small-semi-hermetic-compressors>> (Year: 2020).  
 U.S. Appl. No. 29/687,664, filed Apr. 15, 2019, Wipper et al.  
 U.S. Appl. No. 29/687,635, filed Apr. 15, 2019, Freiberg.  
 U.S. Appl. No. 29/658,622, filed Aug. 1, 2018, Loerch et al.  
 U.S. Appl. No. 29/656,442, filed Jul. 12, 2018, Wipper et al.  
 U.S. Appl. No. 29/616,611, filed Sep. 17, 2017, Mikesch et al.  
 U.S. Appl. No. 29/539,144, filed Sep. 11, 2015, Christensen.

\* cited by examiner

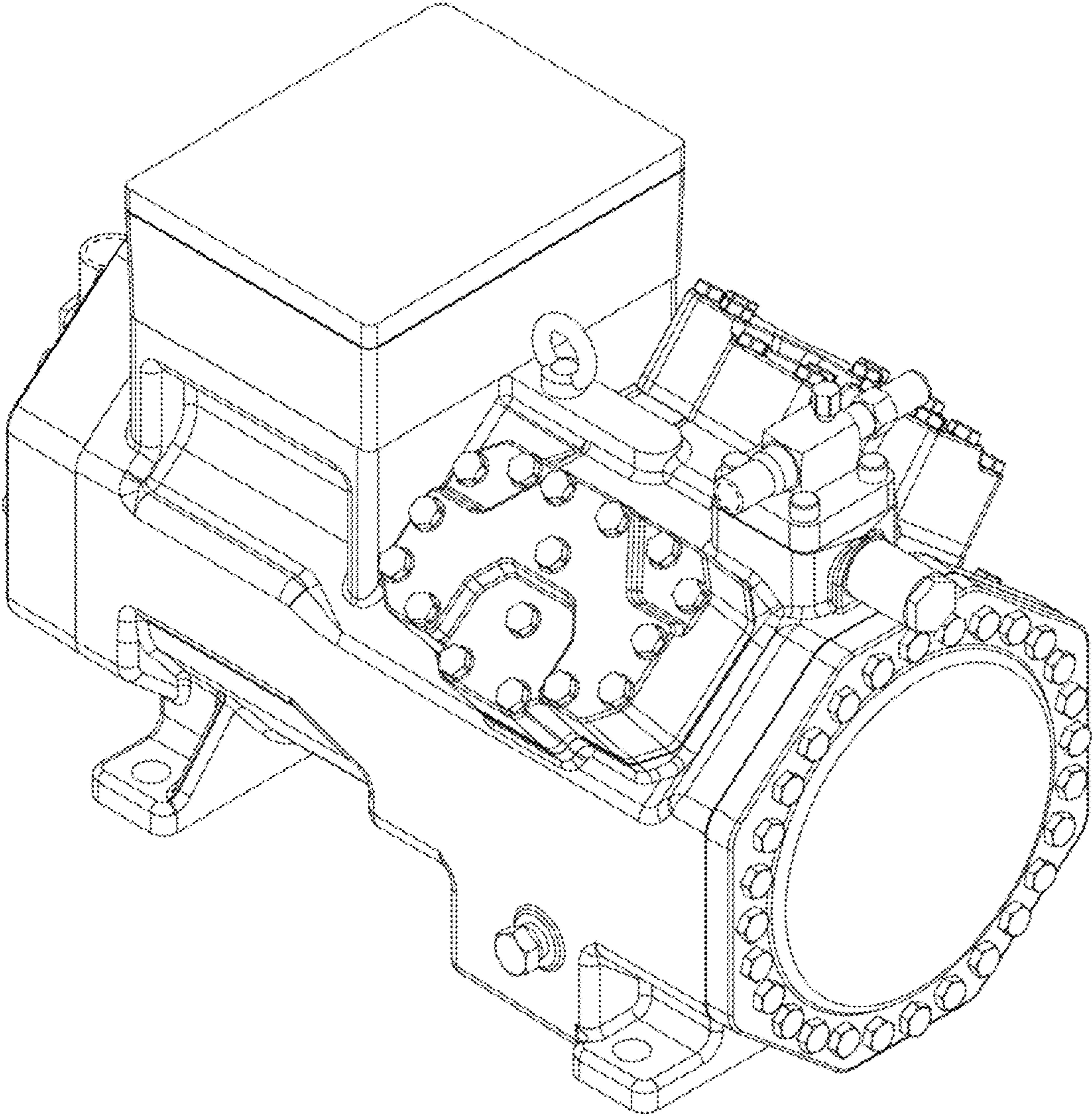


FIG. 1

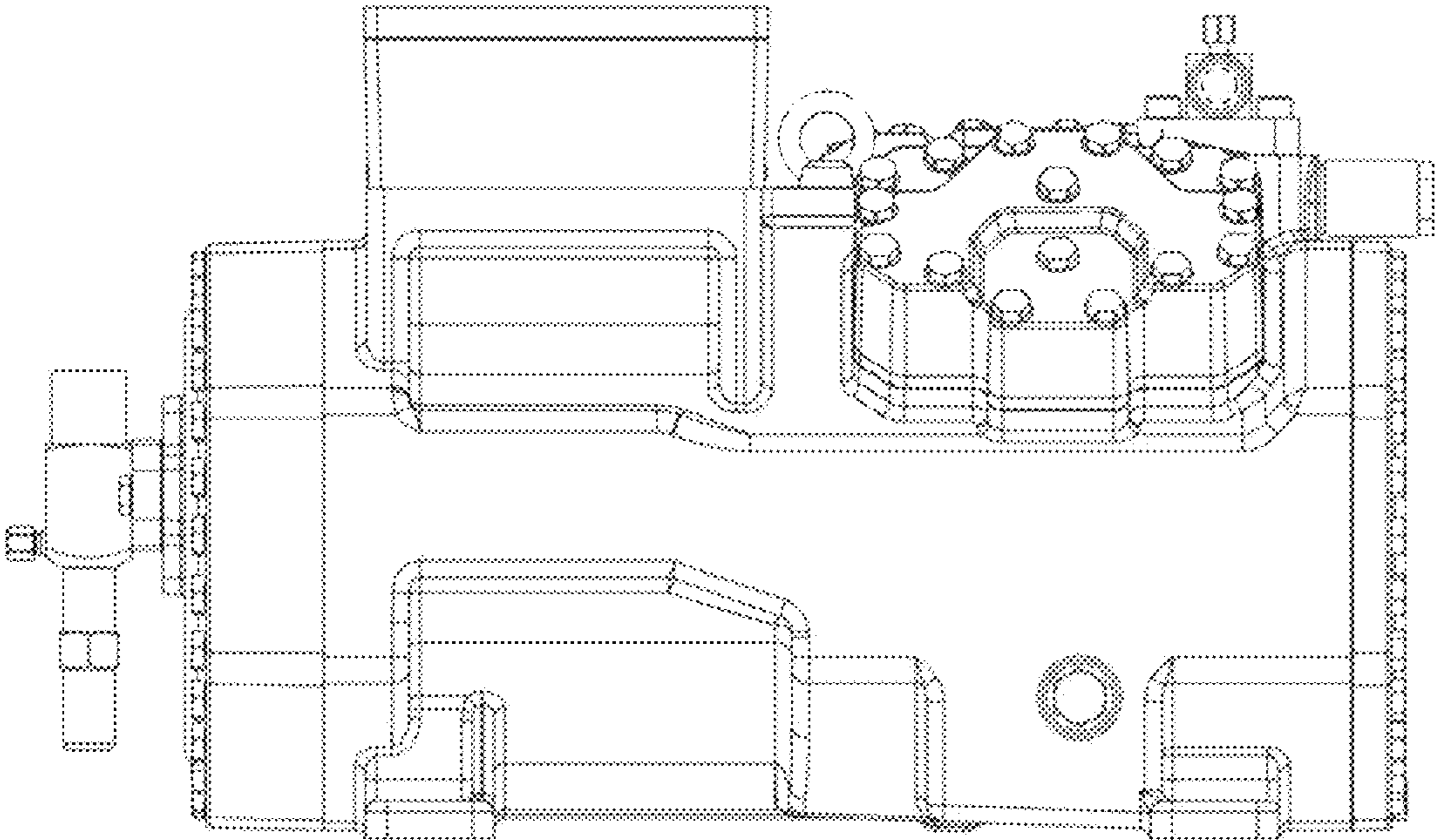


FIG. 2

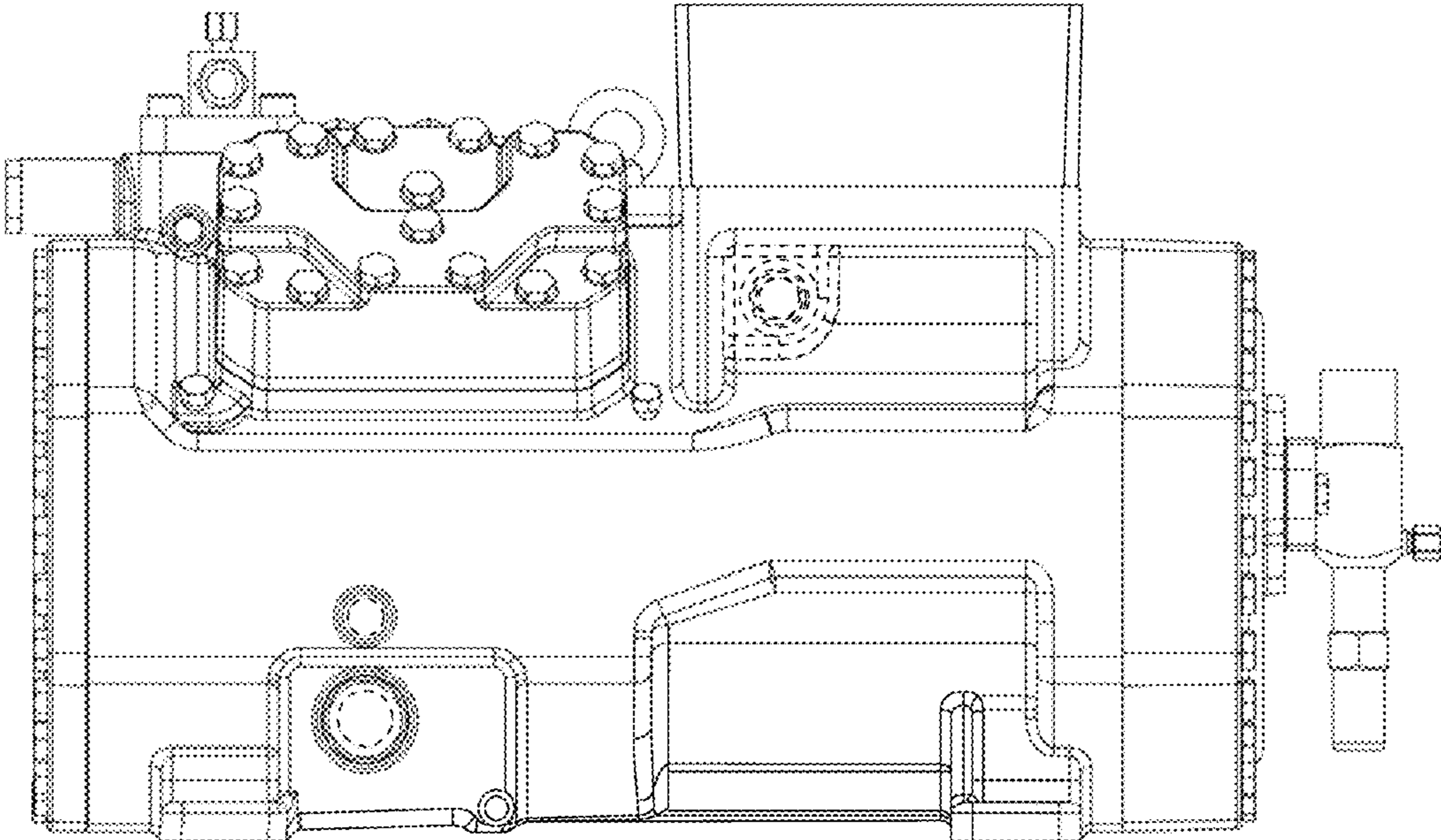


FIG. 3

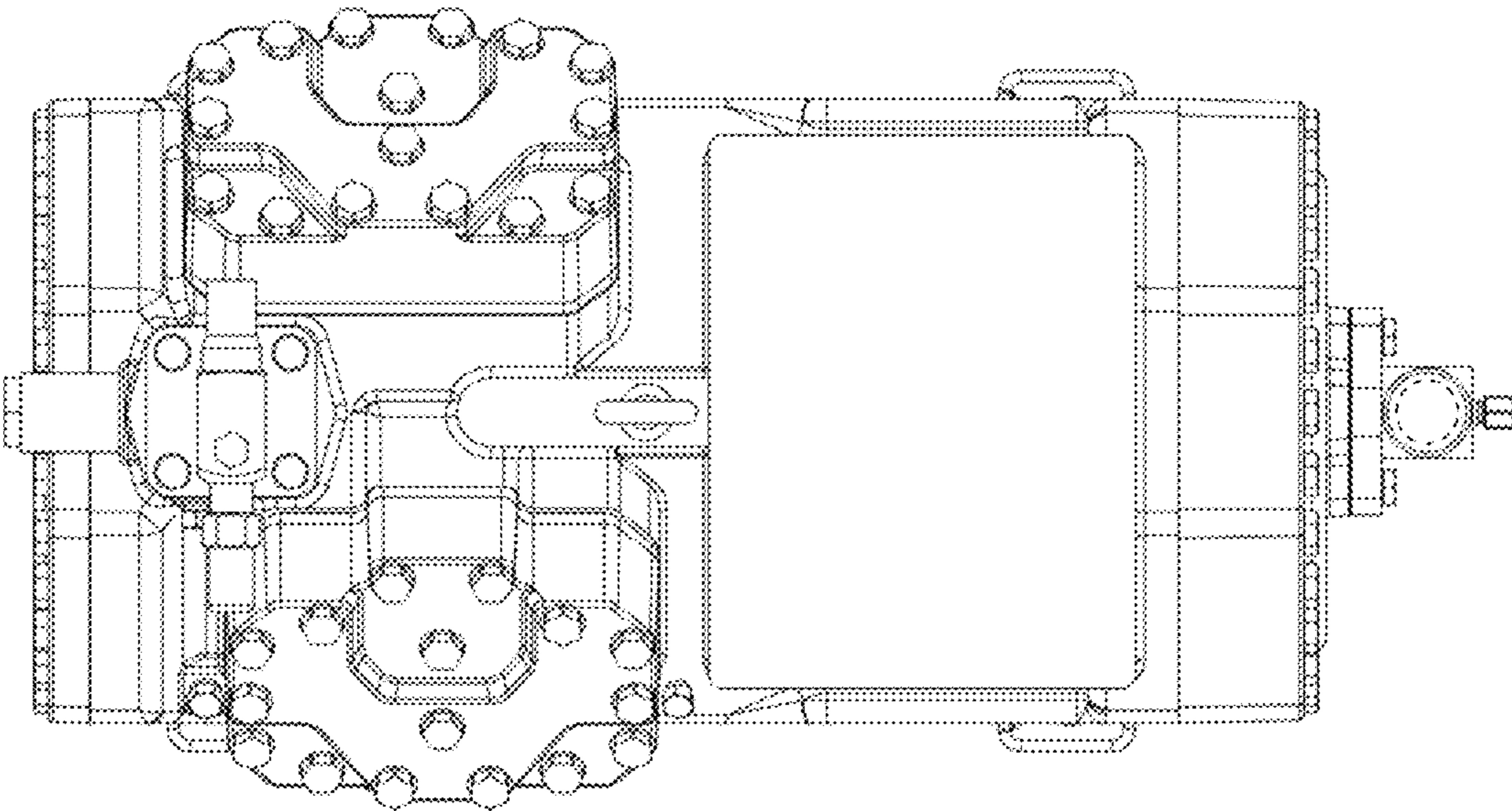
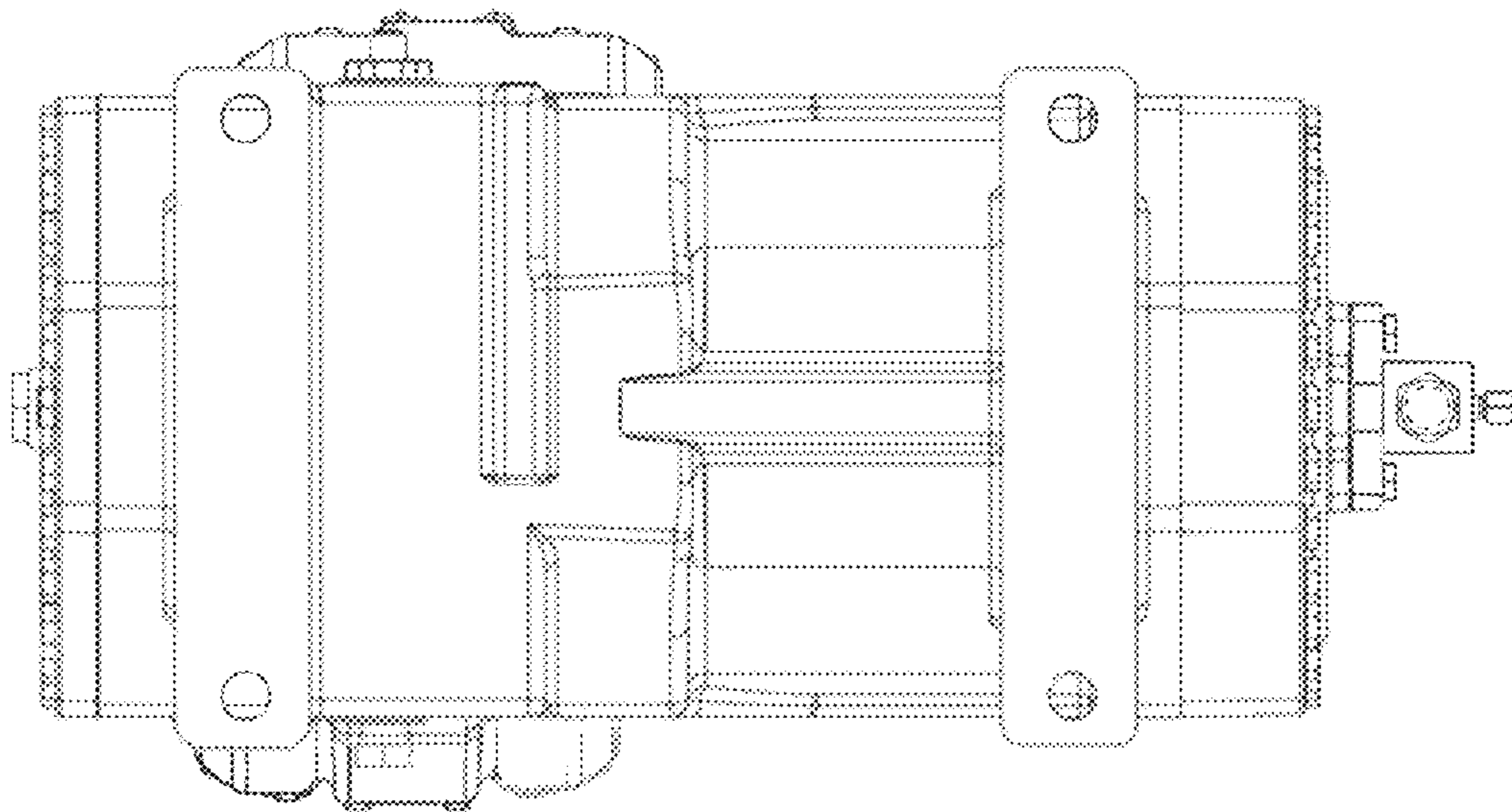


FIG. 4



**FIG. 5**

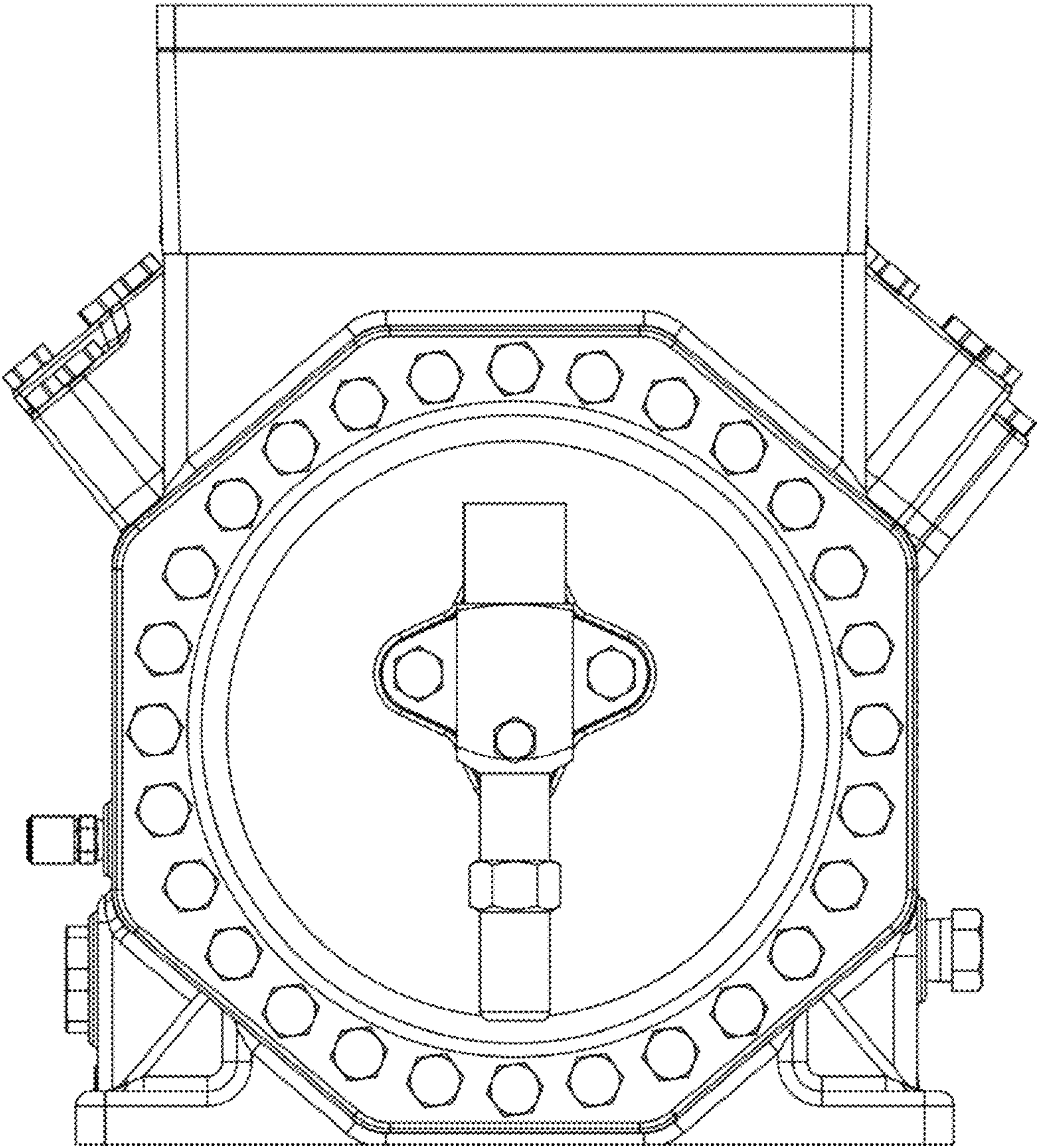


FIG. 6



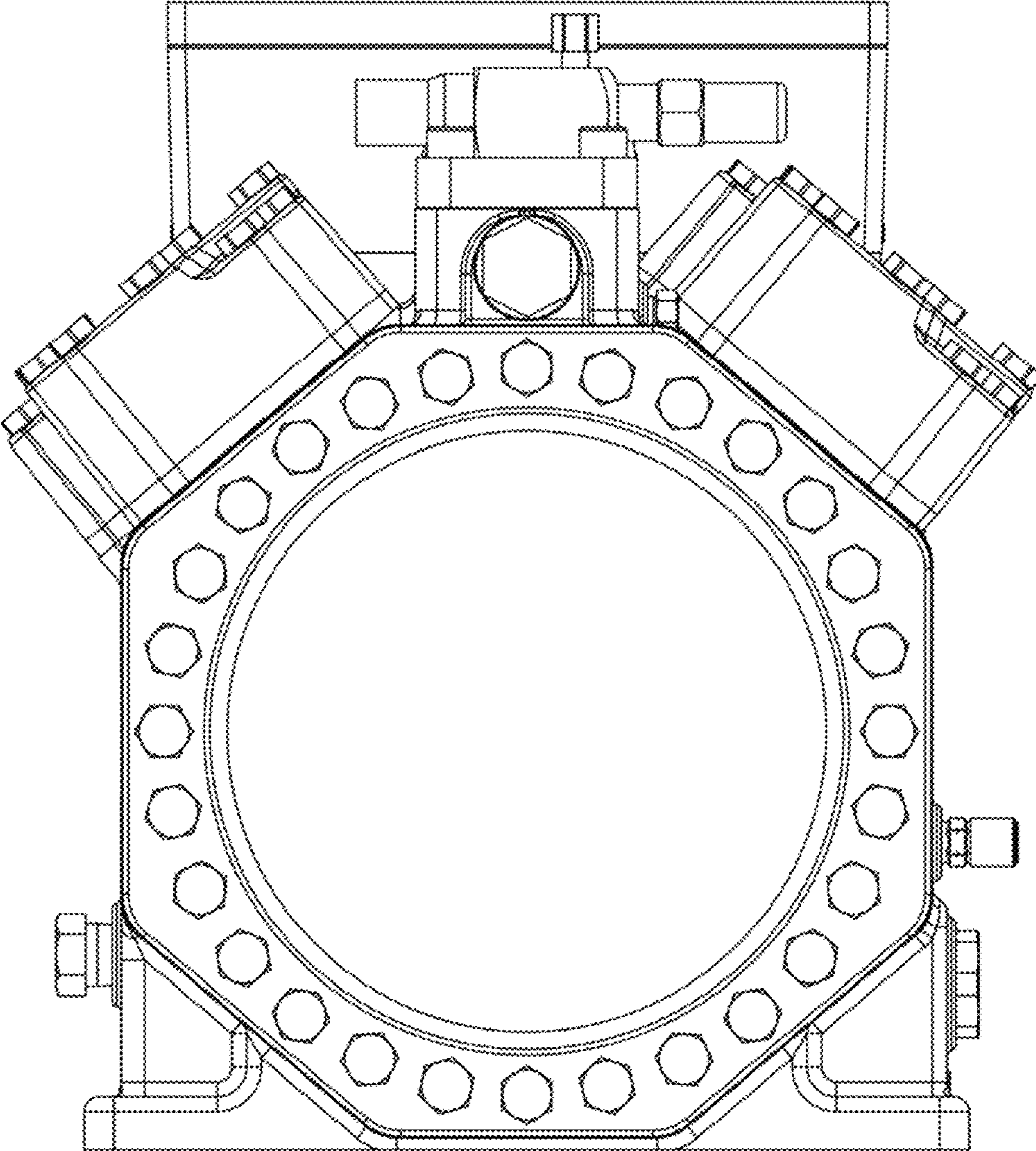


FIG. 7

UNITED STATES PATENT AND TRADEMARK OFFICE  
**CERTIFICATE OF CORRECTION**

PATENT NO. : D930,044 S  
APPLICATION NO. : 29/755390  
DATED : September 7, 2021  
INVENTOR(S) : Bertram Wipper

Page 1 of 1

It is certified that error appears in the above-identified patent and that said Letters Patent is hereby corrected as shown below:

On the Title Page

Item (71), The applicant is currently listed as "BITZER Kuehmaschinenbau GmbH" and should correctly read as --BITZER Kuehlmaschinenbau GmbH--

Signed and Sealed this  
Twenty-third Day of November, 2021



Drew Hirshfeld  
*Performing the Functions and Duties of the  
Under Secretary of Commerce for Intellectual Property and  
Director of the United States Patent and Trademark Office*