



US00D930043S

(12) **United States Design Patent** (10) **Patent No.:** **US D930,043 S**
Hsiao (45) **Date of Patent:** **** Sep. 7, 2021**

(54) **AIR COMPRESSOR** 2002/0131872 A1* 9/2002 Lucchi F04B 35/06
417/234
(71) Applicant: **FUSIN INDUSTRIAL CO., LTD.,** 2005/0196290 A1* 9/2005 Hu F04B 35/06
Yunlin Hsien (TW) 417/234
2006/0038034 A1* 2/2006 Hillary B05B 9/0855
239/146
(72) Inventor: **Yu-Chun Hsiao, Yunlin Hsien (TW)** 2009/0226333 A1* 9/2009 Hsiao F04B 35/06
417/234
(73) Assignee: **FUSIN INDUSTRIAL CO., LTD.,** 2010/0006668 A1* 1/2010 Alexander B08B 3/026
Yunlin Hsien (TW) 239/129

(**) Term: **15 Years**

(21) Appl. No.: **29/748,836**

(22) Filed: **Sep. 1, 2020**

(51) **LOC (13) Cl.** **15-02**

(52) **U.S. Cl.**
USPC **D15/9; D15/7**

(58) **Field of Classification Search**
USPC D13/103, 107; D15/7-9
CPC F04B 41/00; F04B 41/02; F04B 41/04;
F04B 41/06; F04B 35/00; F04B 35/06;
F04B 35/002; F04B 35/86; F04B 31/00;
F04B 49/00; F04B 25/00; F04B 25/005;
F04B 25/02; F04B 25/04; F04B 17/03;
F04B 17/06; F04B 33/005; F04B 33/00;
F04B 33/02

See application file for complete search history.

(56) **References Cited**

U.S. PATENT DOCUMENTS

D498,244 S * 11/2004 Chen D15/7
D531,644 S * 11/2006 Smith D15/9
D534,550 S * 1/2007 Beecham D15/9
D537,840 S * 3/2007 Smith D15/9
D555,173 S * 11/2007 Smith D15/9
D622,471 S * 8/2010 Hernandez D34/12
D636,409 S * 4/2011 Wilmes D15/9
D806,756 S * 1/2018 Wood D15/9
D824,612 S * 7/2018 Alexander D32/16
D883,333 S * 5/2020 Boccato D15/9

OTHER PUBLICATIONS

Eagle, Silent Series 5.5 Gallon Single Stage Portable Corded Electric Twin Stack Air Compressor, (site visited Jul. 10, 2021), Lowes.com, URL:<<https://www.lowes.com/pd/Eagle-Eagle-Silent-Series-5-5-Gallon-Electric-Air-Compressor/1002923496>> (Year: 2021).*

* cited by examiner

Primary Examiner — Calvin E Vansant
Assistant Examiner — Mark T. Philipps

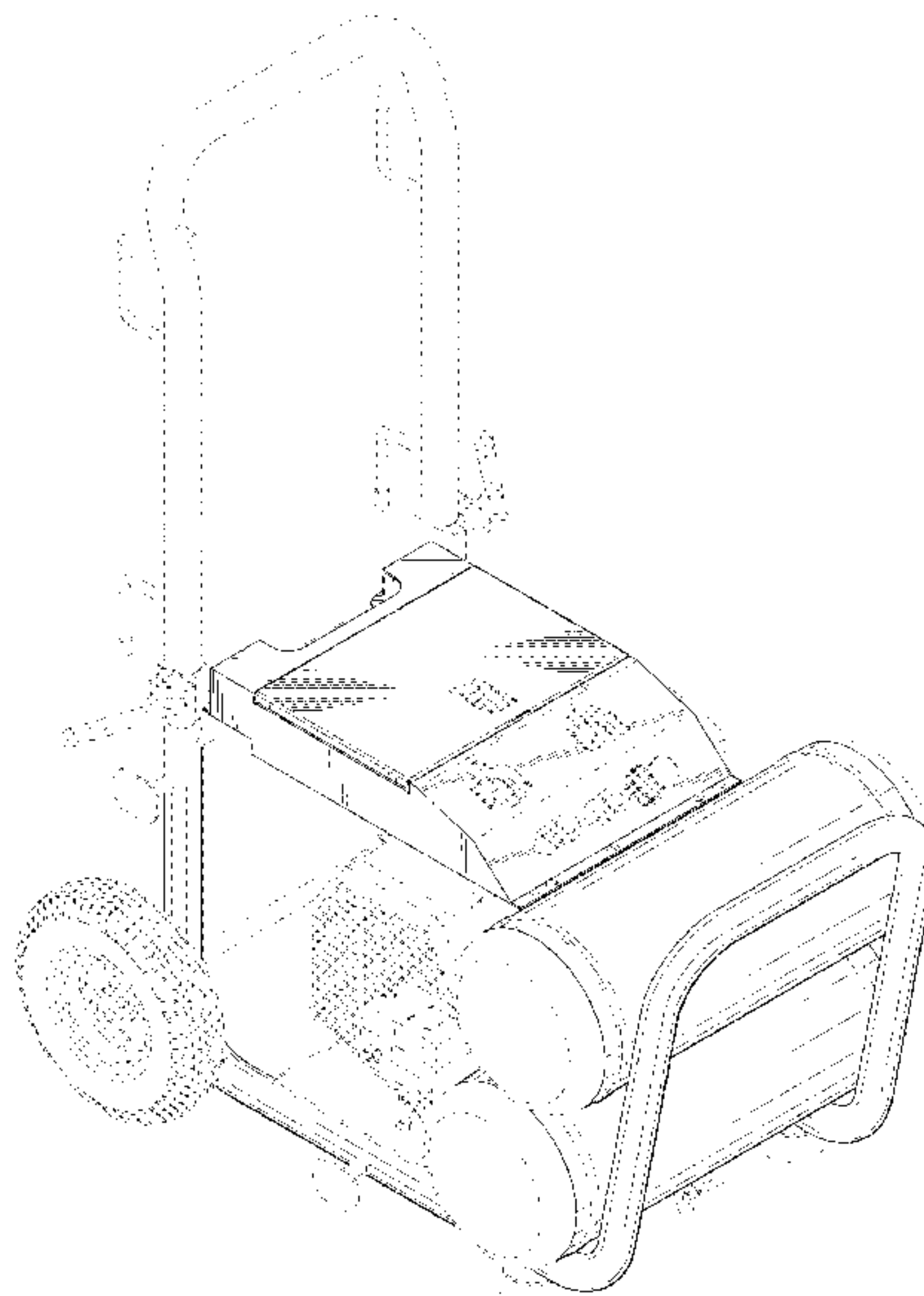
(57) **CLAIM**

The ornamental design for an air compressor, as shown and described.

DESCRIPTION

FIG. 1 is a perspective view of an air compressor showing my new design;
FIG. 2 is a front elevational view thereof;
FIG. 3 is a rear elevational view thereof;
FIG. 4 is a left side elevational view thereof;
FIG. 5 is a right side elevational view thereof;
FIG. 6 is a top plan view thereof; and,
FIG. 7 is a bottom plan view thereof.
The broken lines depict portions of the air compressor in which the design is embodied that form no part of the claimed design.

1 Claim, 7 Drawing Sheets



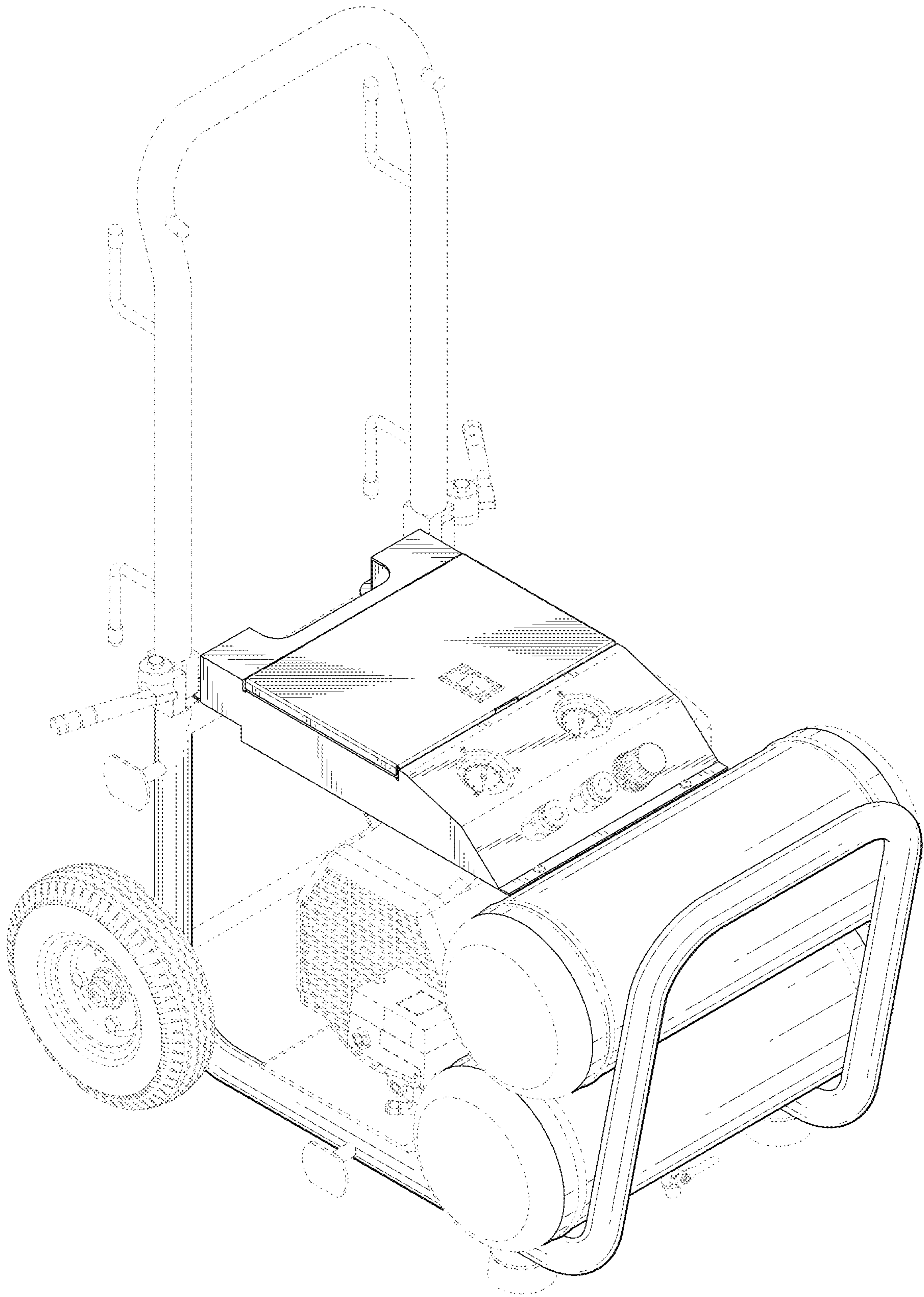


FIG.1

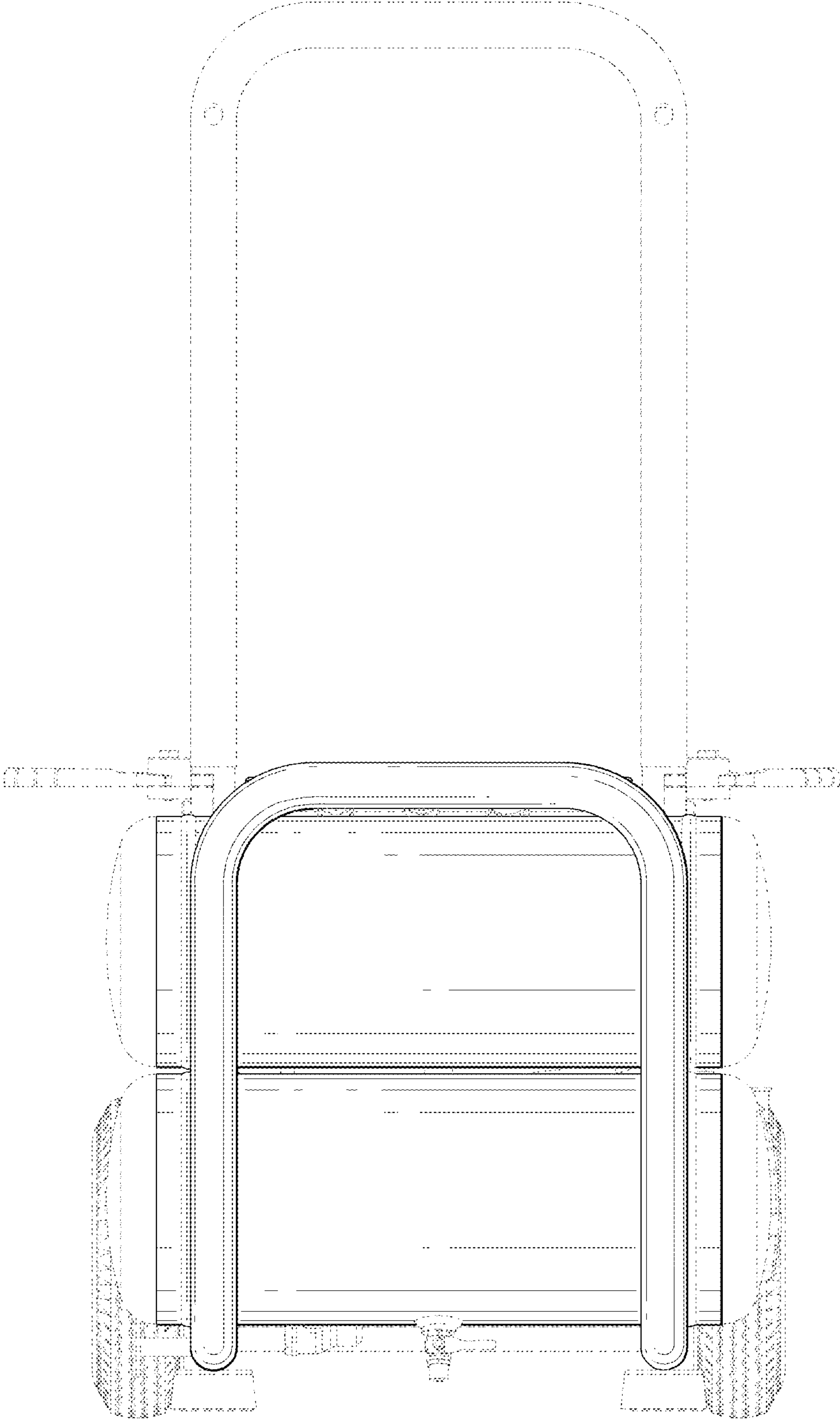


FIG.2

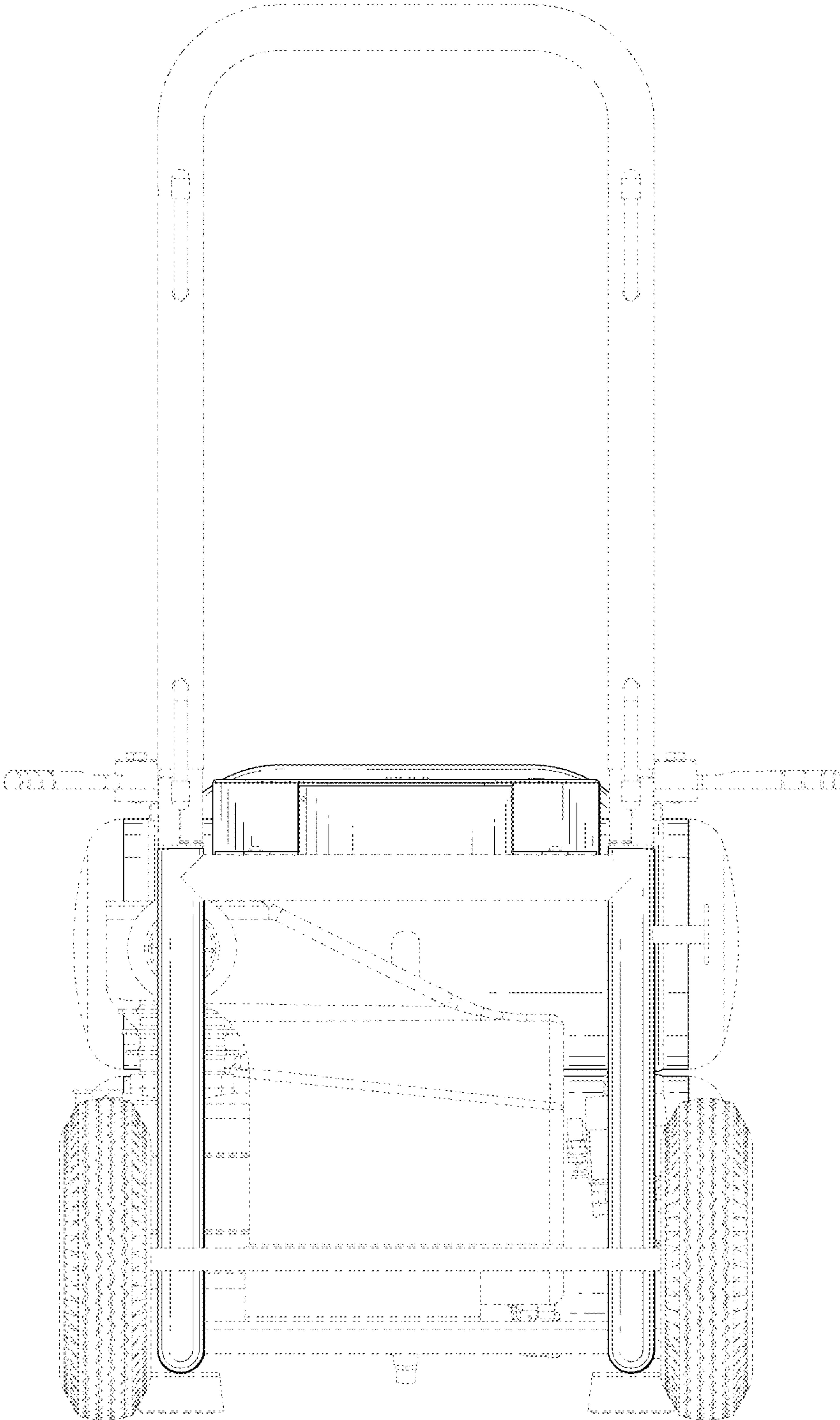


FIG.3

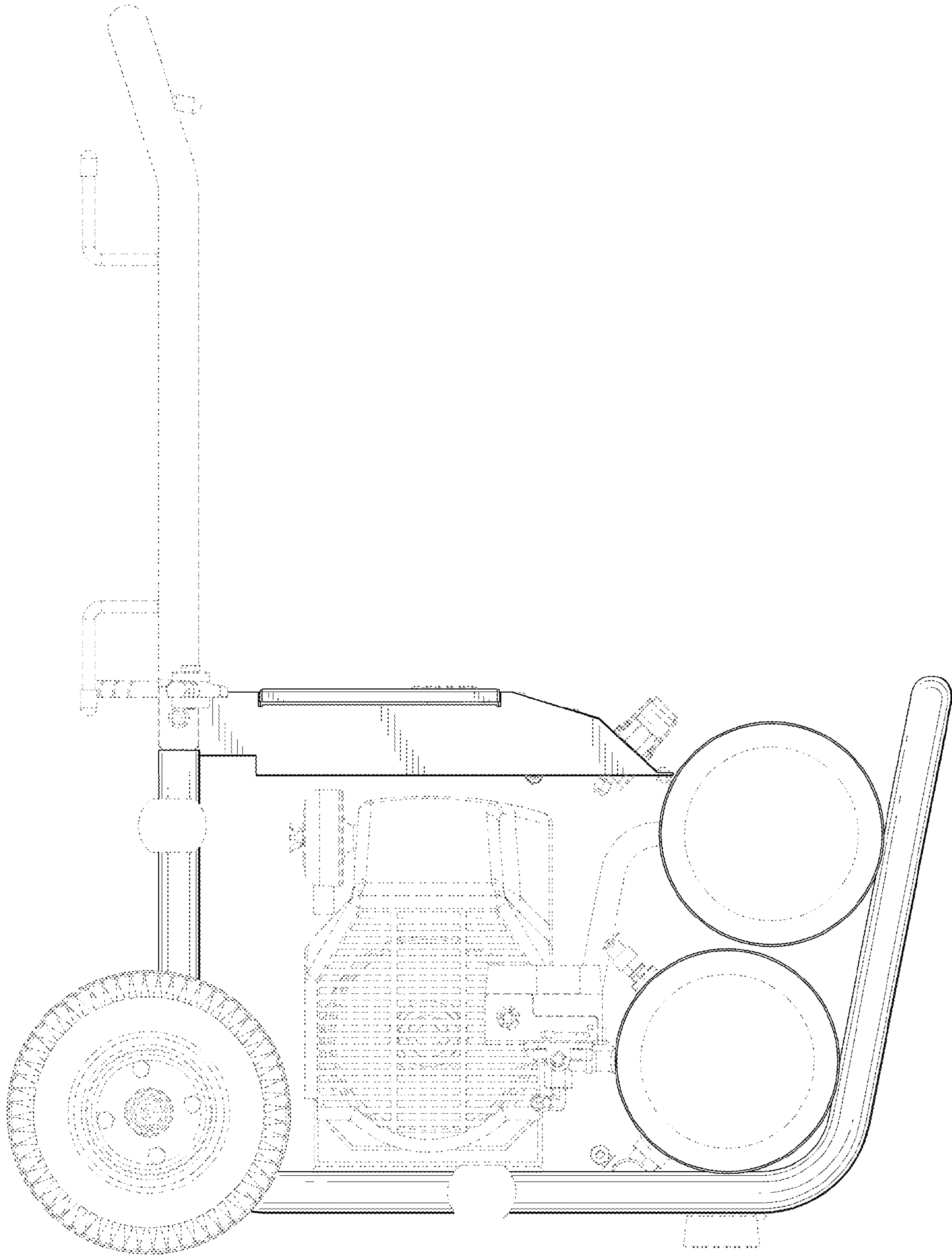


FIG.4

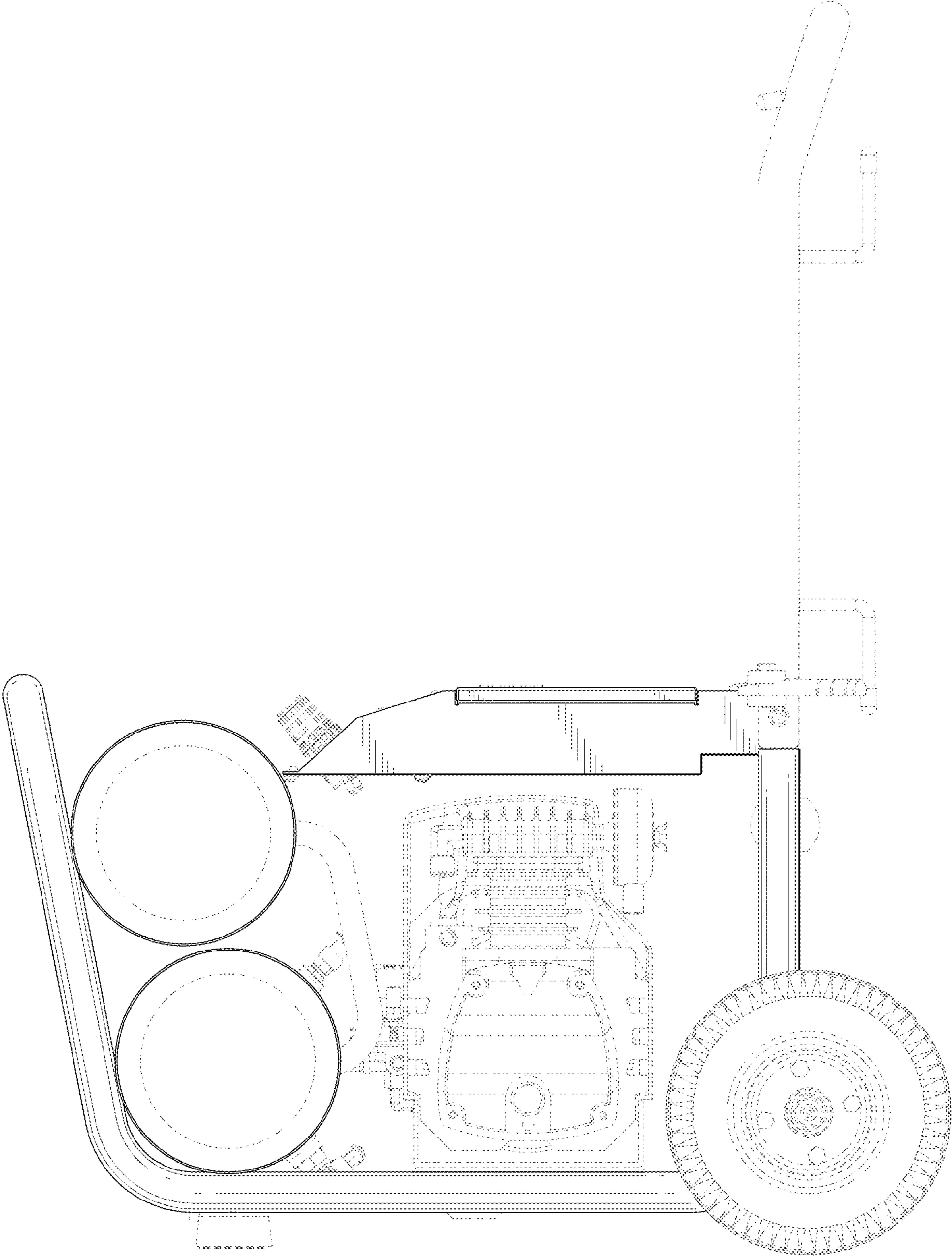


FIG.5

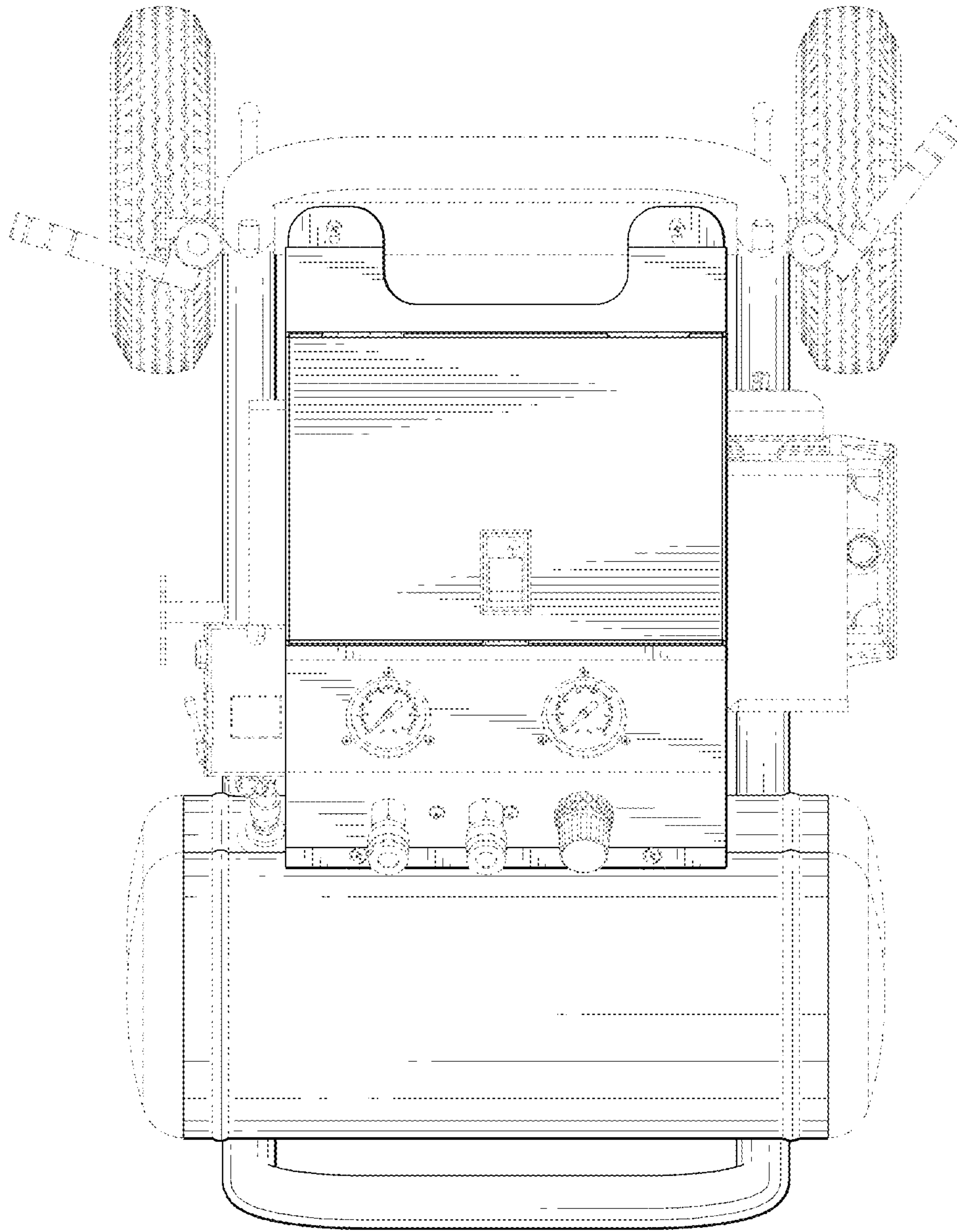


FIG.6

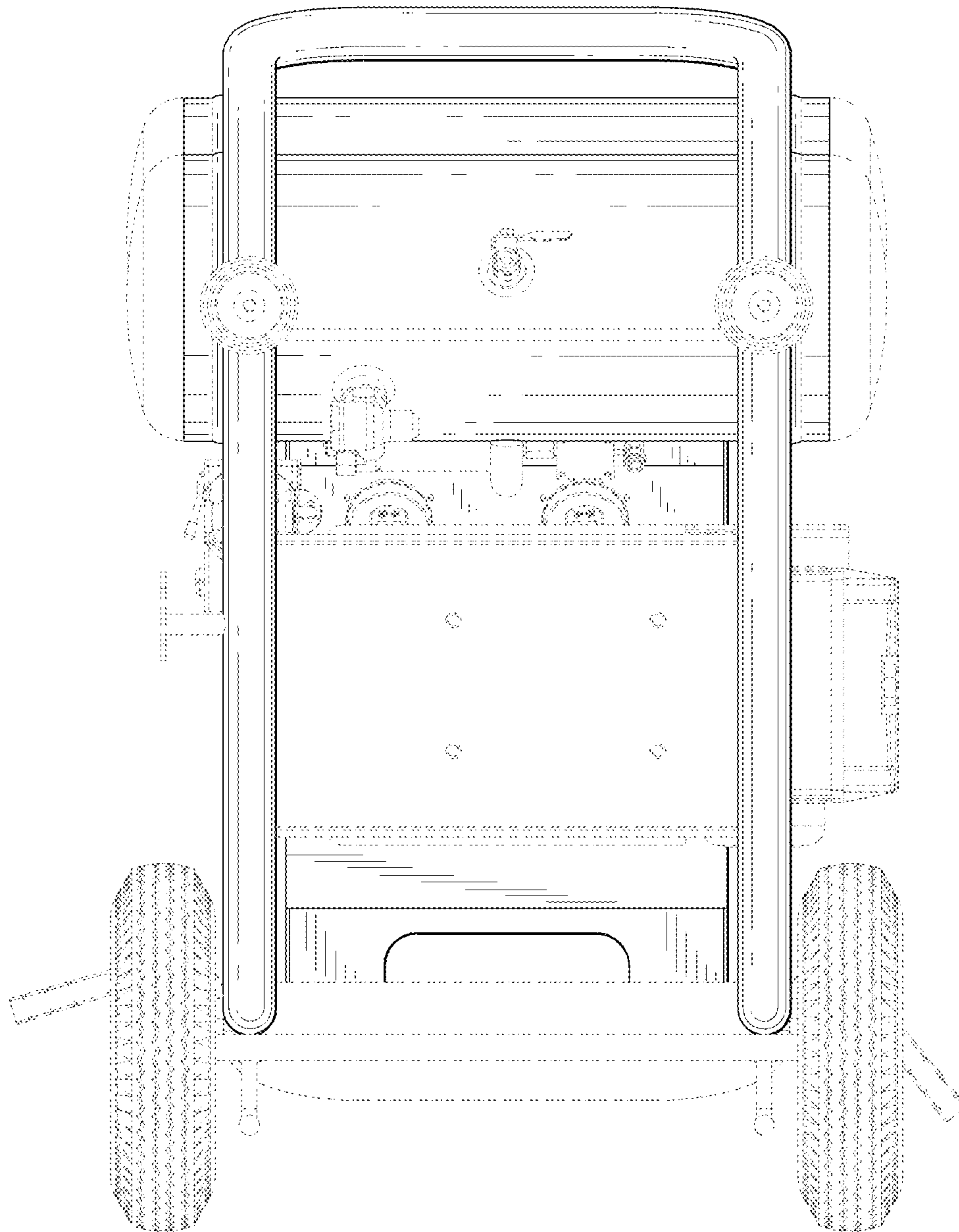


FIG.7