



US00D930041S

(12) **United States Design Patent** (10) **Patent No.:** **US D930,041 S**  
**Freiberg** (45) **Date of Patent:** **\*\* Sep. 7, 2021**

- (54) **COMPRESSOR** D531,194 S 10/2006 Hertenstein et al.
- (71) Applicant: **BITZER Kuehlmaschinenbau GmbH,** D538,826 S 3/2007 Kienzle  
Sindelfingen (DE) D595,748 S 7/2009 Kratschmer
- (72) Inventor: **Marcel Freiberg,** Naunhof (DE) D684,197 S 6/2013 Kienzle et al.
- (73) Assignee: **BITZER Kuehlmaschinenbau GmbH,** D690,324 S 9/2013 Kienzle et al.  
Sindelfingen (DE) D709,524 S 7/2014 Ohser et al.
- D717,344 S 11/2014 Ohser et al.
- D720,778 S 1/2015 Lim
- D732,641 S 6/2015 Hermann
- D733,764 S 7/2015 Ohser

(Continued)

(\*\*) Term: **15 Years**

(21) Appl. No.: **29/687,635**

(22) Filed: **Apr. 15, 2019**

(30) **Foreign Application Priority Data**

- Oct. 15, 2018 (EM) ..... 005798626
- Oct. 15, 2018 (EM) ..... 005798626-0001
- Oct. 15, 2018 (EM) ..... 005798626-0003
- Oct. 15, 2018 (EM) ..... 005798626-0005

(51) **LOC (13) Cl.** ..... **15-02**

(52) **U.S. Cl.**  
USPC ..... **D15/9**

(58) **Field of Classification Search**  
USPC ..... D15/7-9; D24/111; D13/103; D23/231,  
D23/232, 225  
CPC ..... F04B 35/04; F04B 41/02; F04B 41/00;  
F04B 35/06; F04B 39/12; F04B 23/00;  
F04B 23/02; F04B 53/92; F04B 1/005;  
F04B 39/14; F04B 39/21; F02M 37/04;  
F02M 37/14; F04C 23/001; F04C 21/007;  
F04C 18/0207; F04C 29/12; F04C 29/04  
See application file for complete search history.

(56) **References Cited**

**U.S. PATENT DOCUMENTS**

- D394,068 S 5/1998 Pollrich et al.
- D467,254 S 12/2002 Ullrich
- D479,247 S 9/2003 Ullrich

**OTHER PUBLICATIONS**

Bitzer, Ecoline+ Transcritical, (site visited Nov. 2, 2020), Bitzer Website, URL:<<https://www.bitzer.de/gb/en/reciprocating-compressors/ecoline-1-transcritical/>> (Year: 2020).\*

(Continued)

*Primary Examiner* — Sheryl Lane  
*Assistant Examiner* — Mark T. Philipps  
 (74) *Attorney, Agent, or Firm* — Reinhart Boerner Van Deuren P.C.

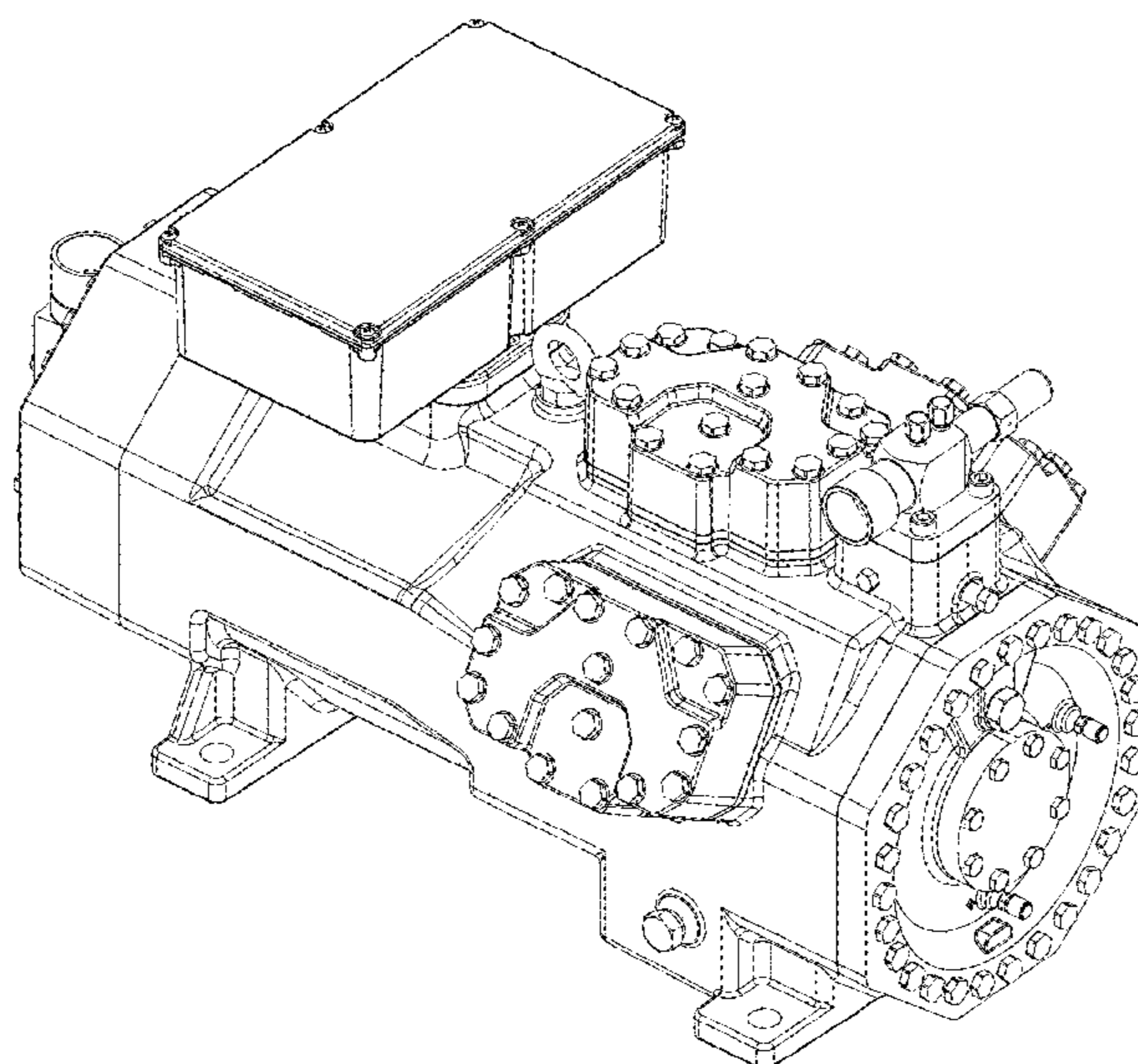
(57) **CLAIM**

I claim the ornamental design for a compressor, as shown and described.

**DESCRIPTION**

FIG. 1 is a perspective view from front and left hand of a compressor according to the present invention;  
 FIG. 2 is a left side view of the compressor of FIG. 1;  
 FIG. 3 is a right side view of the compressor of FIG. 1;  
 FIG. 4 is a top view of the compressor of FIG. 1;  
 FIG. 5 is a bottom view of the compressor of FIG. 1;  
 FIG. 6 is a rear view of the compressor of FIG. 1; and,  
 FIG. 7 is a front view of the compressor of FIG. 1.  
 The broken lines shown in the figures are included for the purpose of illustrating portions of the compressor which form no part of the claimed design.

**1 Claim, 7 Drawing Sheets**



(56)

**References Cited**

## U.S. PATENT DOCUMENTS

D735,244 S \* 7/2015 Jeong ..... D15/9  
D745,896 S 12/2015 Ohser et al.  
D754,754 S \* 4/2016 Wang ..... D15/9  
D761,326 S 7/2016 Kienzle et al.  
D763,323 S 8/2016 Mikulic  
D770,538 S \* 11/2016 Li ..... D15/9  
D777,213 S 1/2017 Ohser  
D777,794 S 1/2017 Wipper et al.  
D828,402 S \* 9/2018 Sandkotter ..... D15/9  
D828,403 S \* 9/2018 Sandkotter ..... D15/9  
D829,711 S 10/2018 Akana et al.  
D829,771 S \* 10/2018 Loerch ..... D15/9  
D835,158 S \* 12/2018 Shin ..... D15/9  
D840,438 S 2/2019 Mikulic et al.  
D842,341 S \* 3/2019 Shin ..... D15/9  
D868,841 S \* 12/2019 Zaytsev ..... D15/9

## OTHER PUBLICATIONS

Copeland, Small Semi-Hermetic Compressors for Refrigeration, (site visited Nov. 2, 2020), Emerson.com, URL:<<https://climate.emerson.com/en-us/shop/1/copeland-small-semi-hermetic-compressors>> (Year: 2020).\*

U.S. Appl. No. 29/539,144, filed Sep. 11, 2015, Christensen.  
U.S. Appl. No. 29/616,611, filed Sep. 17, 2017, Mikesch et al.  
U.S. Appl. No. 29/656,442, filed Jul. 12, 2018, Wipper et al.  
U.S. Appl. No. 29/658,622, filed Aug. 1, 2018, Loerch et al.  
U.S. Appl. No. 29/687,664, filed Apr. 15, 2019, Wipper et al.

\* cited by examiner

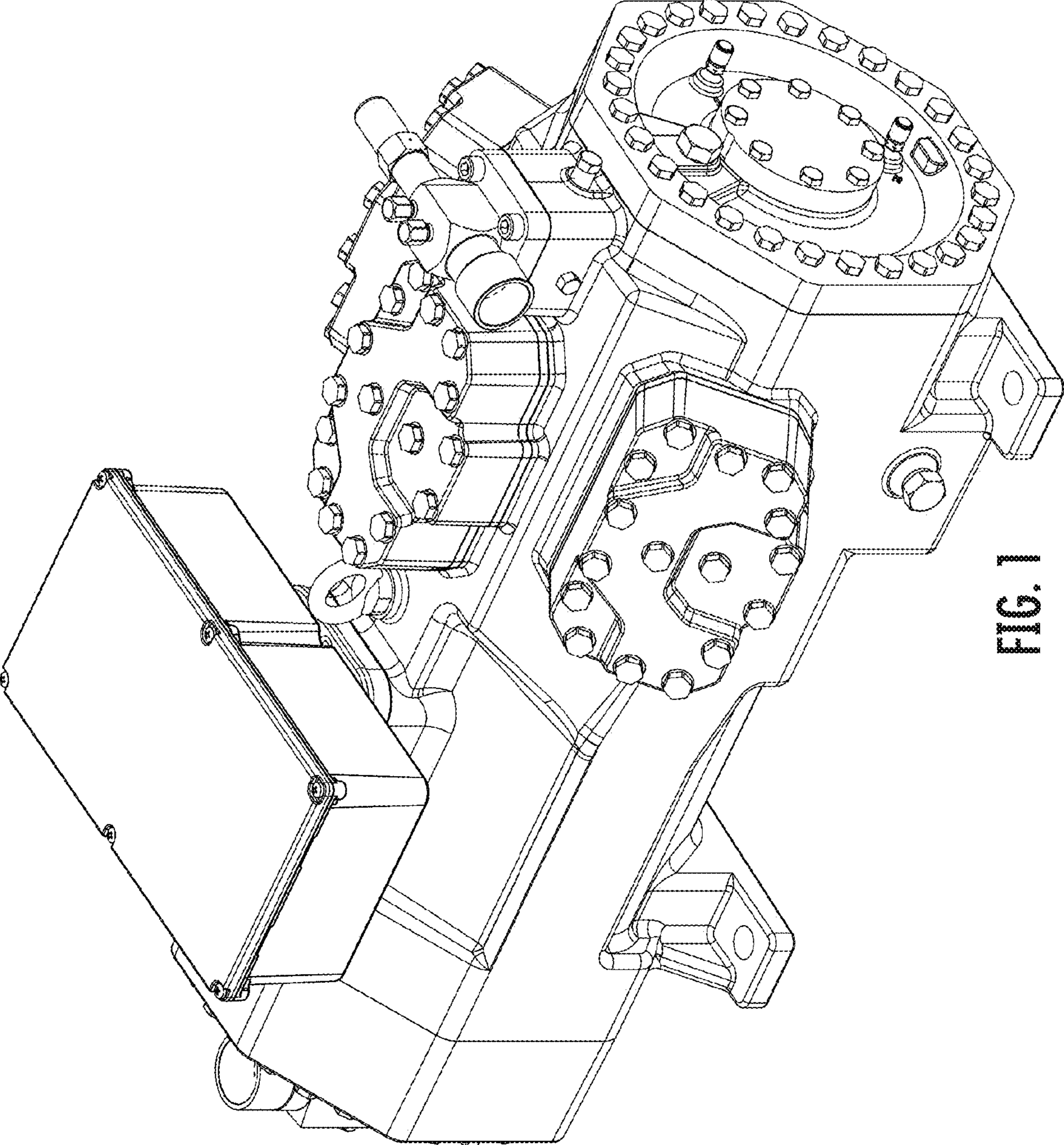


FIG. 1

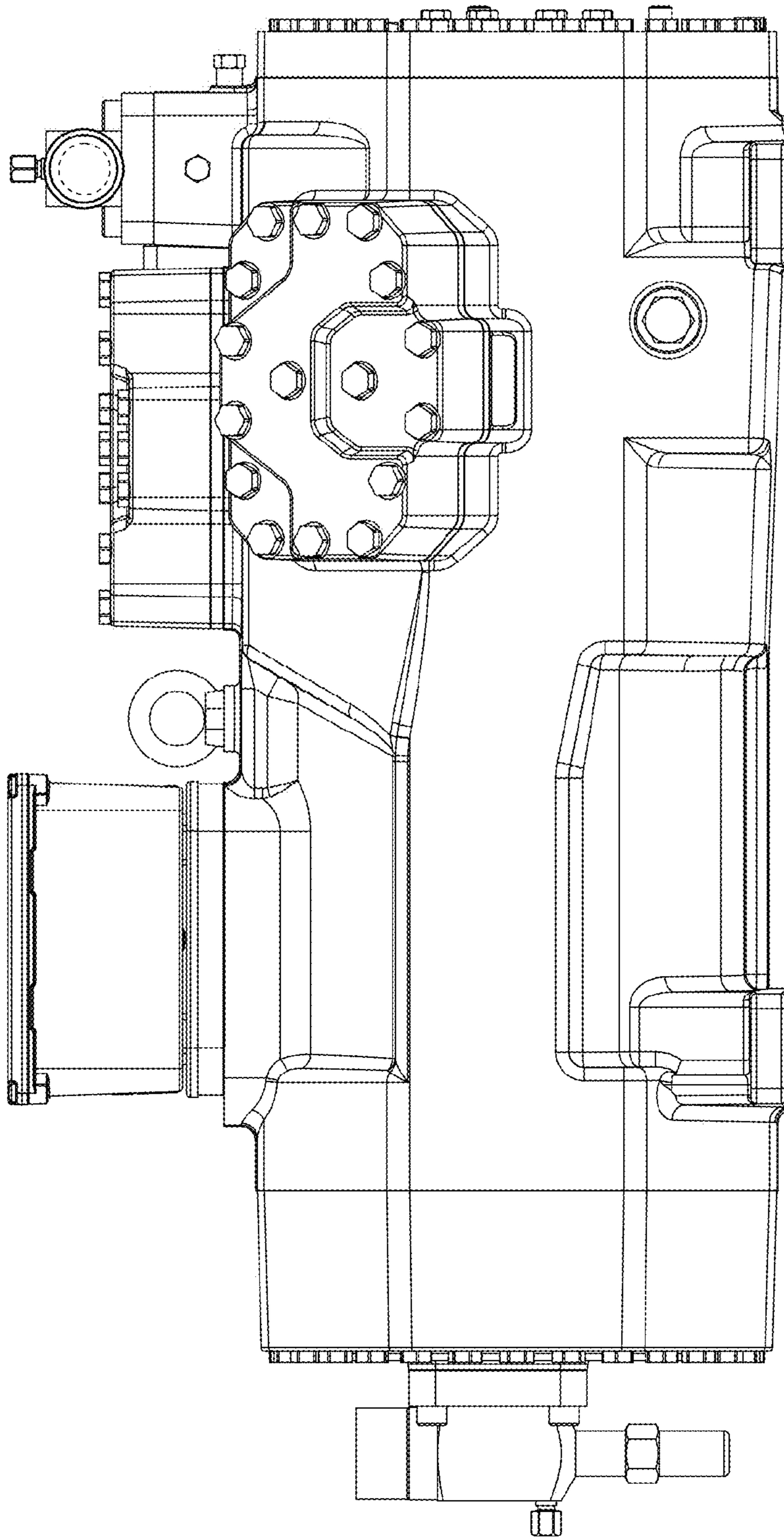


FIG. 2

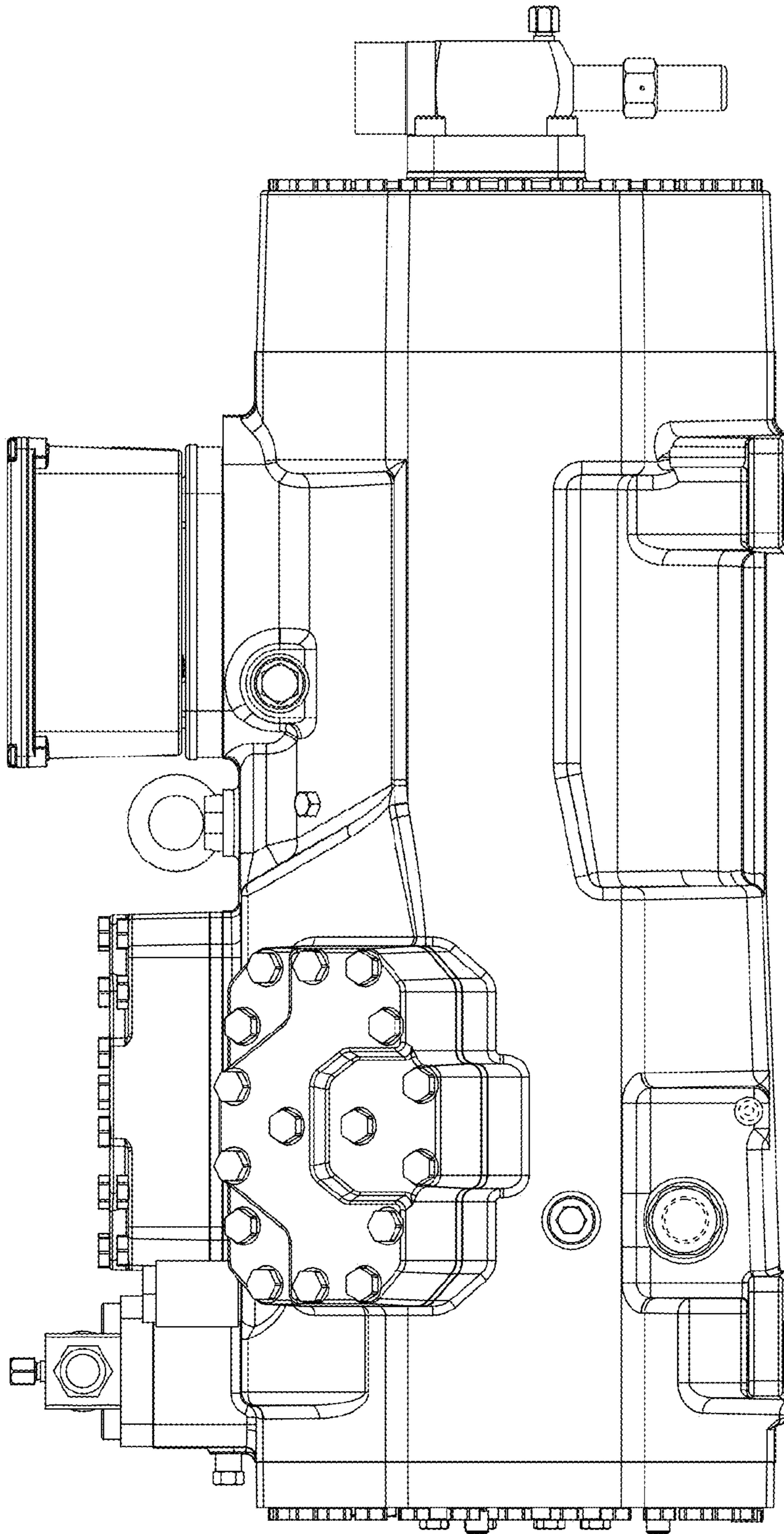


FIG. 3

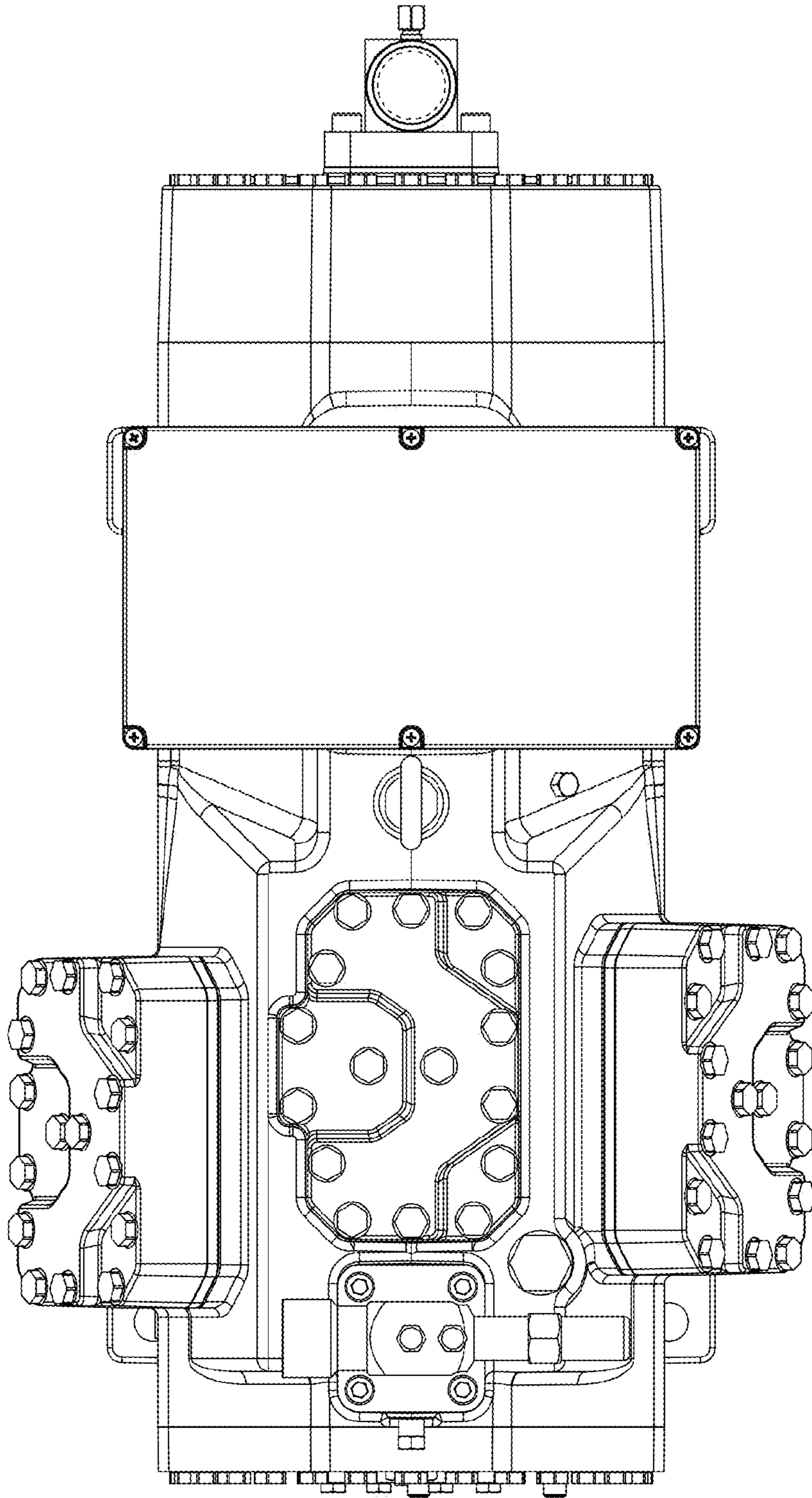


FIG. 4

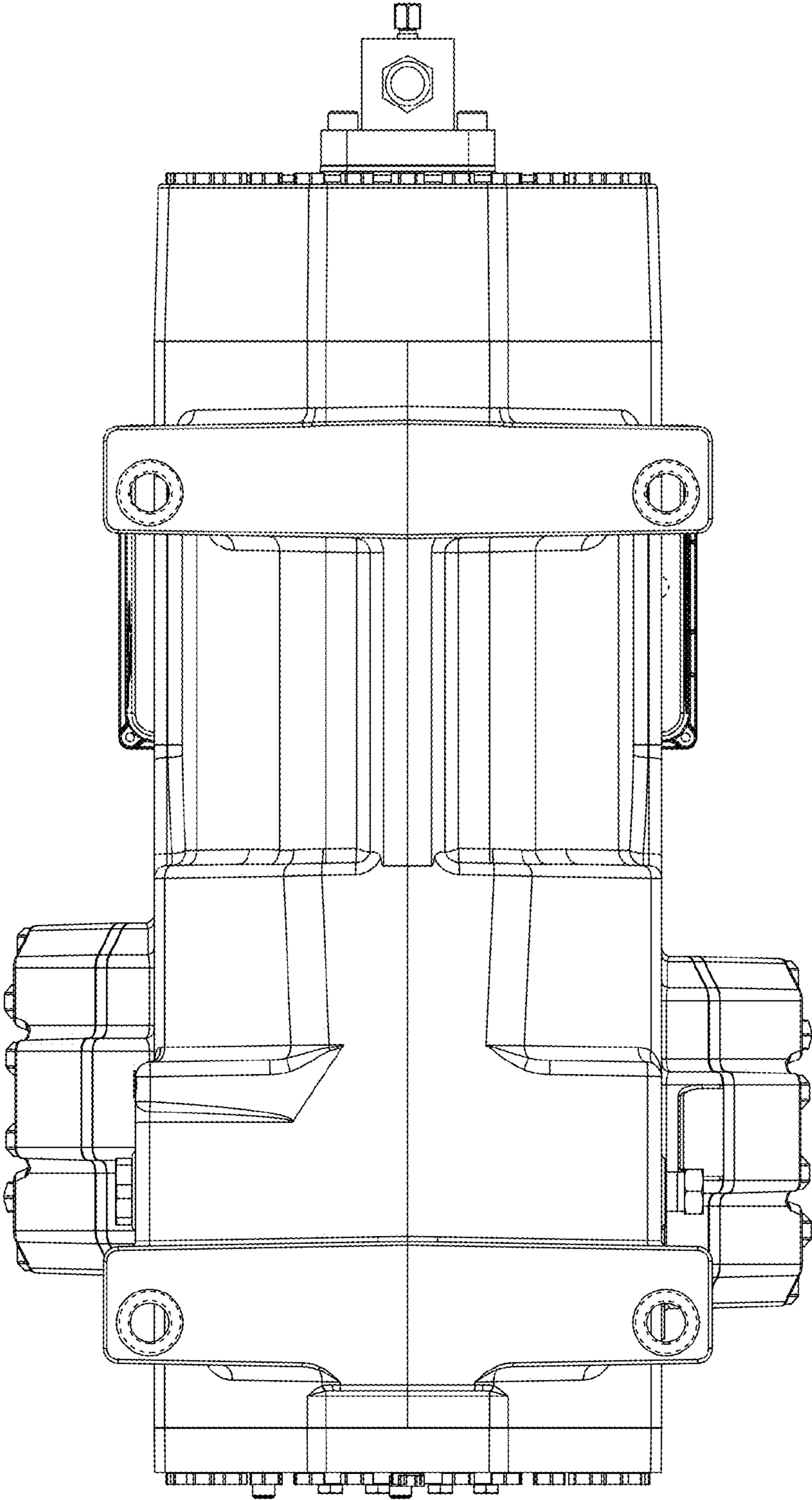


FIG. 5

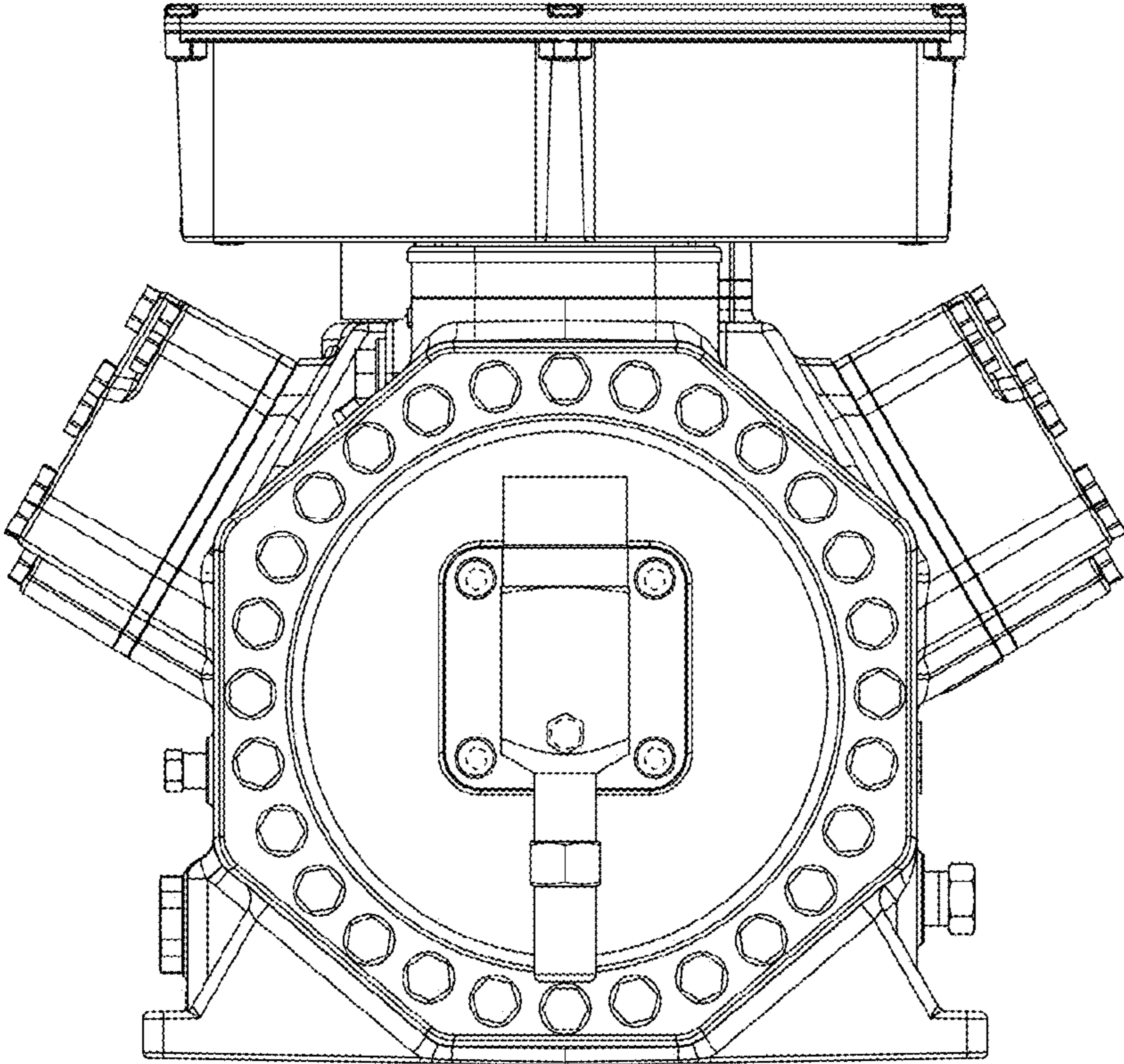


FIG. 6



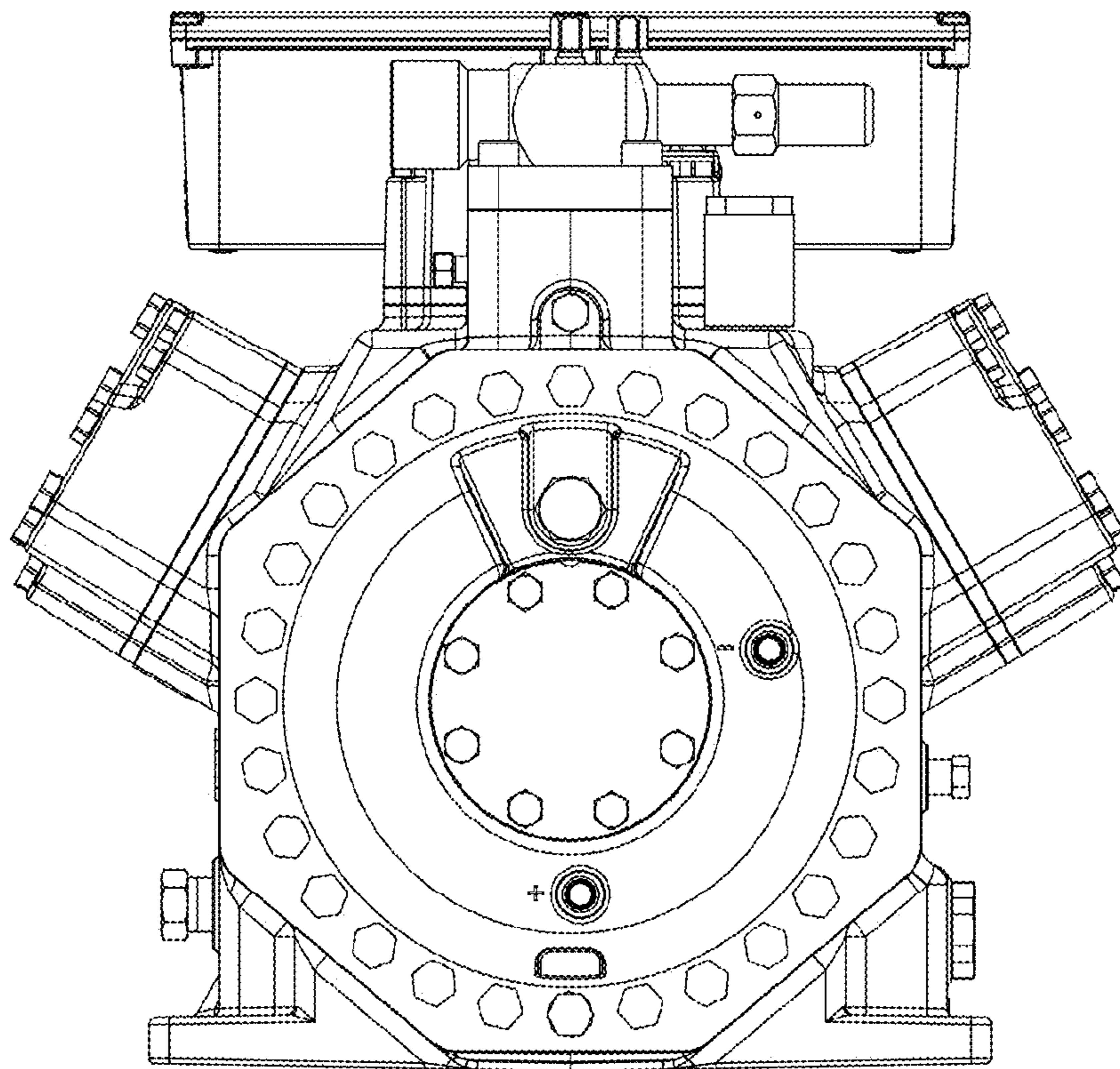


FIG. 7