

US00D930034S

(12) **United States Design Patent**
Foubert et al.

(10) **Patent No.:** **US D930,034 S**
(45) **Date of Patent:** **** Sep. 7, 2021**

(54) **DISPLAY SCREEN OR PORTION THEREOF WITH GRAPHICAL USER INTERFACE**

(71) Applicant: **Schlumberger Technology Corporation**, Sugar Land, TX (US)

(72) Inventors: **Benoit Foubert**, Houston, TX (US); **Staffan Karl Eriksson**, Houston, TX (US); **Muhsen Al-Qubaisi**, Houston, TX (US)

(73) Assignee: **Schlumberger Technology Corporation**, Sugar Land, TX (US)

(**) Term: **15 Years**

(21) Appl. No.: **29/677,634**

(22) Filed: **Jan. 22, 2019**

Related U.S. Application Data

(62) Division of application No. 29/560,714, filed on Apr. 8, 2016, now abandoned.

(51) **LOC (13) Cl.** **14-04**

(52) **U.S. Cl.**
USPC **D14/488**

(58) **Field of Classification Search**

USPC D14/485-495; D20/11; D21/324, 325
CPC G06F 3/048; G06F 3/0481; G06F 3/04817;
G06F 3/0482; G06F 3/0483; G06F 3/04842;
G06F 3/0485; G06F 3/04855; G06F 3/0486;
G06F 3/0488; G06F 3/04886; G06F 9/4443; G06F 17/211;
G06F 17/212; B63J 99/00; G06T 11/206; E21B 47/00;
E21B 44/00; H04N 5/44513; G01C 21/3484; G05B 19/042

See application file for complete search history.

(56) **References Cited**

U.S. PATENT DOCUMENTS

D307,127 S * 4/1990 Simons D12/192
7,143,363 B1 * 11/2006 Gaynor B63J 99/00
715/771

(Continued)

OTHER PUBLICATIONS

“VERIFI”, Sep. 26, 2015, posted at thechargepoint.com, [site visited Jun. 16, 2020]. <http://web.archive.org/web/20150926120945/http://www.thechargepoint.com/technology/verifi> (Year: 2015).*

(Continued)

Primary Examiner — John M Otte

(74) *Attorney, Agent, or Firm* — Alec J. McGinn

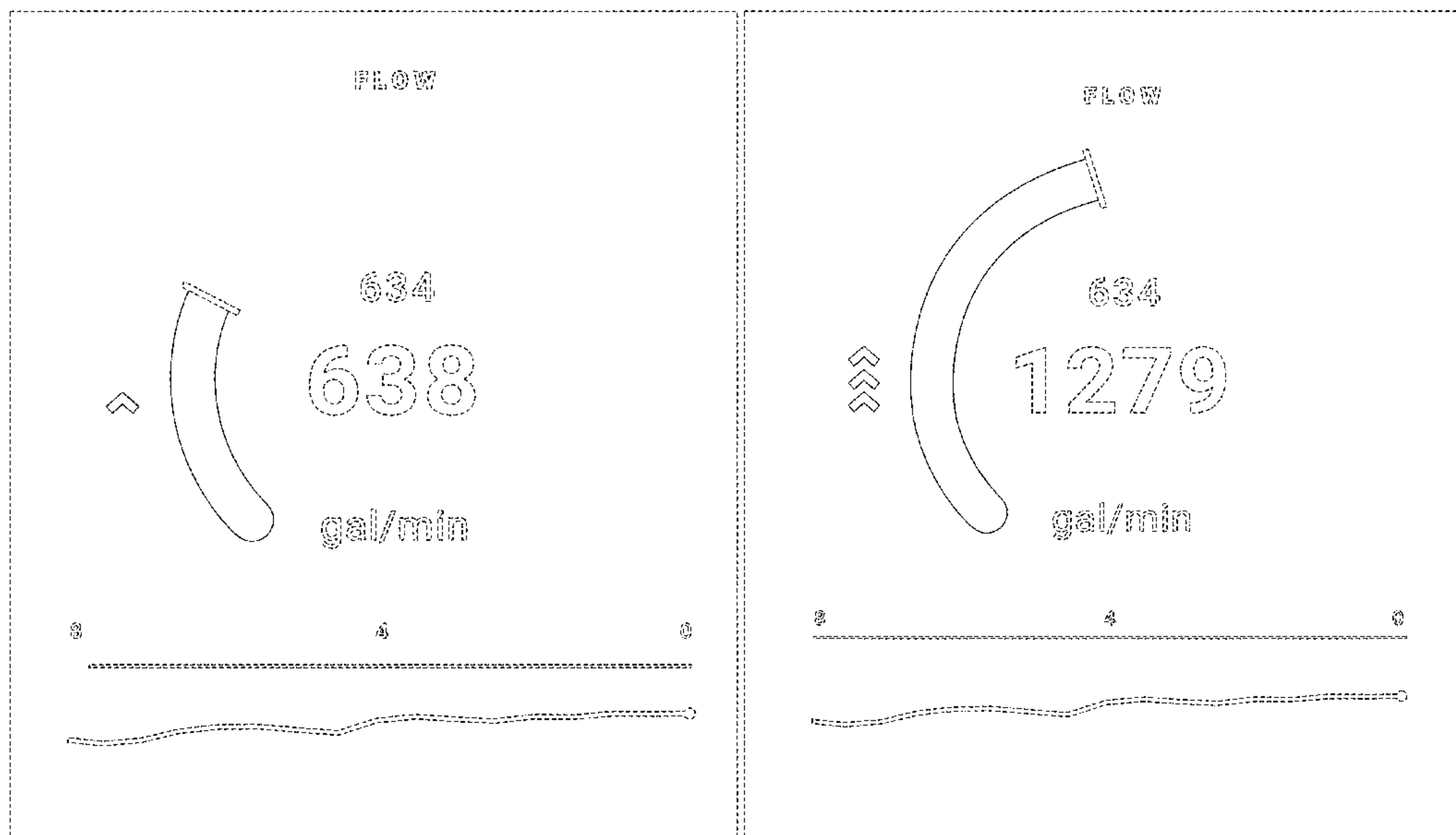
(57) **CLAIM**

The ornamental design for a display screen or portion thereof with graphical user interface, as shown and described.

DESCRIPTION

FIG. 1 is a front view of a display screen or portion thereof with graphical user interface in a first embodiment showing the first image in a sequence of our new design; FIG. 2 is a front view of the second image thereof; FIG. 3 is a front view of the third image thereof; FIG. 4 is a front view of a display screen or portion thereof with graphical user interface in a second embodiment showing the first image in a sequence of our new design; FIG. 5 is a front view of the second image thereof; and, FIG. 6 is a front view of the third image thereof. The broken lines in the drawings illustrate a display screen or portions thereof or environment and form no part of the claimed design. The appearance of the transitional image sequentially transitions between the images shown in FIGS. 1-3 and in FIGS. 4-6. The process or period in which one image transitions to another image forms no part of the claimed design.

1 Claim, 6 Drawing Sheets



(56)

References Cited

U.S. PATENT DOCUMENTS

- | | | | | |
|-------------------|---------|-------------|-------|-------------------------|
| D688,680 S * | 8/2013 | Fleischmann | | D14/486 |
| D701,226 S * | 3/2014 | Jung | | D14/486 |
| D703,689 S * | 4/2014 | Kim | | D14/486 |
| D748,126 S * | 1/2016 | Sarukkai | | D14/486 |
| D753,176 S * | 4/2016 | Barbato | | D14/488 |
| D760,244 S * | 6/2016 | Lv | | D14/485 |
| D771,103 S * | 11/2016 | Eder | | D14/486 |
| D775,658 S * | 1/2017 | Luo | | D14/488 |
| D777,200 S * | 1/2017 | Luo | | D14/488 |
| D786,304 S * | 5/2017 | Cronin | | D14/491 |
| D795,900 S * | 8/2017 | Bischoff | | D14/486 |
| D798,311 S * | 9/2017 | Golden | | G05B 19/042
D14/485 |
| D800,769 S * | 10/2017 | Hennessy | | D14/489 |
| D808,983 S * | 1/2018 | Narinedhat | | D14/485 |
| D809,535 S * | 2/2018 | Park | | D14/485 |
| D824,417 S * | 7/2018 | Narinedhat | | D14/488 |
| D829,739 S * | 10/2018 | Lavin, Jr. | | D14/486 |
| D869,477 S * | 12/2019 | Yoon | | D14/485 |
| D878,391 S * | 3/2020 | Zeng | | D14/485 |
| 10,794,153 B2 * | 10/2020 | Meehan | | E21B 44/00 |
| 2007/0136679 A1 * | 6/2007 | Yang | | H04N 5/44513
715/772 |
| 2013/0345978 A1 * | 12/2013 | Lush | | G01C 21/3484
701/533 |
| 2014/0028682 A1 * | 1/2014 | Omiya | | G06T 11/206
345/440 |
| 2018/0106134 A1 * | 4/2018 | Meehan | | E21B 47/00 |

OTHER PUBLICATIONS

“Imperial iManifold—Smart Phone & Tablet Compatible HVAC Digital Manifold”, May 7, 2014, posted at youtube.com, [site visited Jun. 16, 2020]. https://www.youtube.com/watch?v=n0T_Ed6i-Yc (Year: 2014).*

* cited by examiner

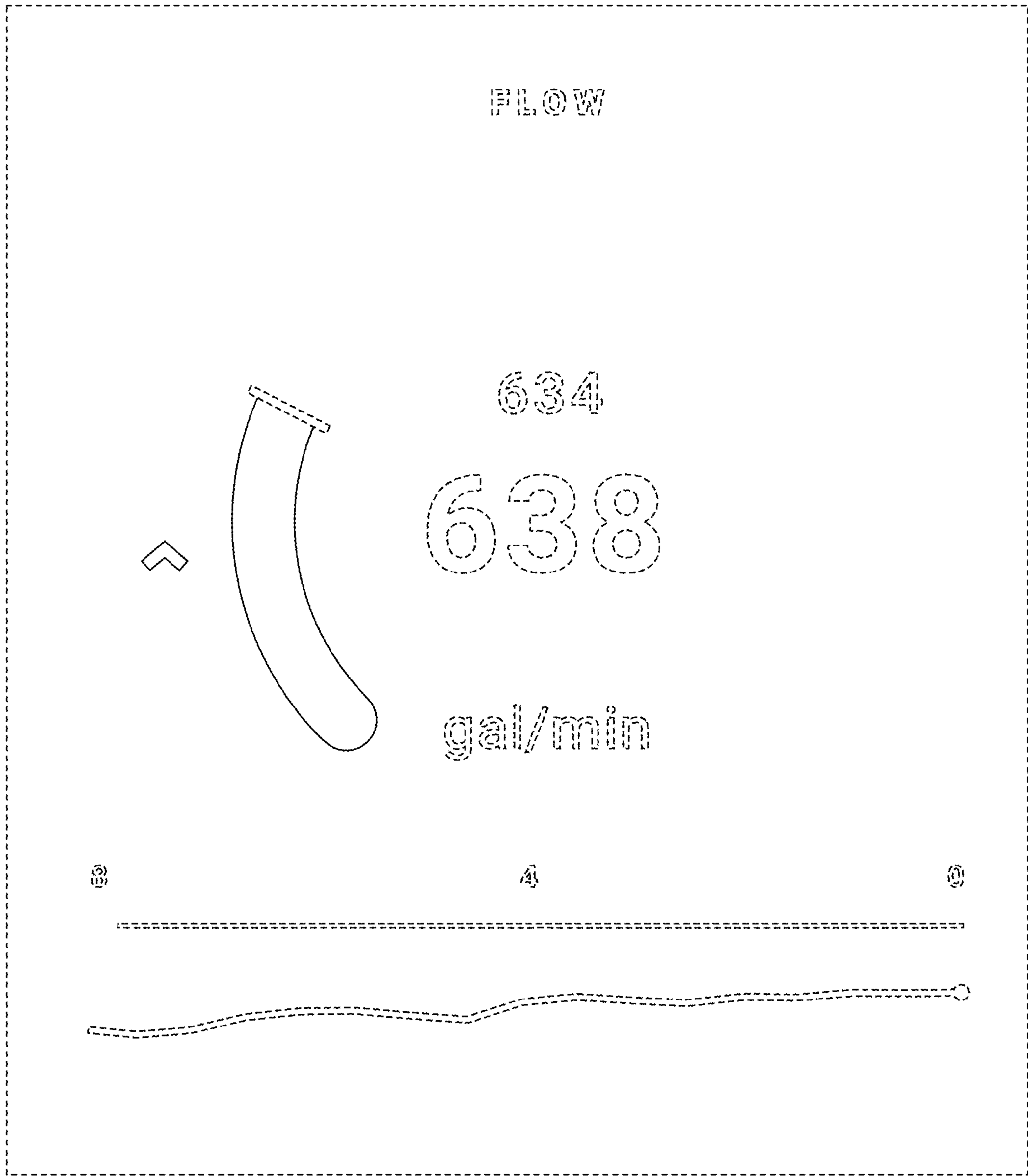


FIG. 1

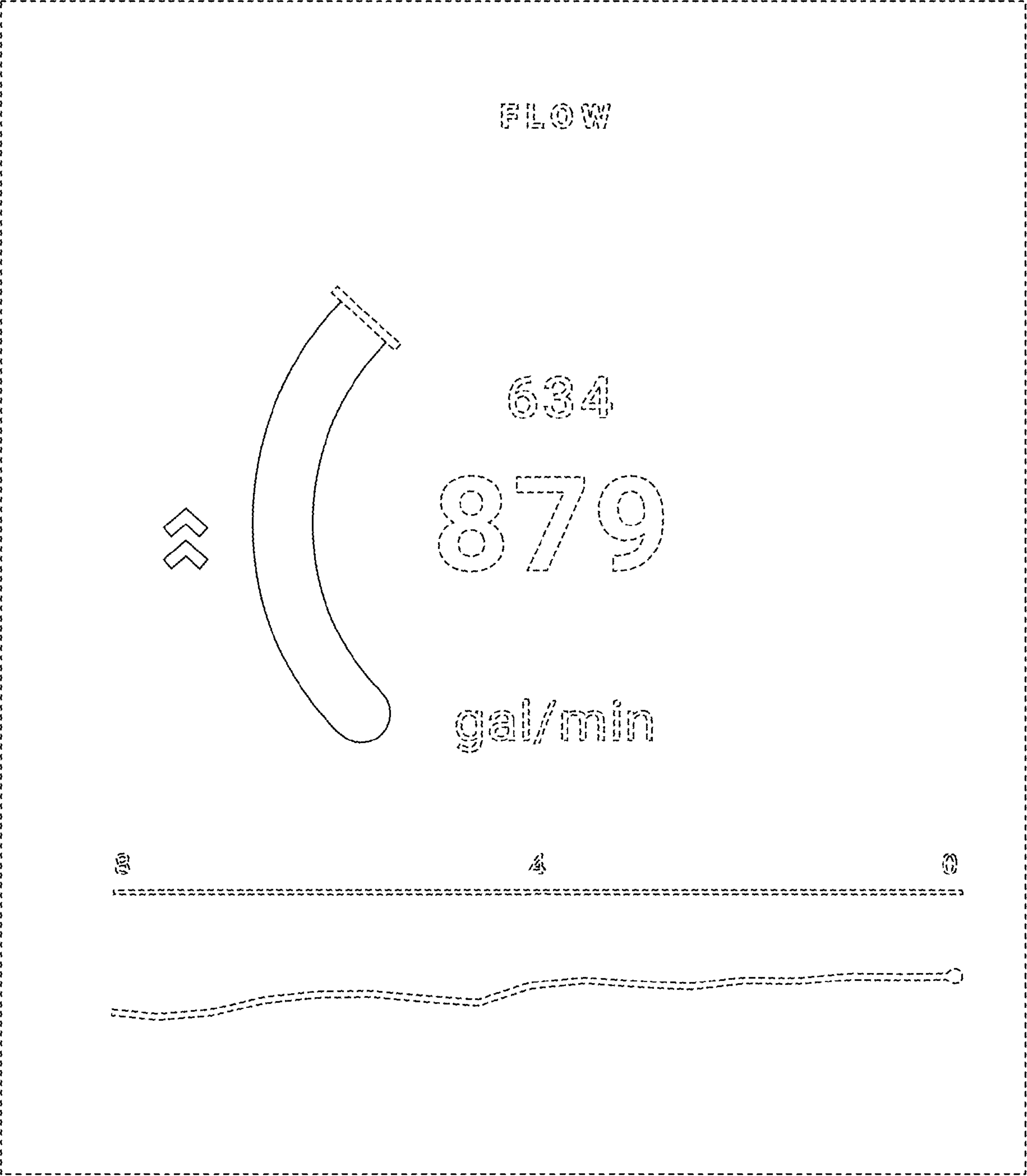


FIG. 2

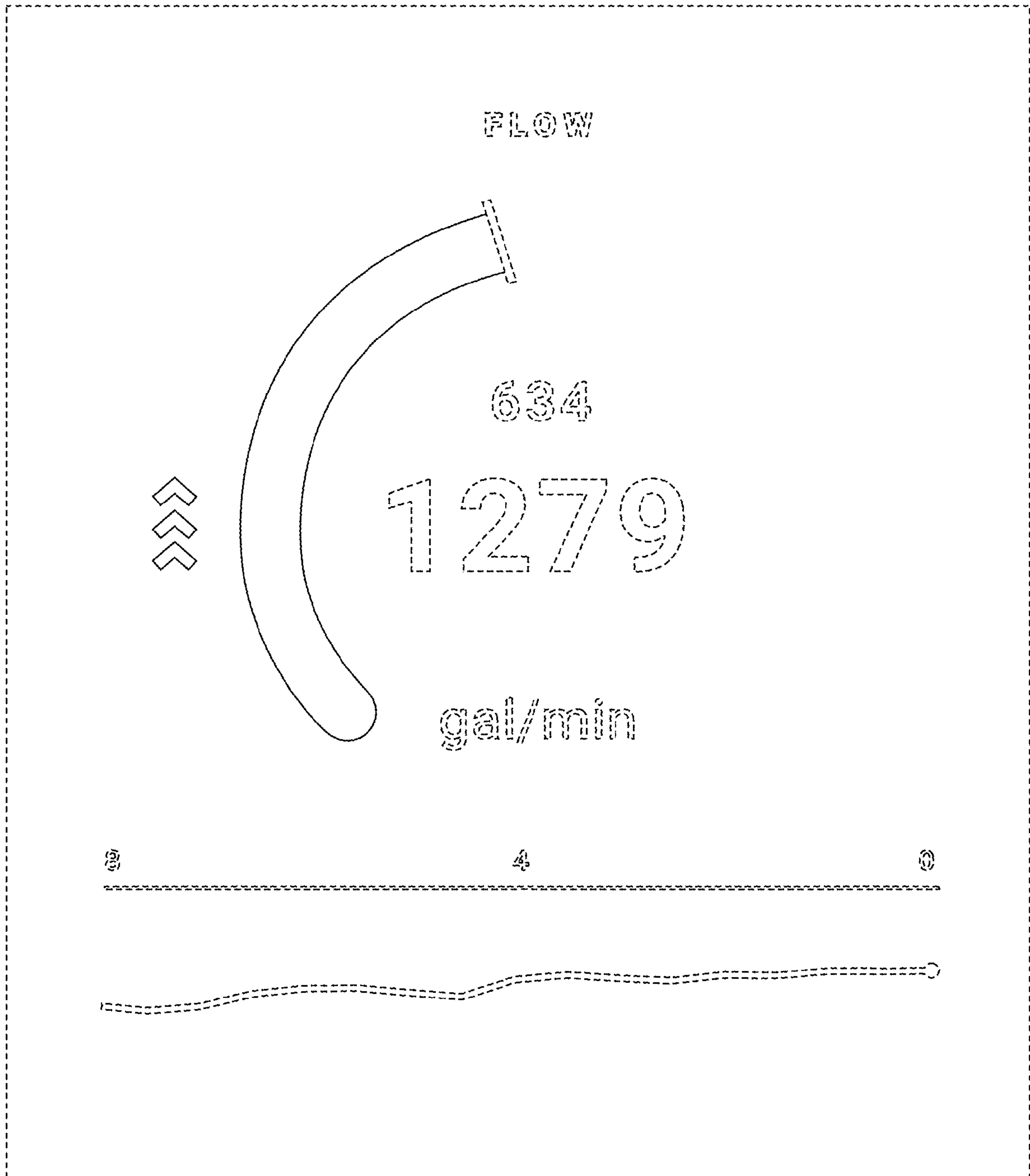


FIG. 3

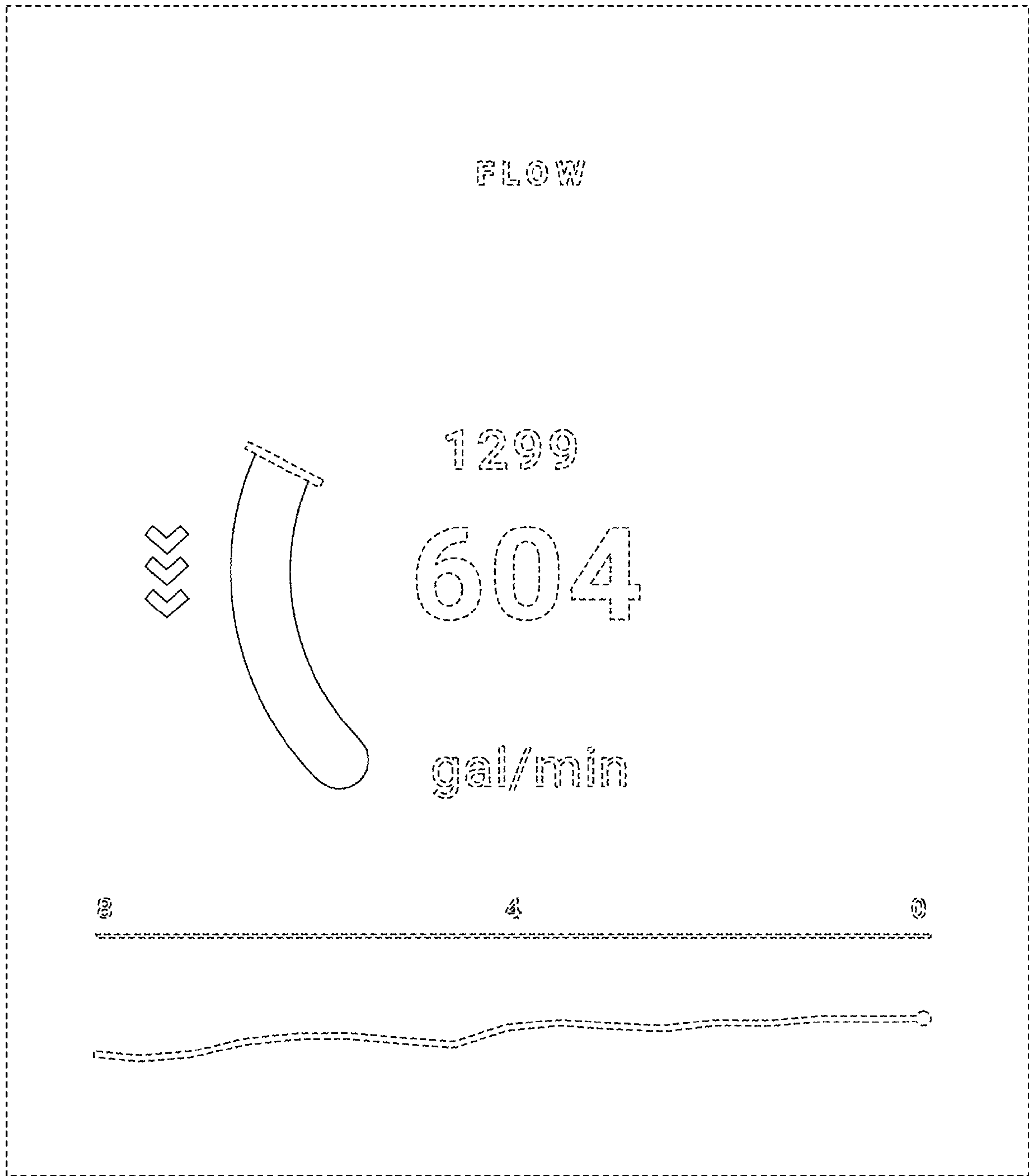


FIG. 4

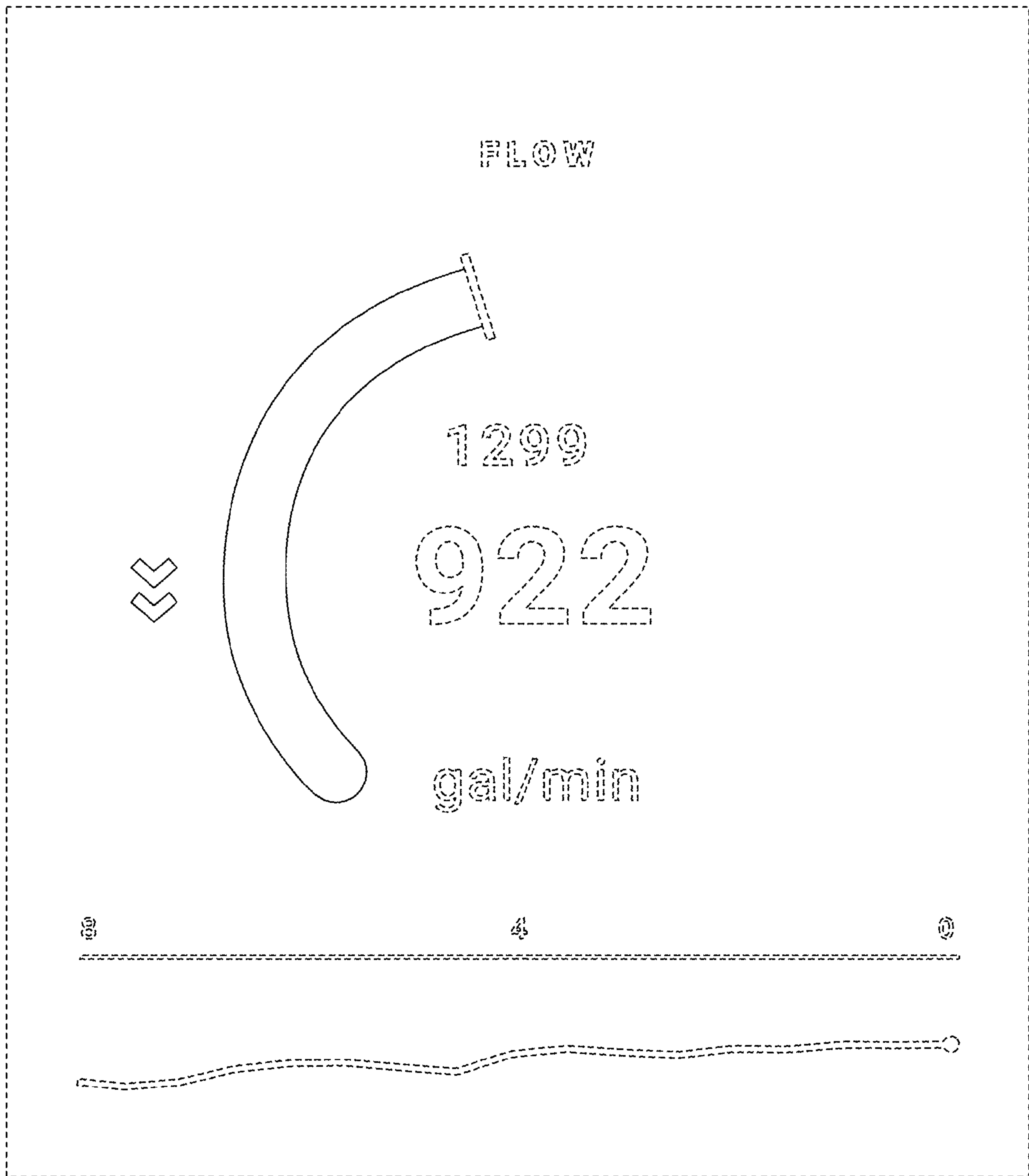


FIG. 5

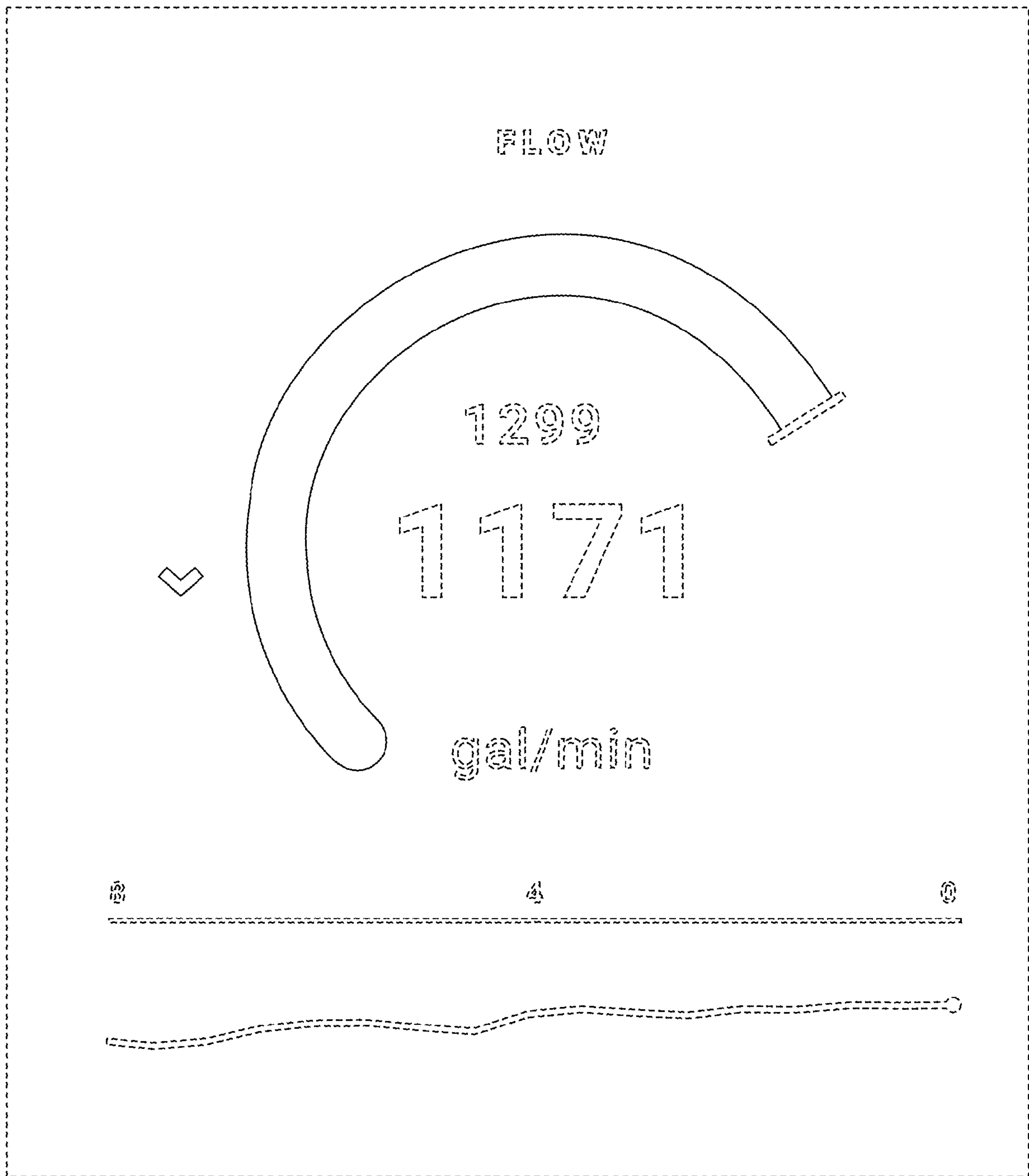


FIG. 6