

US00D930012S

(12) **United States Design Patent**
Luo et al.

(10) **Patent No.:** **US D930,012 S**

(45) **Date of Patent:** **** Sep. 7, 2021**

(54) **ELECTRONIC DISPLAY FOR A WEARABLE DEVICE PRESENTING A GRAPHICAL USER INTERFACE**

D820,286 S * 6/2018 Kim D14/485
D849,774 S * 5/2019 Lee D14/486
D859,443 S * 9/2019 Kim D14/486
D910,654 S * 2/2021 Eder D14/485

(Continued)

(71) Applicant: **HUAWEI TECHNOLOGIES CO., LTD.**, Shenzhen (CN)

(72) Inventors: **Long Luo**, Shenzhen (CN); **Guyu Xie**, Shenzhen (CN)

(73) Assignee: **HUAWEI TECHNOLOGIES CO., LTD.**, Shenzhen (CN)

(**) Term: **15 Years**

(21) Appl. No.: **29/726,104**

(22) Filed: **Feb. 28, 2020**

(30) **Foreign Application Priority Data**

Aug. 31, 2019 (CN) 201930479001.2

(51) **LOC (13) Cl.** **14-04**

(52) **U.S. Cl.**
USPC **D14/485**

(58) **Field of Classification Search**
USPC D14/344, 485-495; D10/32, 39
CPC G06F 1/163
See application file for complete search history.

(56) **References Cited**

U.S. PATENT DOCUMENTS

D687,846 S * 8/2013 Jou G06F 3/04845
D14/486
D687,847 S * 8/2013 Jou D14/486
D715,816 S * 10/2014 Jou D14/486
D763,914 S * 8/2016 Butcher D14/490
D771,069 S * 11/2016 Na D14/485
D807,903 S * 1/2018 Kim D14/486
D820,284 S * 6/2018 Lee D14/485

OTHER PUBLICATIONS

“Garmin Fenix 5/5S/5X In-Depth Review.” DC Rainmaker, published Mar. 23, 2017 (Retrieved from the Internet Feb. 9, 2021). Internet URL: <<https://www.dcrainmaker.com/2017/03/garmin-fenix5-5s-5x-review.html>> (Year: 2017).*

(Continued)

Primary Examiner — Rachel A. Voorhies

(57) **CLAIM**

The ornamental design for an electronic display for a wearable device presenting a graphical user interface, as shown and described.

DESCRIPTION

FIG. 1 is a front view of a first image of an electronic display for a wearable device presenting a graphical user interface, showing our new design;

FIG. 2 is an enlarged front view taken from FIG. 1;

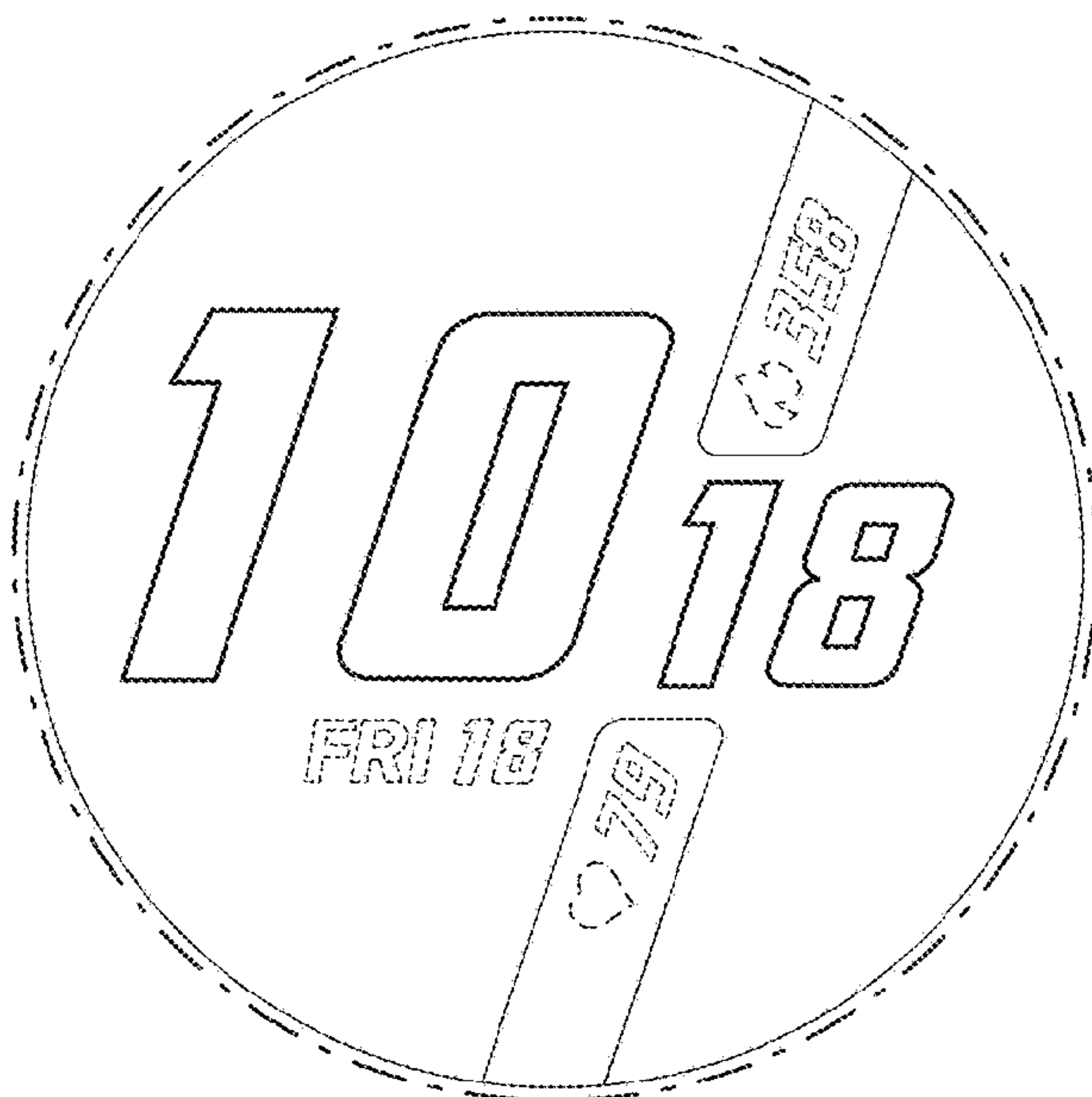
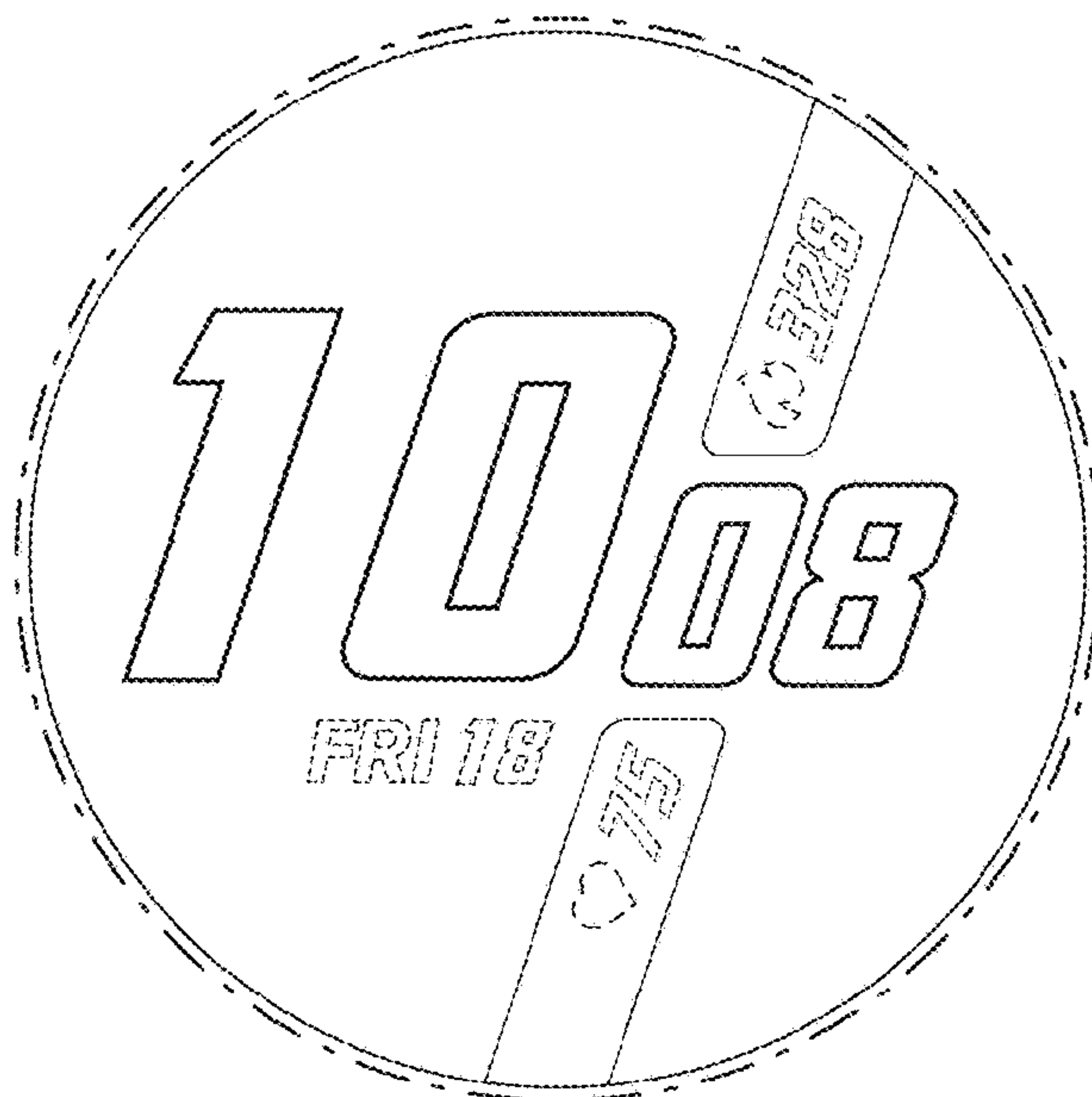
FIG. 3 is a front view of a second image thereof; and,

FIG. 4 is an enlarged front view taken from FIG. 3.

The appearance of the graphical user interface transitions sequentially between the images shown in FIGS. 1 and 3 and FIGS. 2 and 4. The process or period in which one image transitions to another forms no part of the claimed design. The broken line showing of the electronic display for a wearable device presenting a graphical user interface is for the purpose of illustrating portions of the electronic display for a wearable device presenting a graphical user interface and forms no part of the claimed design.

The dot-dash broken line encircling the enlarged portions forms no part of the claimed design.

1 Claim, 4 Drawing Sheets



(56)

References Cited

U.S. PATENT DOCUMENTS

D916,903 S * 4/2021 Arena D14/490
2017/0357427 A1 * 12/2017 Wilson G06F 3/04845

OTHER PUBLICATIONS

Vasil, Serge. "Fitbit Ionic Levels 2." Dribbble, published Feb. 23, 2018 (Retrieved from the Internet Feb. 9, 2021). Internet URL: <<https://dribbble.com/shots/4259983-Fitbit-Ionic-Levels-2>> (Year: 2018).*

Westenberg, Jimmy. "Leaked images reveal One UI coming to the Samsung Galaxy Watch Active (Updated)." Android Authority, published Feb. 12, 2019 (Retrieved from the Internet Feb. 5, 2021). Internet URL: <<https://www.androidauthority.com/samsung-galaxy-watch-active-specs-952425/>> (Year: 2019).*

"华为 Watch GT2 评测：满足你对 智能手表的所有想象." Zhihu, published Oct. 17, 2019 (Retrieved from the Internet Feb. 8, 2021). Internet URL: <<https://zhuanlan.zhihu.com/p/87269148>> (Year: 2019).*

* cited by examiner

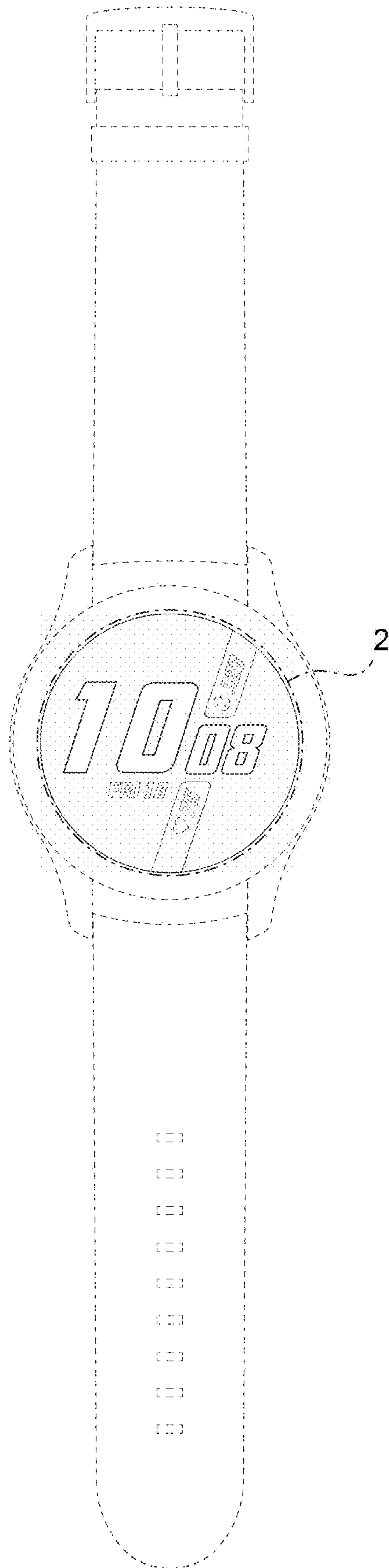


FIG. 1

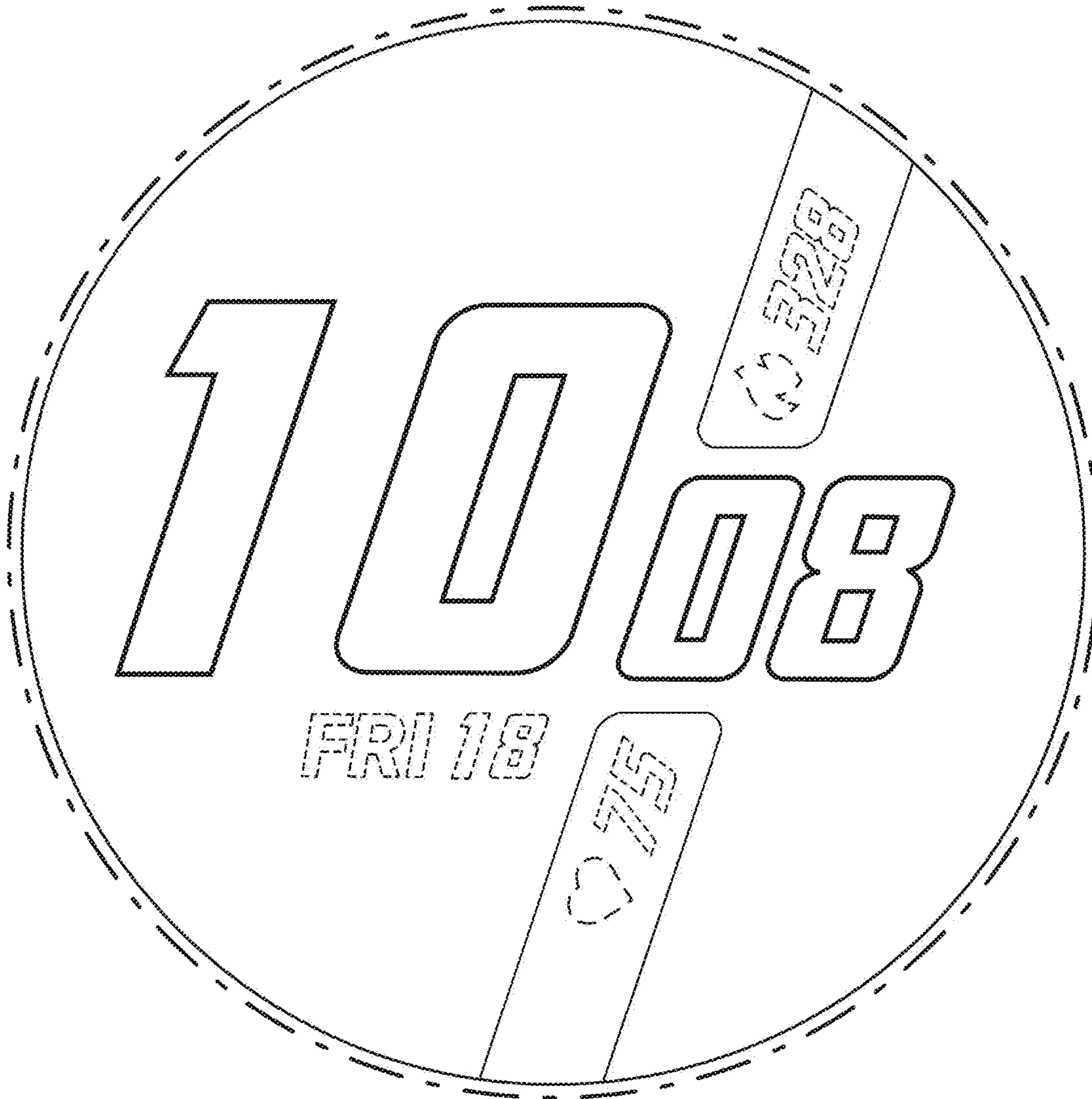


FIG. 2

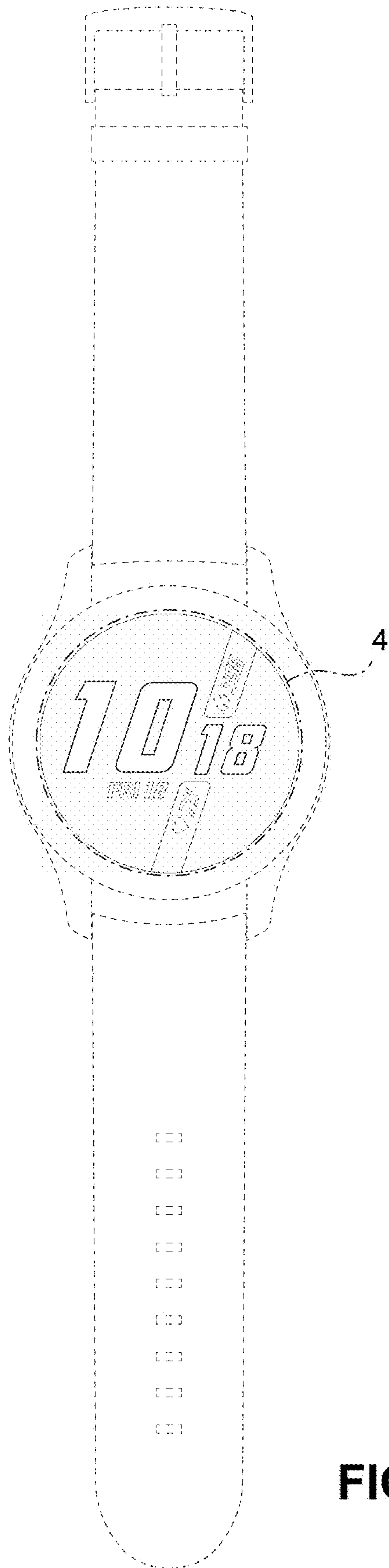


FIG. 3

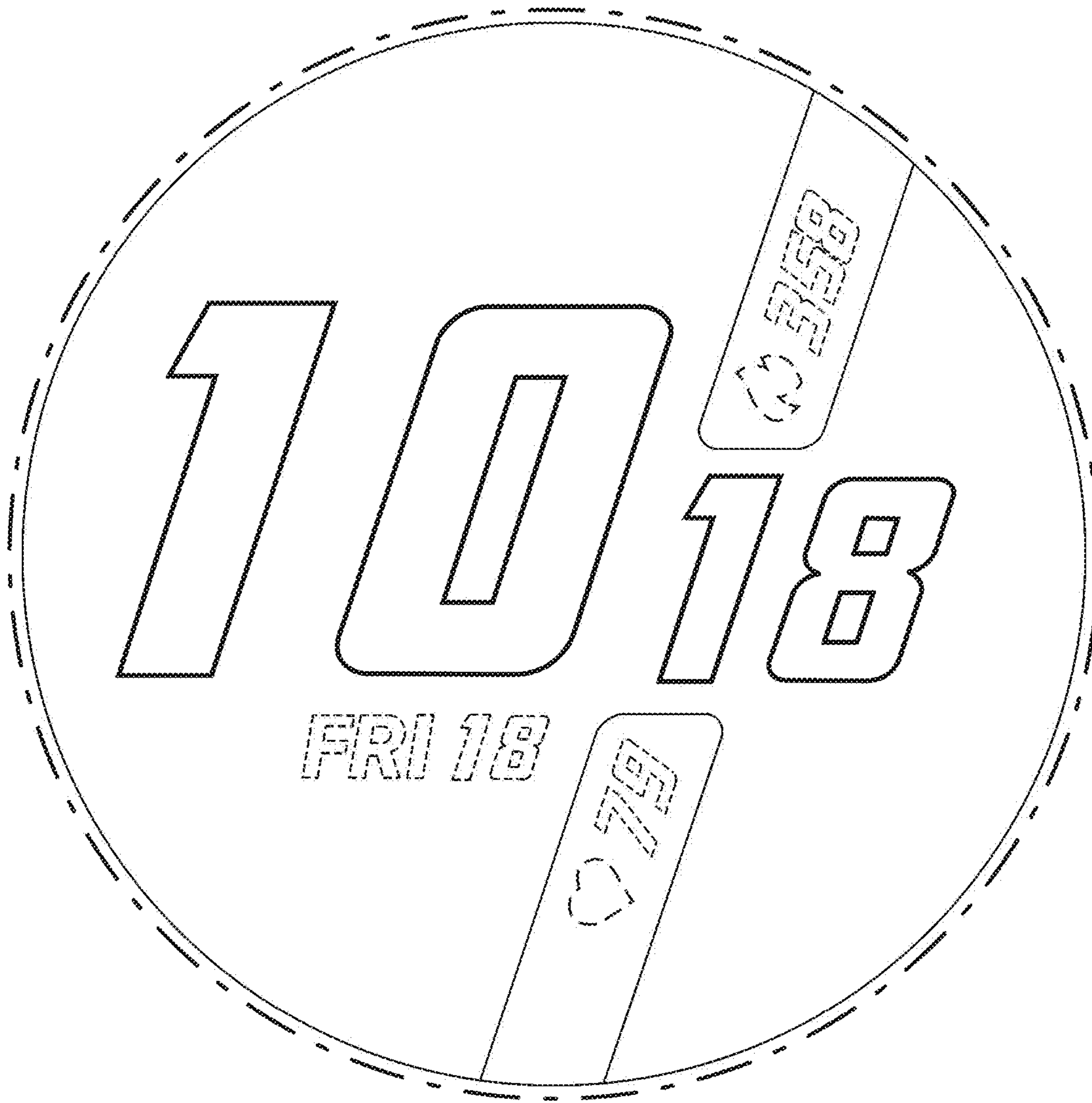


FIG. 4