



US00D930004S

(12) **United States Design Patent**  
**van Hoofft**

(10) **Patent No.:** **US D930,004 S**

(45) **Date of Patent:** **\*\* Sep. 7, 2021**

(54) **DOCUMENT HOLDER AND LAPTOP STAND**

(71) Applicant: **OAHWIP B.V.**, Vught (NL)

(72) Inventor: **Jan Thomas Lambertus van Hoofft**,  
Vught (NL)

(73) Assignee: **OAHWIP B.V.**, Vught (NL)

(\*\*) Term: **15 Years**

(21) Appl. No.: **29/652,140**

(22) Filed: **May 20, 2020**

(30) **Foreign Application Priority Data**

Apr. 17, 2020 (EM) ..... 7817408-00002

(51) **LOC (13) Cl.** ..... **08-07**

(52) **U.S. Cl.**  
USPC ..... **D14/447**

(58) **Field of Classification Search**  
USPC ..... D14/447, 432, 434, 439, 440, 451, 452,  
D14/457, 239, 253; D8/363, 373, 380;  
(Continued)

(56) **References Cited**

**U.S. PATENT DOCUMENTS**

D521,562 S \* 5/2006 Richter ..... D19/91  
D573,598 S \* 7/2008 Chu ..... D14/447  
(Continued)

*Primary Examiner* — Angela J Lee

(74) *Attorney, Agent, or Firm* — Adsero IP

(57) **CLAIM**

The ornamental design for a document holder and laptop stand, as shown and described.

**DESCRIPTION**

FIG. 1 is a front elevation view of a document holder and laptop stand with a tray assembly inclined upward and a support arm pivoted upward showing my new design;

FIG. 2 is a left, front, top perspective view of the document holder and laptop stand of FIG. 1 showing the tray assembly and the support arm fully reclined.

FIG. 3 is a left side elevation view of the document holder and laptop stand of FIG. 1 with the tray assembly inclined upward, a support arm pivoted upward and a receiving tray of the tray assembly folded into contact with a backing of the tray assembly, the right side elevation view being a mirror image thereof;

FIG. 4 is a left side elevation view of the document holder and laptop stand of FIG. 1 with the tray assembly inclined upward, a support arm pivoted upward and the receiving tray of the tray assembly partially unfolded and spaced from the backing of the tray assembly, the right side elevation view being a mirror image thereof;

FIG. 5 is a right, front perspective view of the document holder and laptop stand of FIG. 1 with the tray assembly inclined upward, the support arm pivoted upward and the receiving tray of the tray assembly folded into contact with the backing of the tray assembly, the left, front perspective view being a mirror image thereof;

FIG. 6 is a left, front perspective view of the document holder and laptop stand of FIG. 1 with the tray assembly inclined upward, the support arm pivoted upward and the receiving tray of the tray assembly fully unfolded from the backing of the tray assembly, the right, front perspective view being a mirror image thereof;

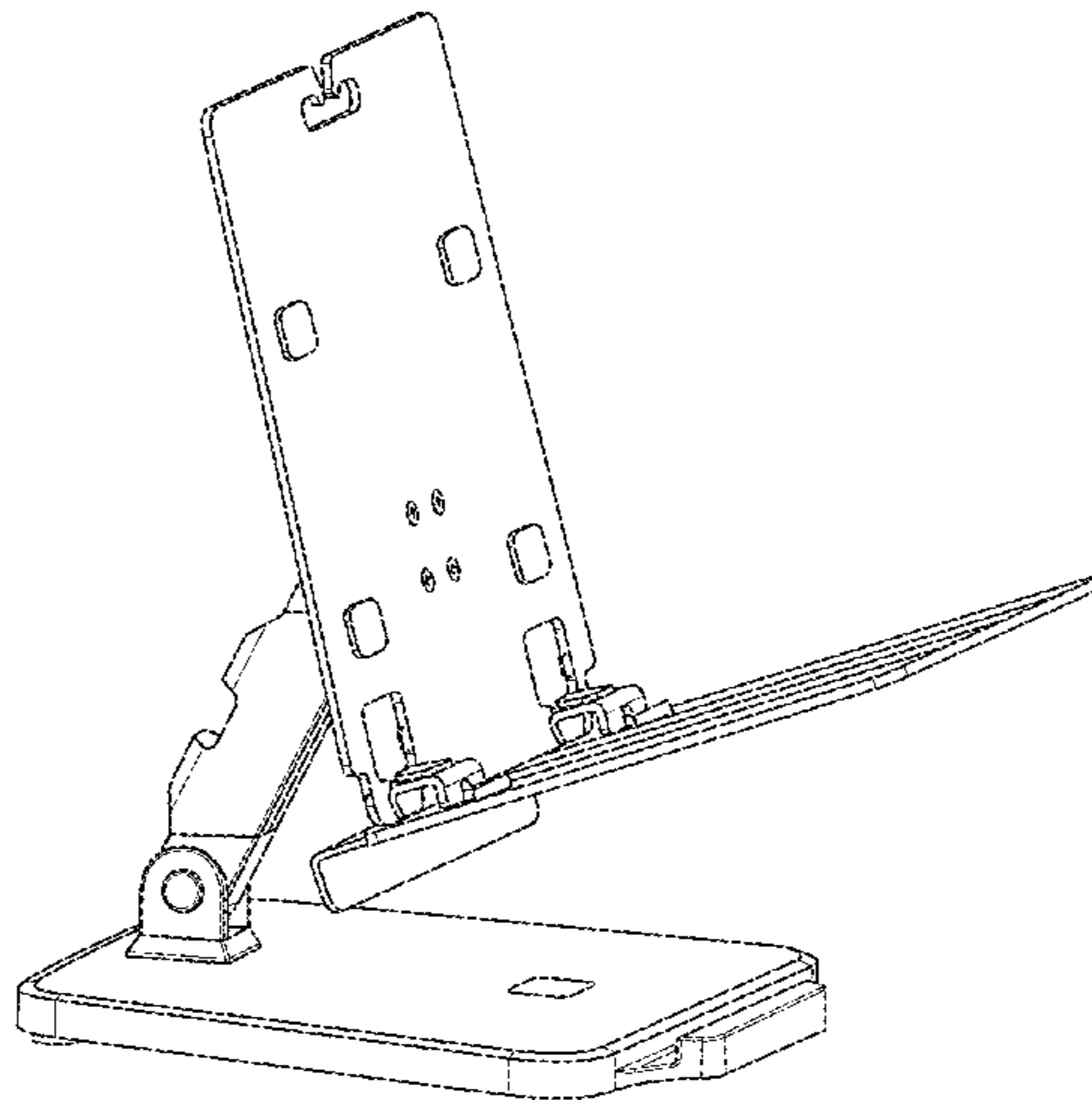
FIG. 7 is a left, front perspective view of the document holder and laptop stand of FIG. 1 with the tray assembly inclined upward, the support arm pivoted upward and the receiving tray of the tray assembly partially unfolded and spaced from the backing of the tray assembly, the right, front perspective view being a mirror image thereof;

FIG. 8 is a front elevation view of the document holder and laptop stand of FIG. 1 with the support arm pivoted upward and the tray assembly partly reclined;

FIG. 9 is a rear elevation view of the document holder and laptop stand of FIG. 1 as depicted in FIG. 1; and,

FIG. 10 is a left, front, top perspective view of the document holder and laptop stand of FIG. 1 with the tray assembly pivoted fully over the support arm, the support arm pivoted

(Continued)



upward and the receiving tray of the tray assembly folded into contact with the backing of the tray assembly.

**1 Claim, 10 Drawing Sheets**

**(58) Field of Classification Search**

USPC ..... D6/406.3, 406.4, 406.5, 406.6; D19/78,  
D19/86, 87, 91  
CPC ..... A47B 21/04; A47B 2097/006; A47B  
2097/005; A47B 2023/049; A45C  
2011/002; A45C 2011/003; F16M  
2200/00; F16M 13/00

See application file for complete search history.

**(56) References Cited**

U.S. PATENT DOCUMENTS

D703,677	S	*	4/2014	Bigazzi	.....	D14/447
D726,733	S	*	4/2015	Specht	.....	D14/447
D760,214	S	*	6/2016	Kemper	.....	D14/253
D829,216	S	*	9/2018	Belitz	.....	D14/447
D829,725	S	*	10/2018	Luo	.....	D14/447
D840,407	S	*	2/2019	Hsu	.....	D14/447
D863,291	S	*	10/2019	Shi	.....	D14/253
D868,073	S	*	11/2019	Smith	.....	D14/447
D903,688	S	*	12/2020	Hong	.....	D14/447
D903,689	S	*	12/2020	Zheng	.....	D14/447
D905,686	S	*	12/2020	Zhang	.....	D14/253

\* cited by examiner

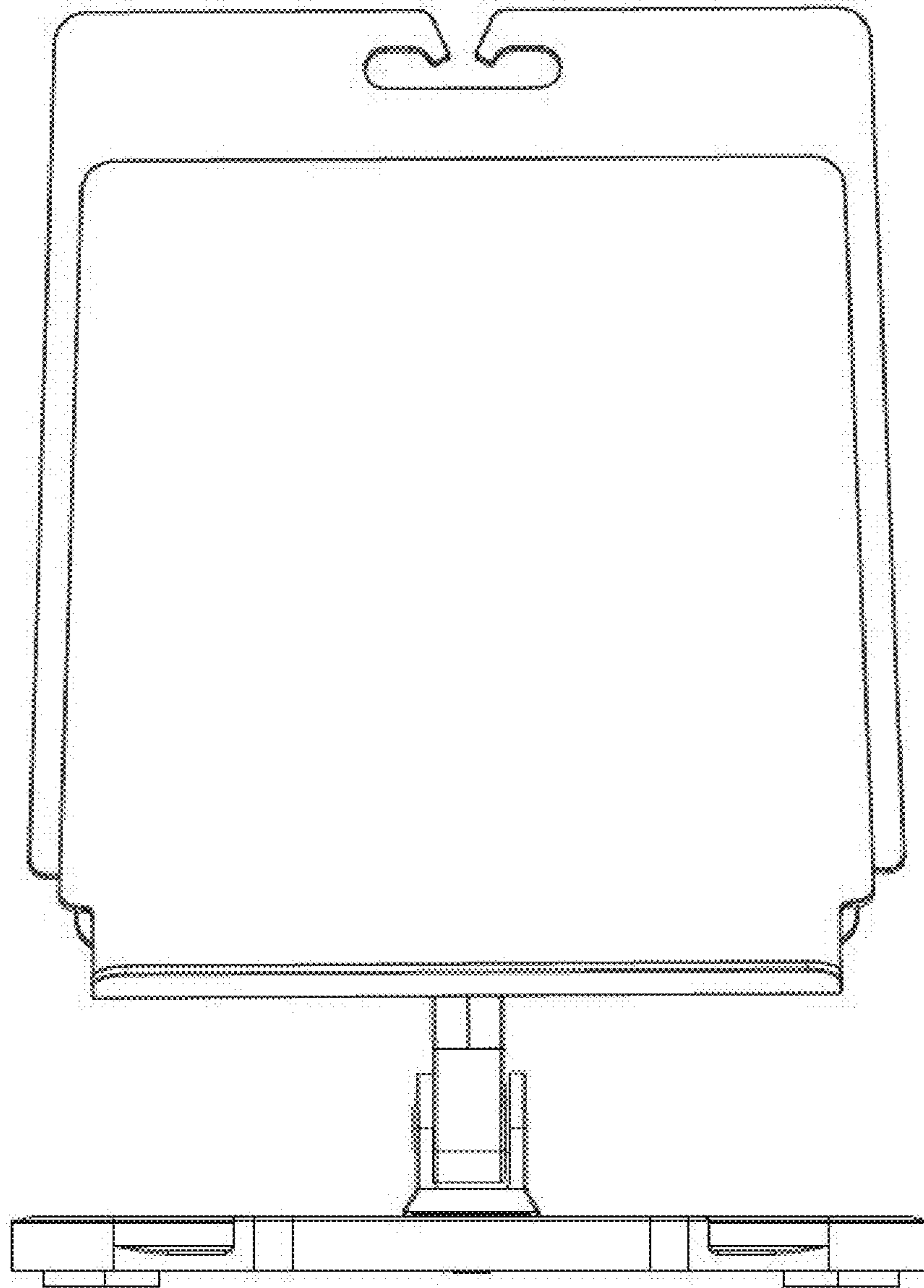


Fig. 1

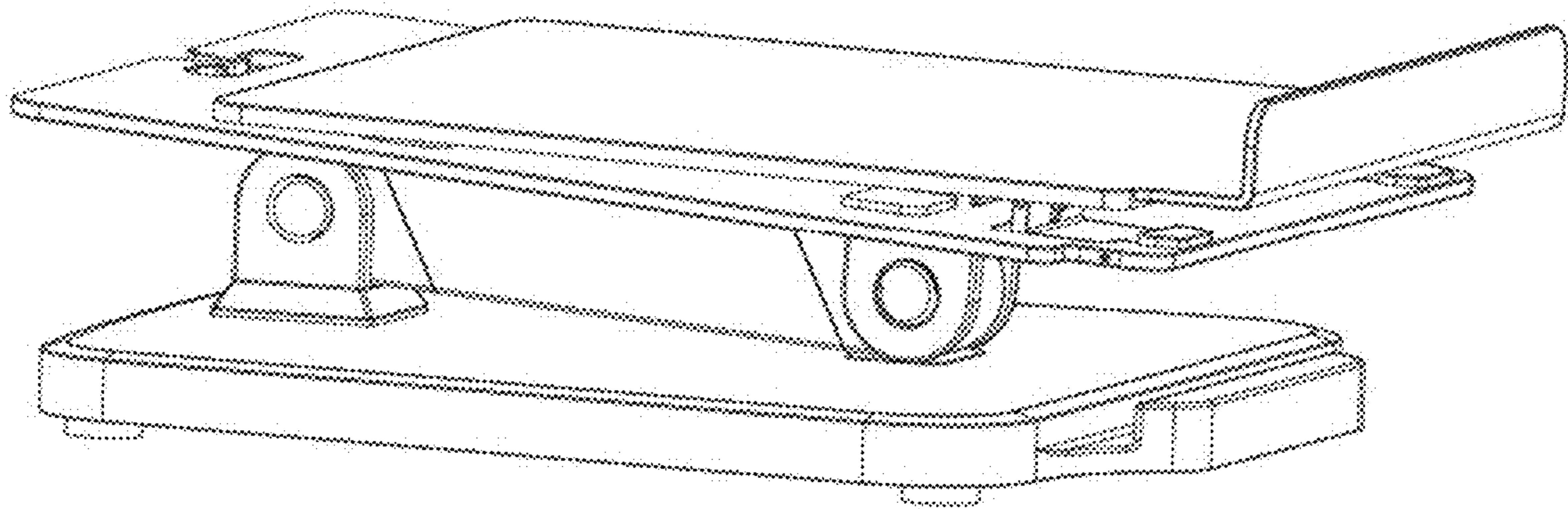


Fig. 2



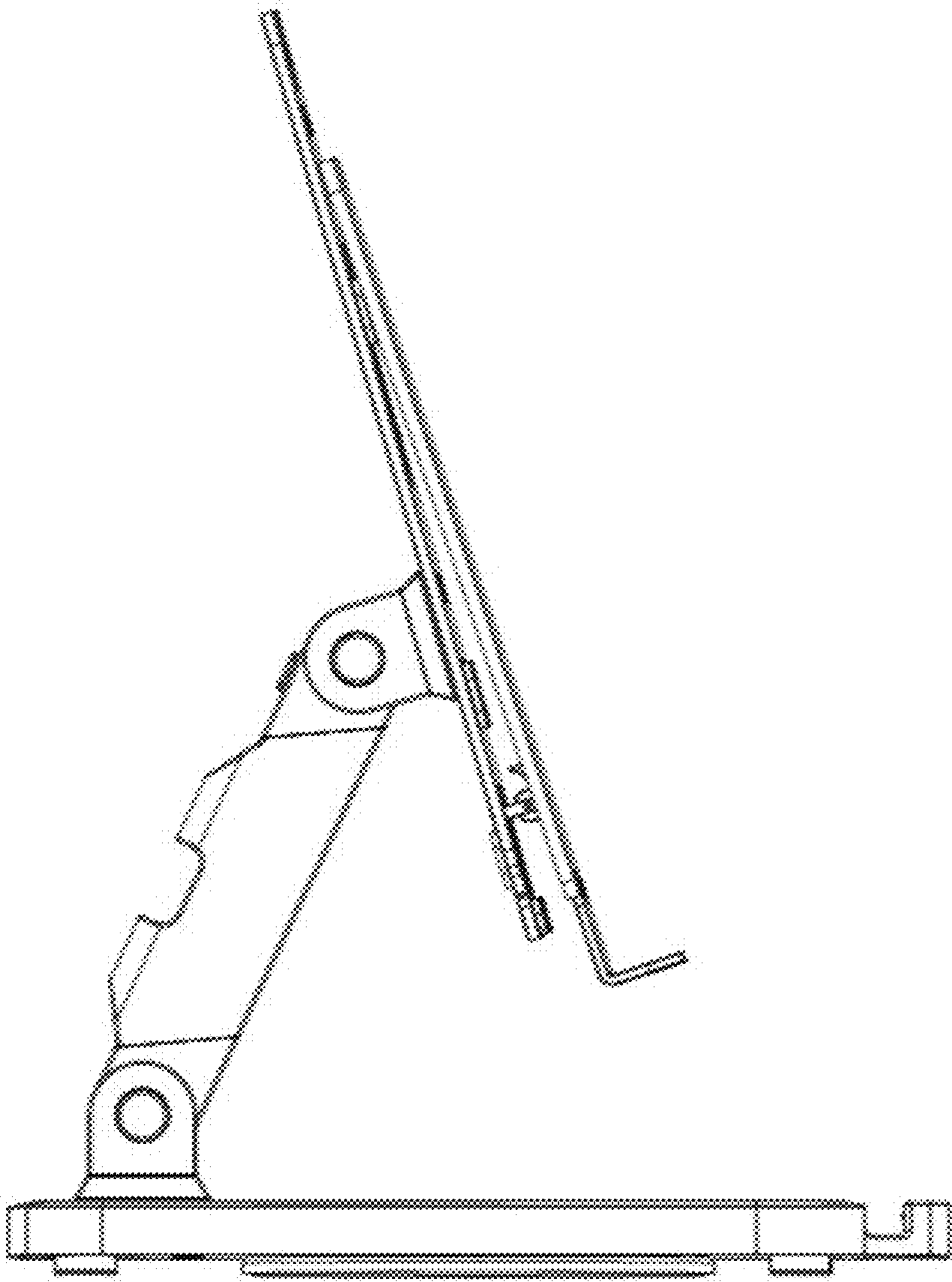


Fig. 3

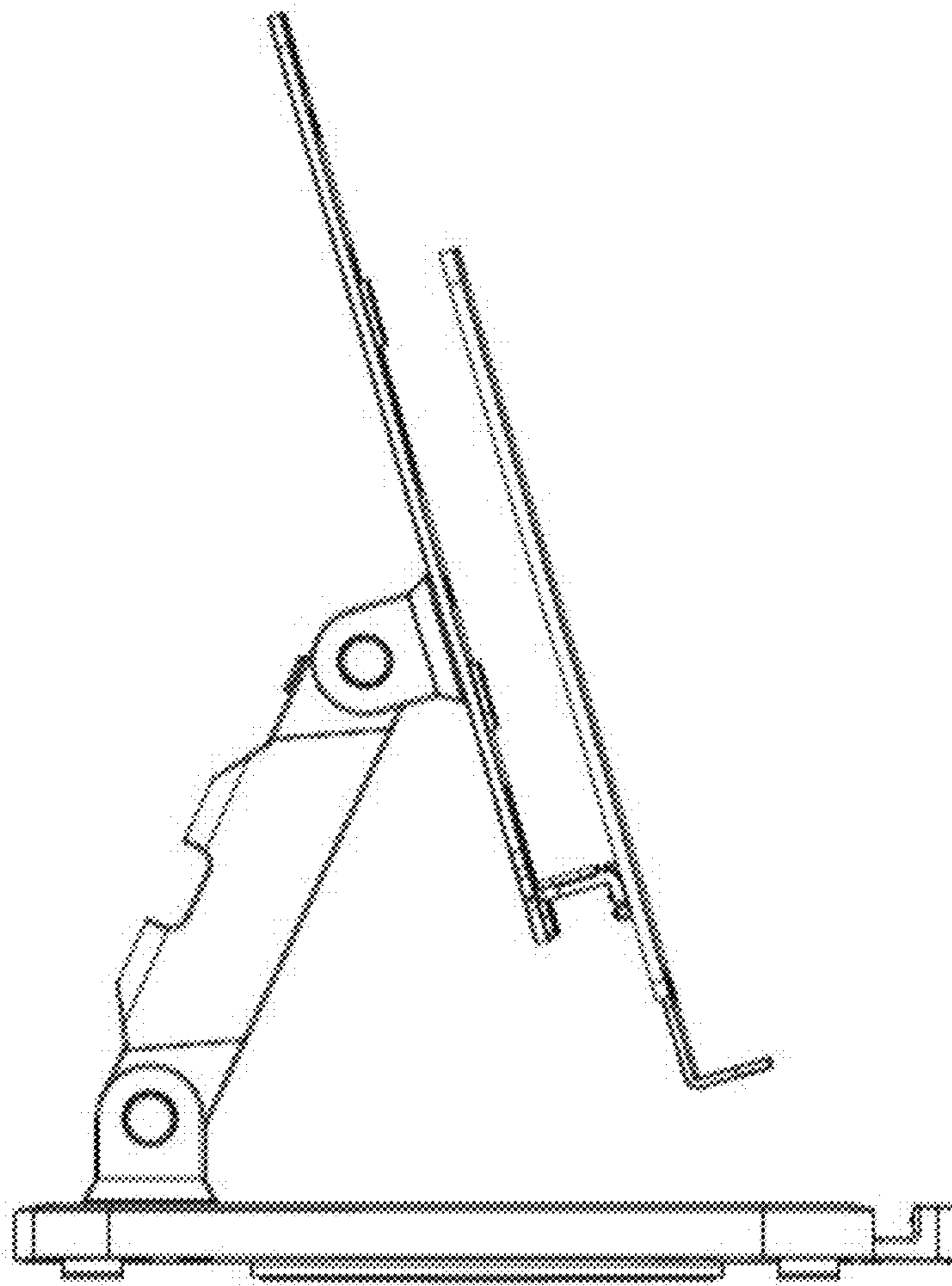


Fig. 4

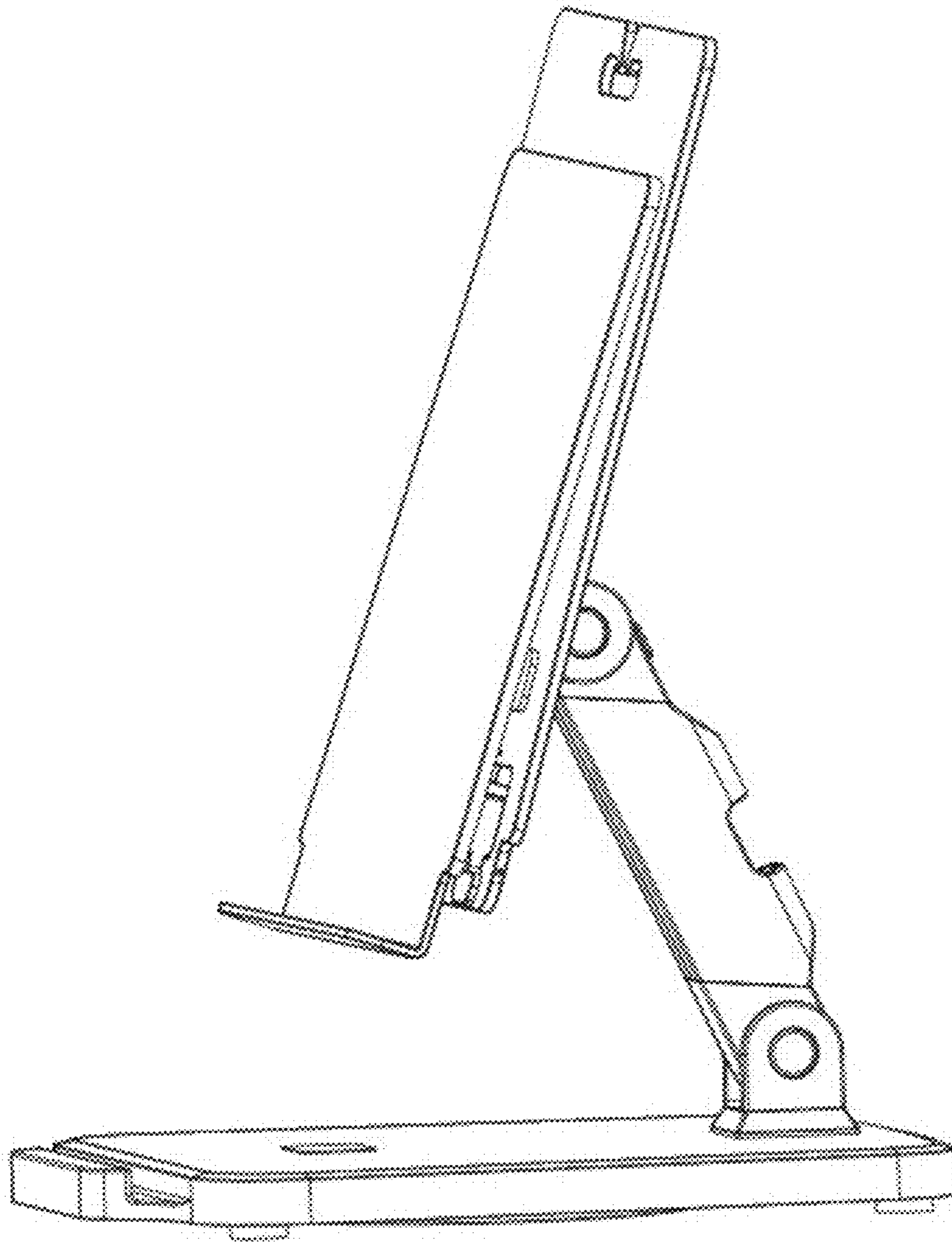


Fig. 5

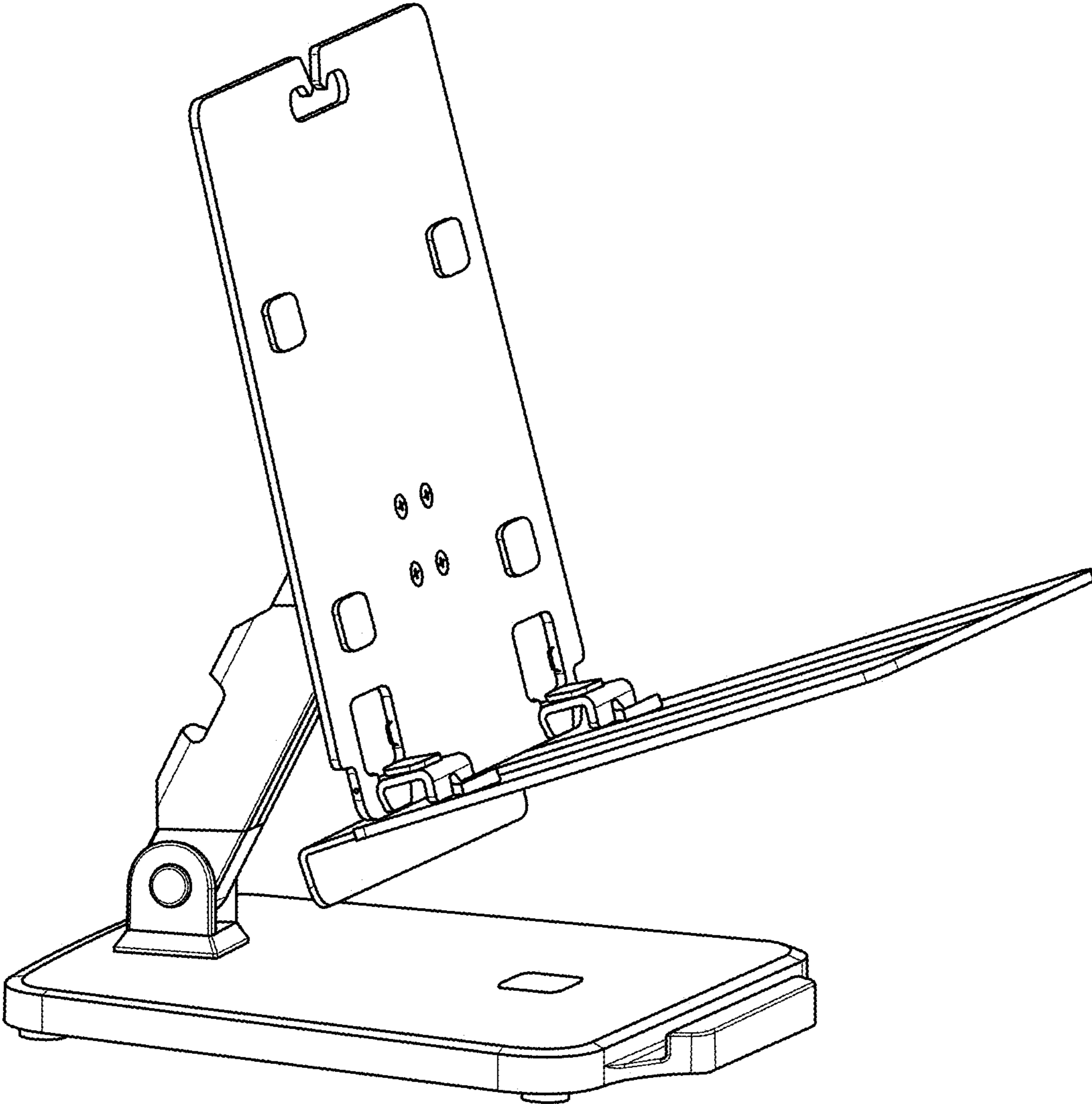


Fig. 6



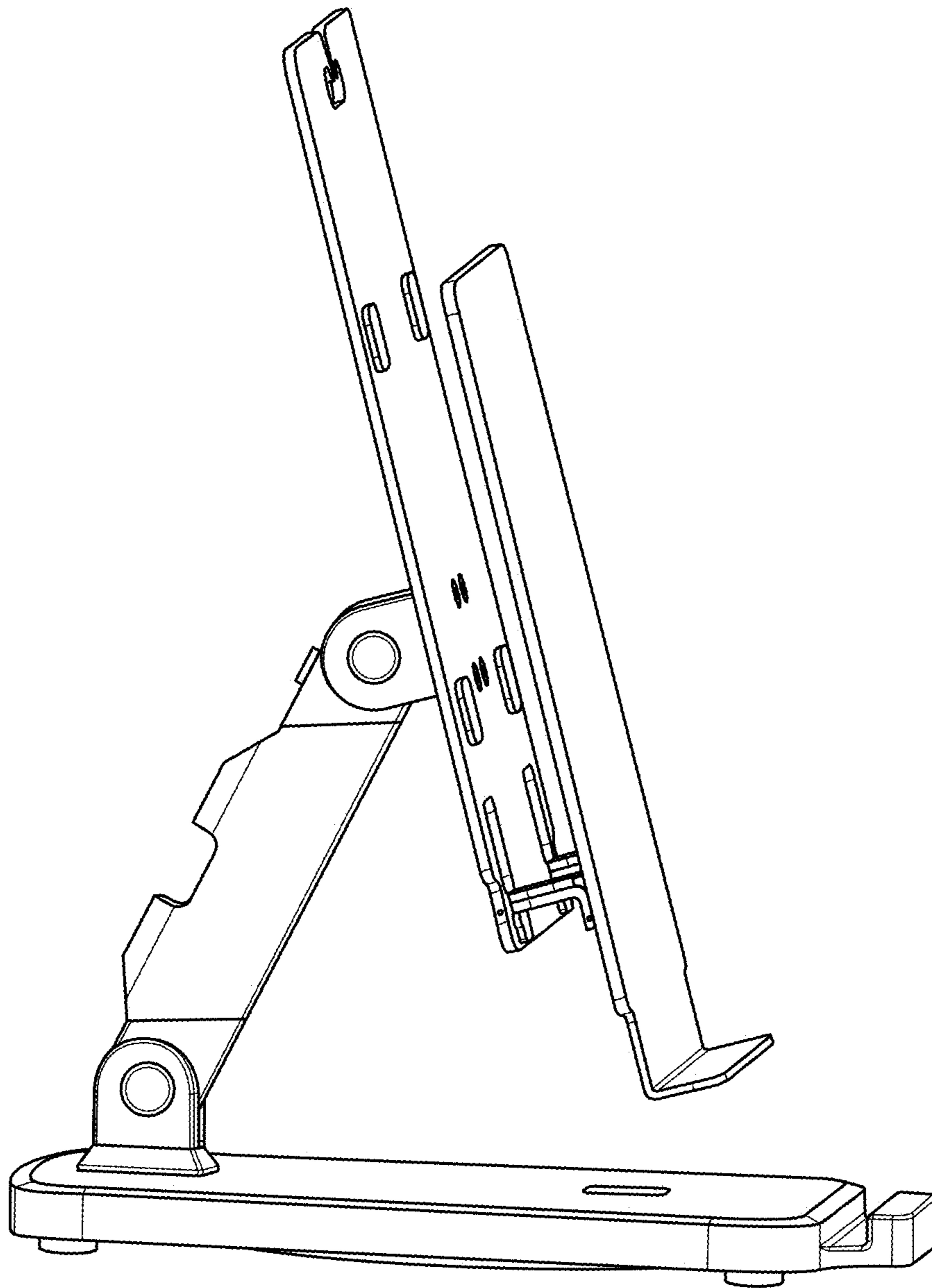


Fig. 7

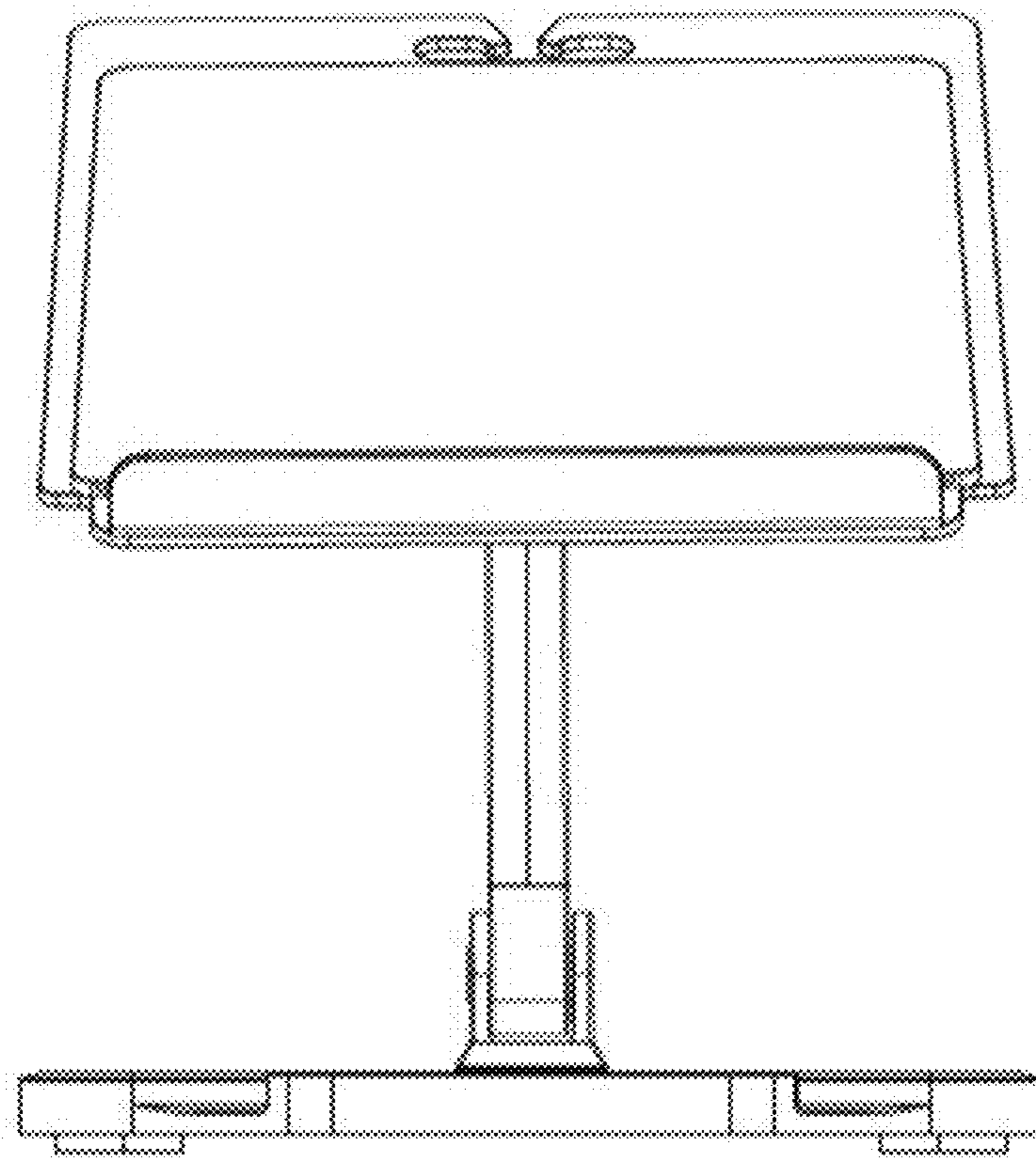


Fig. 8

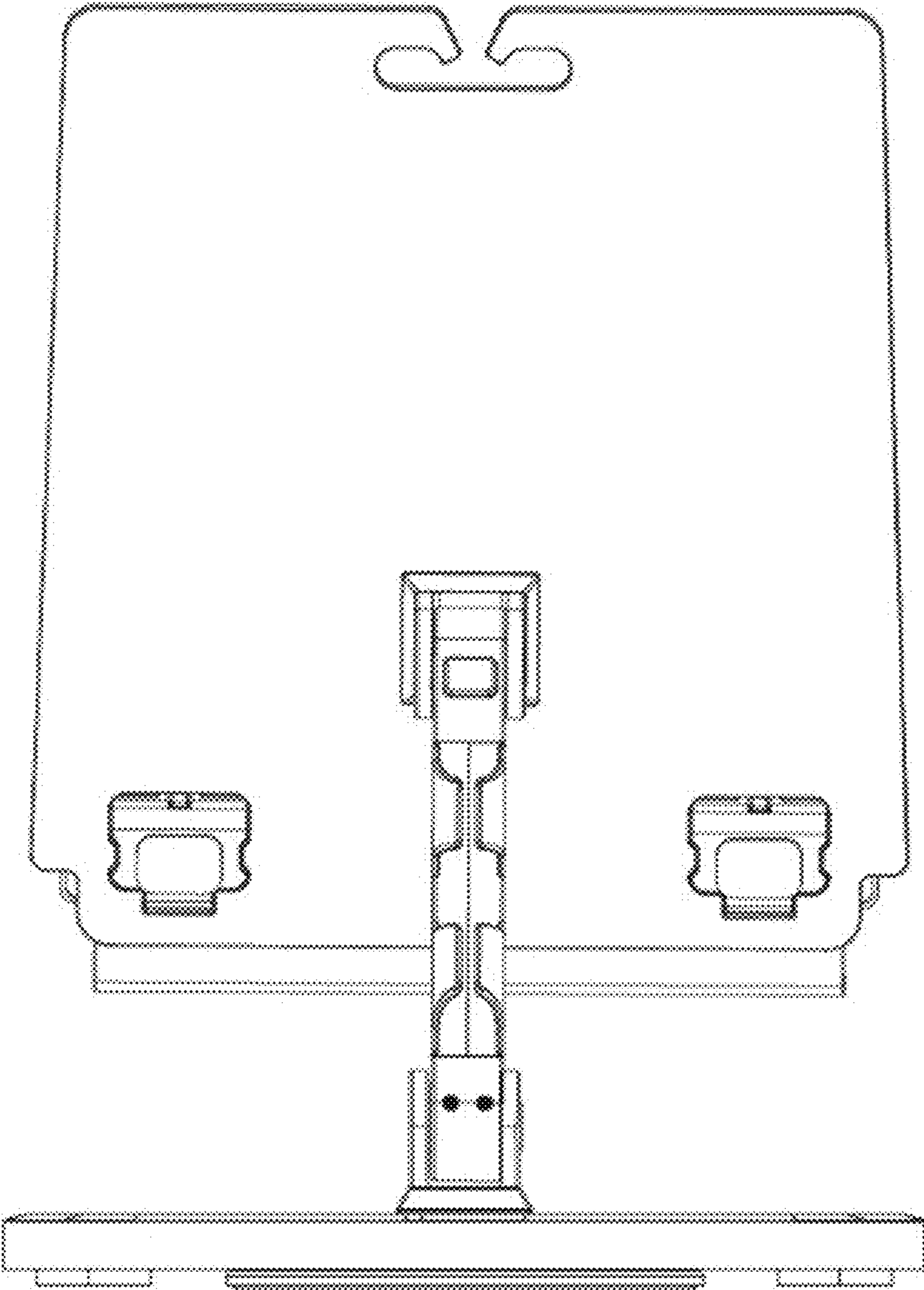


Fig. 9

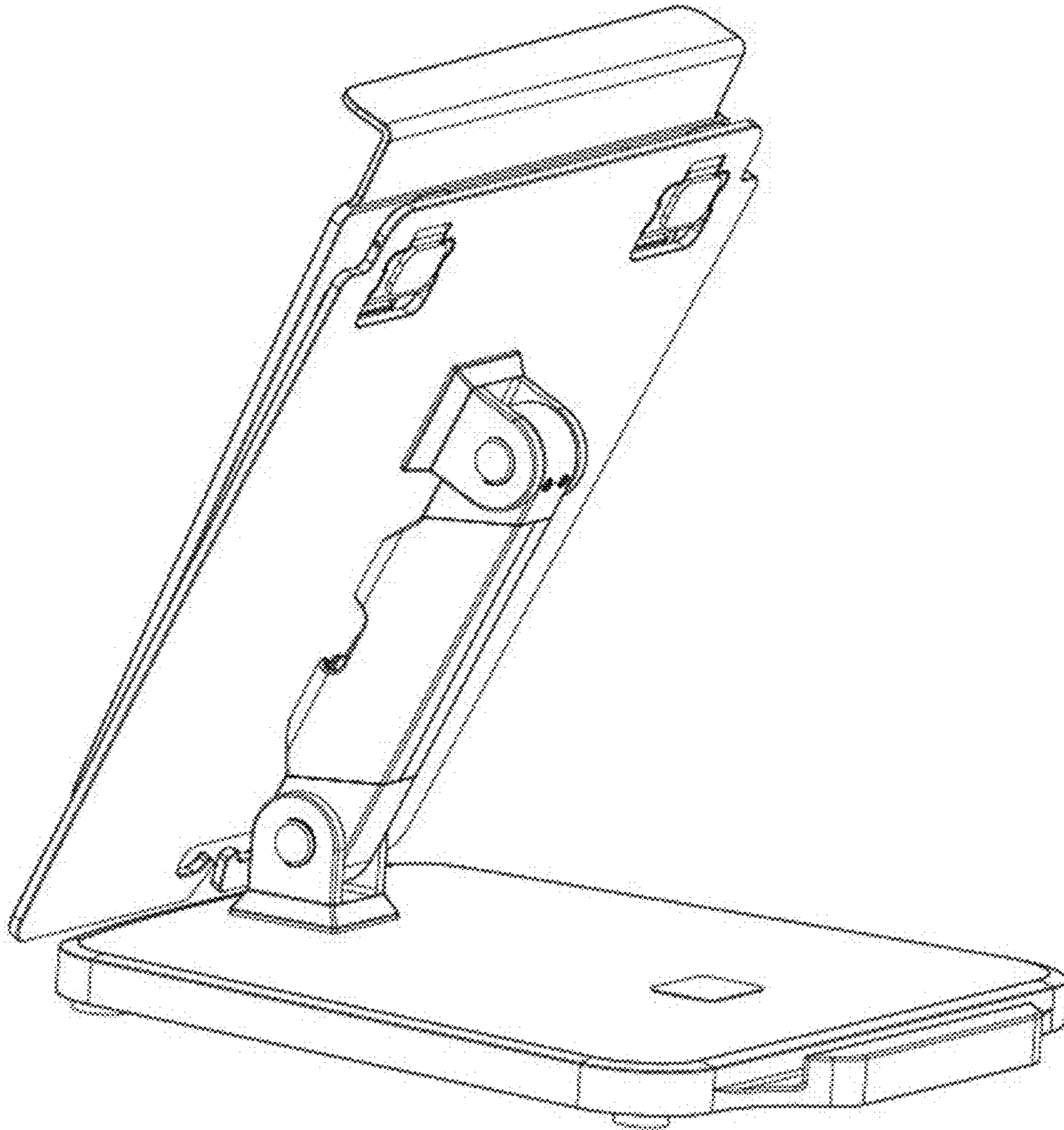


Fig. 10