



US00D929999S

(12) **United States Design Patent** (10) **Patent No.:** **US D929,999 S**
Tarelin et al. (45) **Date of Patent:** **** Sep. 7, 2021**

(54) **LAPTOP DOCKING STATION**
(71) Applicant: **HUMANCENTRIC VENTURES LLC**, Skokie, IL (US)
(72) Inventors: **Alexey Tarelin**, Evanston, IL (US);
Simcha Kanter, Skokie, IL (US);
Justin Hatfield, Chicago, IL (US);
Oluwadurotimi Solola, Chicago, IL (US)
(73) Assignee: **Humancentric Ventures LLC**, Skokie, IL (US)
(**) Term: **15 Years**
(21) Appl. No.: **29/737,733**
(22) Filed: **Jun. 11, 2020**
(51) **LOC (13) Cl.** **14-02**
(52) **U.S. Cl.**
USPC **D14/434**
(58) **Field of Classification Search**
USPC ... D14/434, 432, 433, 435, 435.1, 356, 357, D14/358, 251-253, 217, 299, 496, 169, D14/383, 385; D13/103, 107, 108, 110, D13/123, 133, 135, 179, 184; D21/324, D21/332, 333
CPC . G06F 1/16; G06F 1/1632; G06F 1/26; G06F 1/266; G06F 13/00; G06F 13/38; G06F 13/382; G06F 13/385; G06F 13/387; G06F 3/065; G06F 9/541; G06F 2213/3814; G06F 2213/40; G06F 2213/4004
See application file for complete search history.

D610,601 S * 2/2010 Melder D16/242
D624,530 S * 9/2010 Hoggarth D14/224
D634,303 S * 3/2011 Beedham D14/217
D638,831 S * 5/2011 Paradise D14/253
D640,699 S * 6/2011 McParland D14/434
D641,367 S * 7/2011 Morabito D14/434
D660,298 S * 5/2012 Vroom D14/434
D660,299 S * 5/2012 Vroom D14/434
D660,300 S * 5/2012 Vroom D14/434
D660,301 S * 5/2012 Vroom D14/434
D660,302 S * 5/2012 Vroom D14/434

(Continued)

FOREIGN PATENT DOCUMENTS

CN 304722856 * 7/2018

OTHER PUBLICATIONS

AirPods_iWatch and iPhone wireless charger 3in1 hoco CW21. (Online Video) 1 pg. Posted May 17, 2019 [Retrieved May 5, 2021] wisdomhttps://www.youtube.com/watch?v=RrNWUZKwqWE.*

Primary Examiner — Marie D. Fast Horse
(74) *Attorney, Agent, or Firm* — Johnson Legal PLLC

(57) **CLAIM**

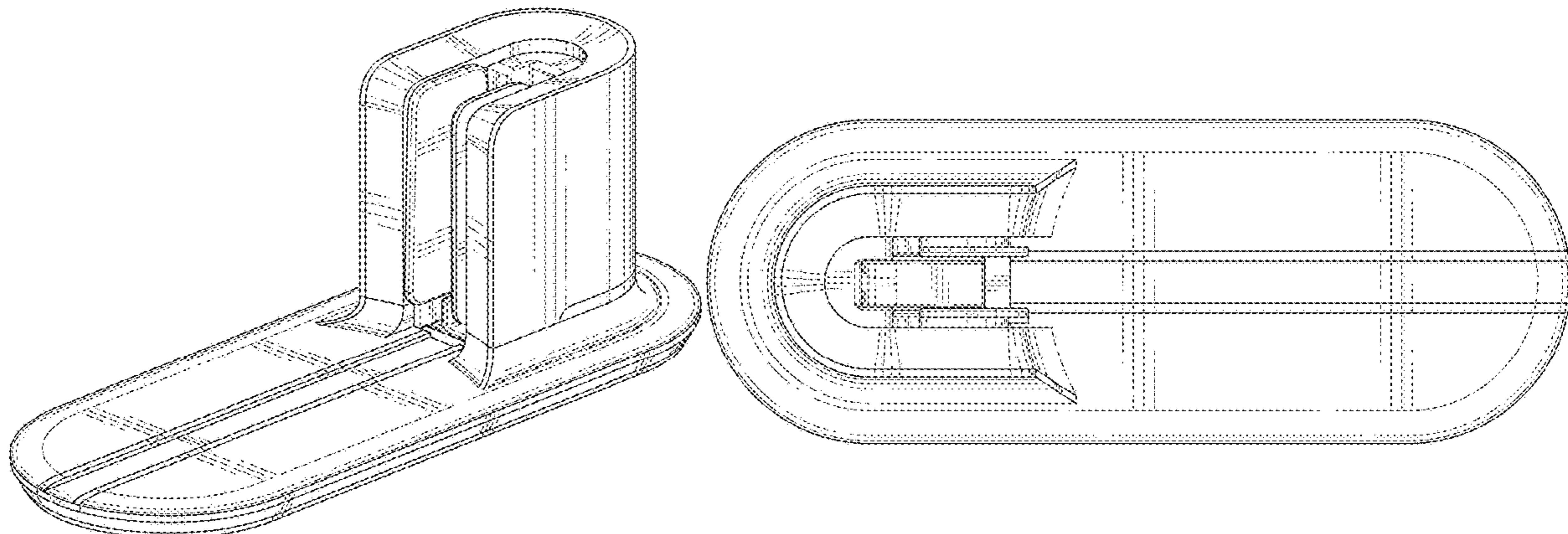
The ornamental design for a laptop docking station, as shown and described.

DESCRIPTION

FIG. 1 shows a front perspective view of a laptop docking station showing our new design.
FIG. 2 is a front view thereof.
FIG. 3 is a rear view thereof.
FIG. 4 is a right side view thereof.
FIG. 5 is a left side view thereof.
FIG. 6 is a top view thereof; and,
FIG. 7 is a bottom view thereof.
The broken lines in the drawings depict portions of the laptop docking station that form no part of the claimed design.

1 Claim, 7 Drawing Sheets

(56) **References Cited**
U.S. PATENT DOCUMENTS
D204,881 S * 5/1966 Cook D13/108
D520,014 S * 5/2006 Harris D14/434
D540,328 S * 4/2007 Hussaini D14/434
D576,999 S * 9/2008 Tofflinger D14/154



(56)

References Cited

U.S. PATENT DOCUMENTS

D660,303 S *	5/2012	Vroom	D14/434	D826,851 S *	8/2018	Wang	D13/108
D660,304 S *	5/2012	Vroom	D14/434	D827,568 S *	9/2018	Turksu	D13/108
D669,476 S *	10/2012	Vroom	D14/434	D828,361 S *	9/2018	Turksu	D14/447
D675,155 S *	1/2013	Smith	D13/108	D852,134 S *	6/2019	Mei	D13/108
D677,830 S *	3/2013	Daniels	D26/108	D852,135 S *	6/2019	Mei	D13/108
D681,040 S *	4/2013	Rossiter	D14/434	D857,626 S *	8/2019	Zhang	D13/108
D683,733 S *	6/2013	Mendoza	D14/434	D861,694 S *	10/2019	Wang	D14/433
D702,687 S *	4/2014	Chu	D14/434	D871,331 S *	12/2019	Langhammer	D13/108
D702,688 S *	4/2014	Chu	D14/434	D879,035 S *	3/2020	Li	D13/108
D712,350 S *	9/2014	Smith	D13/108	D886,056 S *	6/2020	Zhang	D13/108
D726,187 S *	4/2015	Young	D14/434	D887,413 S *	6/2020	Lou	D14/434
D743,395 S *	11/2015	Chen	D14/385	D889,403 S *	7/2020	Li	D13/108
D751,561 S *	3/2016	Guthrie	D14/434	D893,481 S *	8/2020	Roberts	D14/385
D757,013 S *	5/2016	Sale	D14/434	D894,907 S *	9/2020	Deng	D14/434
D776,659 S *	1/2017	Hou	D14/433	D904,978 S *	12/2020	Liao	D13/108
D803,833 S *	11/2017	He	D14/385	D905,042 S *	12/2020	Lim	D14/253
D808,392 S *	1/2018	Bo	D14/433	D911,278 S *	2/2021	Shang	D13/108
				D911,279 S *	2/2021	Hu	D13/108
				D916,088 S *	4/2021	Roberts	D14/385

* cited by examiner

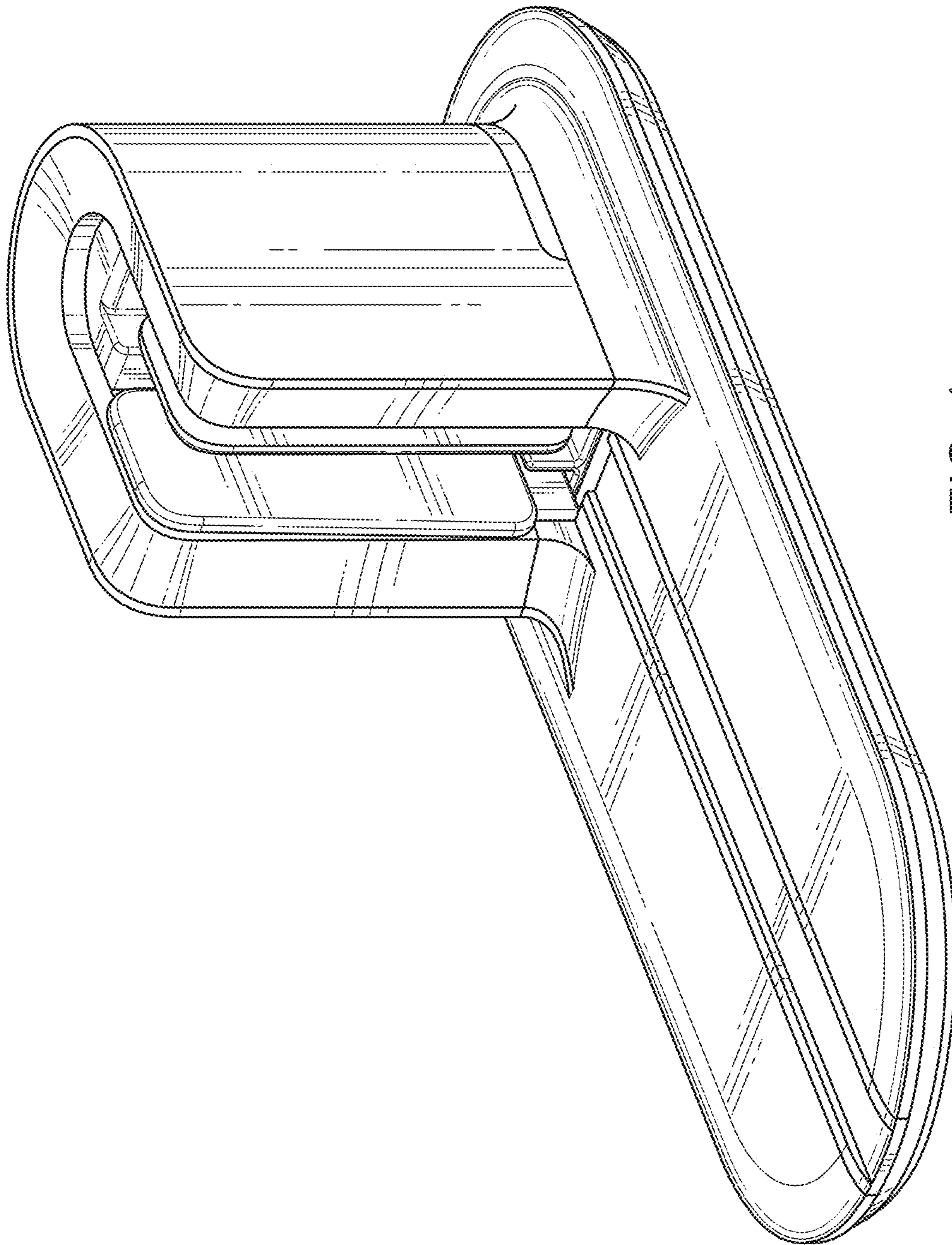


FIG. 1

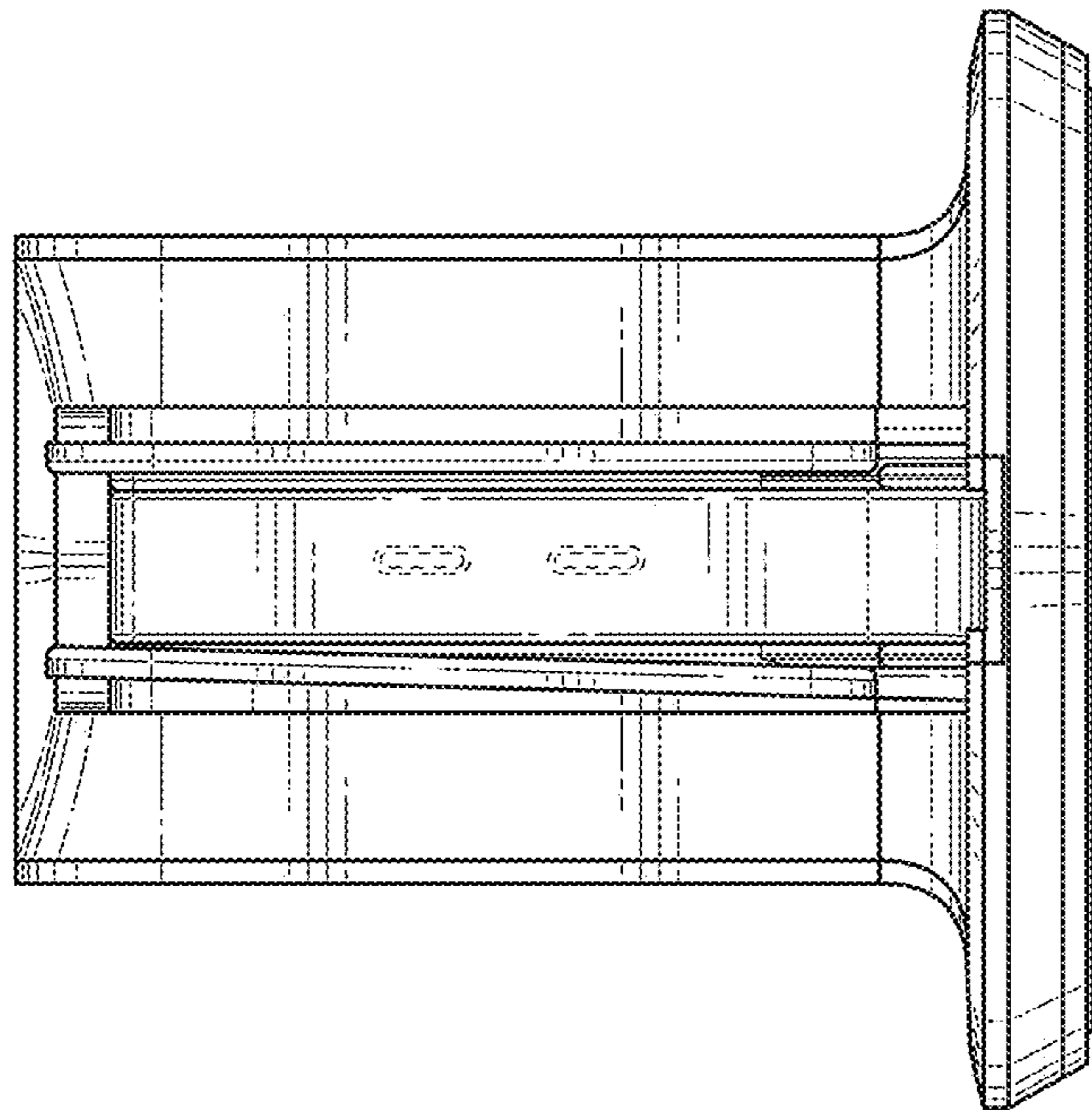


FIG. 2

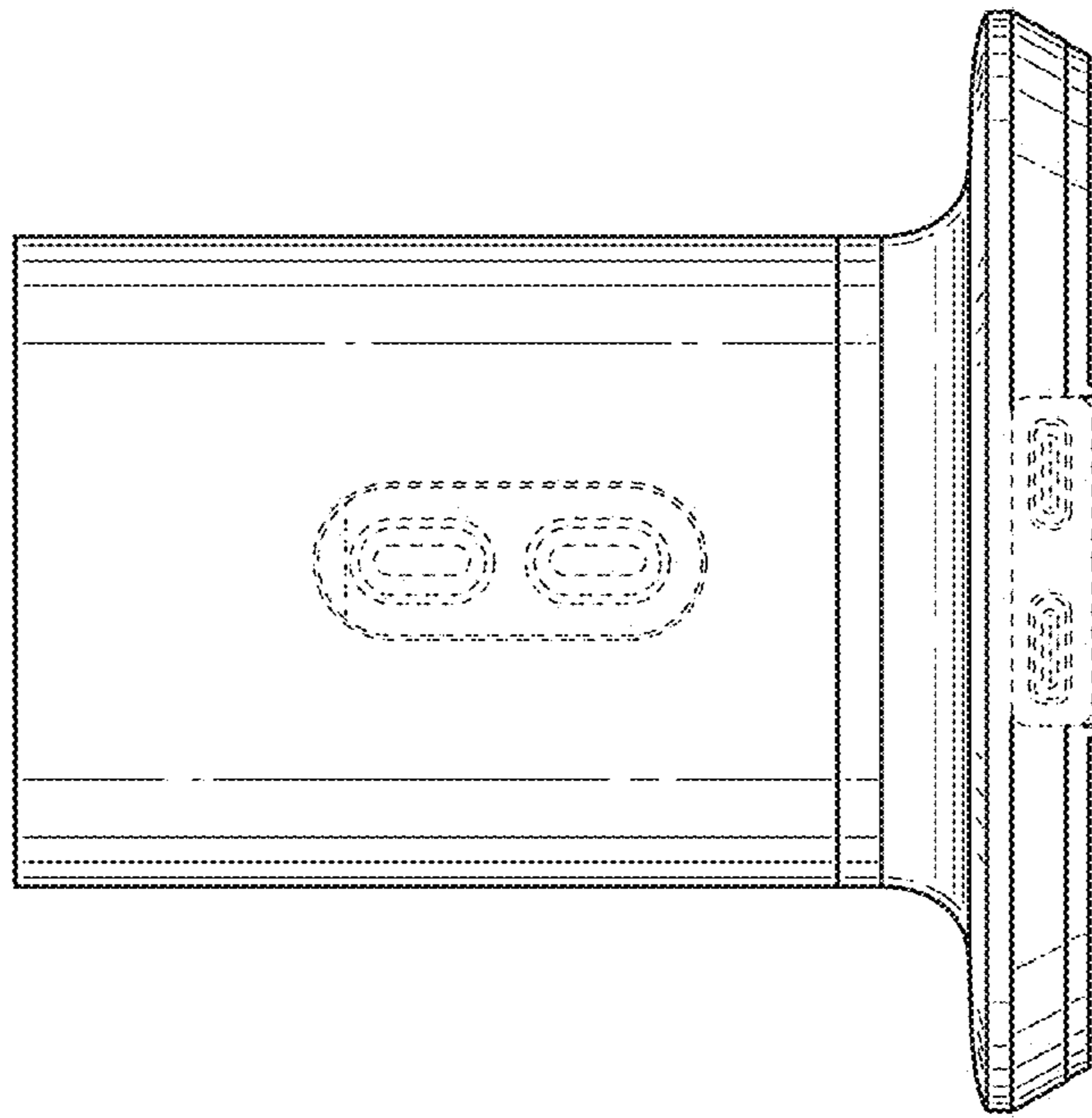


FIG. 3

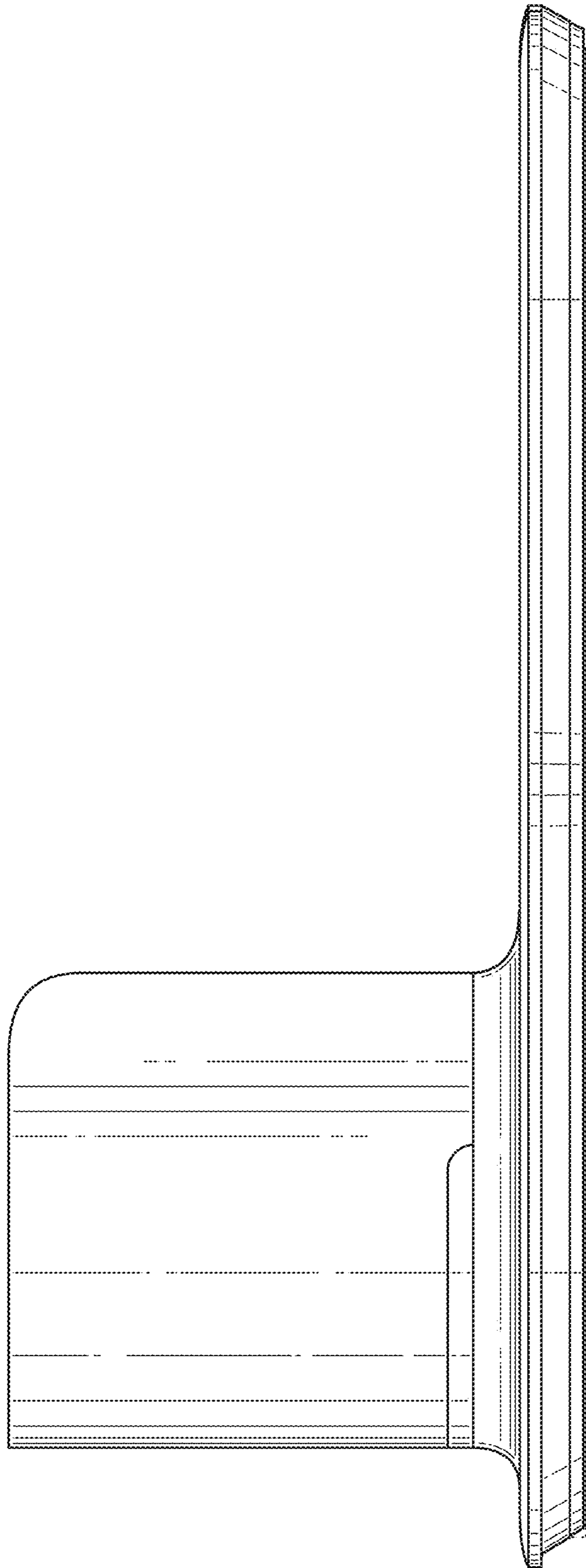


FIG. 4

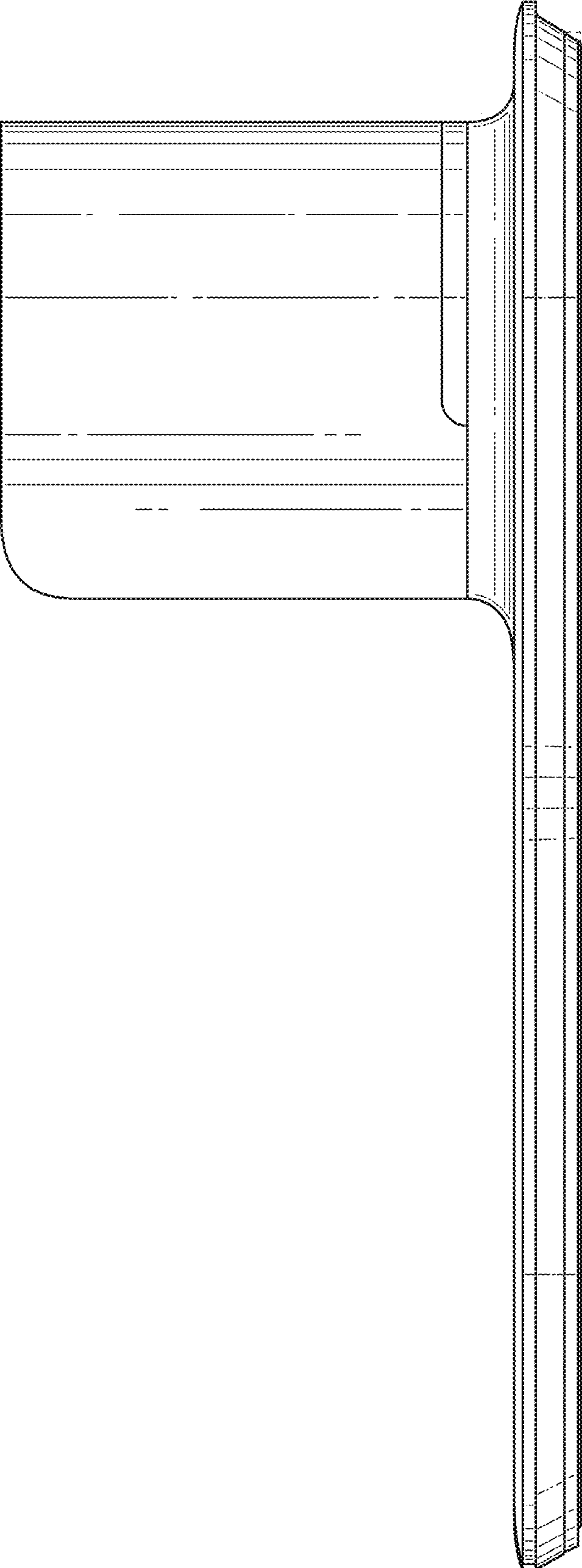


FIG. 5

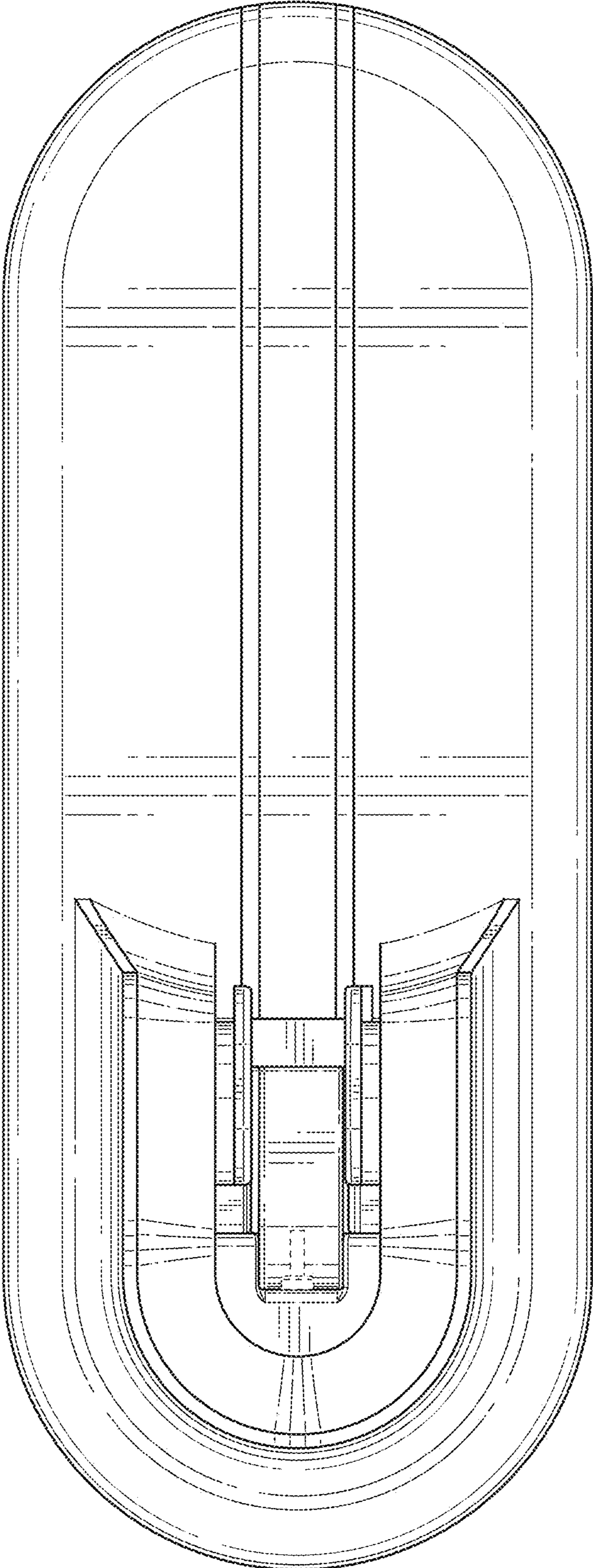


FIG. 6

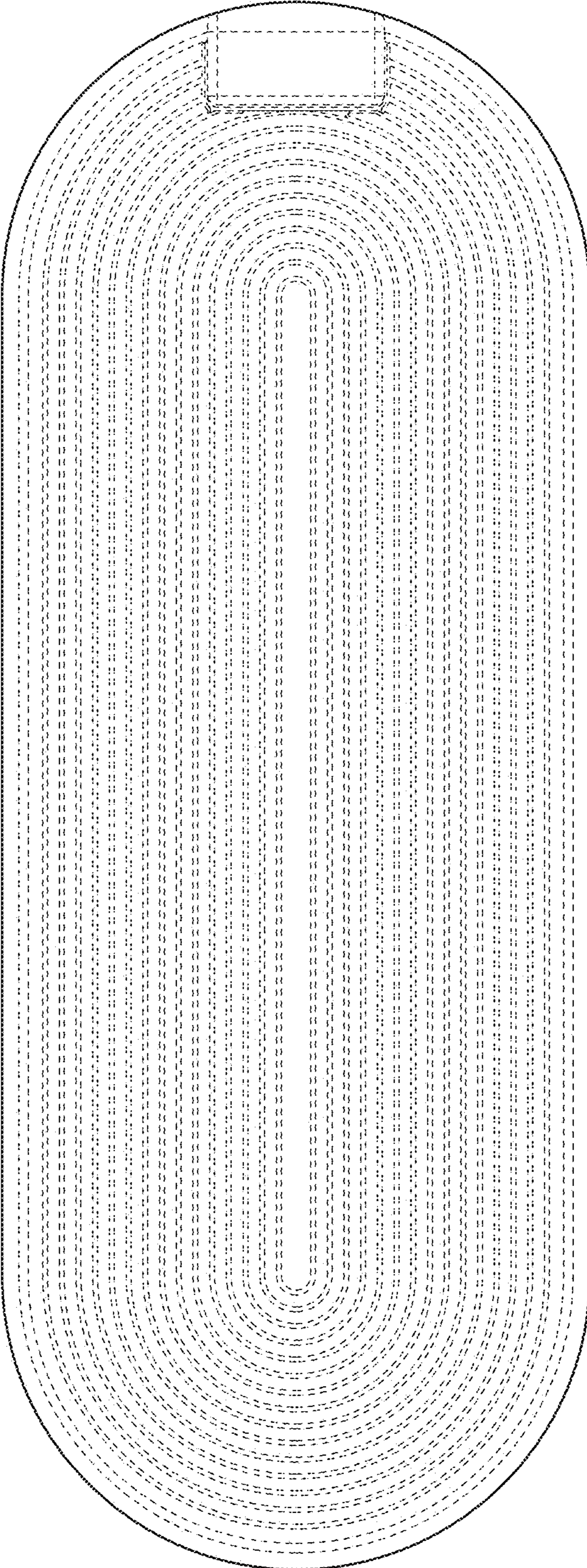


FIG. 7