

US00D929998S

(12) **United States Design Patent** (10) **Patent No.:** **US D929,998 S**
Liao (45) **Date of Patent:** **** Sep. 7, 2021**

(54) **MULTIFUNCTIONAL ADAPTOR**
(71) Applicant: **GUANGDONG GOPOD GROUP CO., LTD.**, Guangdong (CN)
(72) Inventor: **Zhuo-Wen Liao**, Guangdong (CN)
(73) Assignee: **GUANGDONG GOPOD GROUP CO., LTD.**, Guangdong (CN)

D880,481 S *	4/2020	Liao	D14/433
D881,890 S *	4/2020	Wen	D14/433
D889,469 S *	7/2020	Zhang	D14/433
D892,801 S *	8/2020	Liu	D14/434
D900,107 S *	10/2020	Wu	D14/433
D900,824 S *	11/2020	Wu	D14/433
D905,063 S *	12/2020	Liu	D14/434
D912,056 S *	3/2021	Liao	D14/433
D916,094 S *	4/2021	Liao	D14/433
D918,918 S *	5/2021	Wu	D14/433
D923,626 S *	6/2021	Zhang	D14/433

(**) Term: **15 Years**

* cited by examiner

(21) Appl. No.: **29/702,009**

Primary Examiner — Austin Murphy

(22) Filed: **Aug. 16, 2019**

(74) *Attorney, Agent, or Firm* — Chun-Ming Shih; HDLS IPR Services

(30) **Foreign Application Priority Data**

May 8, 2019 (CN) 201930221476.1

(51) **LOC (13) Cl.** **14-02**

(52) **U.S. Cl.**
USPC **D14/433**

(58) **Field of Classification Search**
USPC D14/240, 242, 356, 358, 363, 365, 367, D14/370, 432-437, 439, 498, 125, 366, D14/168, 496; D13/147, 164, 123, 133, D13/146, 110, 199, 103, 162, 159, 160, D13/184; 361/683, 684, 686, 724, 735, 361/737, 752; D18/40
CPC H01R 25/006; H01R 27/02; H01R 31/005; G06F 13/4022; G06F 13/382; G06F 1/1632; G06F 1/1684; G06F 1/20; G06F 1/1607
See application file for complete search history.

(56) **References Cited**

U.S. PATENT DOCUMENTS

D847,139 S *	4/2019	Wang	D14/433
D854,020 S *	7/2019	Liao	D14/434

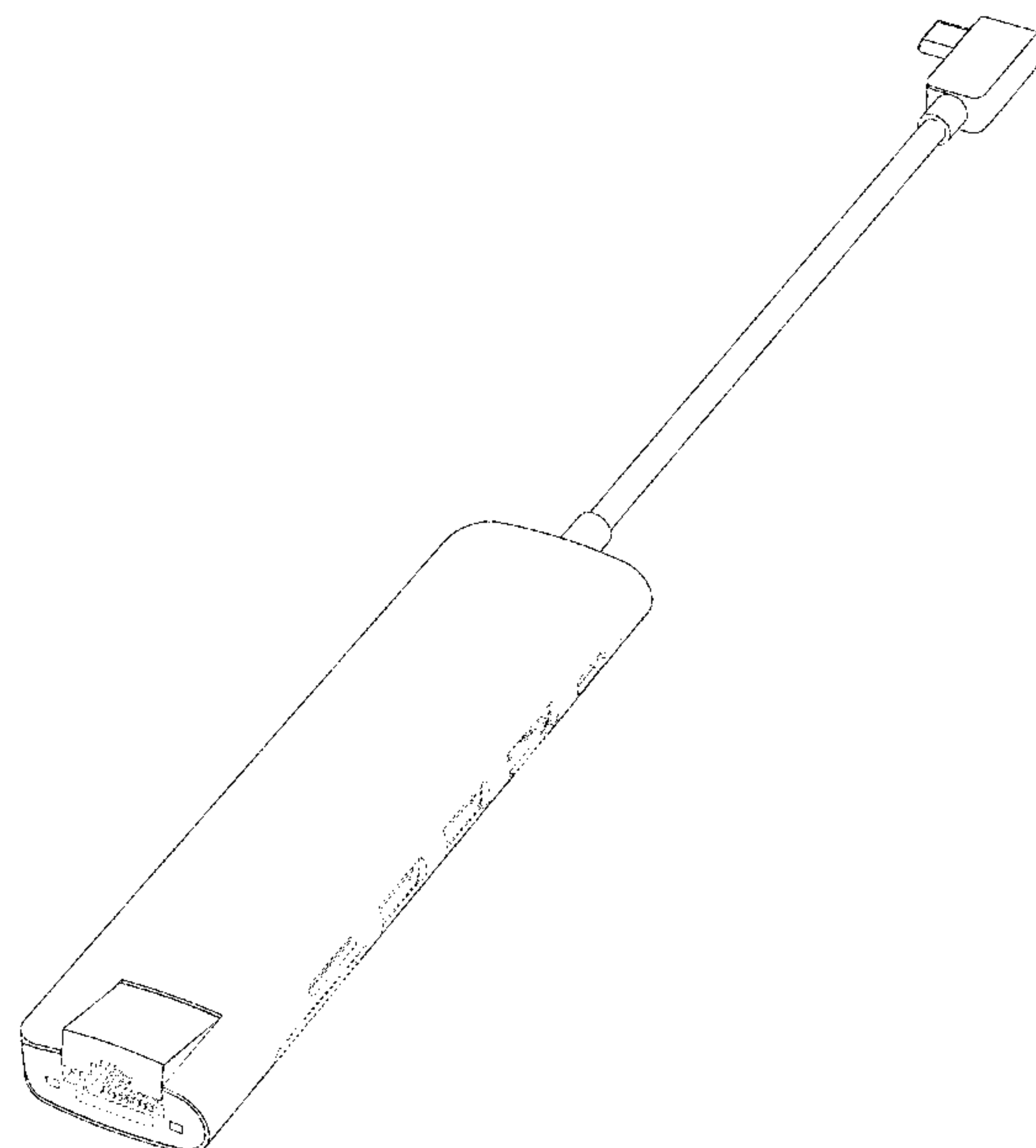
(57) **CLAIM**

The ornamental design for a multifunctional adaptor, as shown and described.

DESCRIPTION

FIG. 1 is a bottom right perspective view of multifunctional adaptor;
FIG. 2 is a top left perspective view thereof;
FIG. 3 is a front perspective view thereof;
FIG. 4 is a rear perspective view thereof;
FIG. 5 is a left side elevational view thereof;
FIG. 6 is a right side elevational view thereof;
FIG. 7 is a top plan view thereof;
FIG. 8 is a bottom plan view thereof; and,
FIG. 9 is a view of operative state thereof.
The broken lines in the drawing depict environmental subject matter only and form no part of the claimed design.

1 Claim, 8 Drawing Sheets



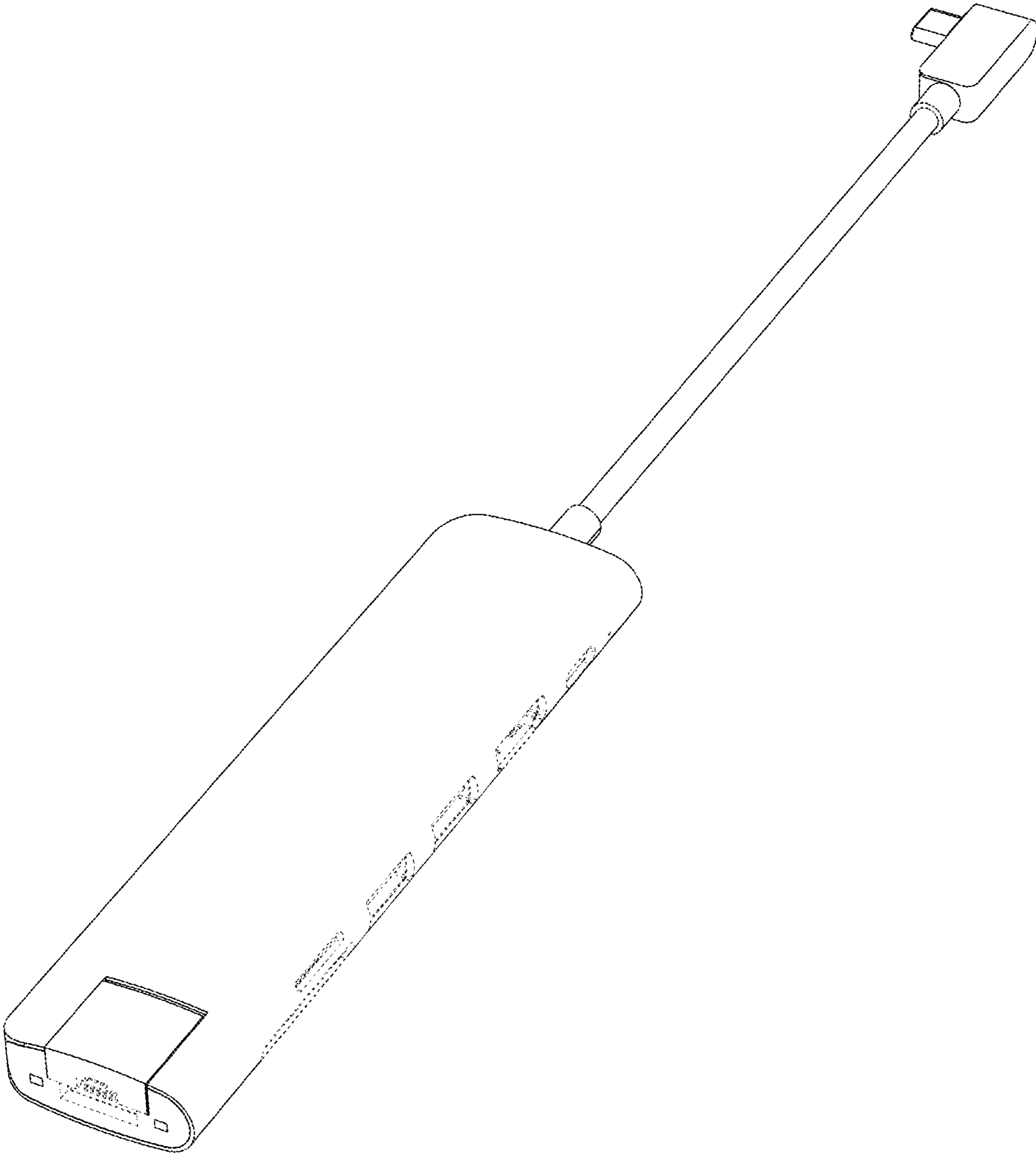


FIG. 1

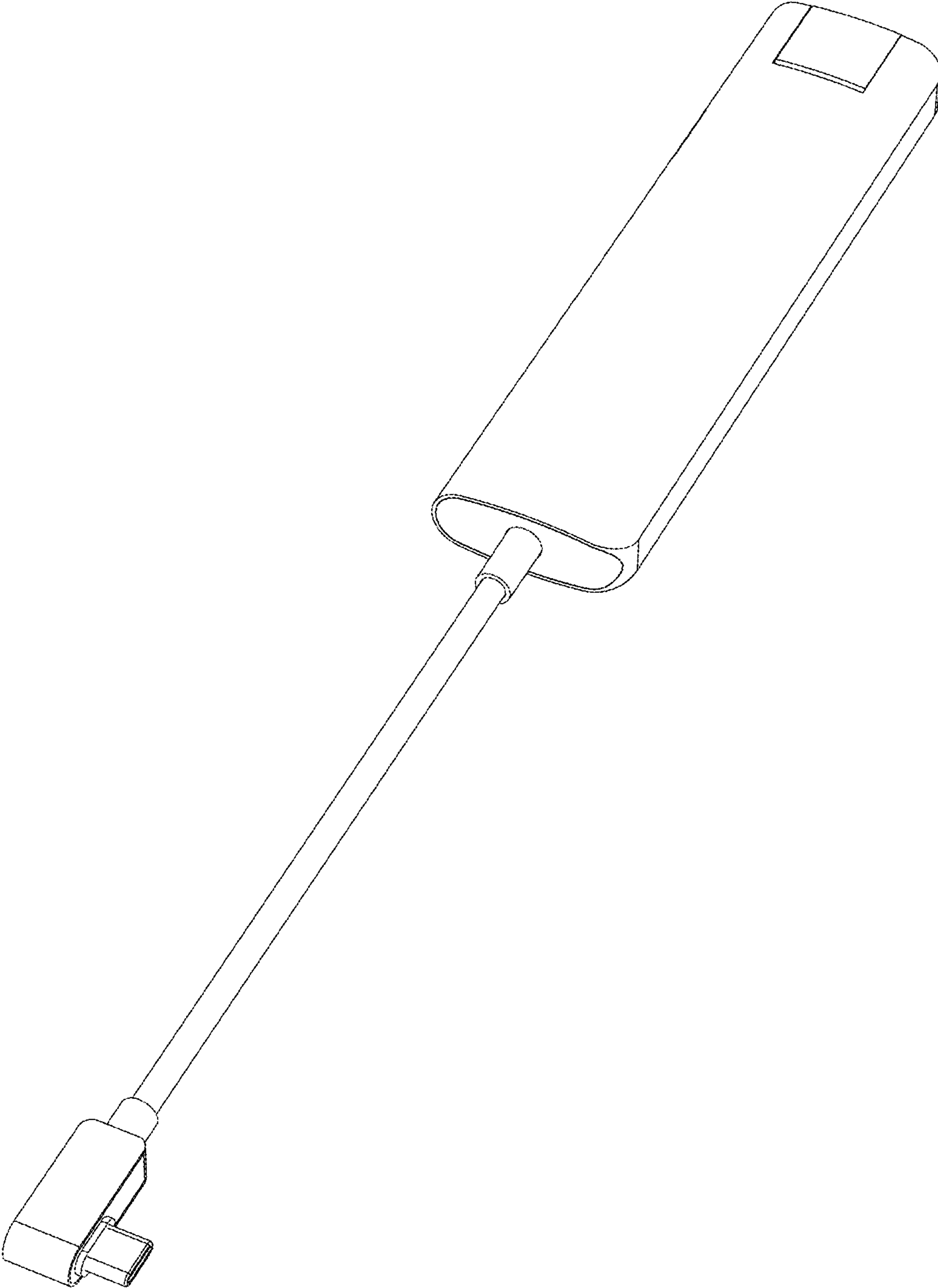


FIG. 2

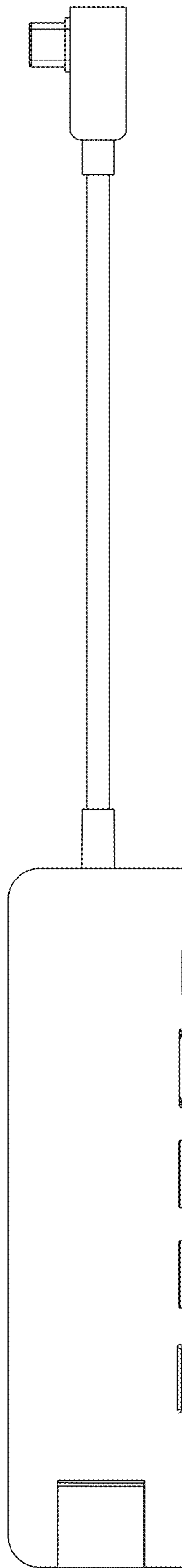


FIG. 3

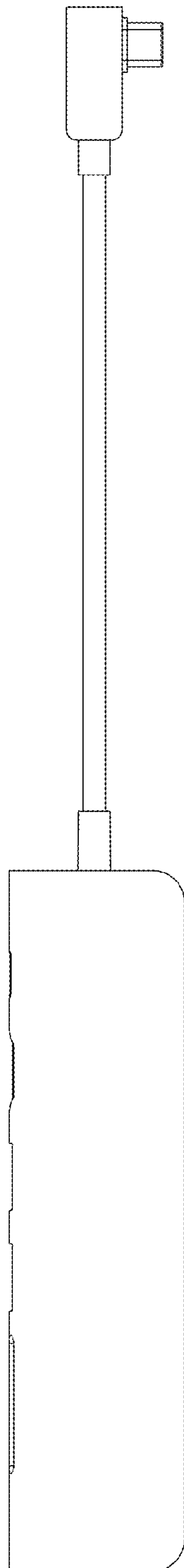


FIG. 4

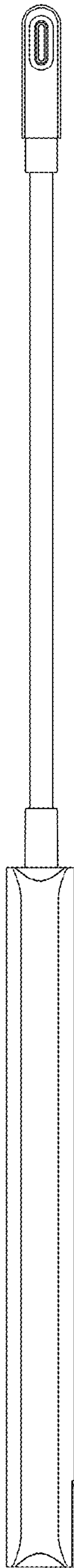


FIG. 5

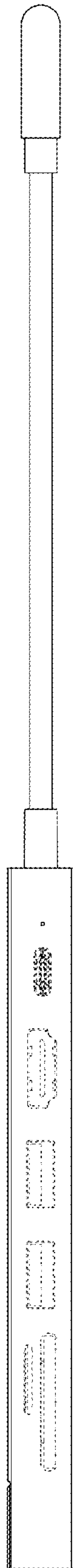


FIG. 6

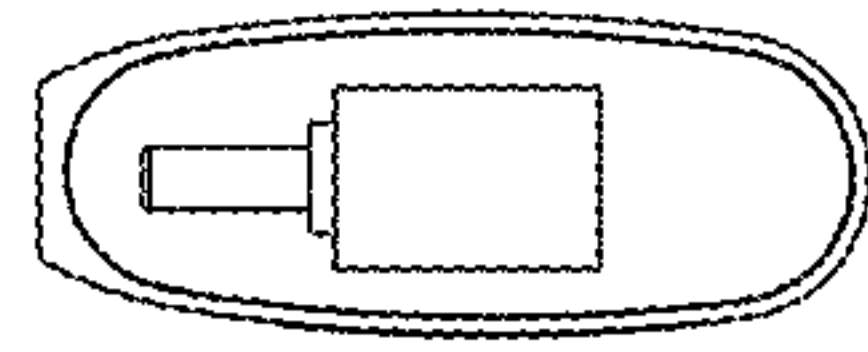


FIG. 7

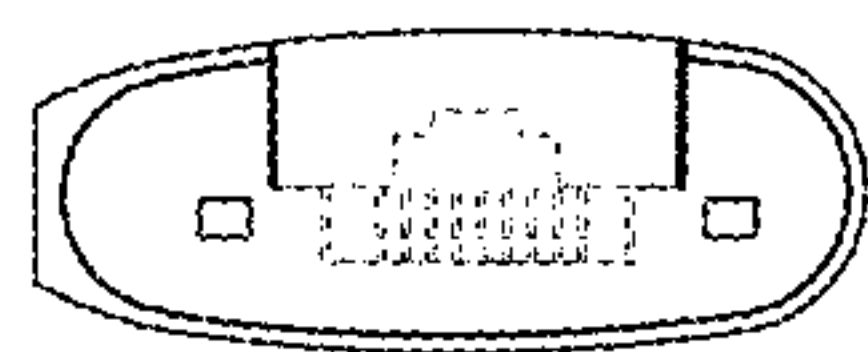


FIG. 8

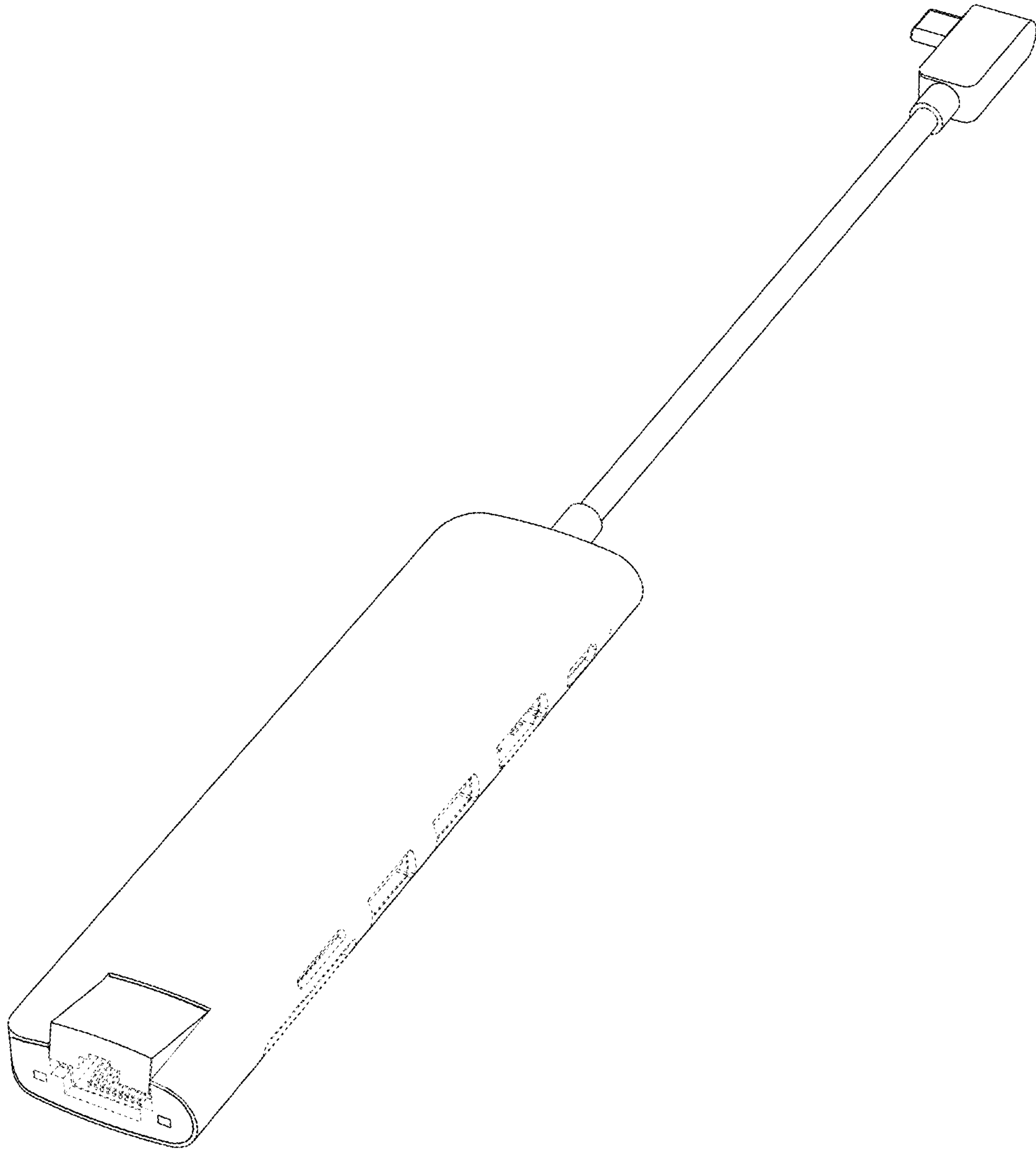


FIG. 9