



US00D929995S

(12) **United States Design Patent** (10) **Patent No.:** **US D929,995 S**
Peng (45) **Date of Patent:** **** Sep. 7, 2021**

- (54) **SCANNER**
- (71) Applicant: **AVISION INC.**, Hsinchu (TW)
- (72) Inventor: **Chao-Yu Peng**, Hsinchu (TW)
- (73) Assignee: **AVISION INC.**, Hsinchu (TW)
- (**) Term: **15 Years**
- (21) Appl. No.: **29/729,845**
- (22) Filed: **Mar. 31, 2020**
- (51) **LOC (13) Cl.** **14-02**
- (52) **U.S. Cl.**
USPC **D14/422**
- (58) **Field of Classification Search**
USPC D14/421-425; D18/40, 36-39, 41,
D18/44-56, 34.3; 235/462, 455, 470,
235/462.43, 482, 483; 358/474, 486, 488,
358/496, 498, 452, 449, 451, 453.1, 1.13,
358/1.16; 318/685, 696; 355/81, 75;
399/405, 367, 379, 380; 382/217;
715/209, 222, 226, 274; 400/613,
400/613.1-613.4, 690.1-690.4, 691-694;
271/264, 127, 131, 117, 118, 162
CPC H04N 1/00; H04N 1/12; H04N 1/00013;
H04N 1/00015; H04N 1/00018; H04N
1/00026; H04N 1/00557; H04N 1/00564;
H04N 1/00567; H04N 1/0057; H04N
1/00572; H04N 1/00586; H04N 1/00588;
H04N 1/00591; H04N 1/00594; H04N
1/00596; H04N 1/00604; H04N 1/00519;
H04N 1/00559; H04N 1/1013; H04N
1/10; H04N 1/00551; H04N 1/00278;
H04N 2201/0081; H04N 2201/0456;
H04N 2201/0446; H04N 2201/00; H04N
2201/0094; H04N 1/00525; H04N
1/0049; H04N 1/00493; H04N 1/00496;
H04N 1/00527; H04N 1/0053; H04N
1/00533; H04N 1/00535; H04N 1/00538;
H04N 1/00541; H04N 1/00543; H04N
1/00037; H04N 1/00092; H04N 1/00702;
H04N 1/02815; H04N 1/4076; H04N

1/40056; H04N 1/02845; G03G 15/0142;
G03G 15/605; G03G 15/602; B65H 5/26;
B65H

(Continued)

(56) **References Cited**

U.S. PATENT DOCUMENTS

D466,924 S * 12/2002 Wong D18/55
D516,620 S * 3/2006 Wong D18/55

(Continued)

FOREIGN PATENT DOCUMENTS

JP D1455422 11/2012

Primary Examiner — Susan Moon Lee

(74) *Attorney, Agent, or Firm* — Winston Hsu

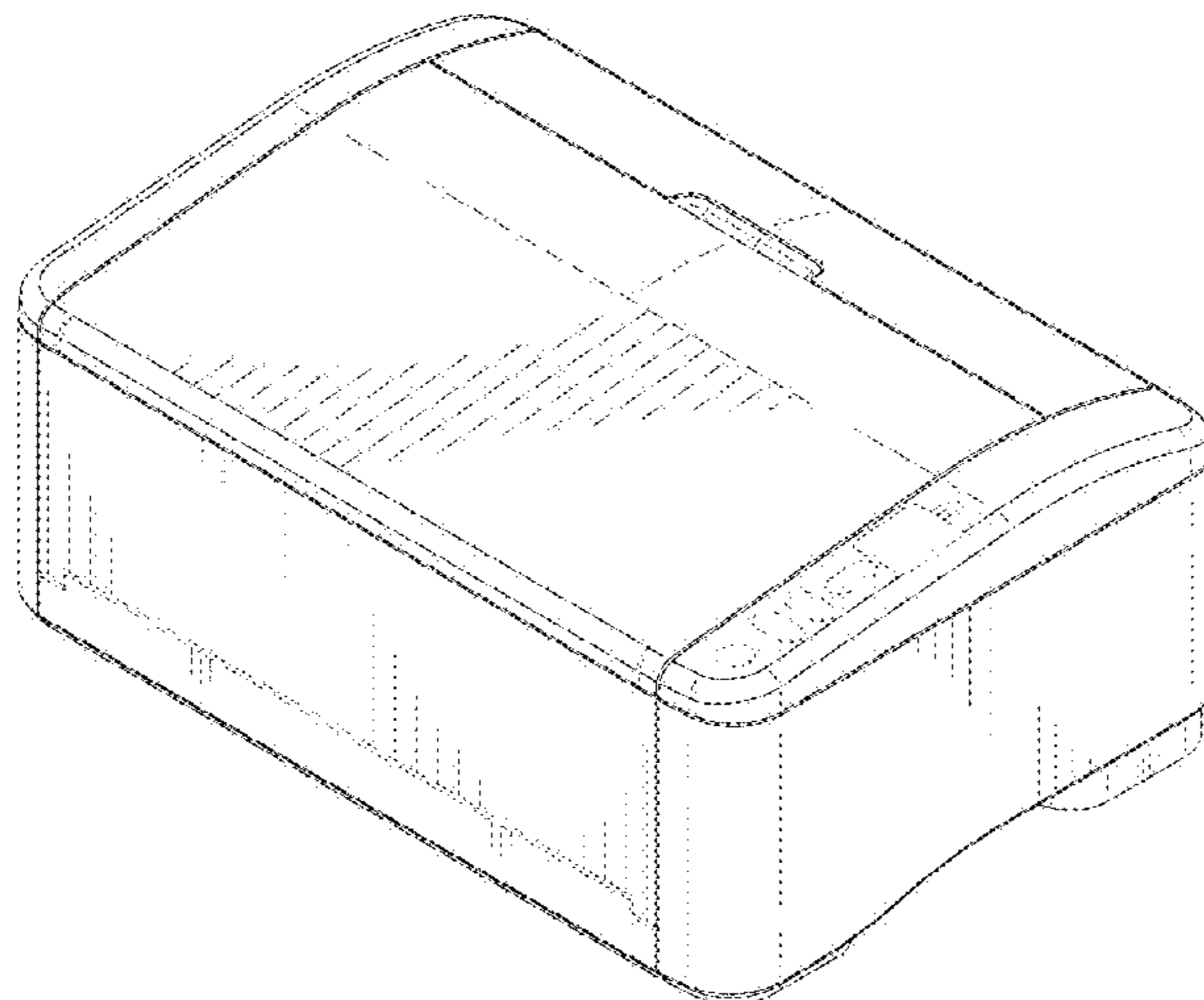
(57) **CLAIM**

The ornamental design for a scanner, as shown and described.

DESCRIPTION

FIG. 1 is a top, front, and right side perspective view of a scanner showing my new design;
FIG. 2 is a bottom, rear, and left side perspective view thereof;
FIG. 3 is a front elevation view thereof;
FIG. 4 is a rear elevation view thereof;
FIG. 5 is a left side elevation view thereof;
FIG. 6 is a right side elevation view thereof;
FIG. 7 is a top plan view thereof;
FIG. 8 is a bottom plan view thereof;
FIG. 9 is a top, front, and left side perspective view showing the scanner in an opened configuration;
FIG. 10 is a bottom, front, and right side perspective view thereof; and,
FIG. 11 is a left side elevation view thereof.
The broken lines depict portions of the scanner that form no part of the claimed design.

1 Claim, 11 Drawing Sheets



(58) **Field of Classification Search**

CPC 5/30; B65H 7/00; B65H 2402/515; B65H
 2402/31; B65H 2511/20; B65H 2511/414;
 B65H 2511/00194; B65H 2511/00198;
 B65H 2511/00202; B65H 2511/00206;
 B65H 2301/00; B65H 2220/04; B65H
 3/5261; B65H 2513/42

See application file for complete search history.

(56) **References Cited**

U.S. PATENT DOCUMENTS

7,681,984 B2 * 3/2010 Saito H04N 1/00543
 347/37
 7,722,033 B2 * 5/2010 Matsumoto B65H 1/02
 271/162
 7,731,350 B2 * 6/2010 Yamamoto B41J 13/103
 347/104
 D648,379 S * 11/2011 Ishikawa D18/50
 8,081,352 B2 * 12/2011 Ogushi H04N 1/00554
 358/474

D667,050 S * 9/2012 Takeuchi D18/50
 D682,328 S * 5/2013 Day D15/146
 D685,413 S * 7/2013 Jihoon D18/50
 8,564,852 B2 * 10/2013 Oshima H04N 1/00543
 358/474
 D723,562 S * 3/2015 Inada D14/422
 D735,723 S * 8/2015 He D14/422
 9,415,954 B2 * 8/2016 Ukai B65H 1/02
 D797,744 S * 9/2017 Tan D14/422
 D827,022 S * 8/2018 Yamashita D18/50
 D850,528 S * 6/2019 Gosselin D18/34.3
 10,421,301 B2 * 9/2019 Taketsugu B41J 29/54
 D893,600 S * 8/2020 Dwyer D18/50
 2008/0225347 A1 * 9/2008 Hwang H04N 1/00246
 358/474
 2013/0057932 A1 * 3/2013 Mukai H04N 1/00535
 358/498
 2013/0163056 A1 * 6/2013 Hanayama H04N 1/0005
 358/474
 2015/0294195 A1 * 10/2015 Shirota B41J 3/46
 358/1.8

* cited by examiner

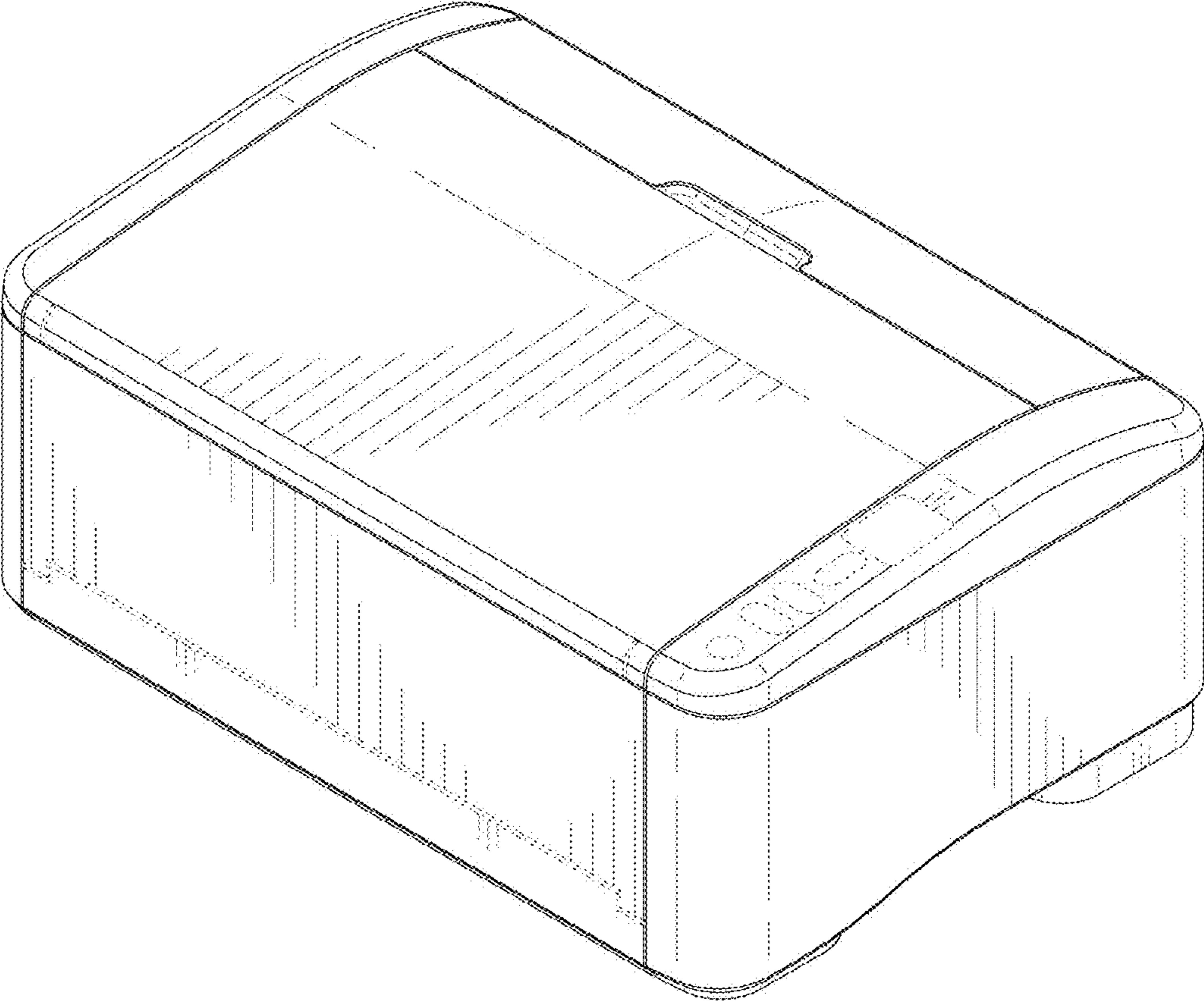


FIG. 1

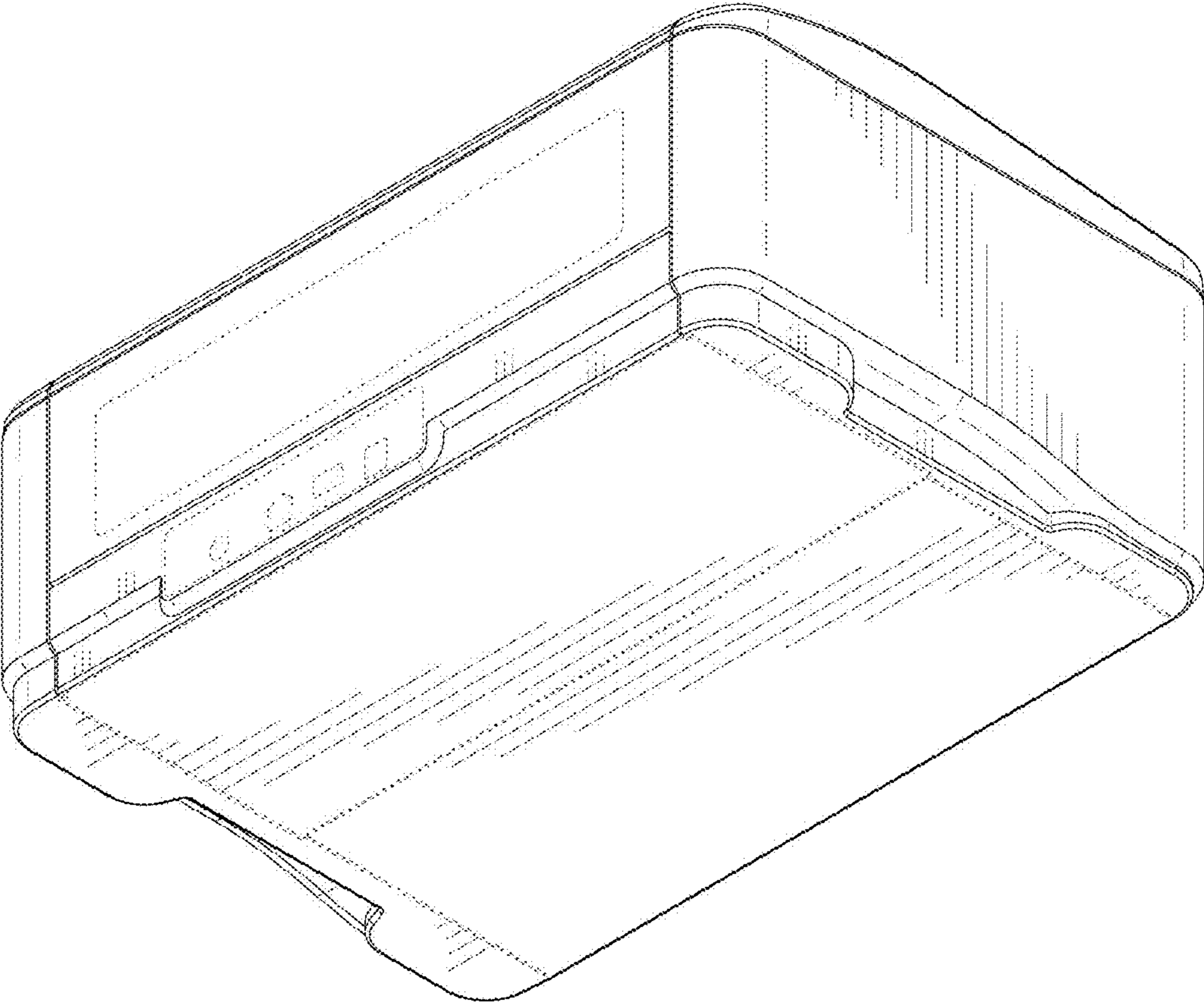


FIG. 2

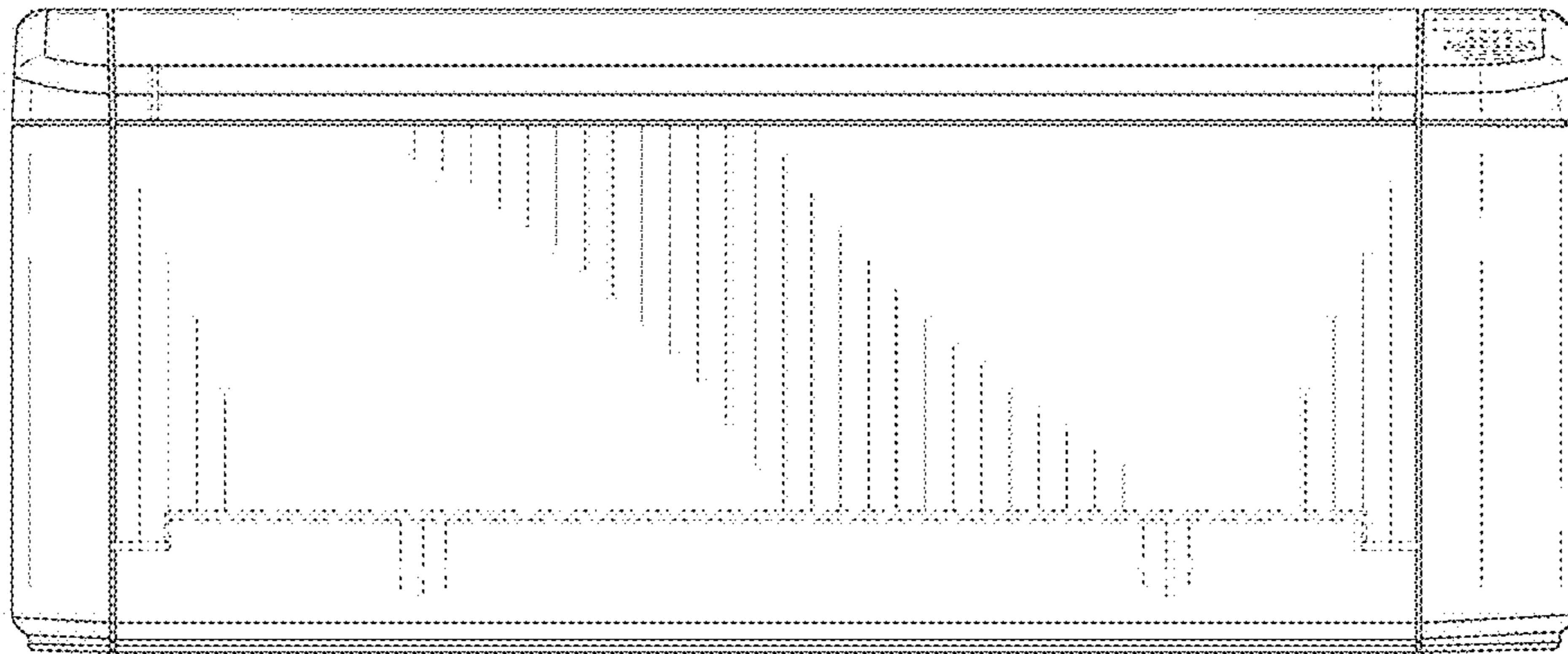


FIG. 3

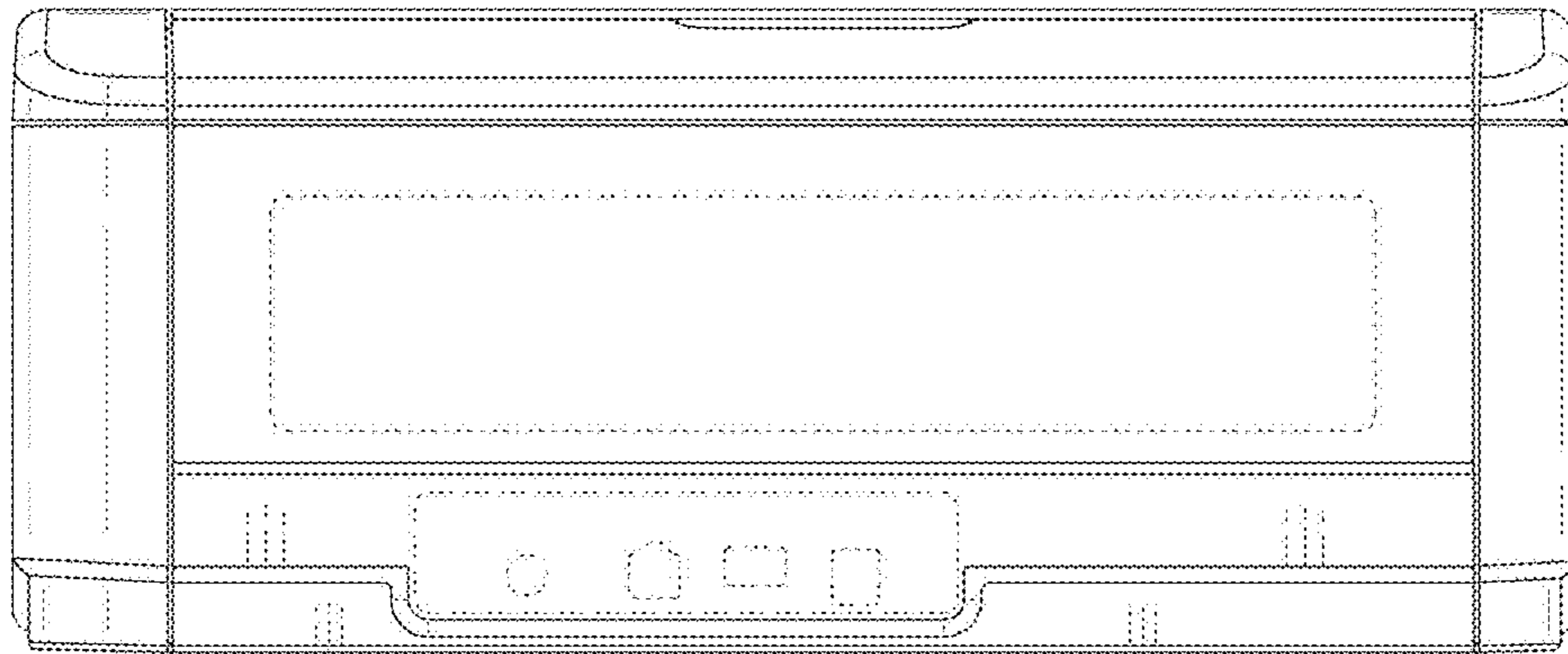


FIG. 4

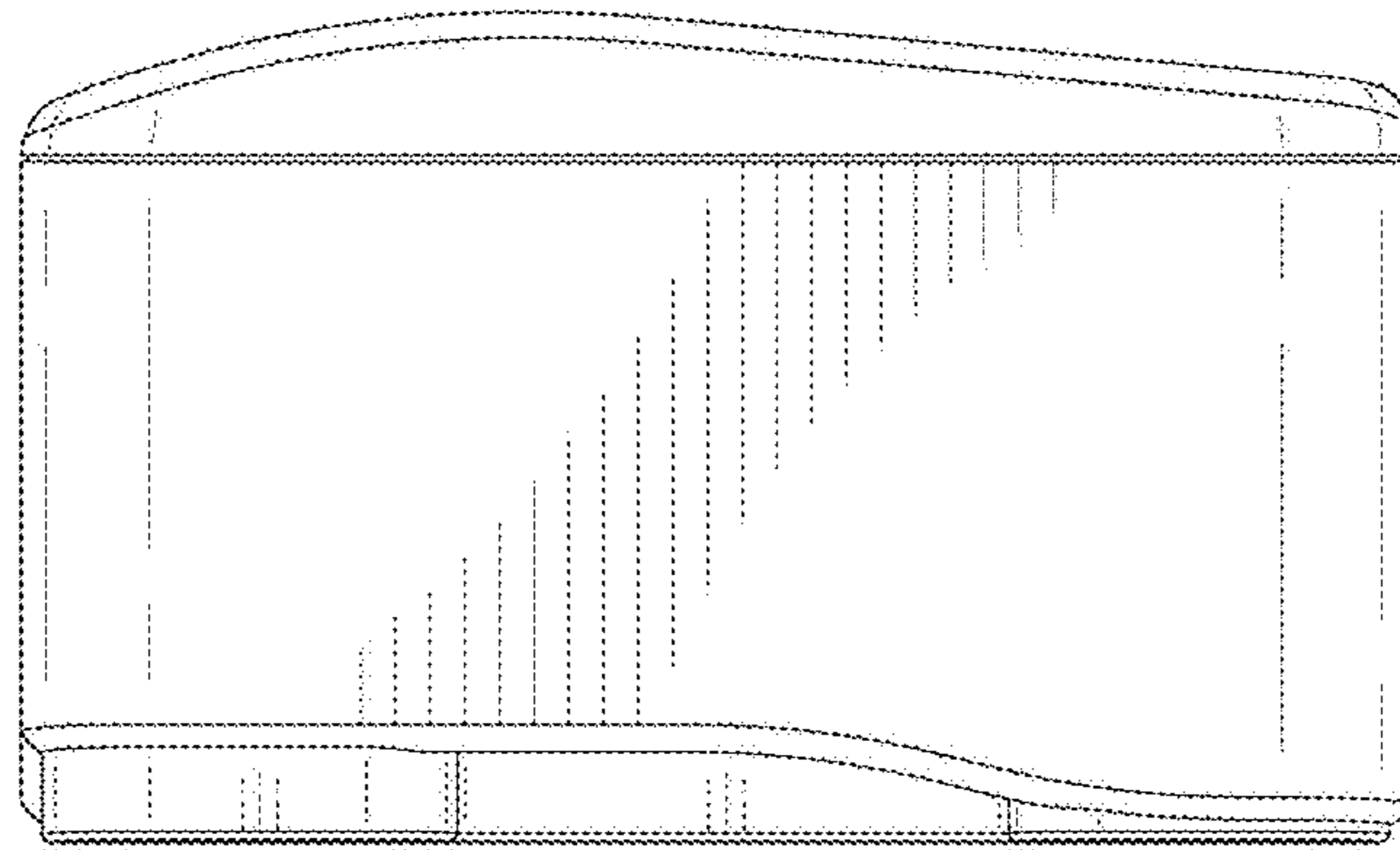


FIG. 5

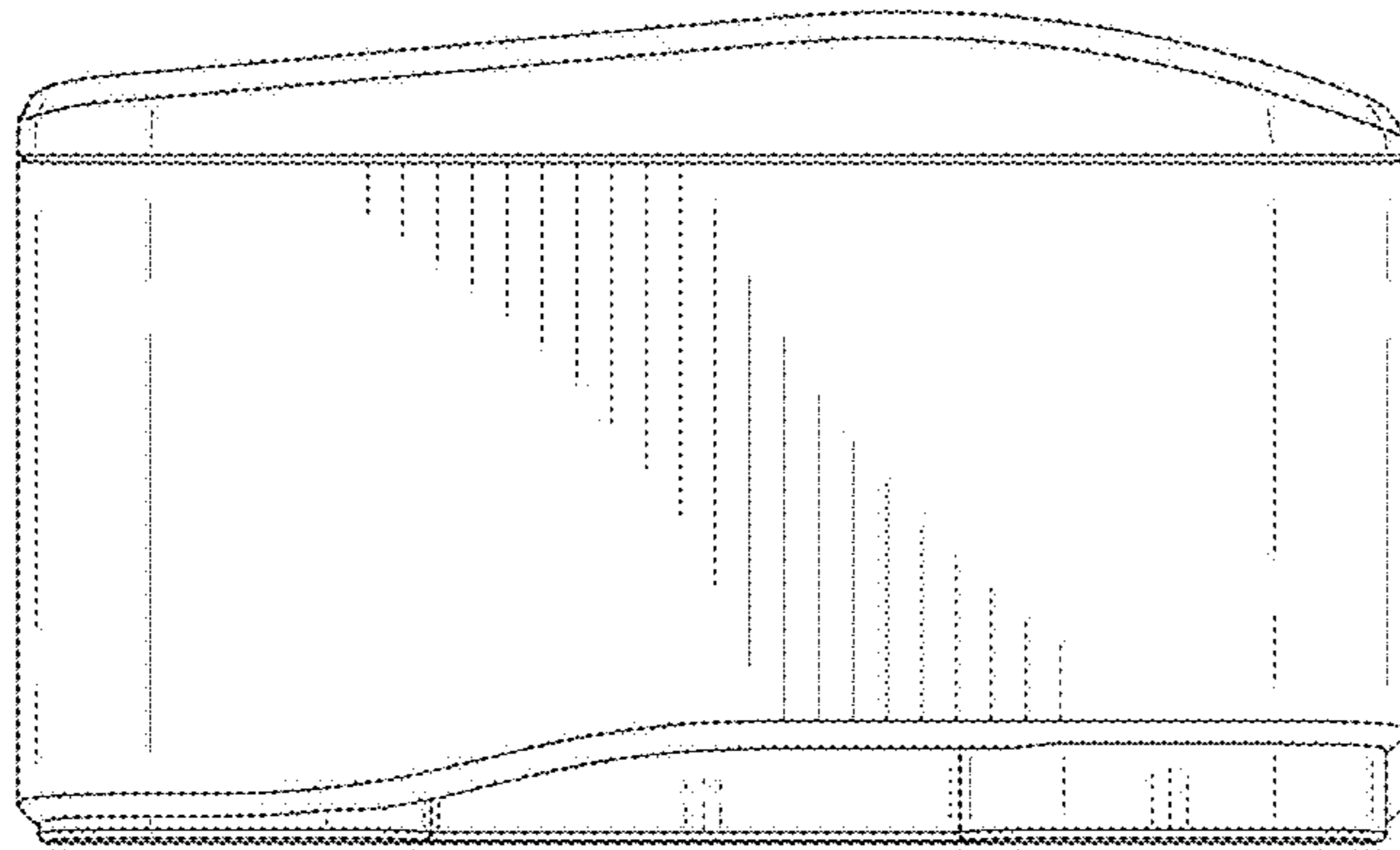


FIG. 6

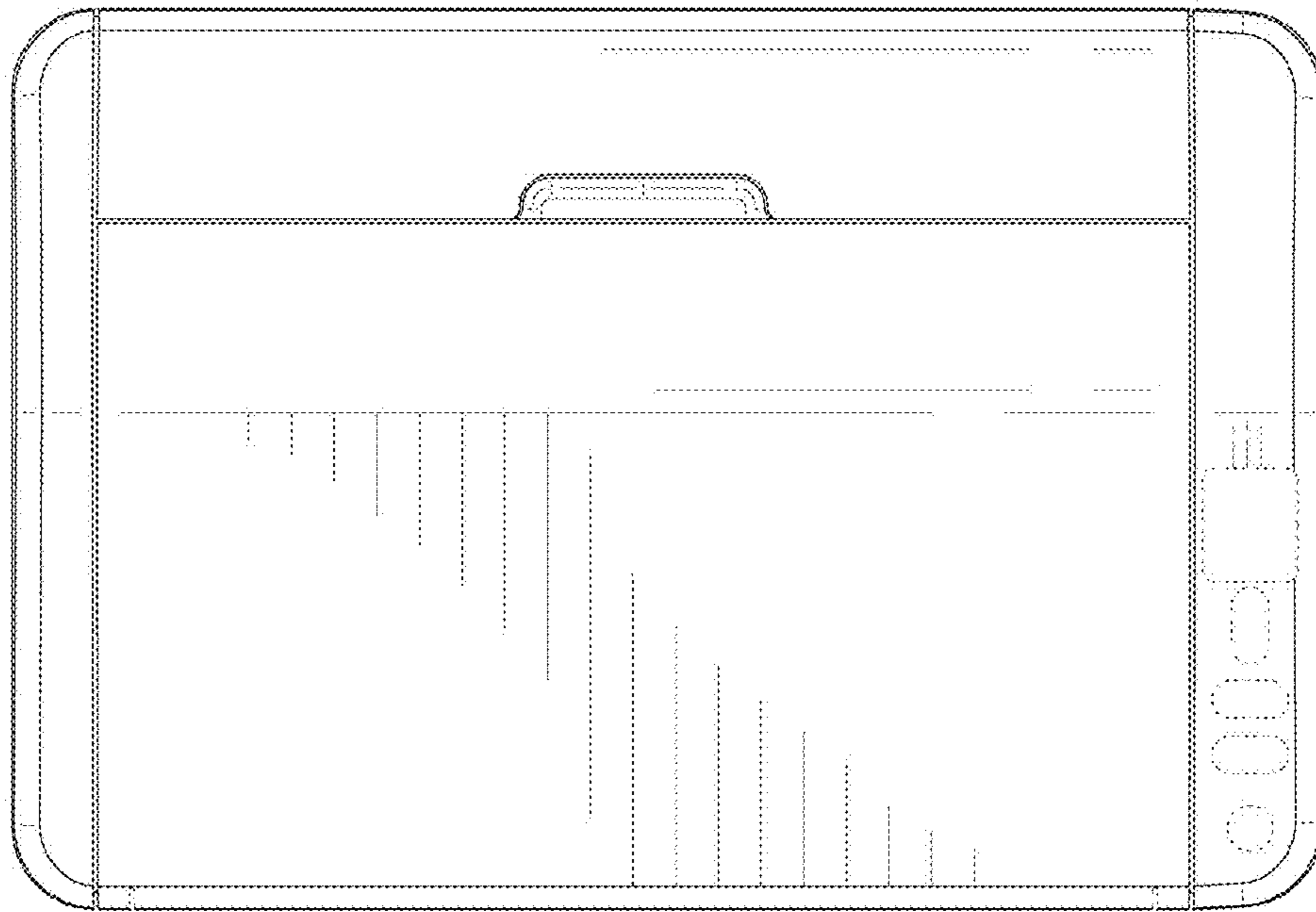


FIG. 7



FIG. 8

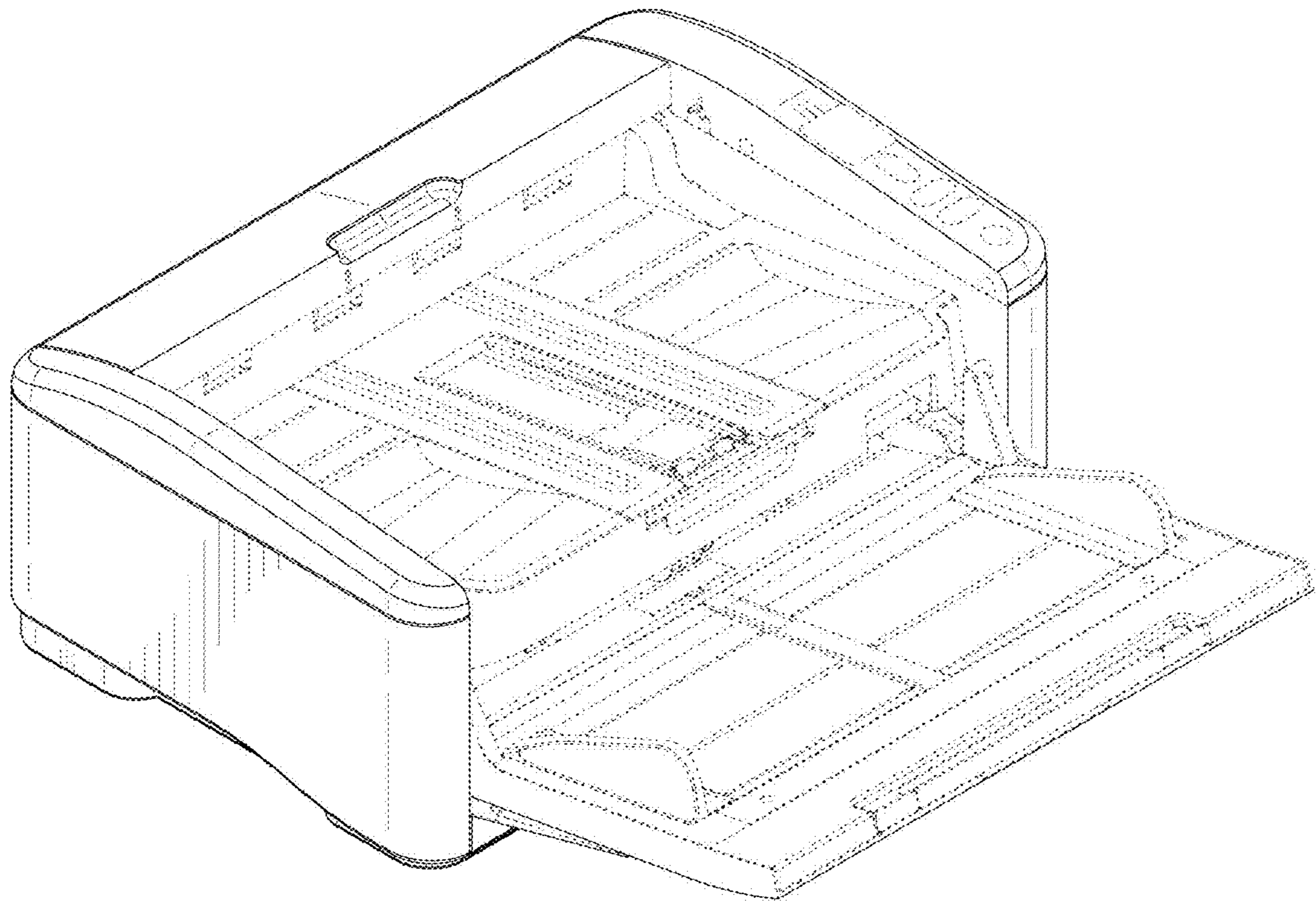


FIG. 9

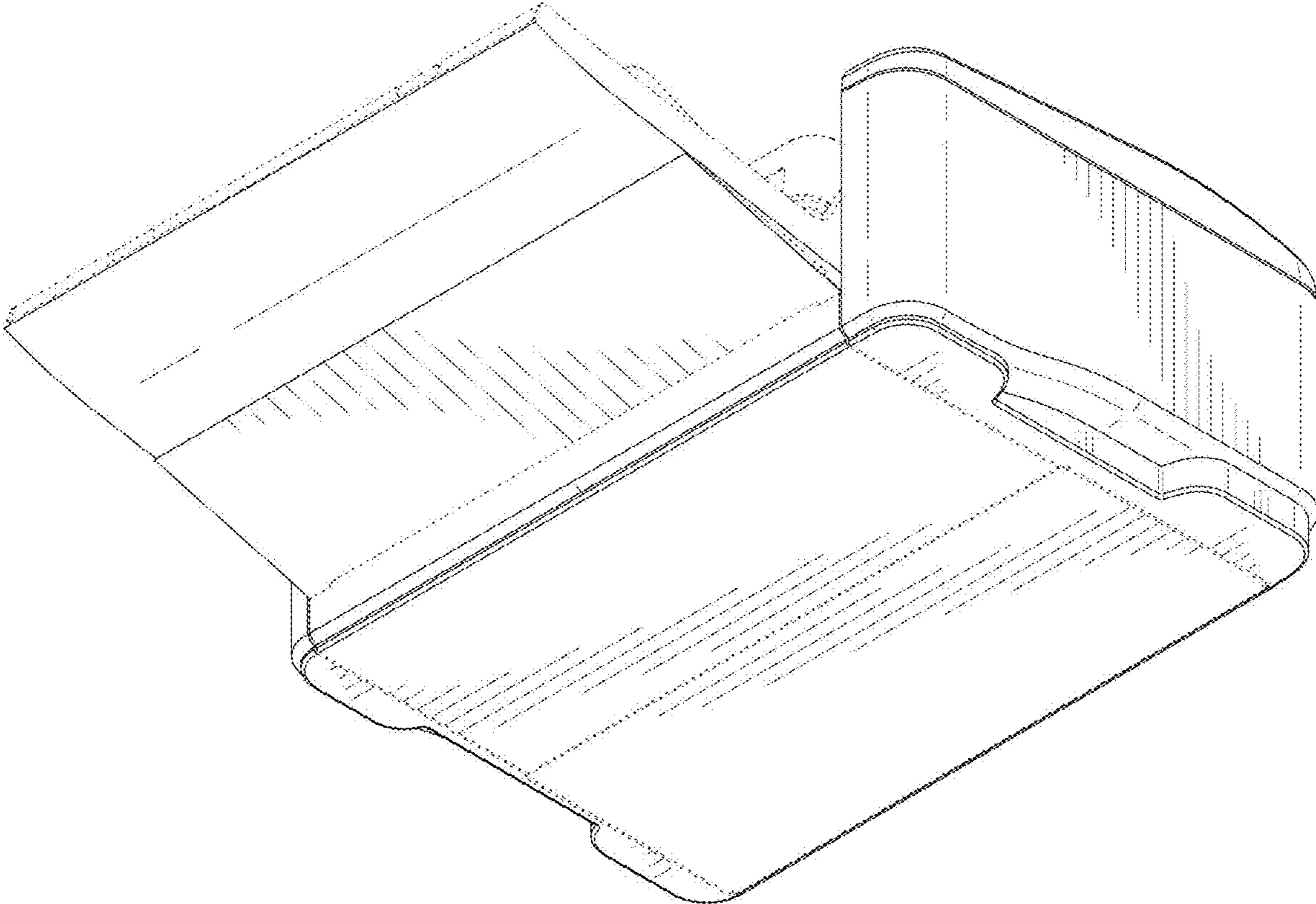


FIG. 10

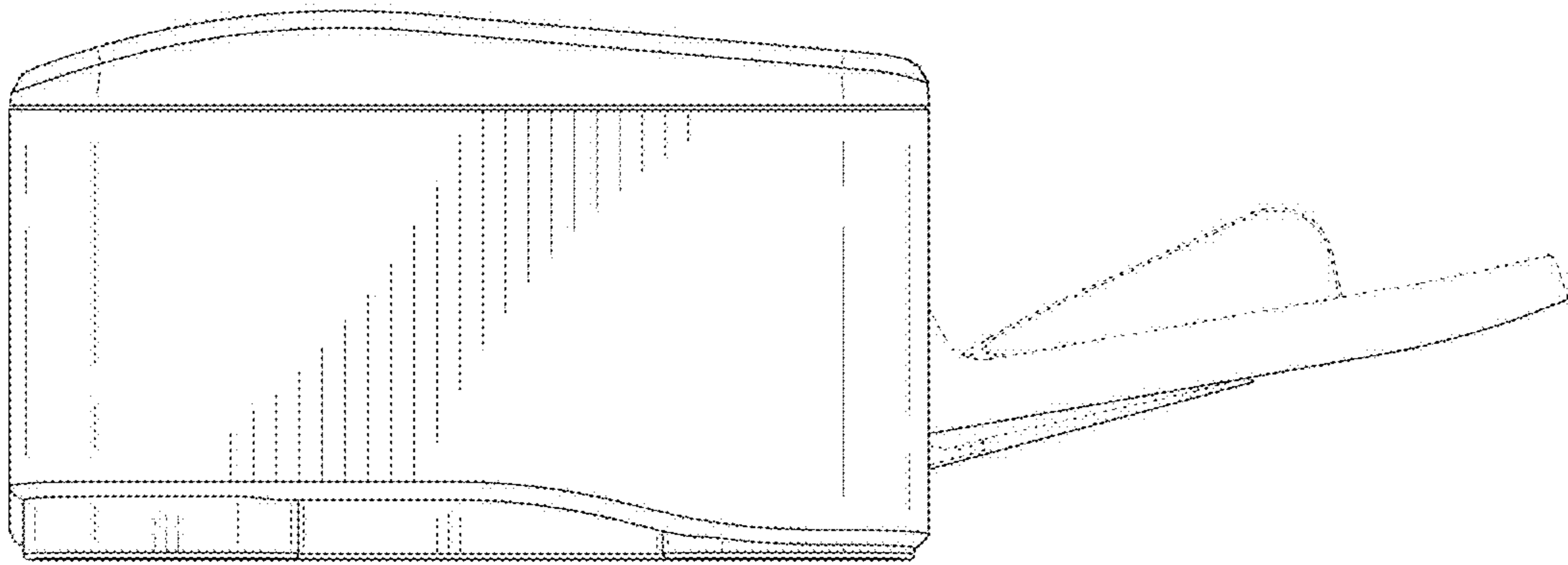


FIG. 11